



US00D709453S

(12) **United States Design Patent**
Tada et al.

(10) **Patent No.:** **US D709,453 S**
(45) **Date of Patent:** **** Jul. 22, 2014**

(54) **PLUG CONNECTOR**

(75) Inventors: **Hiroyuki Tada**, Tokyo (JP); **Tsuyoshi Kawashima**, Tokyo (JP); **Atsushi Yamaguchi**, Tokyo (JP)

(73) Assignee: **Fujikura Ltd.**, Tokyo (JP)

(**) Term: **14 Years**

(21) Appl. No.: **29/427,339**

(22) Filed: **Jul. 17, 2012**

(30) **Foreign Application Priority Data**

Feb. 7, 2012 (JP) 2012-002467

(51) **LOC (10) Cl.** **13-03**

(52) **U.S. Cl.**
USPC **D13/147**

(58) **Field of Classification Search**
USPC D13/147, 154, 184, 199; 439/108, 135, 439/180, 246, 278, 291, 344, 374, 378, 381, 439/391, 509, 527, 529, 530, 533, 587, 594, 439/598, 607.01, 607.04, 607.17, 607.25, 439/607.34, 607.41, 607.53, 626, 637, 656, 439/660, 668, 676, 680, 711, 745, 752, 892, 439/894

See application file for complete search history.

(56) **References Cited**

U.S. PATENT DOCUMENTS

5,274,729	A	*	12/1993	King et al.	385/134
D447,464	S	*	9/2001	Bosatelli	D13/146
D556,688	S	*	12/2007	Shogaki et al.	D13/133
D589,884	S	*	4/2009	Arai et al.	D13/133
D639,743	S	*	6/2011	Smith et al.	D13/146

* cited by examiner

Primary Examiner — Daniel Bui

(74) *Attorney, Agent, or Firm* — Nixon & Vanderhye P.C.

(57) **CLAIM**

The ornamental design for a plug connector, as shown and described.

DESCRIPTION

FIG. 1 is a top, front, and right side perspective view of a plug connector showing our new design.

FIG. 2 is a top, front and left side perspective view thereof.

FIG. 3 is a bottom, front, and right side perspective view thereof.

FIG. 4 is a bottom, front and left side perspective view thereof.

FIG. 5 is a front elevation view thereof.

FIG. 6 is a rear elevation view thereof.

FIG. 7 is a top plan view thereof.

FIG. 8 is a bottom plan view thereof.

FIG. 9 is a left side elevation view thereof; and,

FIG. 10 is a right side elevation view thereof.

The portions of the plug connector shown in broken lines are for the purpose of showing environmental structure only and form no part of the claimed design.

1 Claim, 10 Drawing Sheets

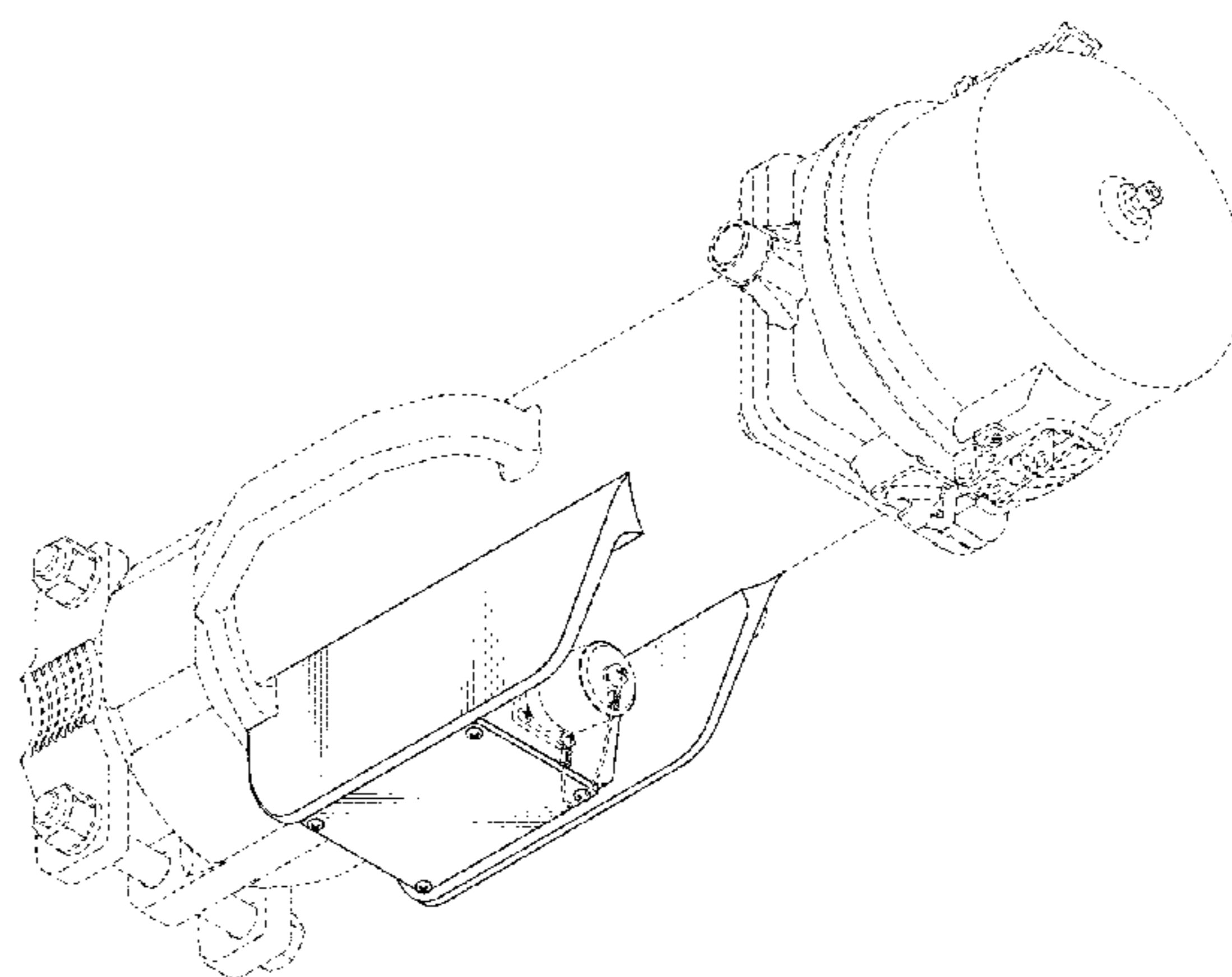
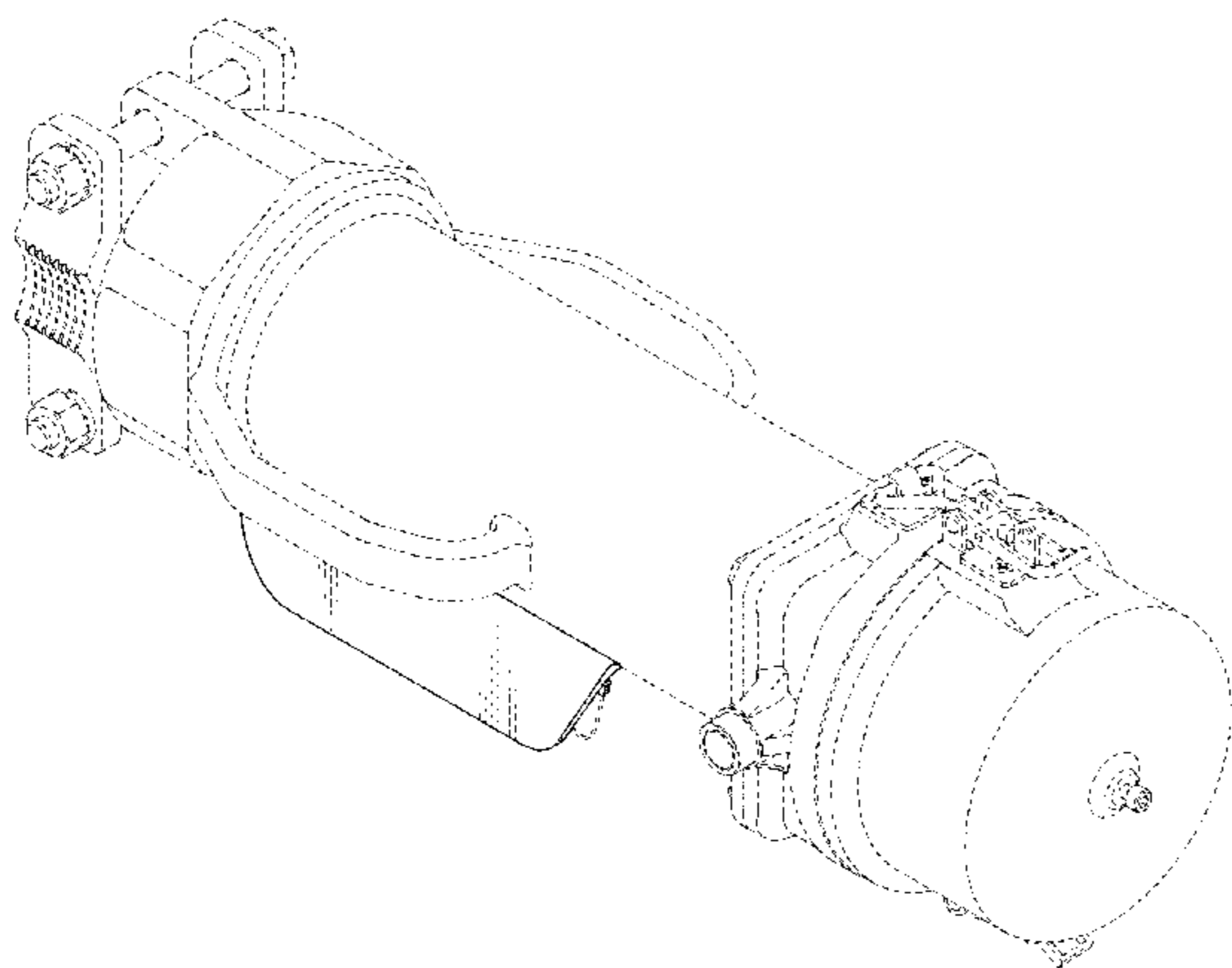


FIG. 1

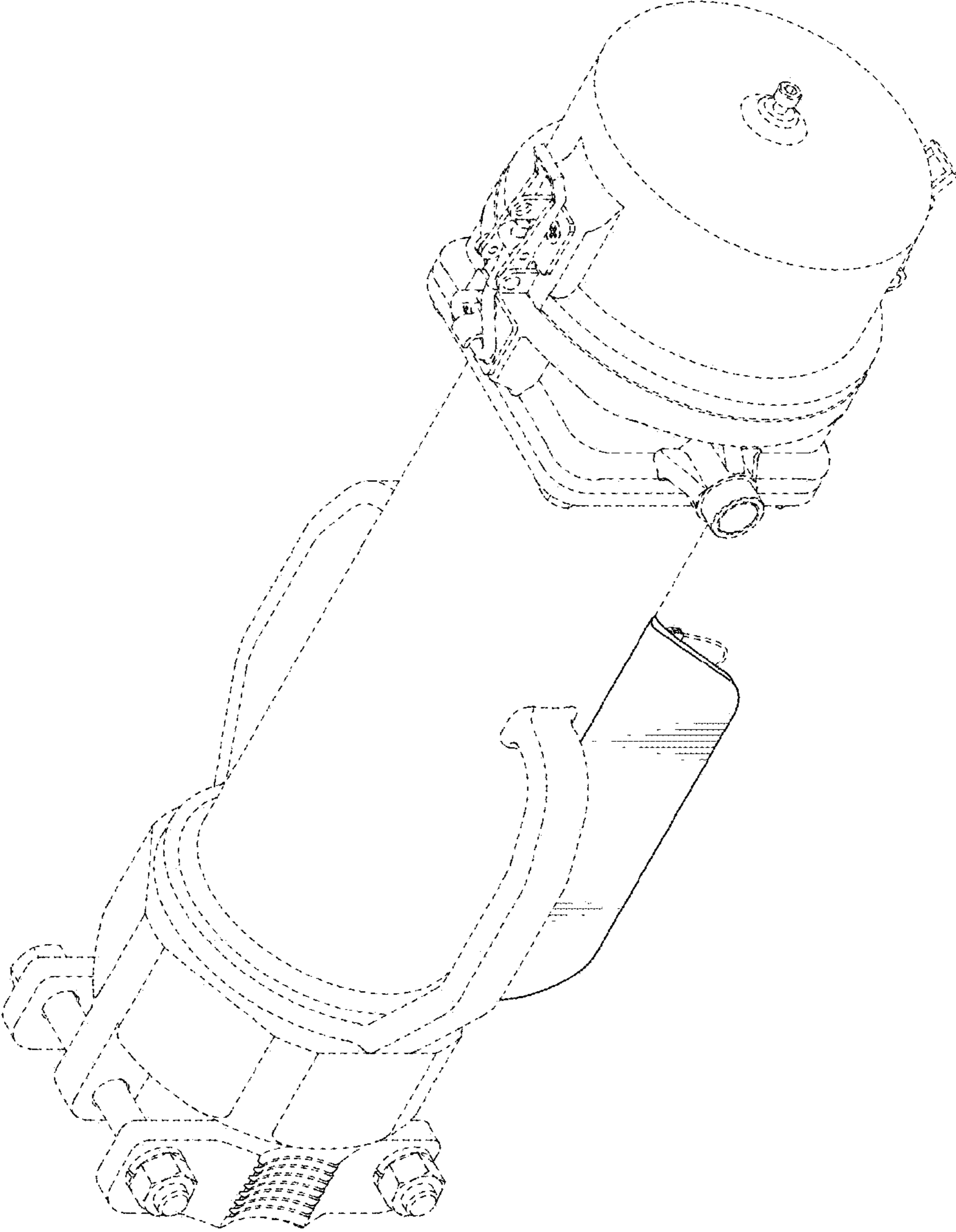


FIG. 2

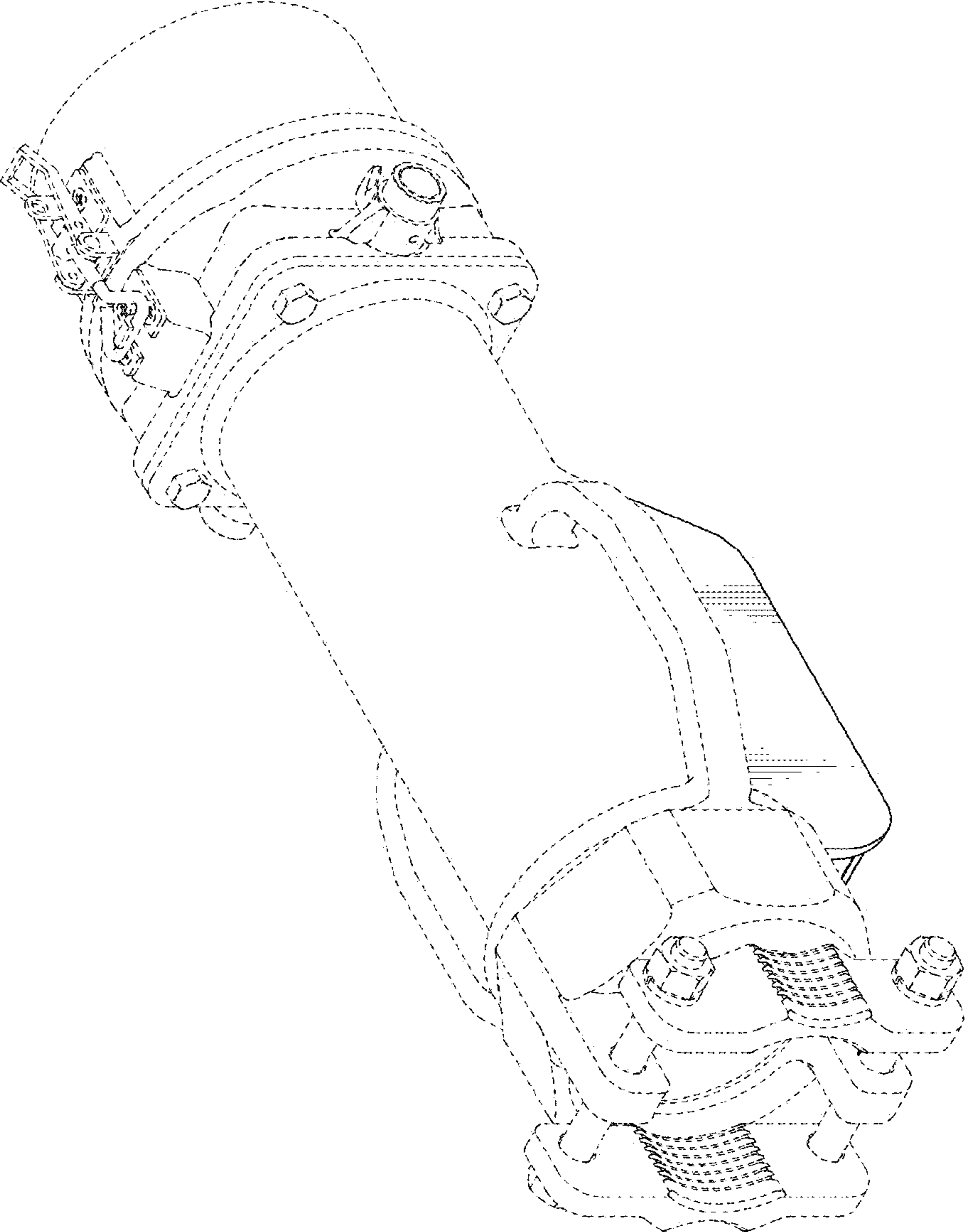


FIG. 3

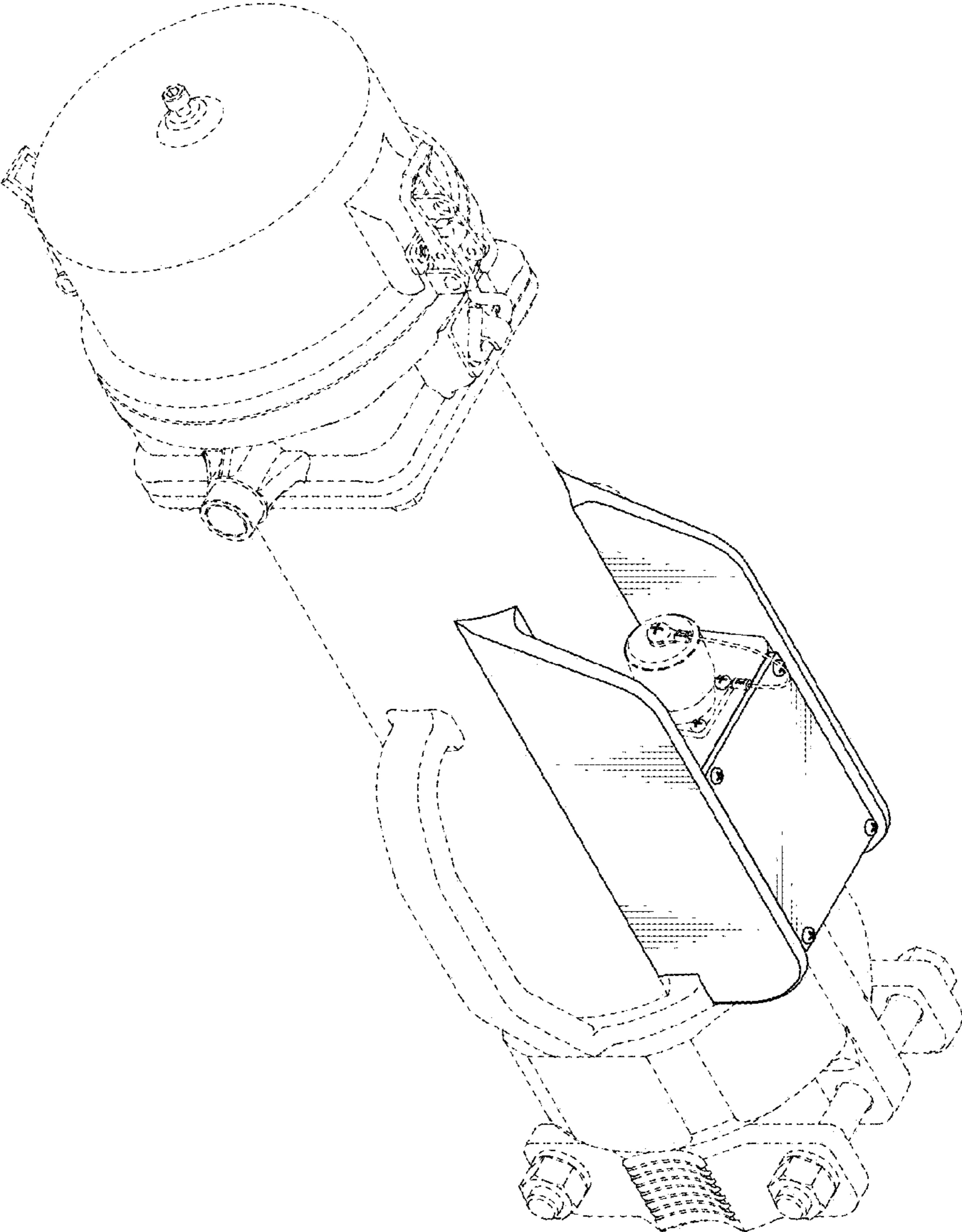


FIG. 4

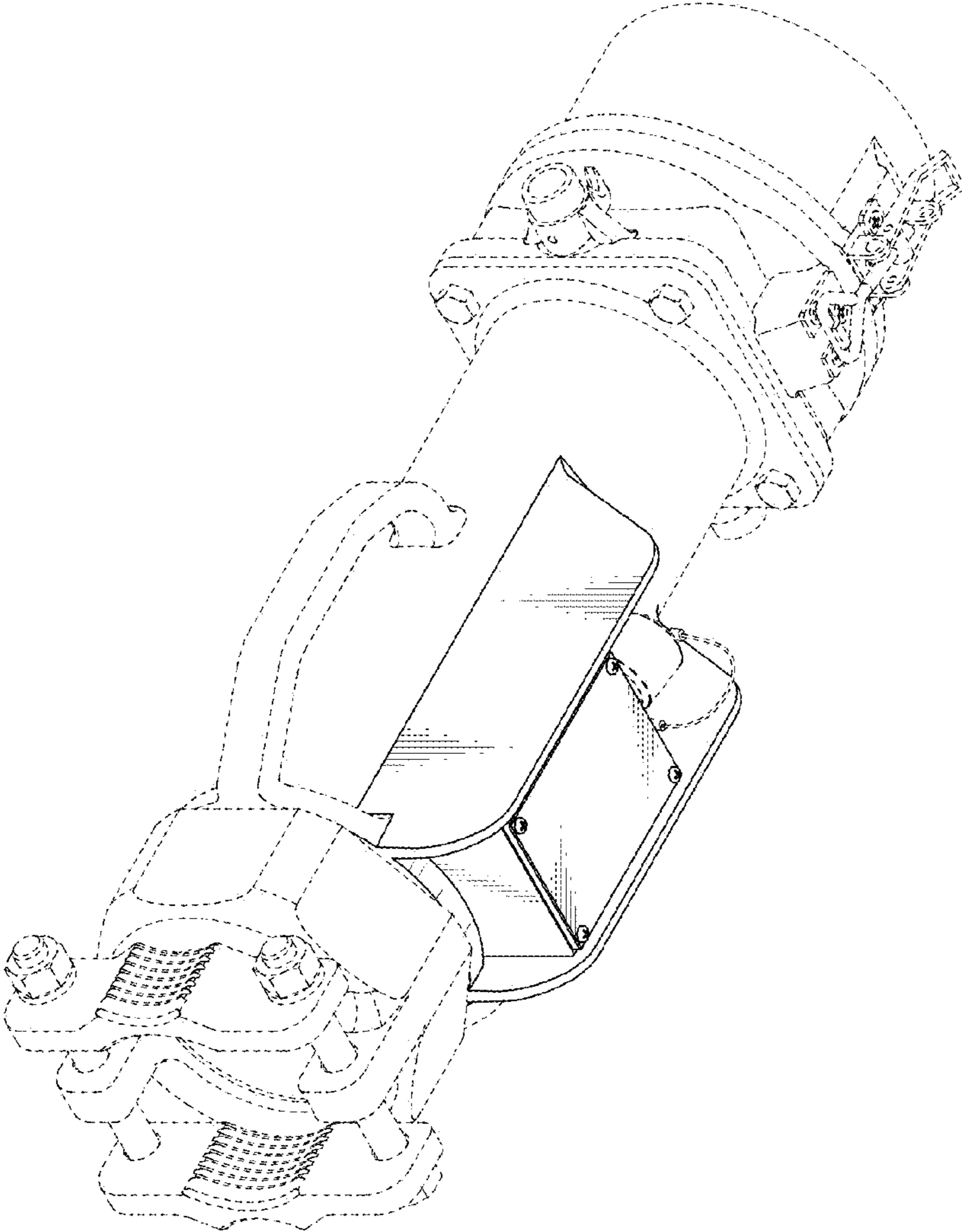


FIG. 5

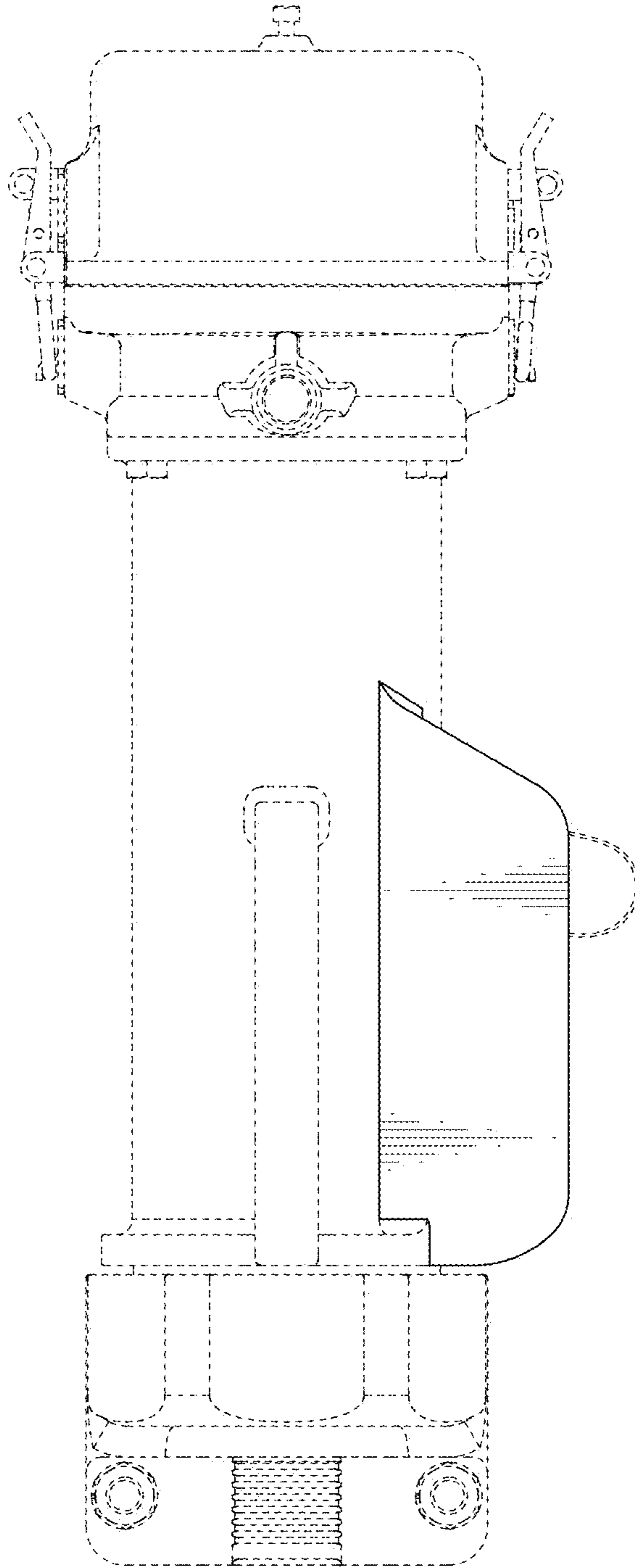


FIG. 6

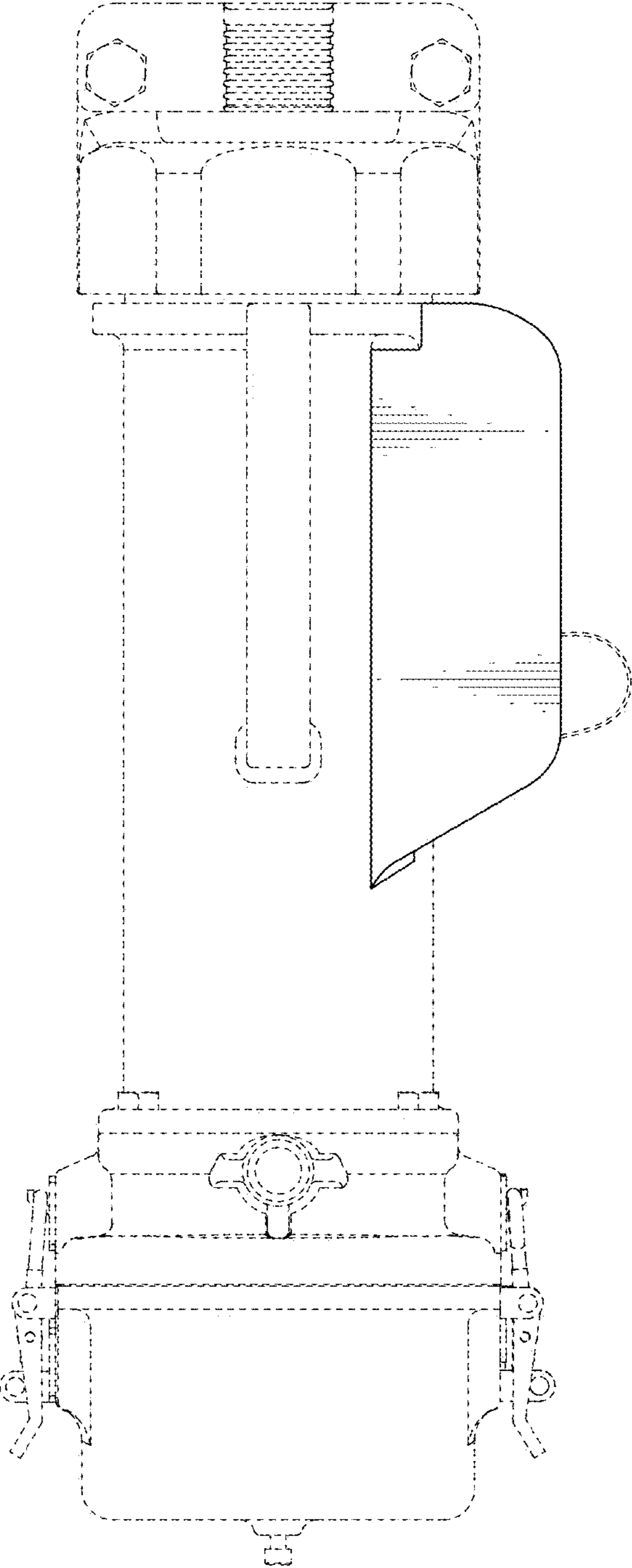


FIG. 7

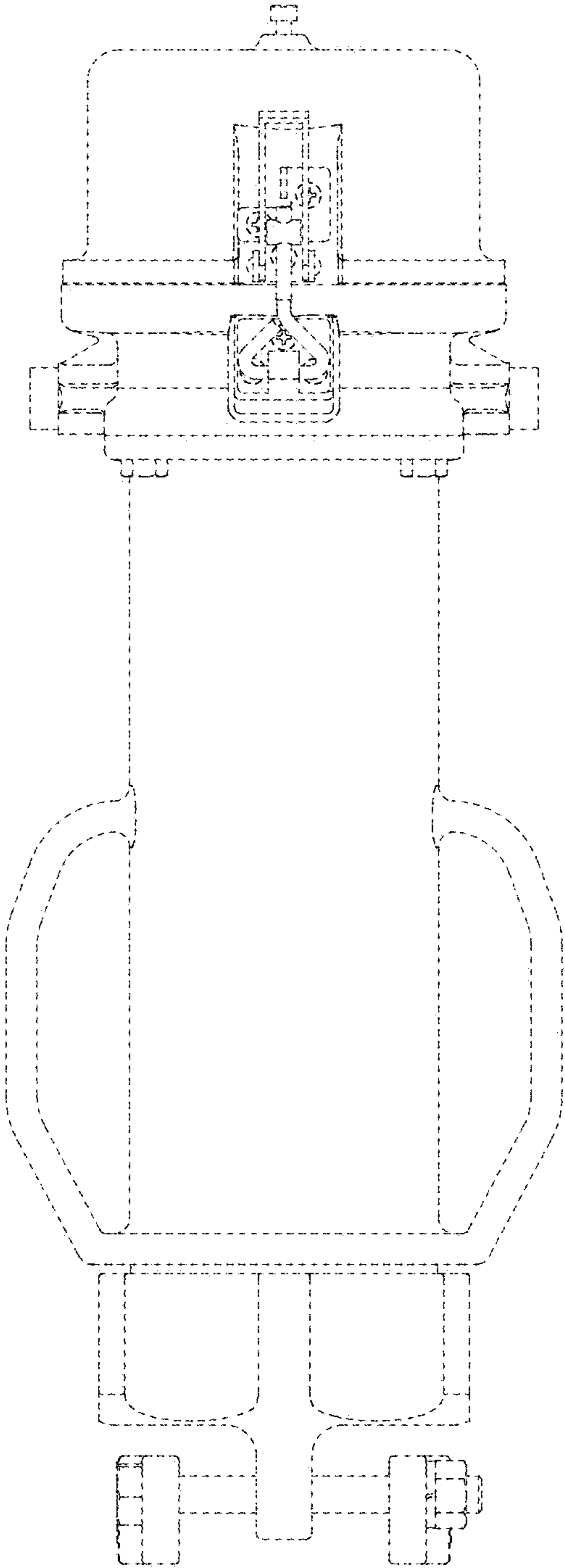


FIG. 8

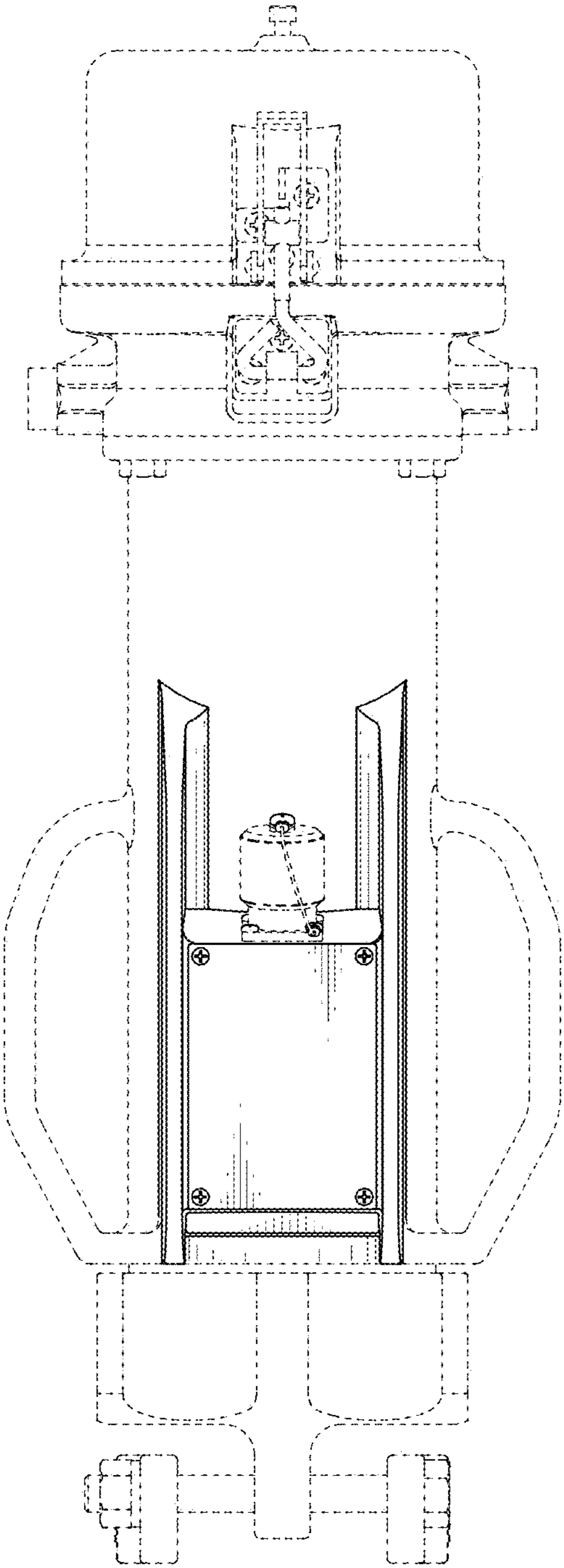


FIG. 9

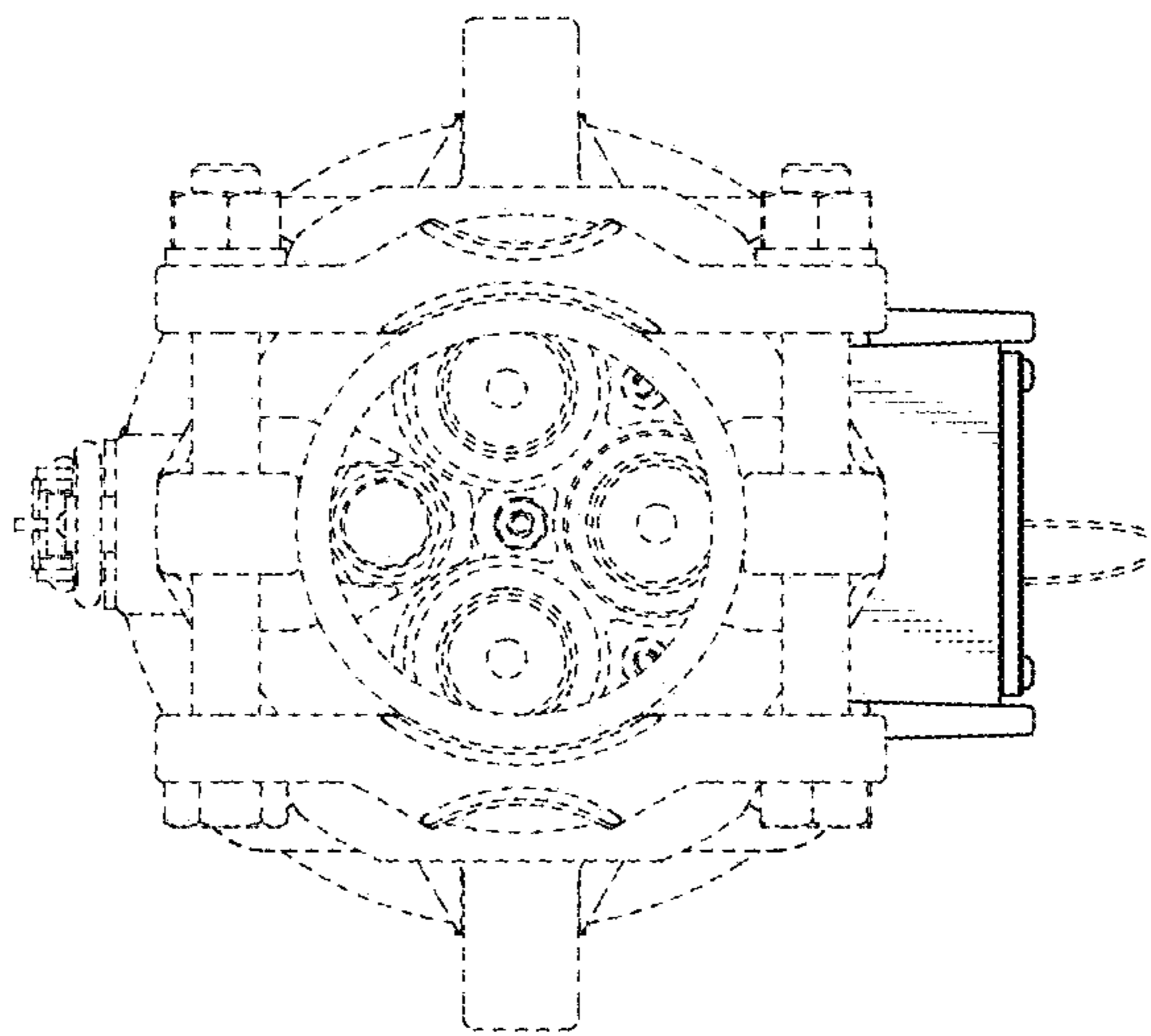


FIG. 10

