



US00D709452S

(12) **United States Design Patent**  
**Mogensen et al.**

(10) **Patent No.:** **US D709,452 S**  
(45) **Date of Patent:** **\*\* Jul. 22, 2014**

(54) **WIND TURBINE STRUCTURE**

(56) **References Cited**

- (71) Applicant: **Vestas Wind Systems A/S**, Aarhus N. (DK)
- (72) Inventors: **Morten Mogensen**, Bramming (DK);  
**Mazyar Abolfazlian**, Brabrand (DK);  
**Mads Damgaard**, Lystrup (DK); **Jesper Nyvad**, Ega (DK)
- (73) Assignee: **Vestas Wind Systems A/S**, Aarhus N. (DK)
- (\*\*) Term: **14 Years**
- (21) Appl. No.: **29/477,745**
- (22) Filed: **Dec. 26, 2013**

U.S. PATENT DOCUMENTS

D271,303	S	*	11/1983	Ovelmen	.....	D15/1
5,354,175	A	*	10/1994	Coleman et al.	.....	416/9
D401,211	S	*	11/1998	Simpson	.....	D12/223
D517,986	S	*	3/2006	Wobben	.....	D13/115
D602,861	S	*	10/2009	Talab	.....	D13/115
D611,887	S	*	3/2010	Peschmann	.....	D12/223
2002/0153728	A1	*	10/2002	Groppel	.....	290/44

\* cited by examiner

*Primary Examiner* — Derrick Holland

(74) *Attorney, Agent, or Firm* — Wood, Herron & Evans, LLP

(57) **CLAIM**

The ornamental design for a wind turbine structure, as shown and described.

**DESCRIPTION**

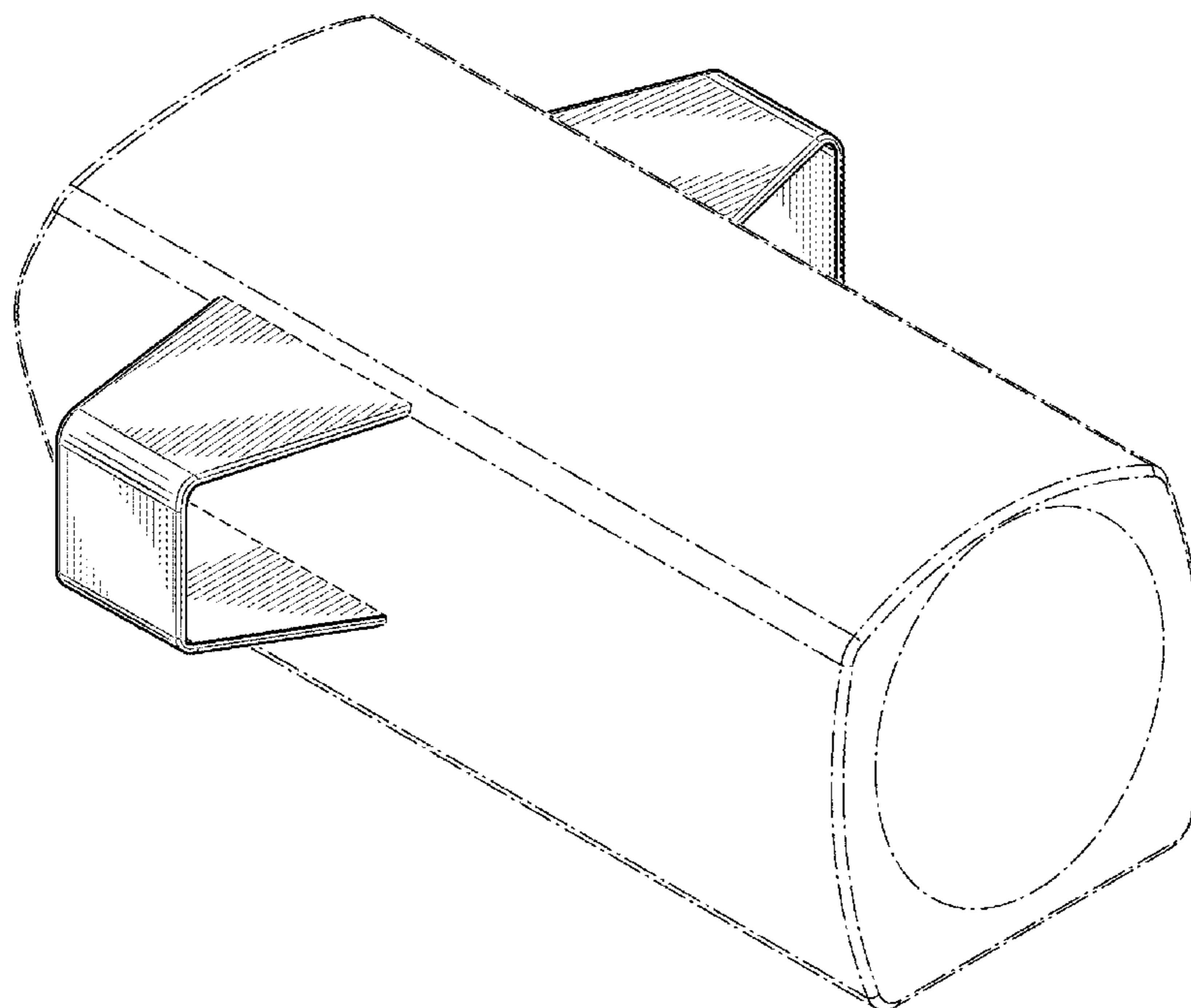
FIG. 1 is a perspective view of a wind turbine structure showing our new design;  
 FIG. 2 is a second perspective view thereof;  
 FIG. 3 is a top plan view thereof;  
 FIG. 4 is a bottom plan view thereof;  
 FIG. 5 is a front elevation view thereof;  
 FIG. 6 is a back elevation view thereof;  
 FIG. 7 is a cross-sectional view thereof taken along line 7-7 of FIG. 3; and,  
 FIG. 8 is a left side view thereof, the right side view being a mirror image of the left side view.  
 The broken lines shown represent unclaimed subject matter and form no part of the claimed design.

**Related U.S. Application Data**

- (62) Division of application No. 29/388,519, filed on Mar. 30, 2011, now Pat. No. Des. 698,726.
- (51) **LOC (10) Cl.** ..... **13-01**
- (52) **U.S. Cl.**  
USPC ..... **D13/115**
- (58) **Field of Classification Search**  
USPC ..... D13/115, 118, 122, 199; D12/319, 344, D12/345; D15/1, 199; D21/458; 290/44, 52, 290/54, 55; 415/2.1, 4.2, 4.5, 7, 907, 916; 416/1, 7, 9, 16, 24, 31, 37, 38, 132 B, 416/132 R, 141, 142, 176, 177, 196 A, 243; D8/70, 349, 354

See application file for complete search history.

**1 Claim, 7 Drawing Sheets**



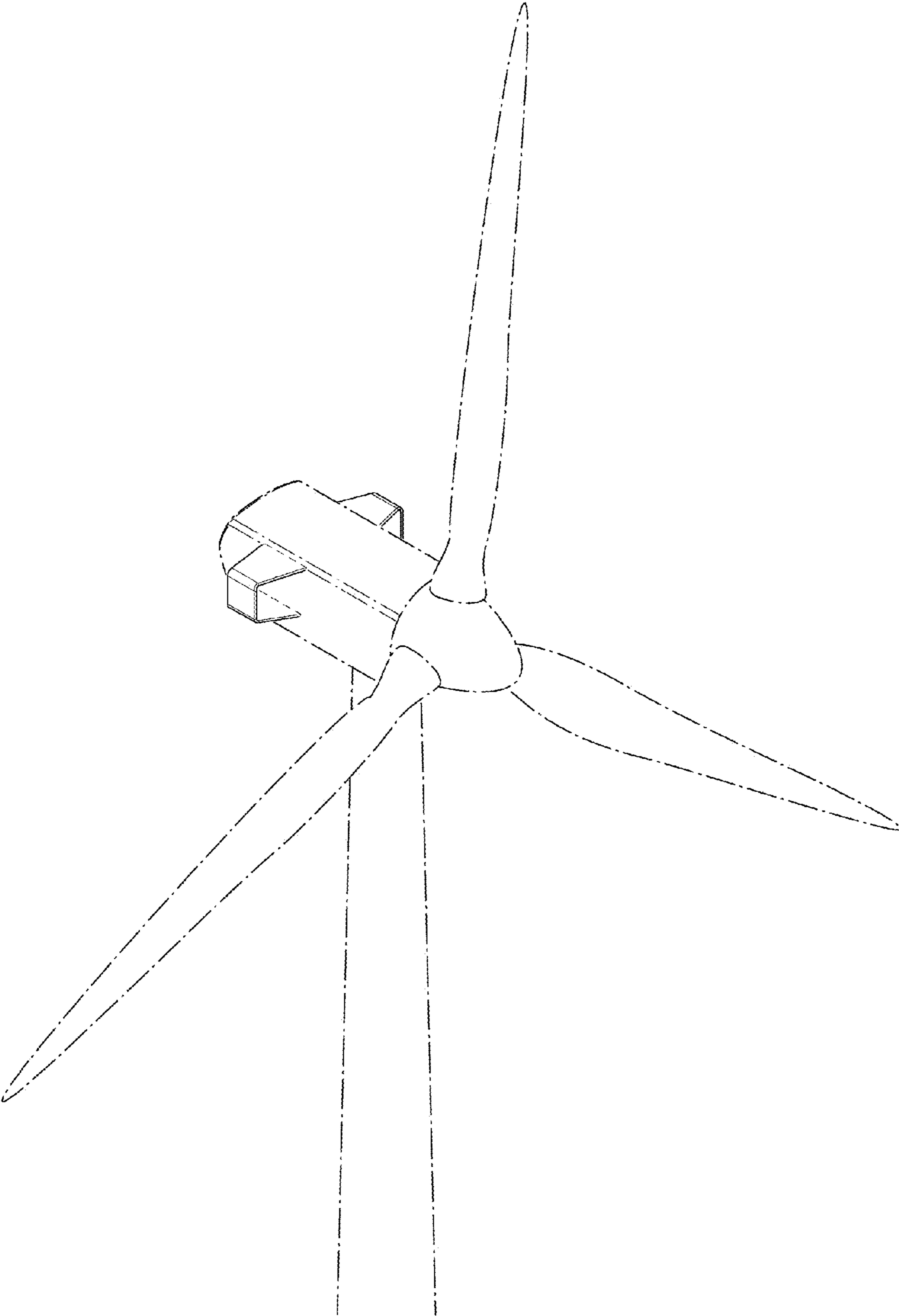


FIG. 1

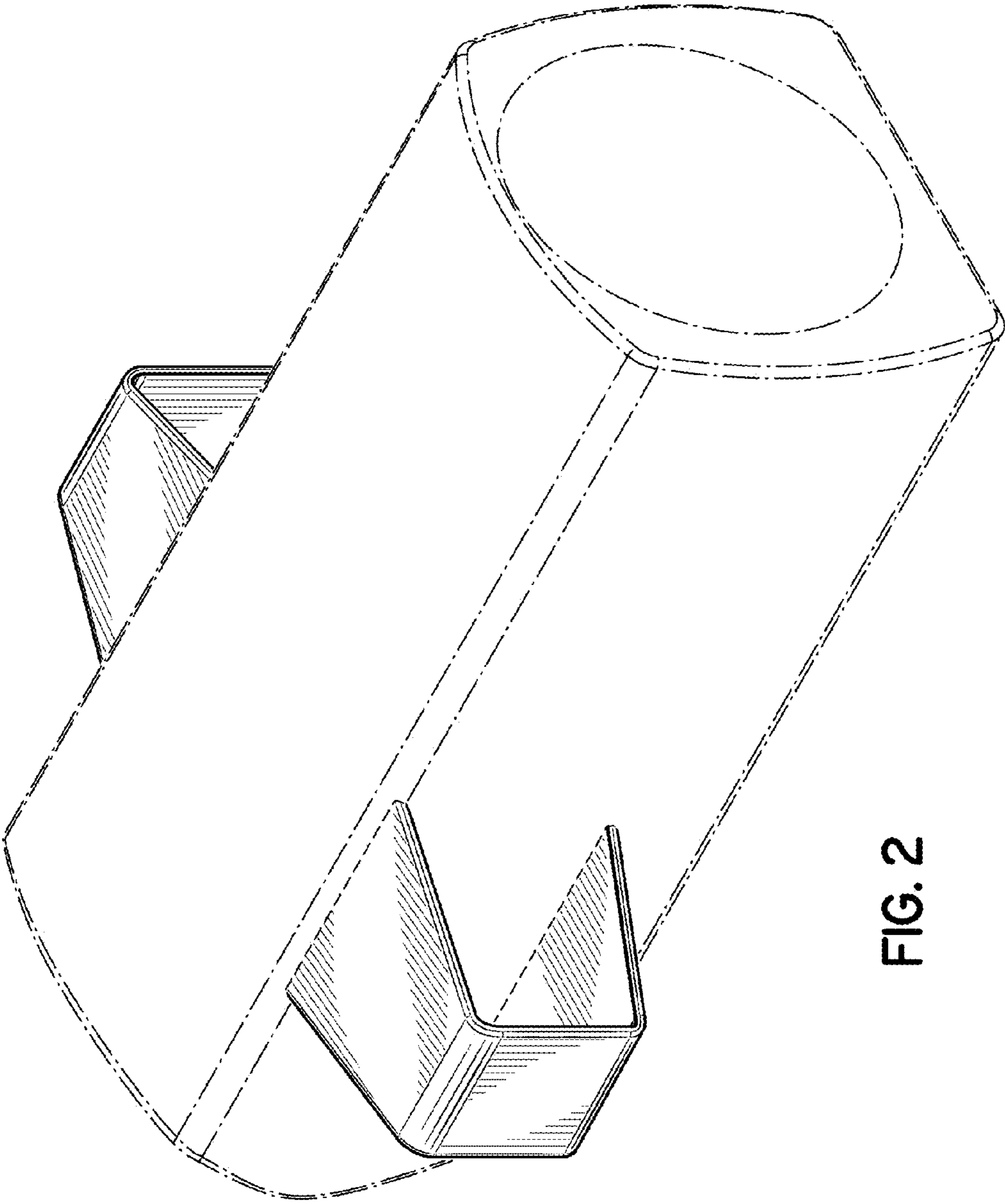


FIG. 2

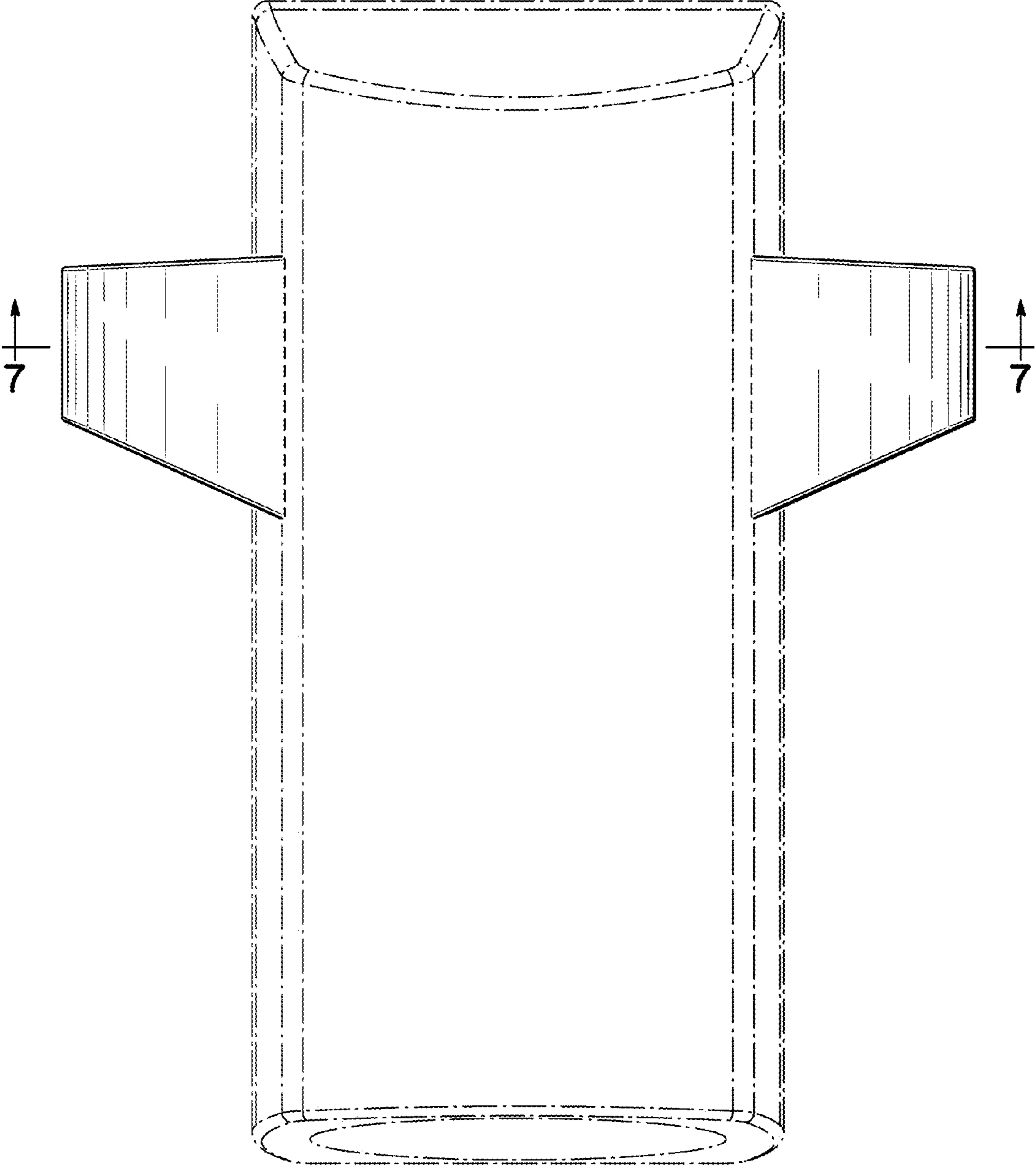


FIG. 3

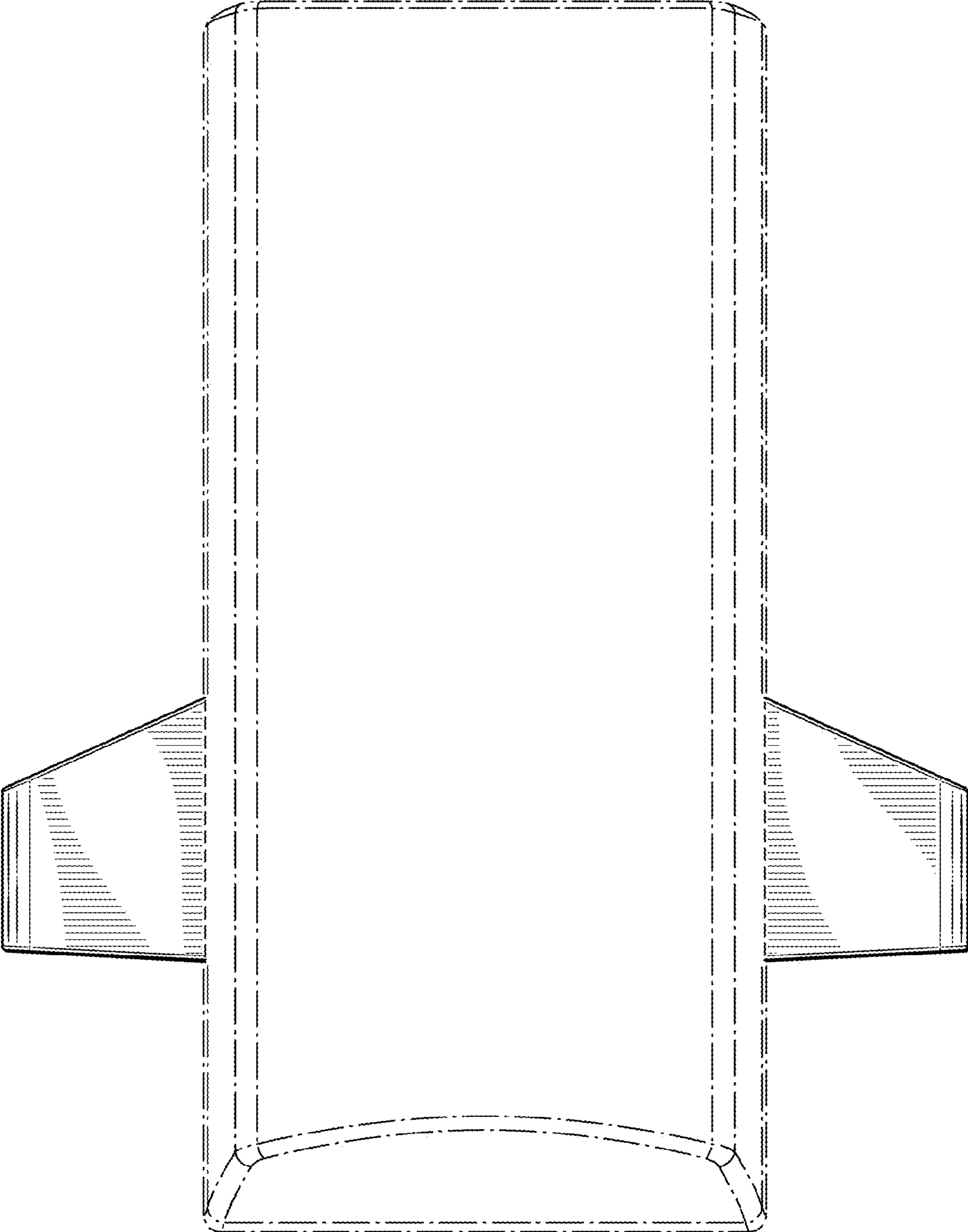


FIG. 4

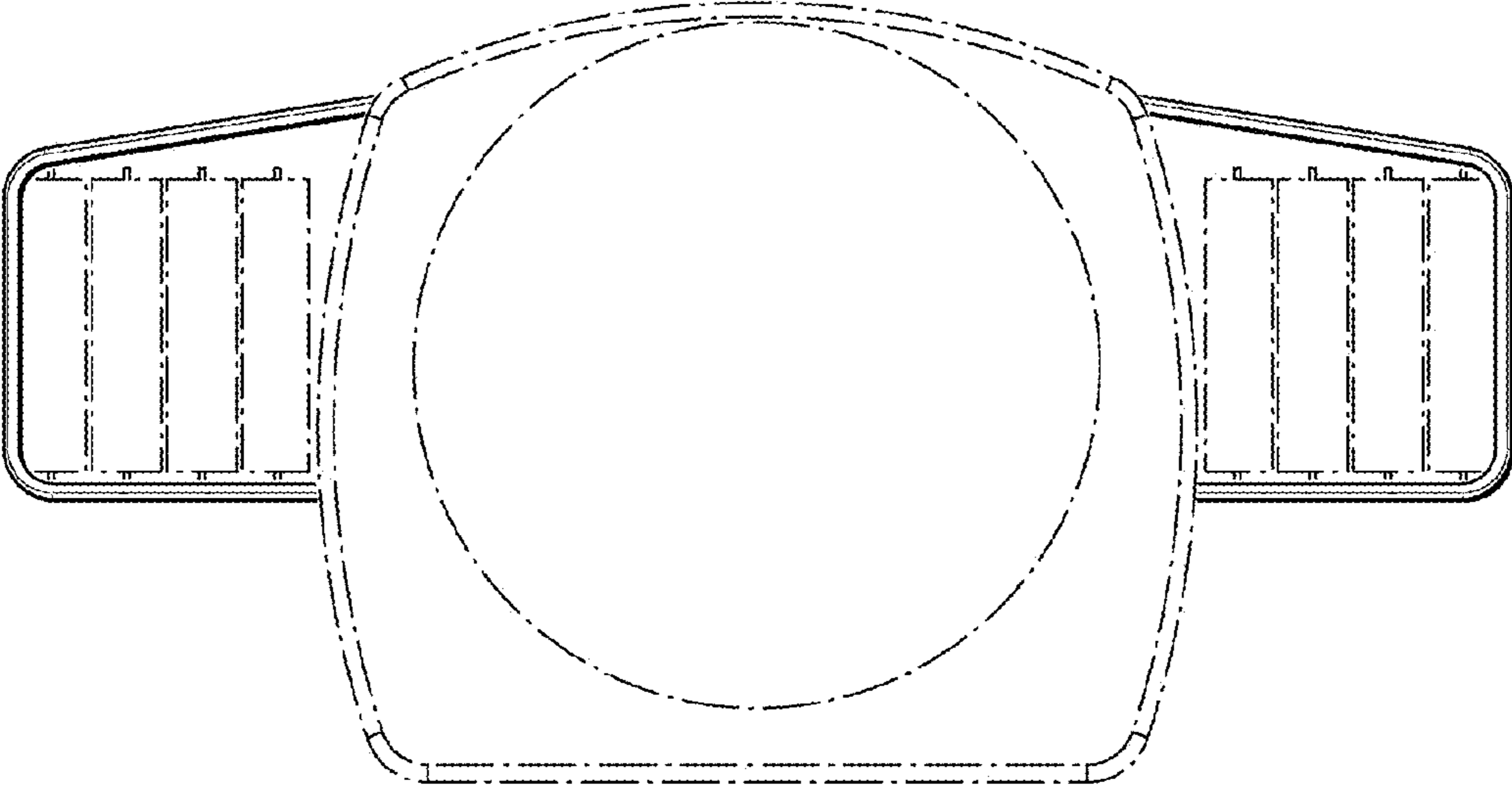


FIG. 5

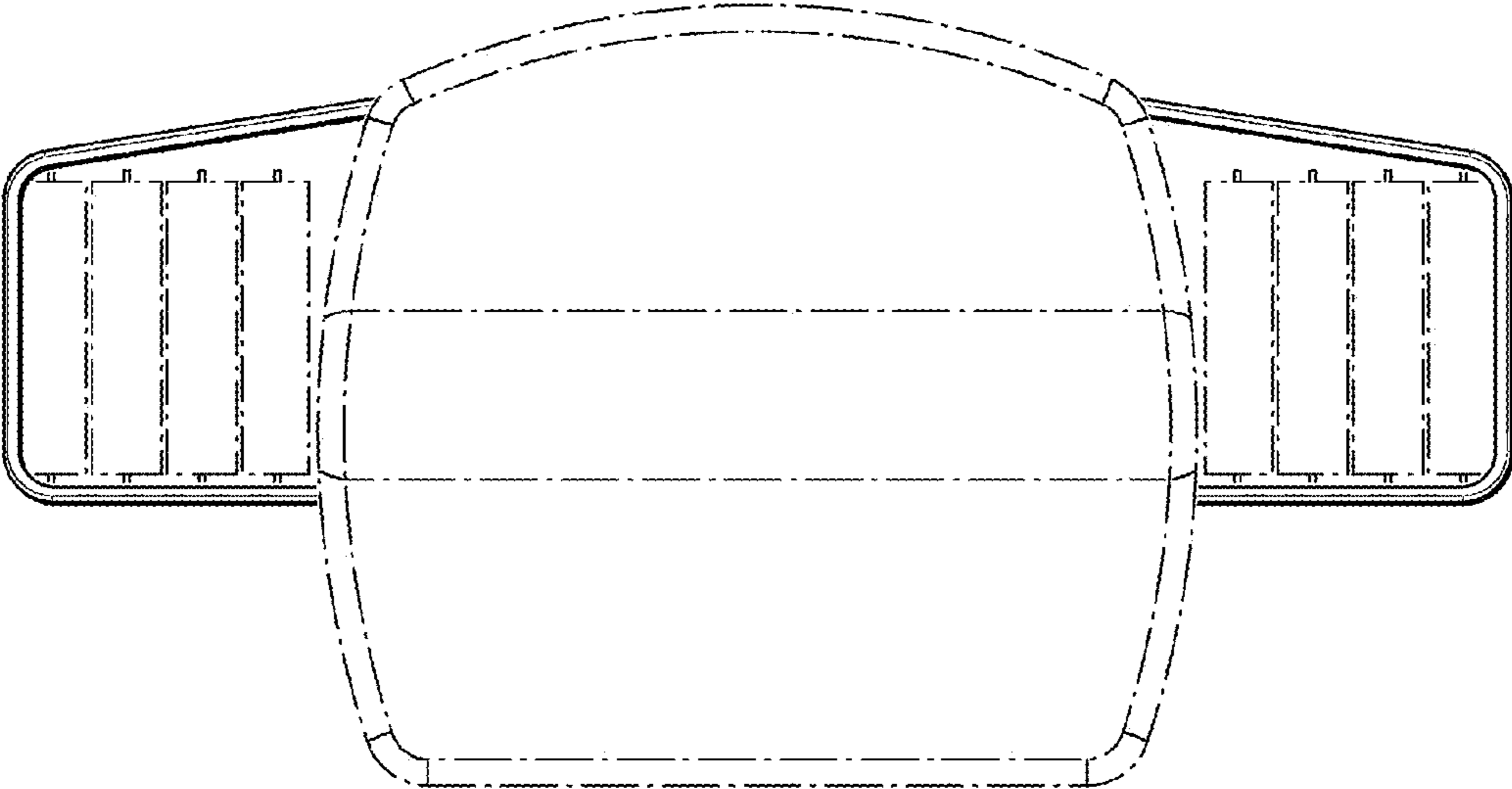


FIG. 6

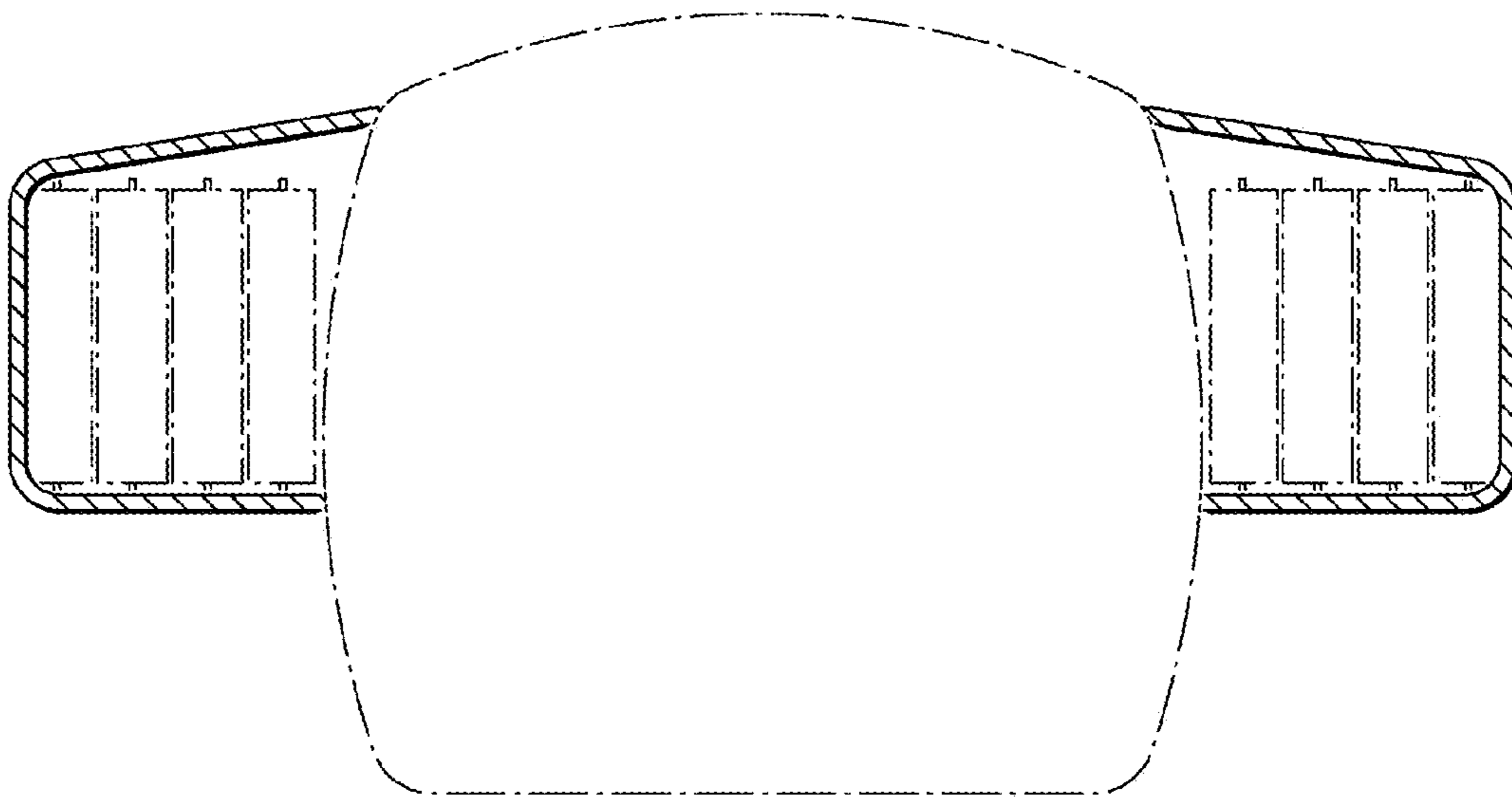


FIG. 7

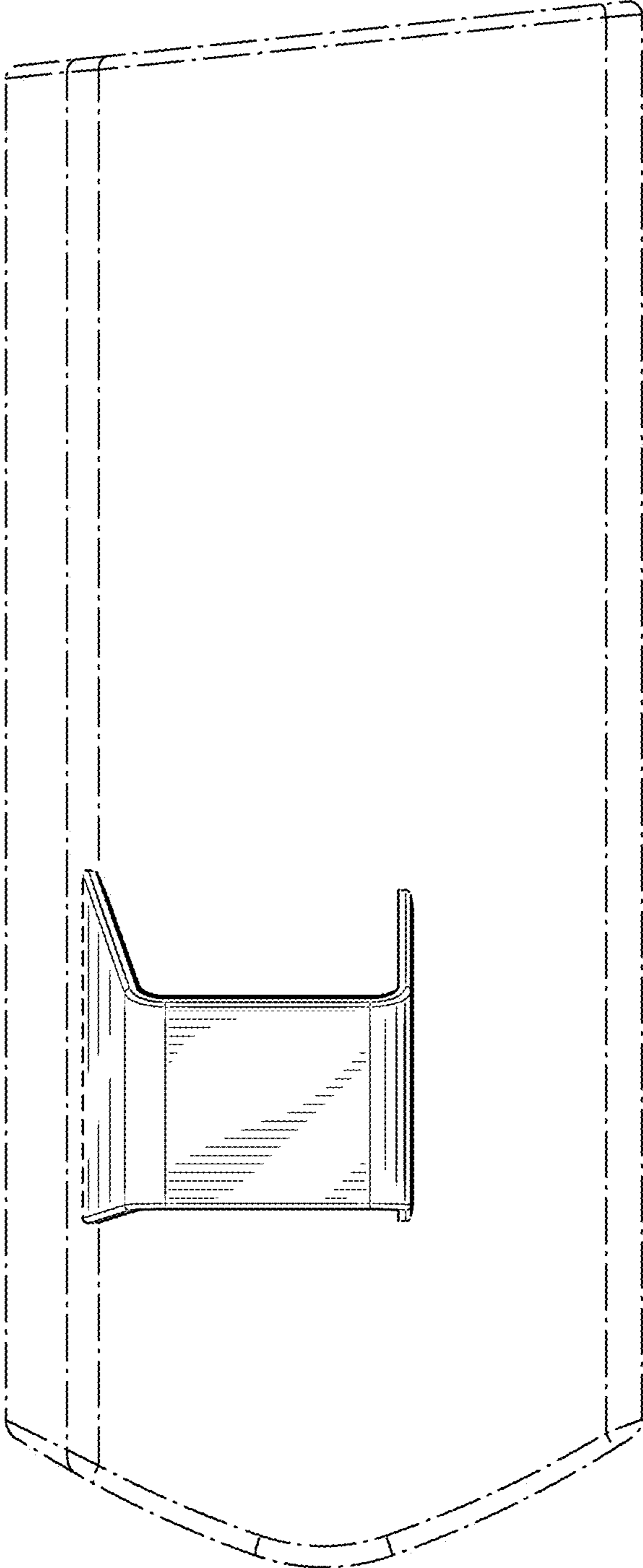


FIG. 8