



US00D709451S

(12) **United States Design Patent**  
**Tanabe et al.**

(10) **Patent No.:** **US D709,451 S**  
(45) **Date of Patent:** **\*\* Jul. 22, 2014**

(54) **MOTOR**  
(71) Applicant: **Panasonic Corporation**, Osaka (JP)  
(72) Inventors: **Yuichi Tanabe**, Osaka (JP); **Masahiko Morisaki**, Osaka (JP); **Akihiro Ochiai**, Osaka (JP)

6,118,197 A \* 9/2000 Bohlen ..... 310/89  
D516,506 S \* 3/2006 Ichimaru et al. .... D13/112  
D551,167 S \* 9/2007 Kubota et al. .... D13/112  
D589,879 S \* 4/2009 Yokota ..... D13/112  
D603,793 S \* 11/2009 Lindberg ..... D13/112  
D611,410 S \* 3/2010 Sturm et al. .... D13/112  
D614,568 S \* 4/2010 Lannoch ..... D13/112  
D633,867 S \* 3/2011 Sasaki et al. .... D13/112

(73) Assignee: **Panasonic Corporation**, Osaka (JP)

**FOREIGN PATENT DOCUMENTS**

(\*\*) Term: **14 Years**

JP D744960 10/1988  
JP D1206000 5/2004

(21) Appl. No.: **29/470,339**

\* cited by examiner

(22) Filed: **Oct. 21, 2013**

*Primary Examiner* — Derrick Holland

(30) **Foreign Application Priority Data**

(74) *Attorney, Agent, or Firm* — Panasonic Patent Center

Jul. 10, 2013 (JP) ..... 2013-015767

(51) **LOC (10) Cl.** ..... **13-01**

(52) **U.S. Cl.**  
USPC ..... **D13/112**

(58) **Field of Classification Search**  
USPC ..... D13/112, 113, 114, 122, 184, 199;  
D15/1, 5; 290/36 R, 38 R, 39; 310/10,  
310/20, 40 R, 40 MM, 42, 68 D, 75 R, 80, 83,  
310/88, 89, 98, 109, 114, 191; 318/9, 10,  
318/11, 14, 15, 244, 245, 255  
See application file for complete search history.

(57) **CLAIM**  
We claim the ornamental design for a motor, as shown and described.

(56) **References Cited**

**DESCRIPTION**

**U.S. PATENT DOCUMENTS**

4,244,098 A \* 1/1981 Barcus ..... 29/596  
4,673,837 A \* 6/1987 Gingerich et al. .... 310/239  
D301,574 S \* 6/1989 Riggs ..... D13/112  
D424,516 S \* 5/2000 Friedrichsen ..... D13/112

FIG. 1 is a front perspective view of a motor of the present invention;  
FIG. 2 is a rear perspective view thereof;  
FIG. 3 is a front view thereof;  
FIG. 4 is a rear view thereof;  
FIG. 5 is a left side view thereof;  
FIG. 6 is a right side view thereof;  
FIG. 7 is a top view thereof; and,  
FIG. 8 is a bottom view thereof.  
The broken lines shown represent unclaimed subject matter and form no part of the claimed design.

**1 Claim, 8 Drawing Sheets**

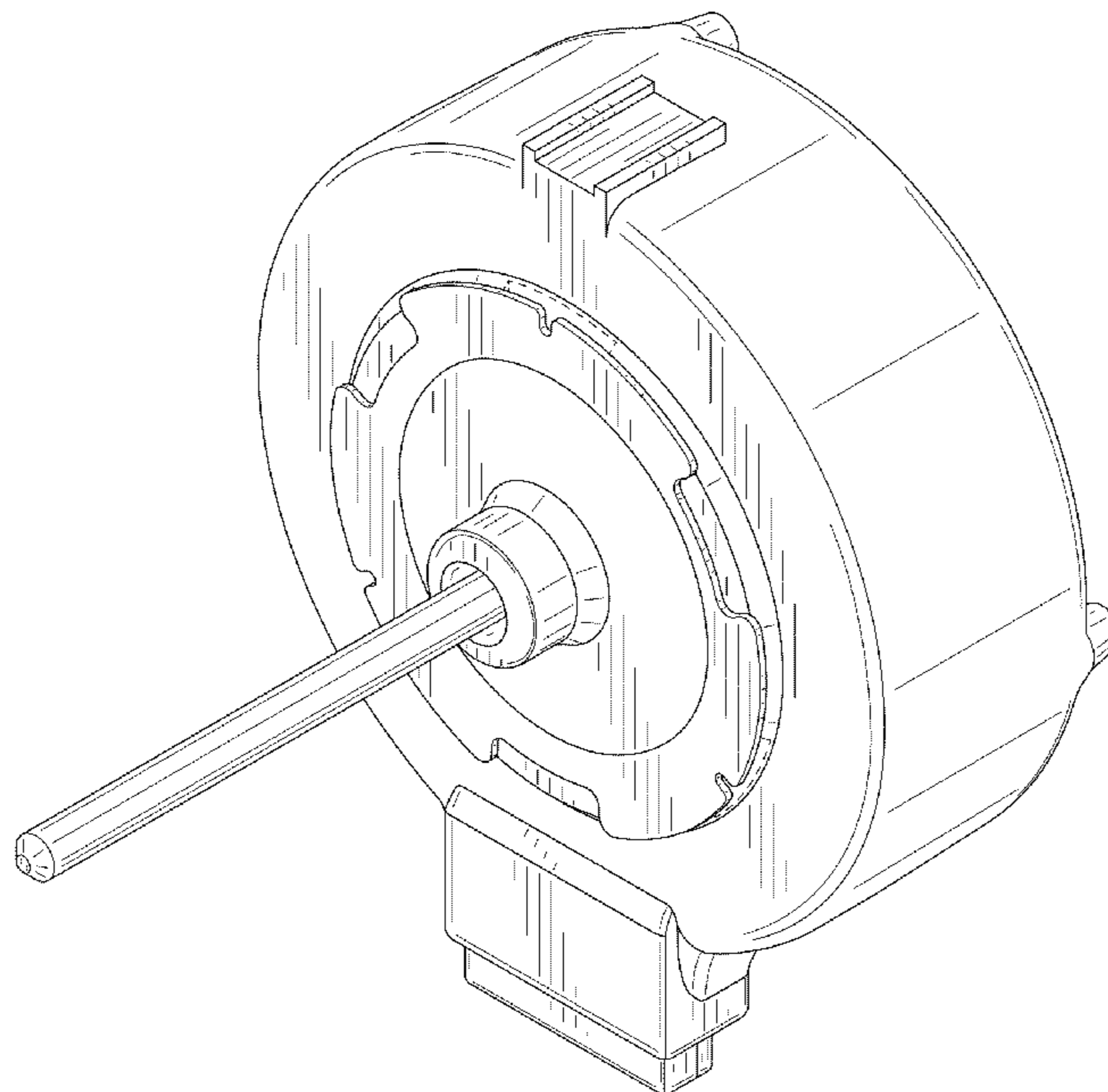


FIG. 1

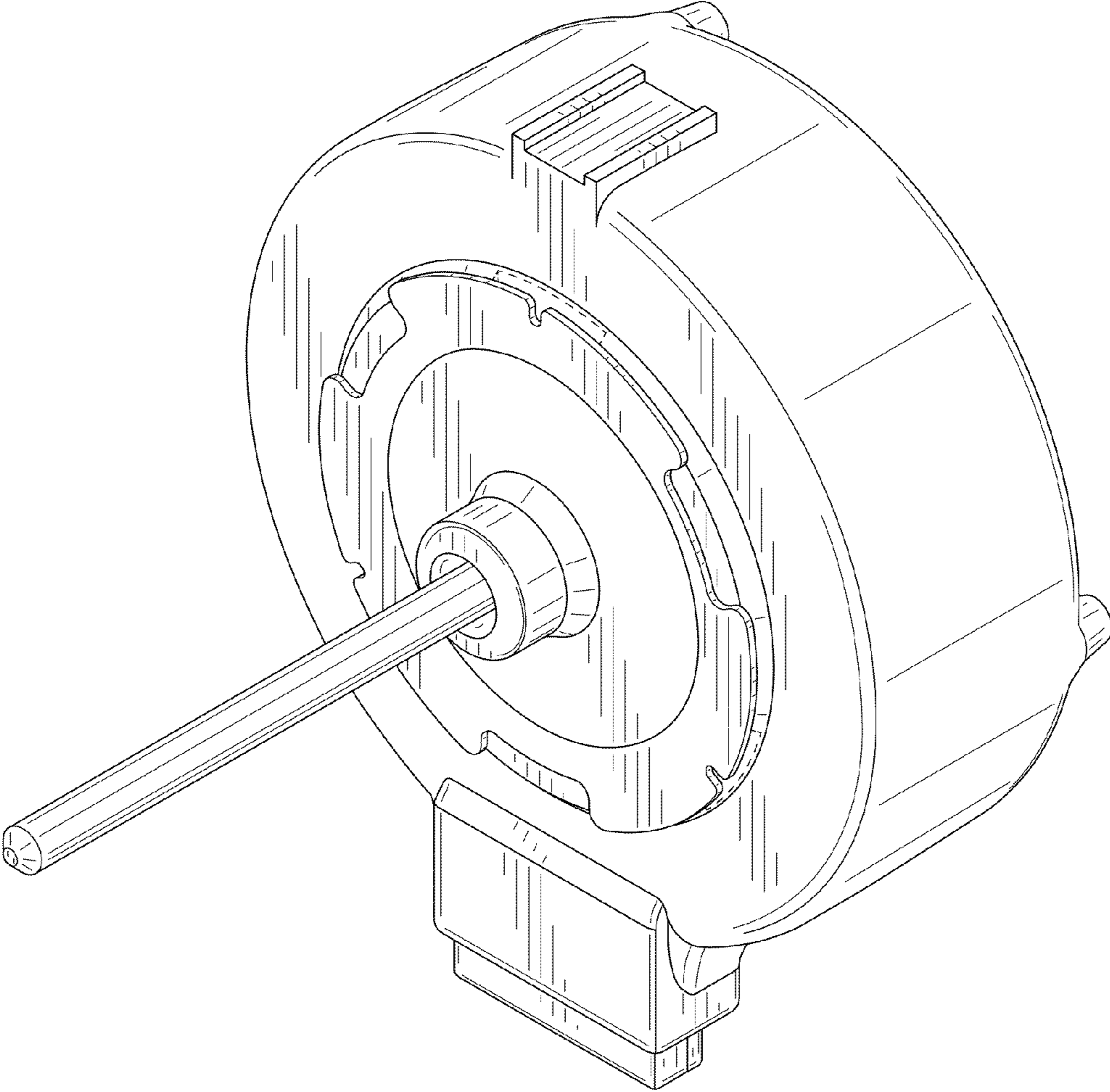


FIG. 2

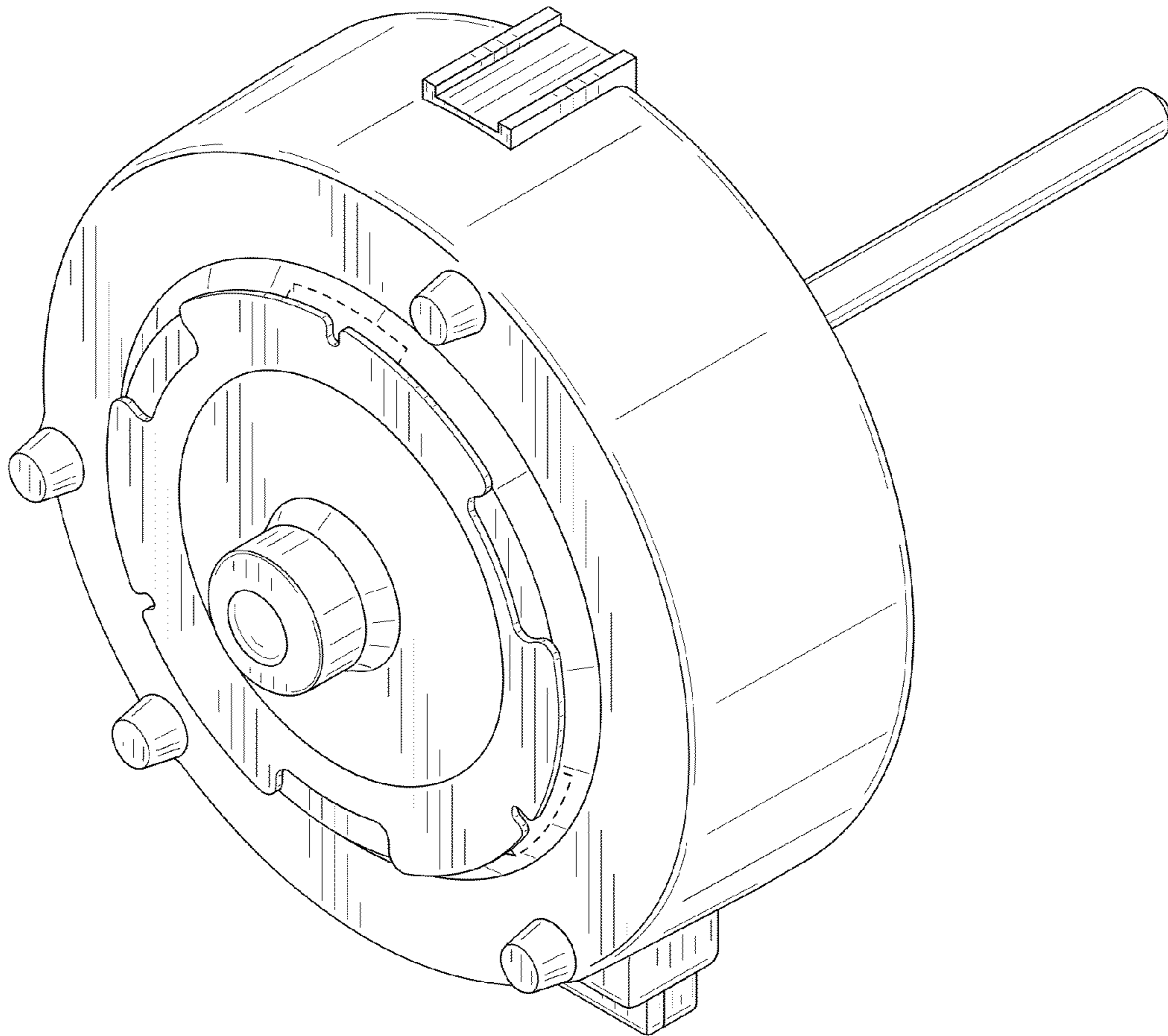


FIG. 3

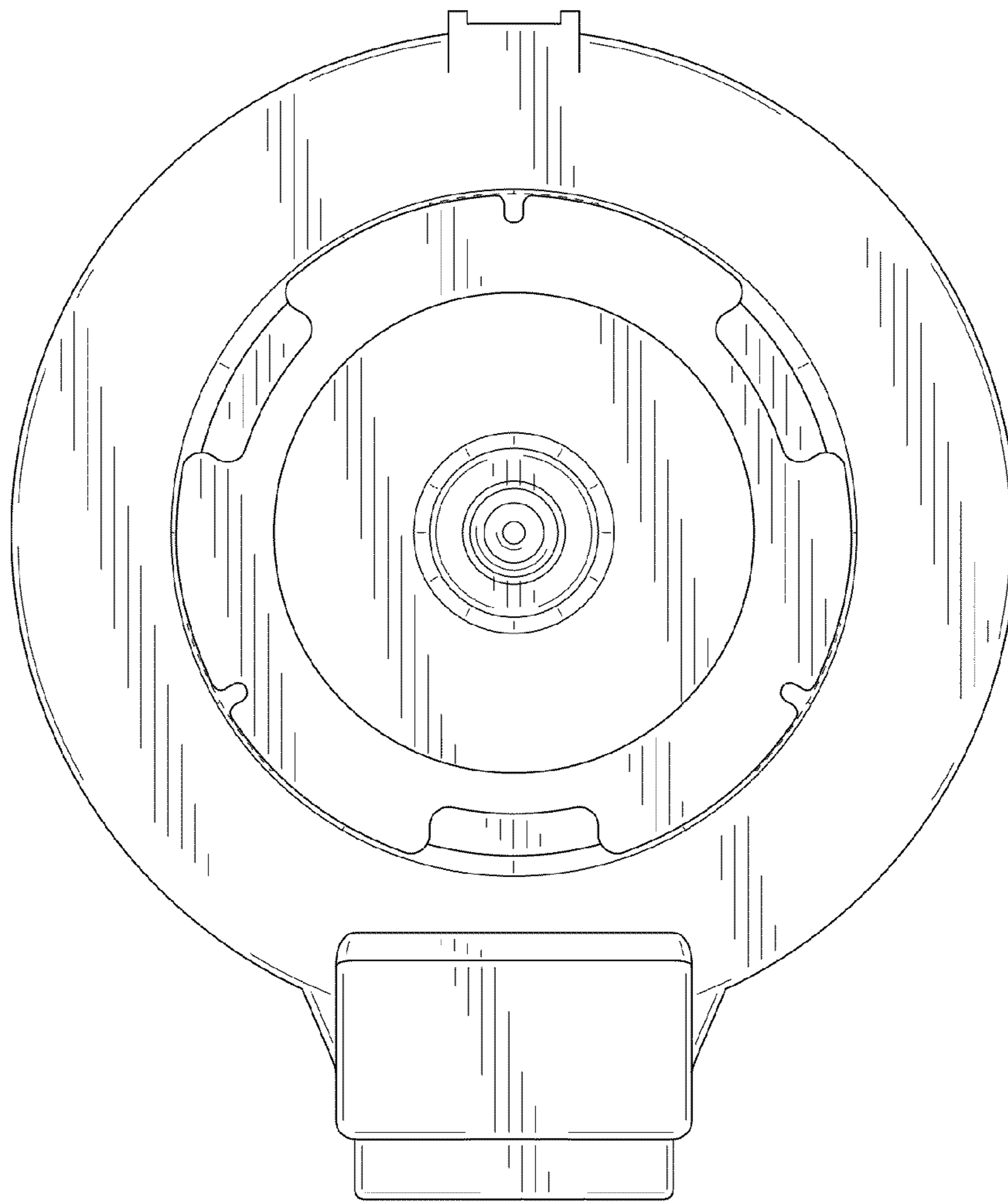


FIG. 4

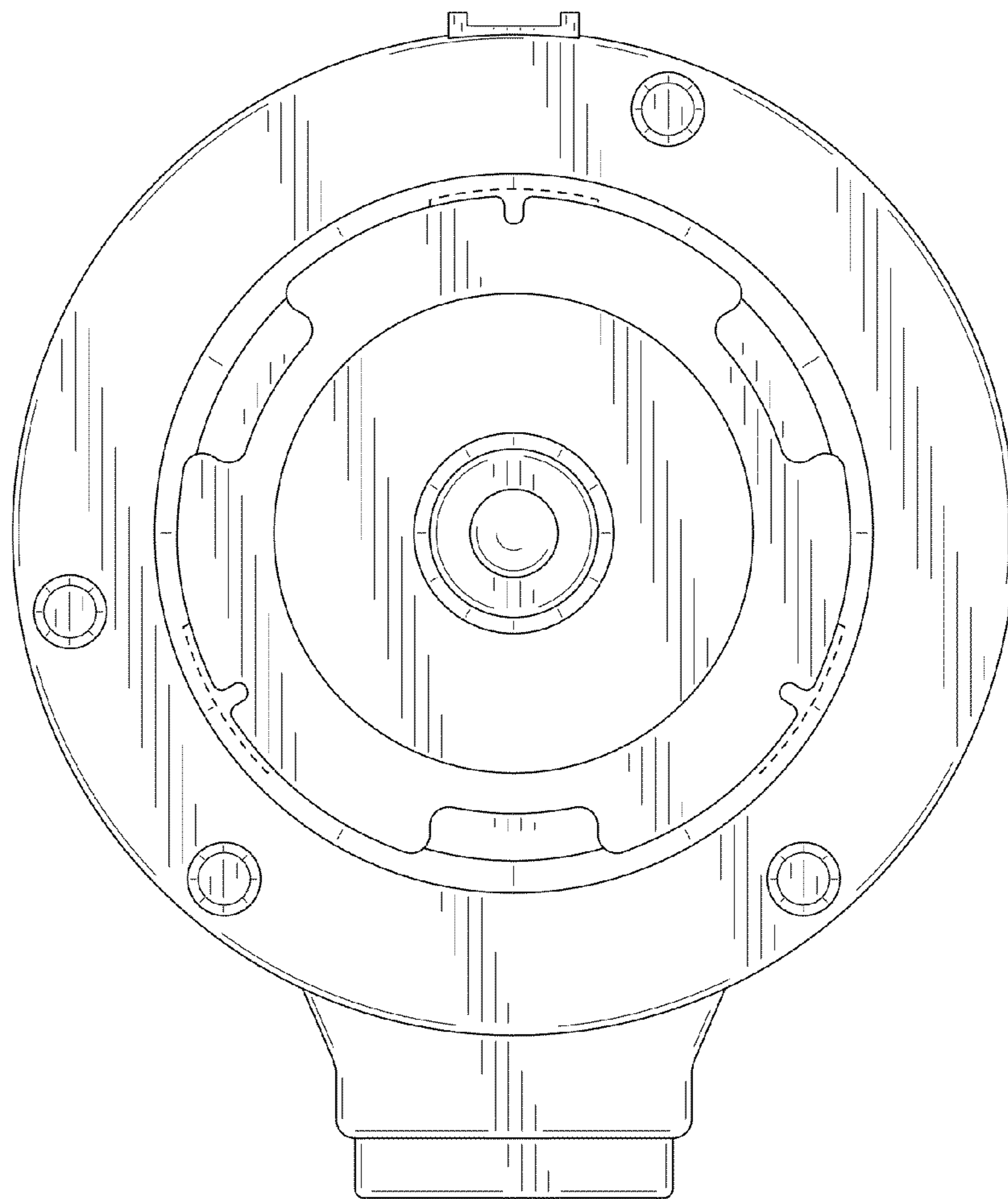


FIG. 5

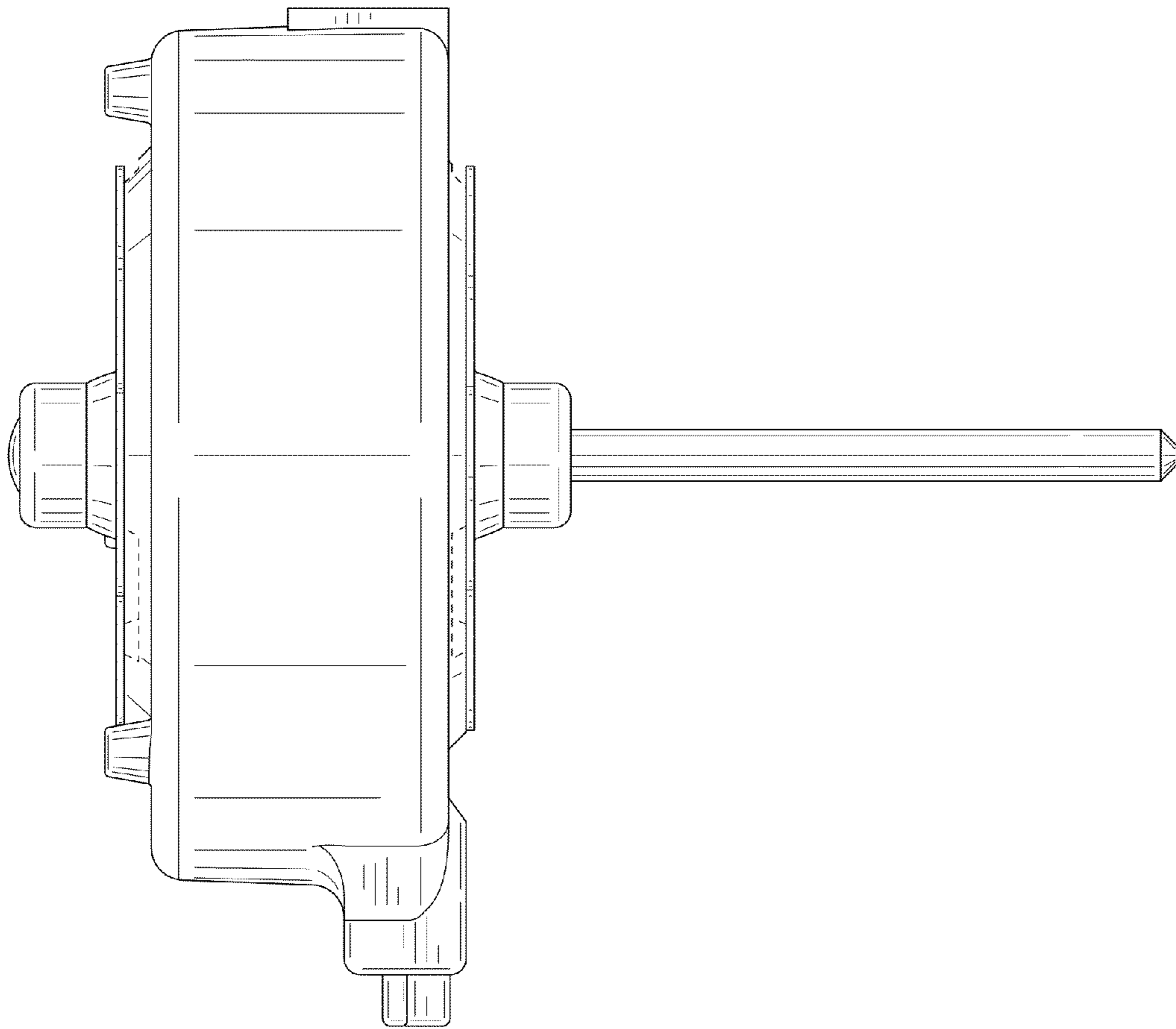


FIG. 6

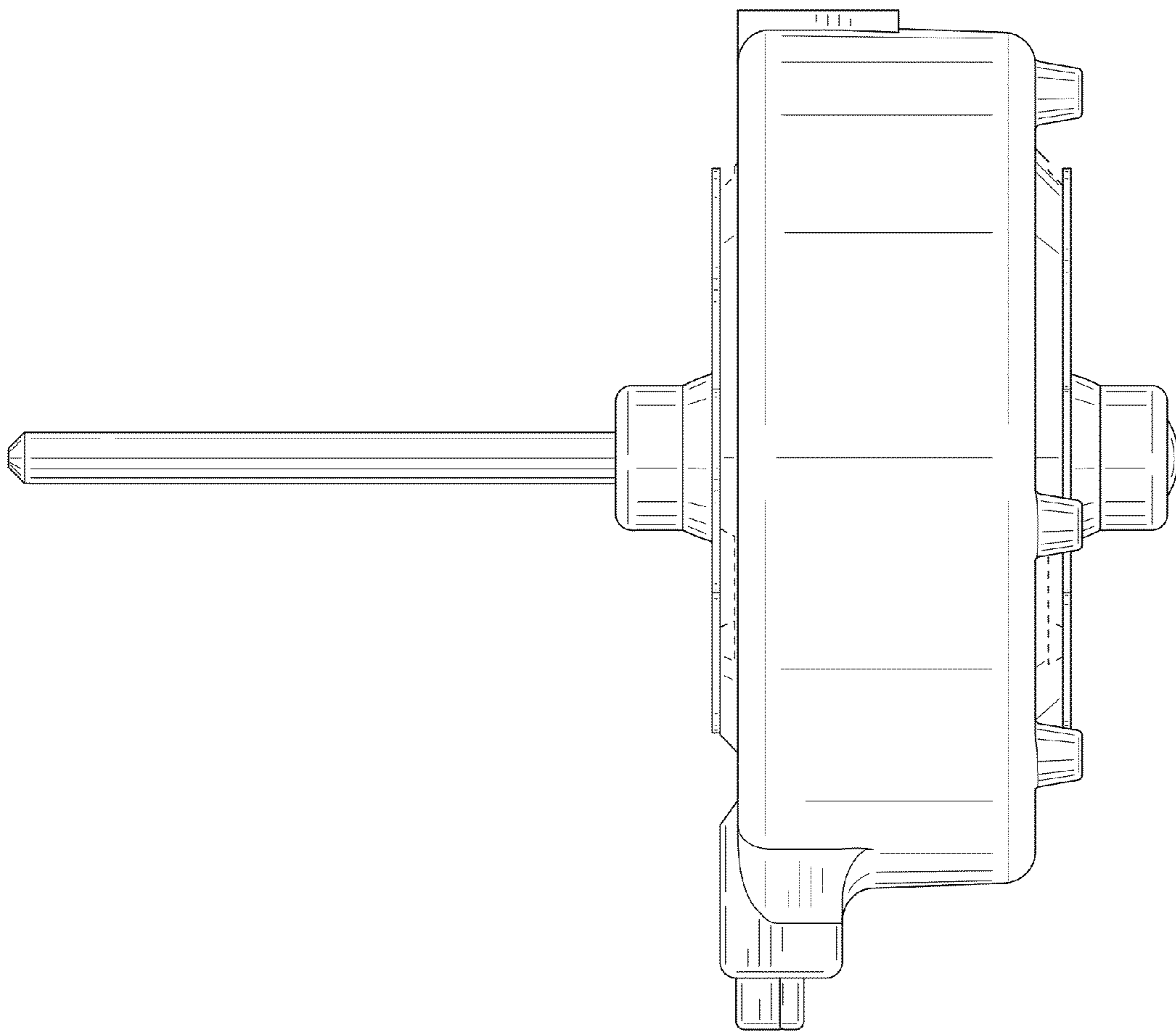


FIG. 7

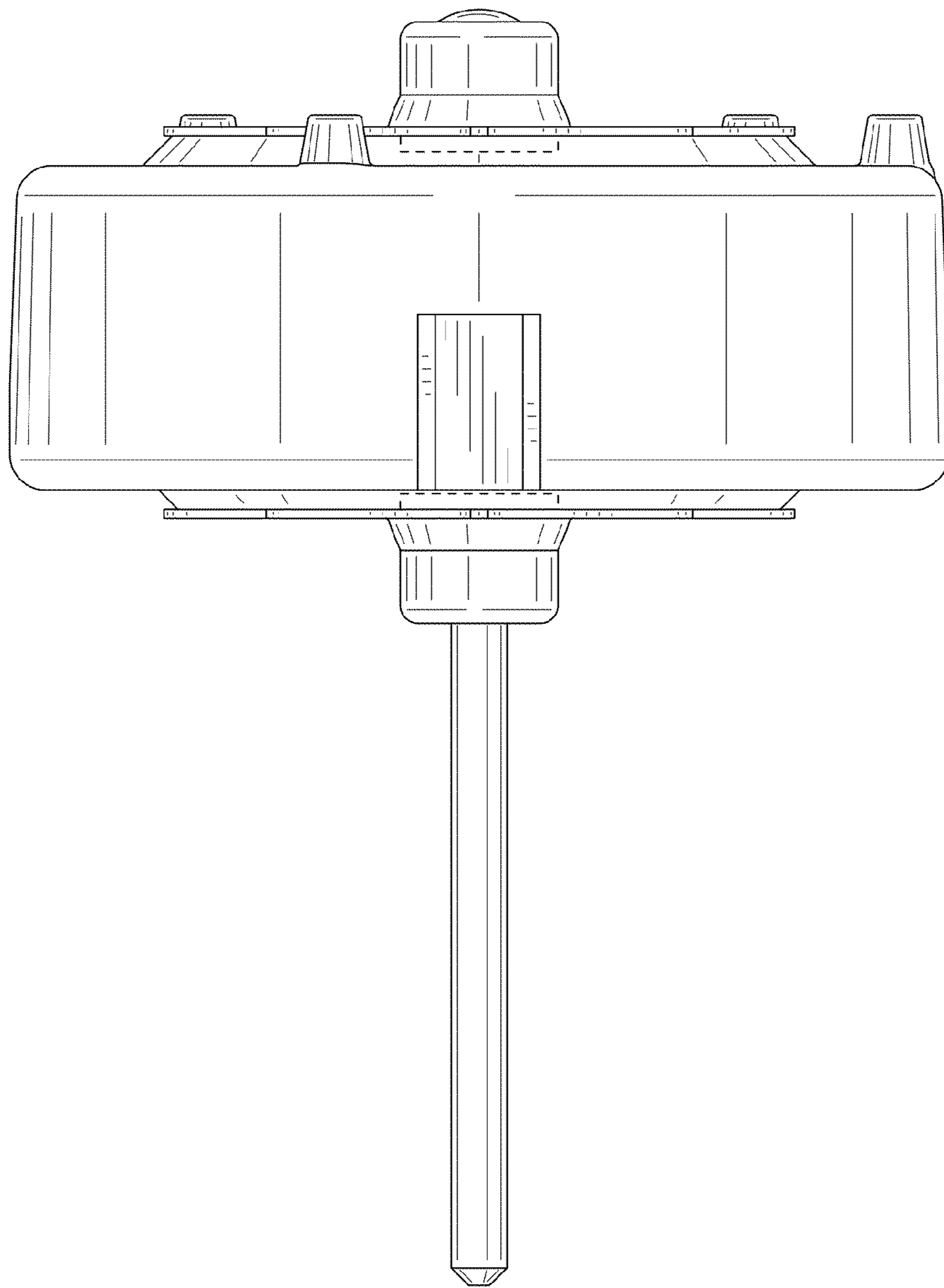




FIG. 8

