



US00D709450S

(12) **United States Design Patent**
Tanabe et al.

(10) **Patent No.:** **US D709,450 S**
(45) **Date of Patent:** **** Jul. 22, 2014**

(54) **MOTOR**
(71) Applicant: **Panasonic Corporation**, Osaka (JP)
(72) Inventors: **Yuichi Tanabe**, Osaka (JP); **Masahiko Morisaki**, Osaka (JP); **Akihiro Ochiai**, Osaka (JP)
(73) Assignee: **Panasonic Corporation**, Osaka (JP)

D301,574 S * 6/1989 Riggs D13/112
D424,516 S * 5/2000 Friedrichsen D13/112
6,118,197 A * 9/2000 Bohlen 310/89
D516,506 S * 3/2006 Ichimaru et al. D13/112
D551,167 S * 9/2007 Kubota et al. D13/112
D589,879 S * 4/2009 Yokota D13/112
D603,793 S * 11/2009 Lindberg D13/112
D611,410 S * 3/2010 Sturm et al. D13/112
D633,867 S * 3/2011 Sasaki et al. D13/112

(**) Term: **14 Years**
(21) Appl. No.: **29/462,374**
(22) Filed: **Aug. 2, 2013**

FOREIGN PATENT DOCUMENTS

JP D1156659 10/2002
JP D1202230 4/2004

(30) **Foreign Application Priority Data**
Feb. 14, 2013 (JP) 2013-002856
(51) **LOC (10) Cl.** **13-01**
(52) **U.S. Cl.**
USPC **D13/112**
(58) **Field of Classification Search**
USPC D13/112, 113, 114, 122, 199; D15/3, 5,
D15/199; 74/606 R, 609; 310/10, 40 R, 42,
310/51, 58, 71, 80, 83, 85, 89, 91, 109, 236,
310/239, 254; 318/245, 255
See application file for complete search history.

* cited by examiner

Primary Examiner — Derrick Holland

(74) *Attorney, Agent, or Firm* — Panasonic Patent Center

(56) **References Cited**
U.S. PATENT DOCUMENTS

4,244,098 A * 1/1981 Barcus 29/596
4,673,837 A * 6/1987 Gingerich et al. 310/239

(57) **CLAIM**
We claim the ornamental design for a motor, as shown and described.

DESCRIPTION

FIG. 1 is a front perspective view thereof of a motor of the present invention;
FIG. 2 is a rear perspective view thereof;
FIG. 3 is a front view thereof;
FIG. 4 is a rear view thereof;
FIG. 5 is a left side view thereof;
FIG. 6 is a right side view thereof;
FIG. 7 is a top view thereof; and,
FIG. 8 is a bottom view thereof.

1 Claim, 8 Drawing Sheets

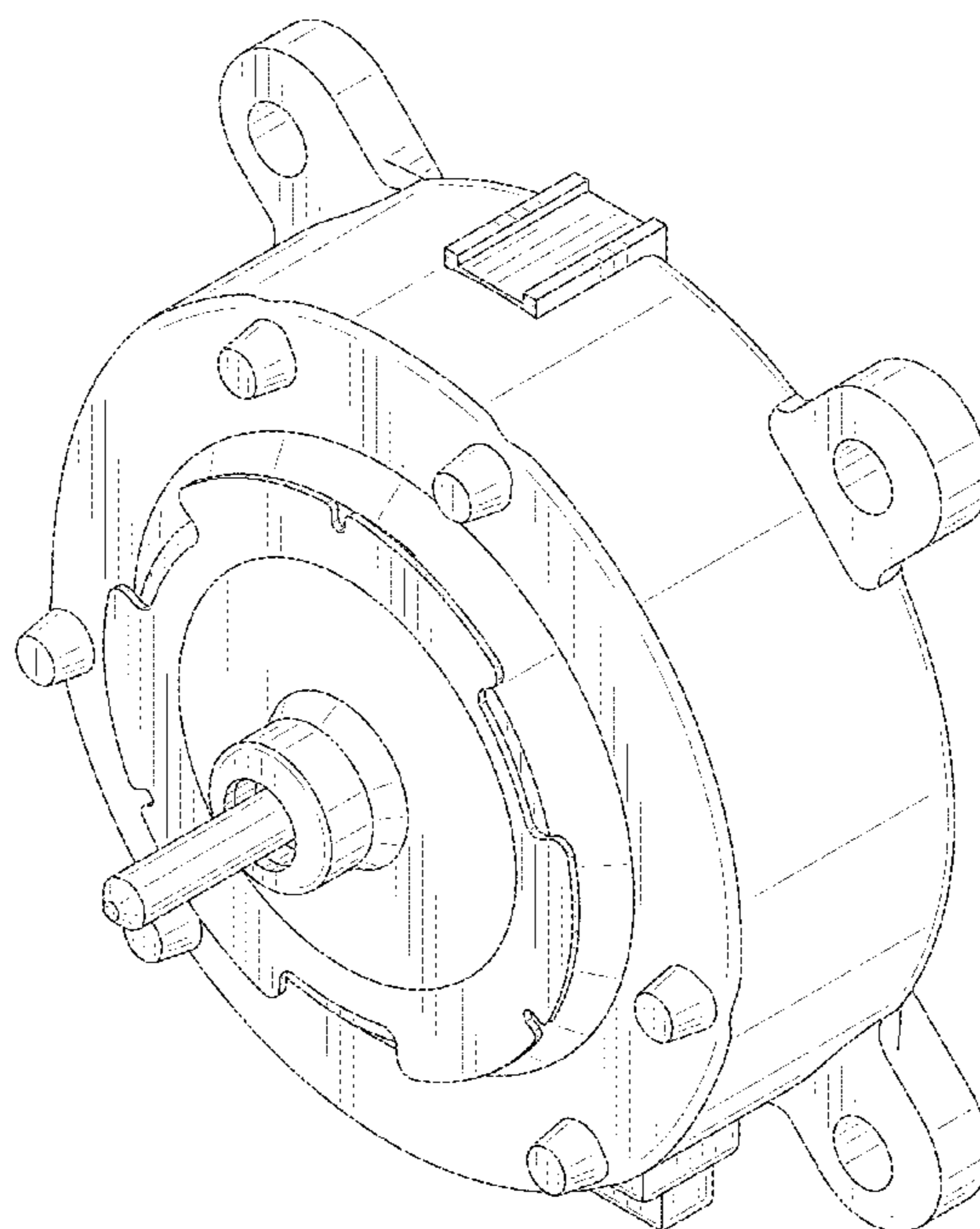


FIG. 1

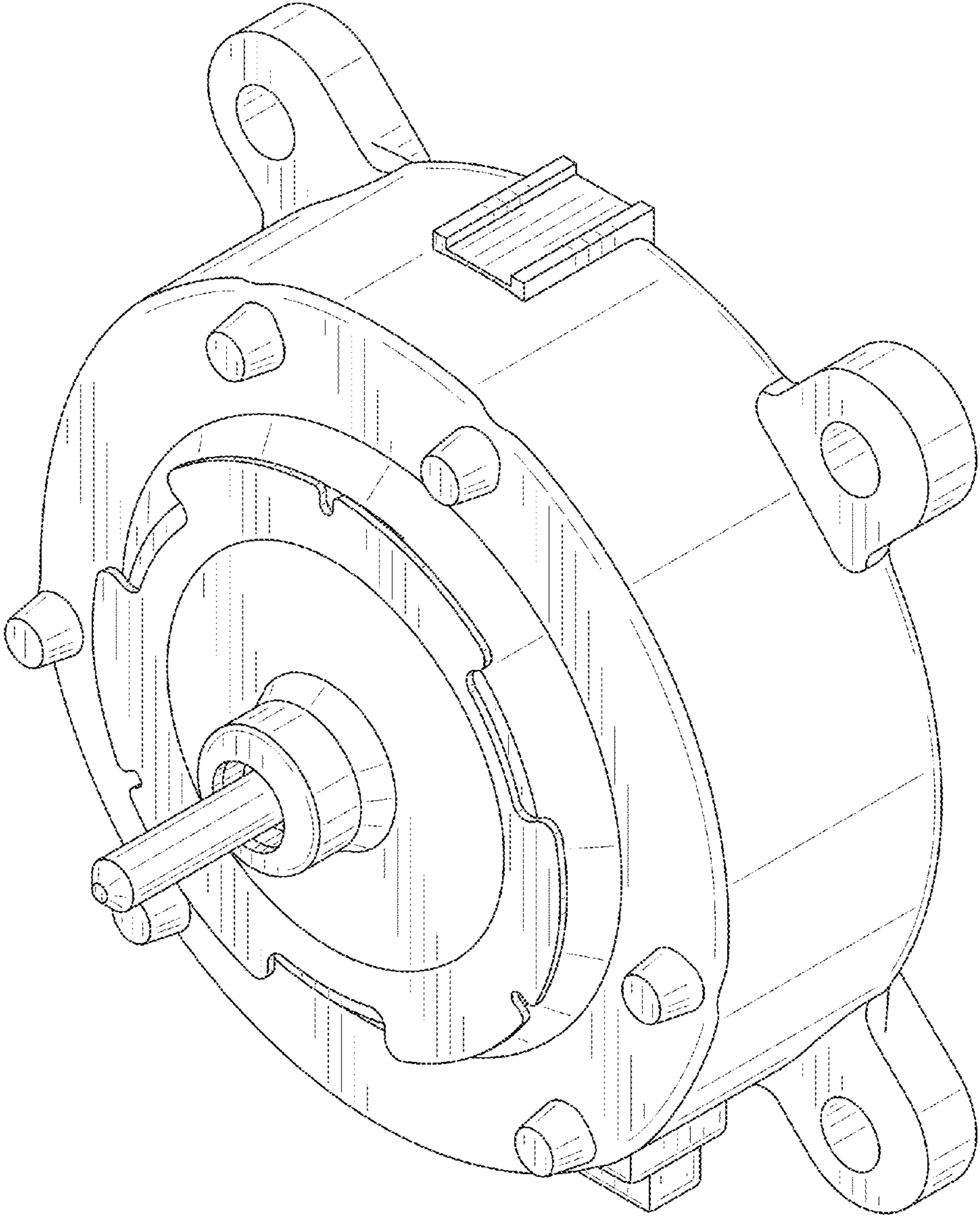


FIG. 2

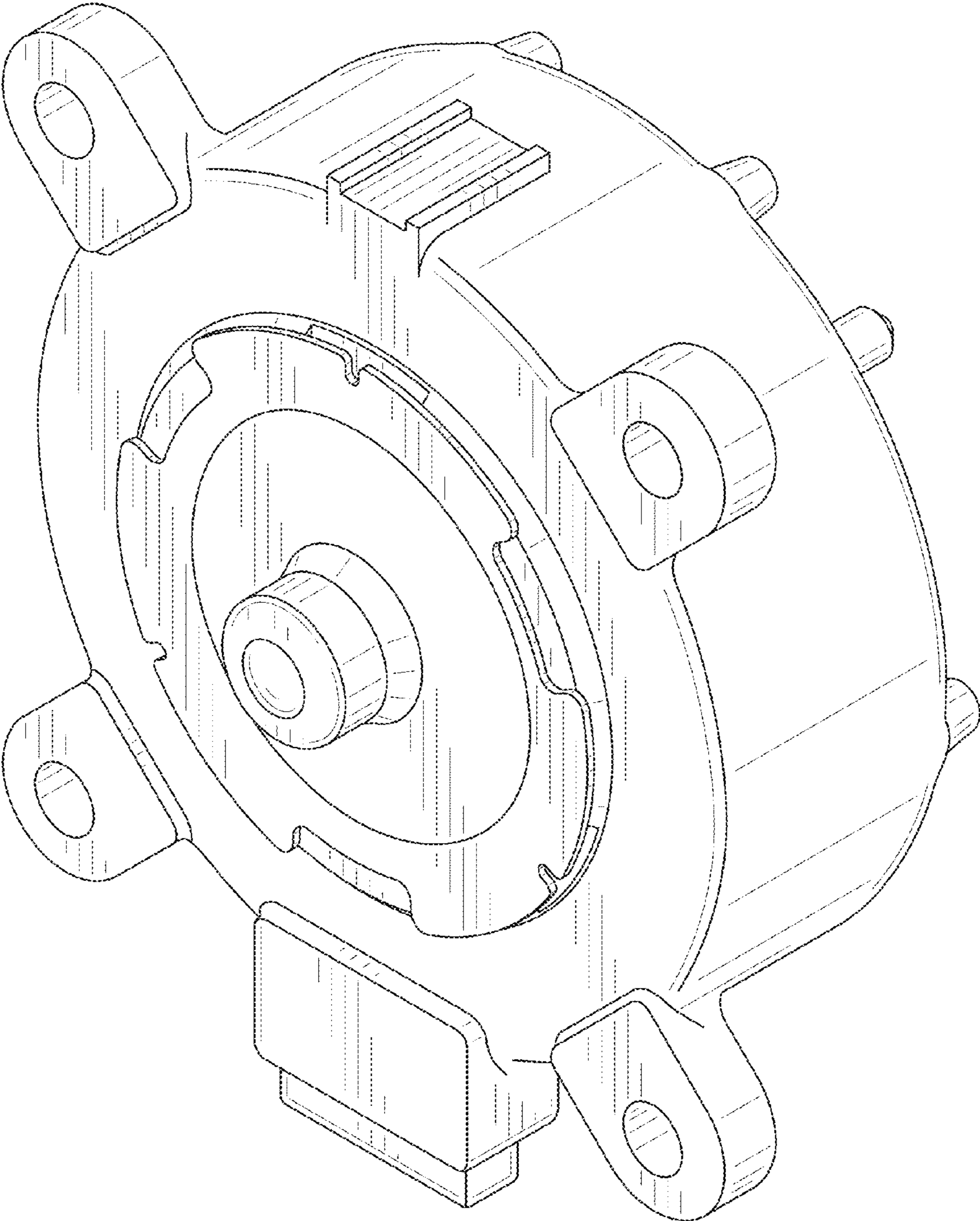


FIG. 3

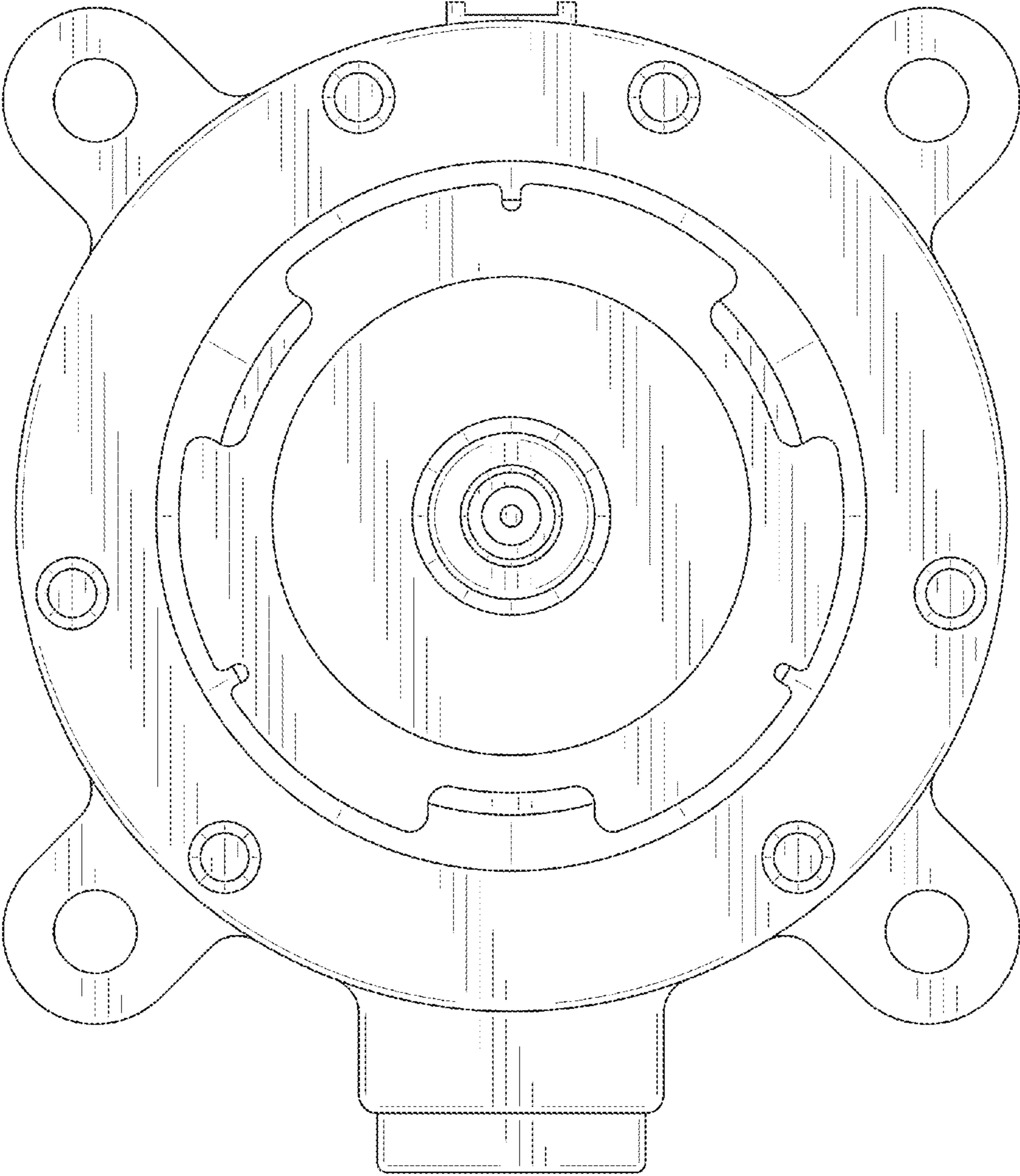


FIG. 4

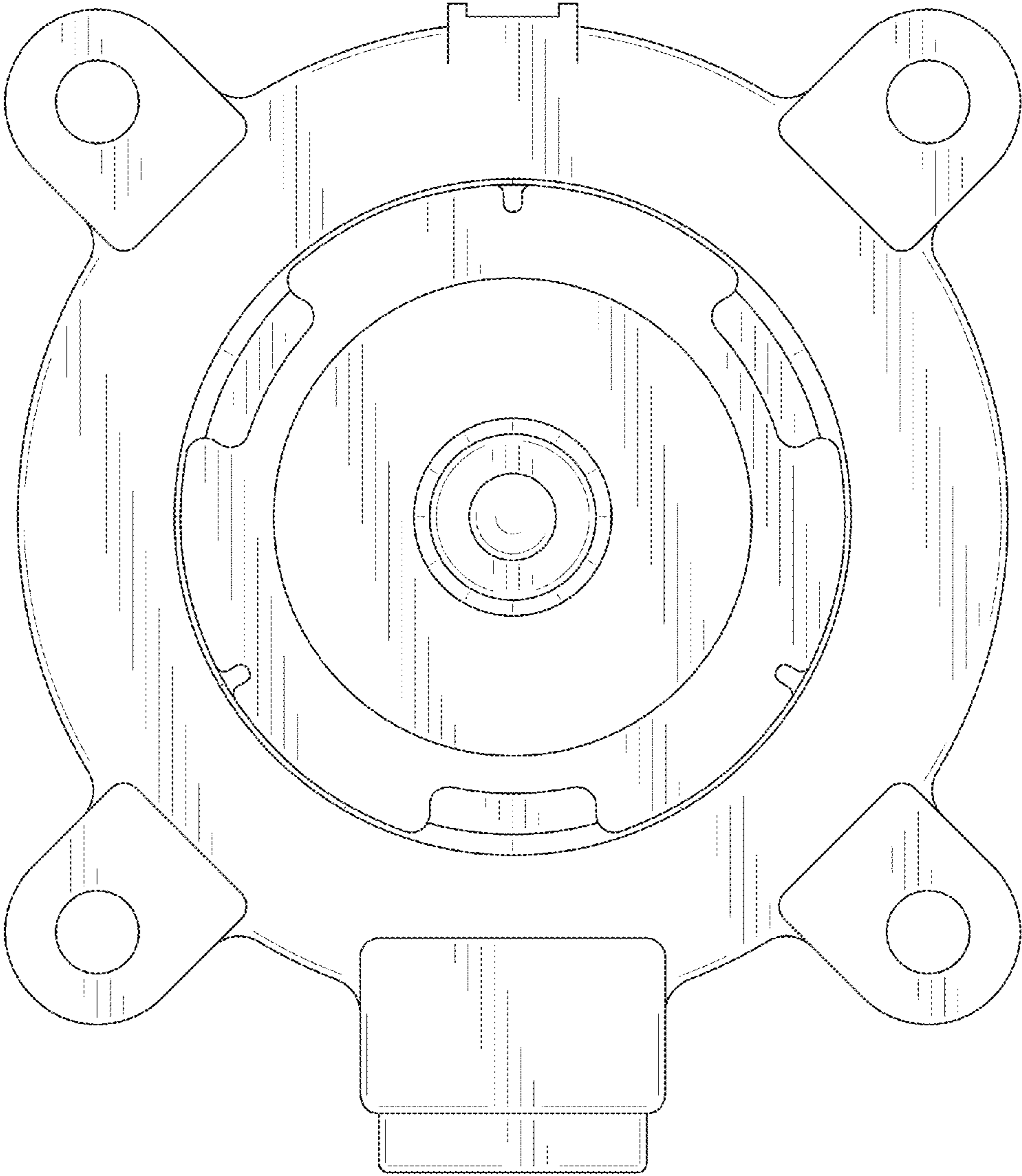


FIG. 5

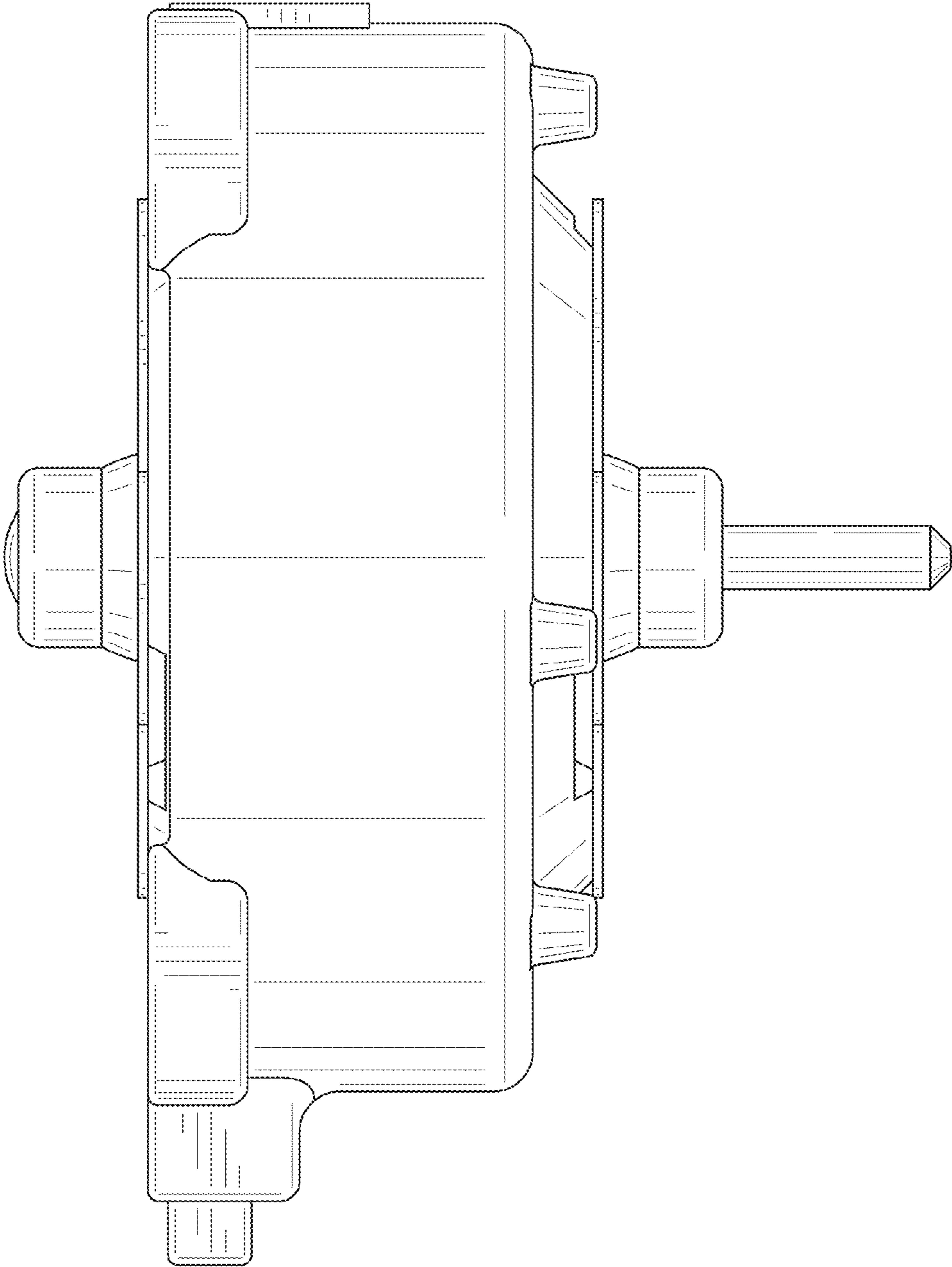


FIG. 6

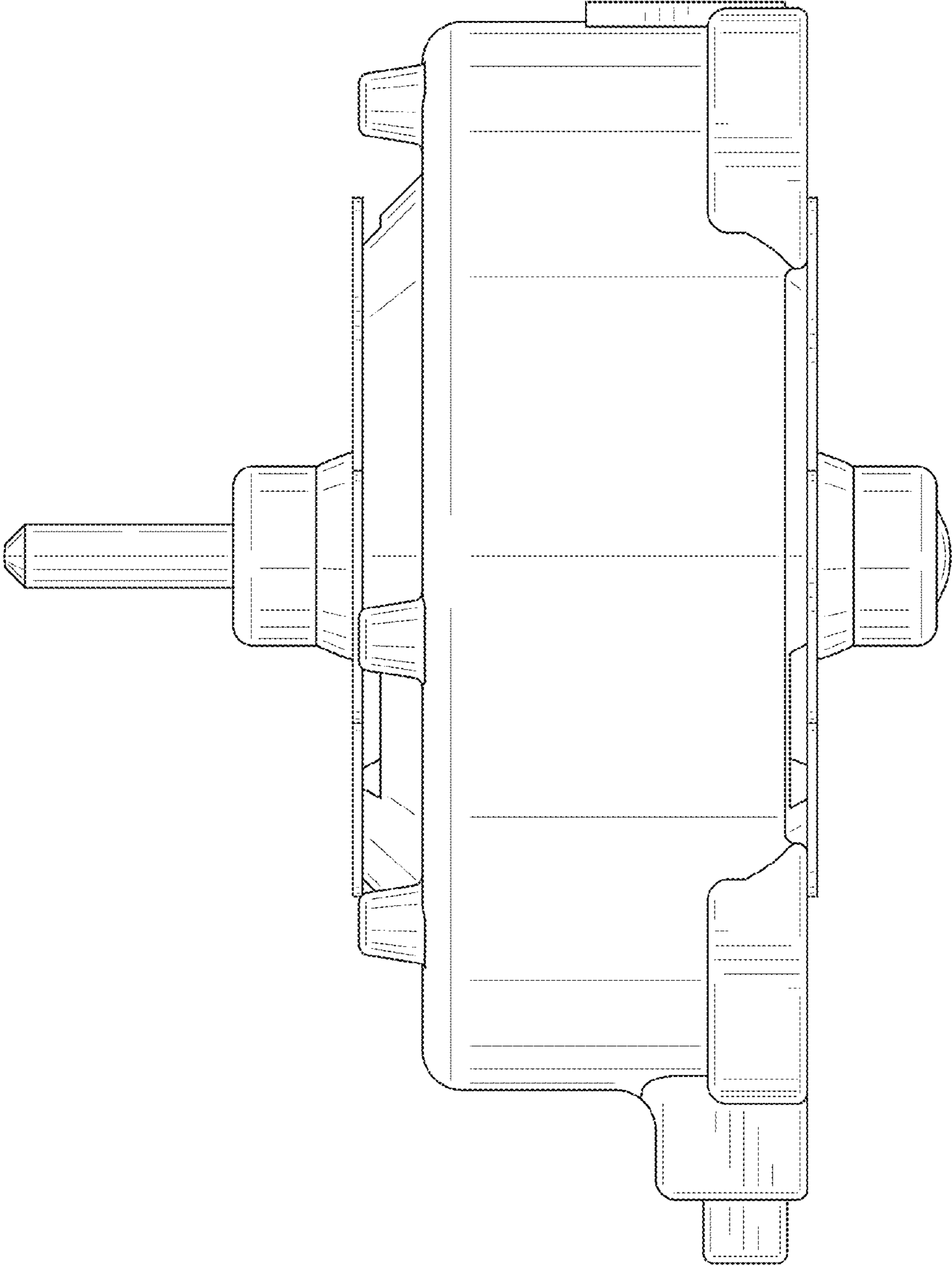


FIG. 7

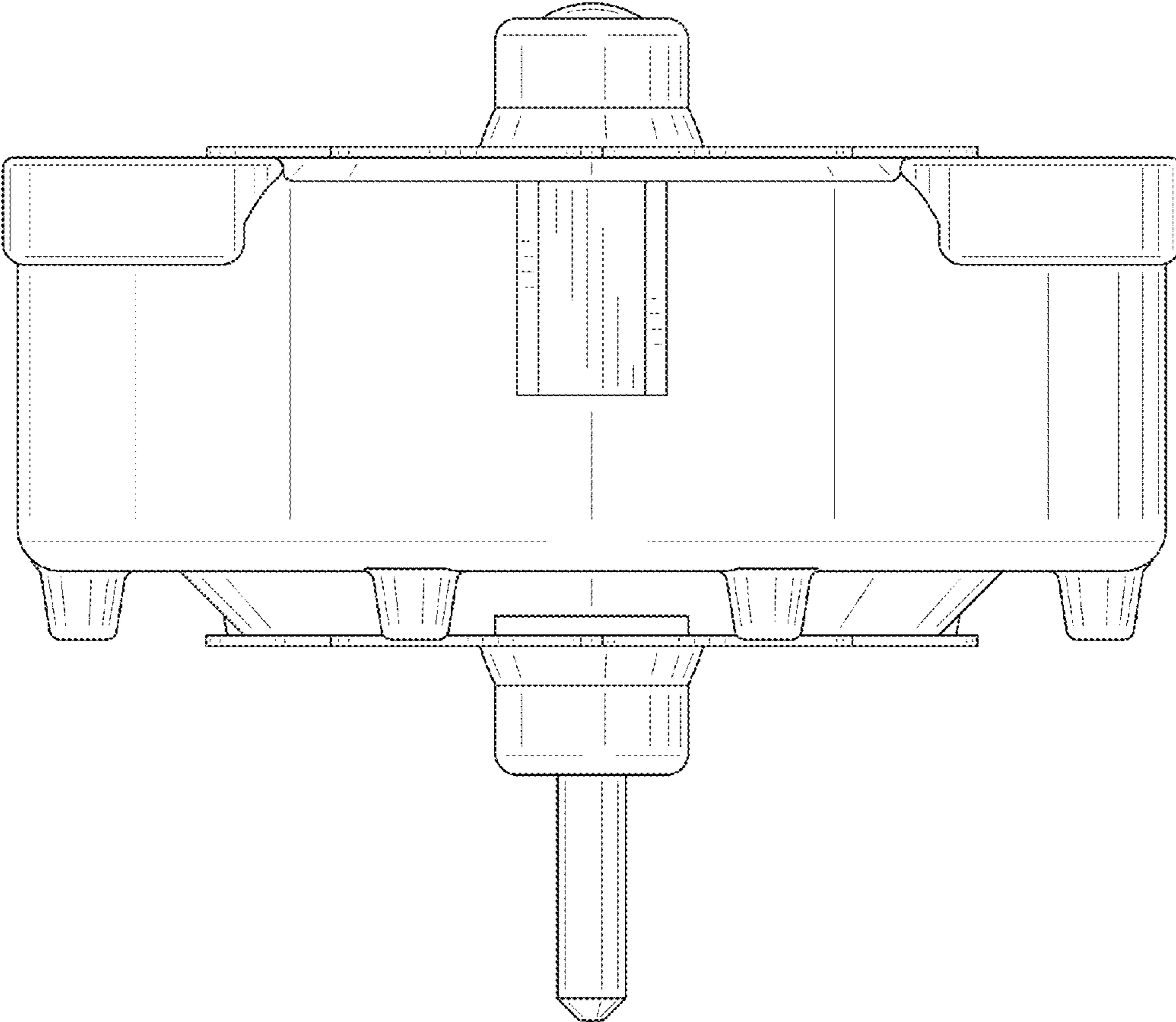


FIG. 8

