



US00D709448S

(12) **United States Design Patent**  
**Zhang et al.**

(10) **Patent No.:** **US D709,448 S**

(45) **Date of Patent:** **\*\* Jul. 22, 2014**

(54) **ELECTRONIC BALLAST**

(56) **References Cited**

(71) Applicant: **Shenzhen Longood Intelligent Electric Co., Ltd.**, Shenzhen (CN)

U.S. PATENT DOCUMENTS

(72) Inventors: **Yujie Zhang**, Anhui (CN); **Qingsong Chu**, Hunan (CN); **Jun Ding**, Chibi (CN)

D332,443 S *	1/1993	Sharpe .....	D13/184
D387,333 S *	12/1997	Pellow et al. ....	D13/179
5,742,478 A *	4/1998	Wu .....	361/704
5,909,358 A *	6/1999	Bradt .....	361/707
D427,147 S *	6/2000	Wei .....	D13/110
D427,969 S *	7/2000	Wei .....	D13/110
D429,703 S *	8/2000	Gauffin .....	D13/179
D524,245 S *	7/2006	Carson et al. ....	D13/110
D546,282 S *	7/2007	Wardenburg .....	D13/110
D551,621 S *	9/2007	Iacovelli et al. ....	D13/110
D558,142 S *	12/2007	Cho .....	D13/110
D581,580 S *	11/2008	Townsley .....	D26/118

(73) Assignee: **Shenzhen Longood Intelligent Electric Co., Ltd**, Shenzhen (CN)

(\*\*) Term: **14 Years**

\* cited by examiner

(21) Appl. No.: **29/466,156**

*Primary Examiner* — Derrick Holland

(22) Filed: **Sep. 4, 2013**

(57) **CLAIM**

(51) **LOC (10) Cl.** ..... **13-02**

The ornamental design for an electronic ballast, as shown and described.

(52) **U.S. Cl.**

**DESCRIPTION**

USPC ..... **D13/110**

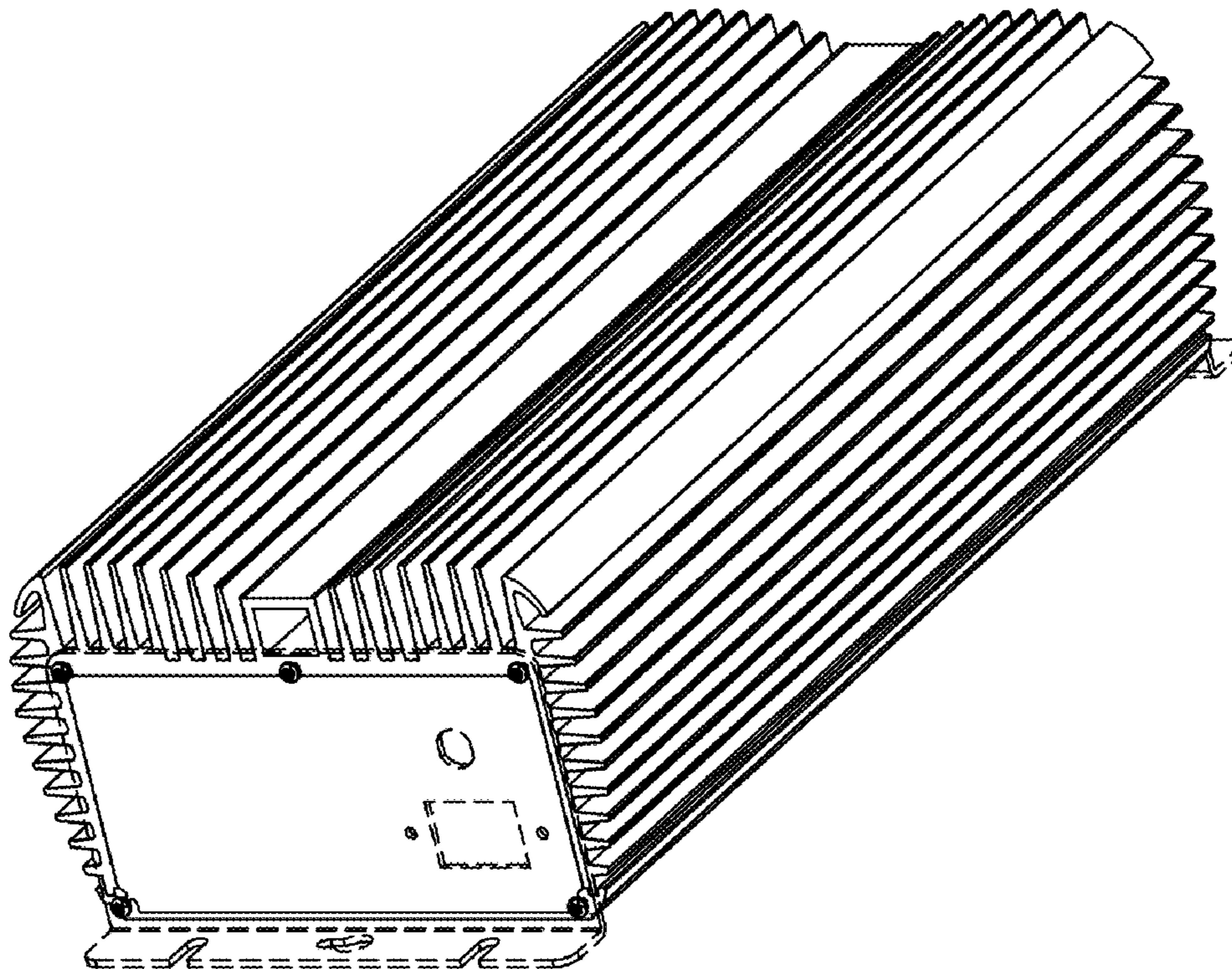
(58) **Field of Classification Search**

USPC ..... D13/110, 103, 107, 108, 118, 119, 123, D13/133, 137.1, 184, 199; D14/188, 240, D14/251, 356, 432, 433, 434; 174/53, 54, 174/59, 61; 307/11, 150, 151; 320/107, 320/111, 112, 113, 114, 115; 361/679.01; 363/142, 146; 439/131, 172, 626, 628, 439/638

FIG. 1 is a right, front perspective view of an electronic ballast showing our new design;  
FIG. 2 is a top plan view thereof;  
FIG. 3 is a side elevation view thereof, the opposite side being a mirror image;  
FIG. 4 is a front view thereof; and,  
FIG. 5 is a rear view thereof.  
The broken line showing of an electronic ballast represents unclaimed subject matter and forms no part of the claimed design.

See application file for complete search history.

**1 Claim, 4 Drawing Sheets**



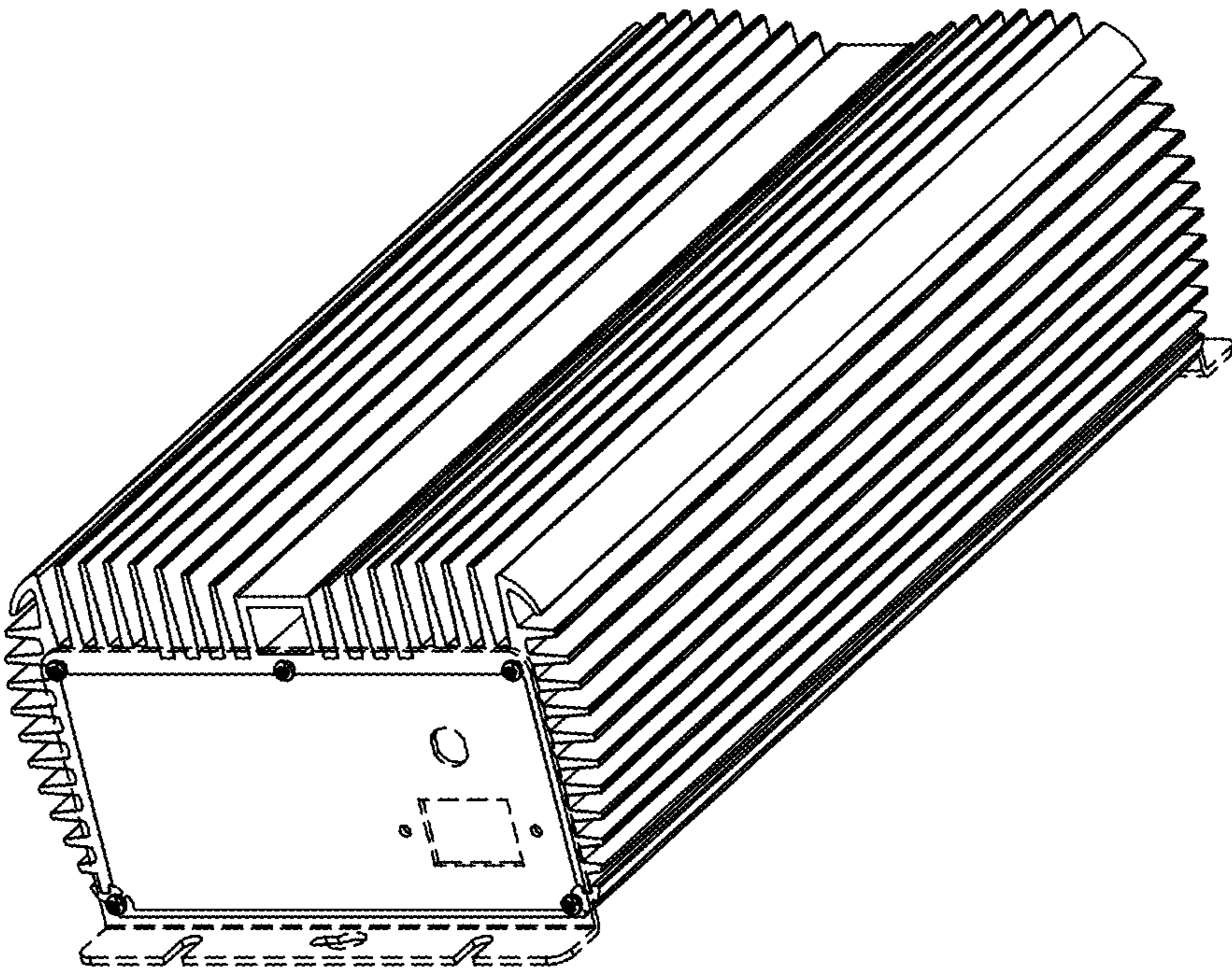


FIG. 1

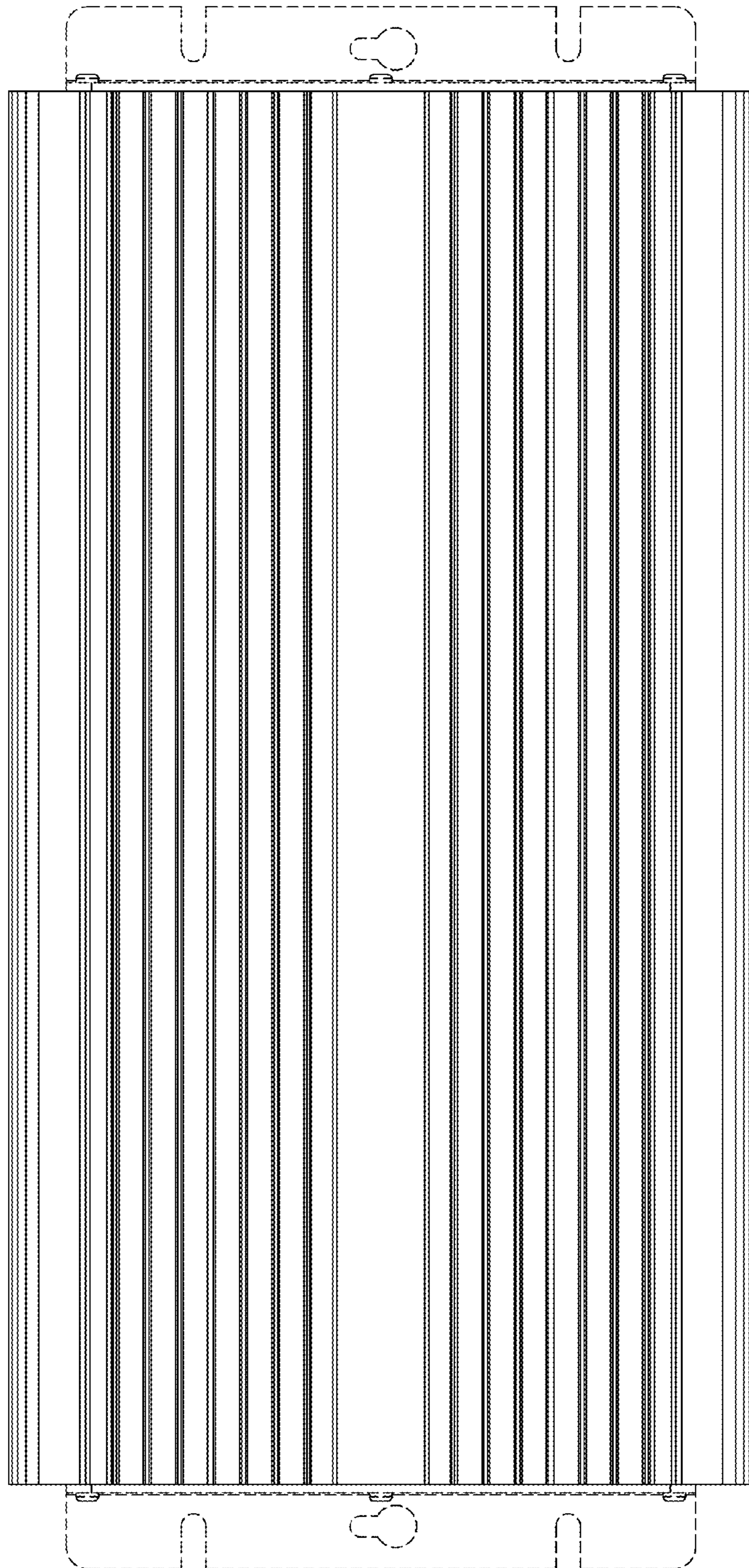


FIG. 2

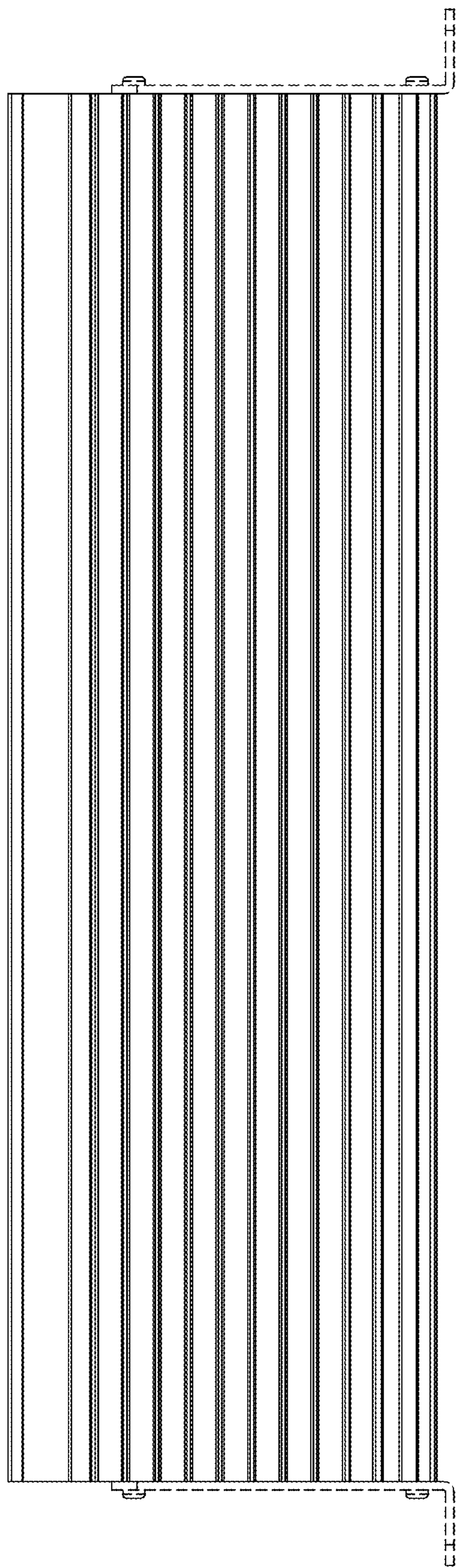


FIG. 3

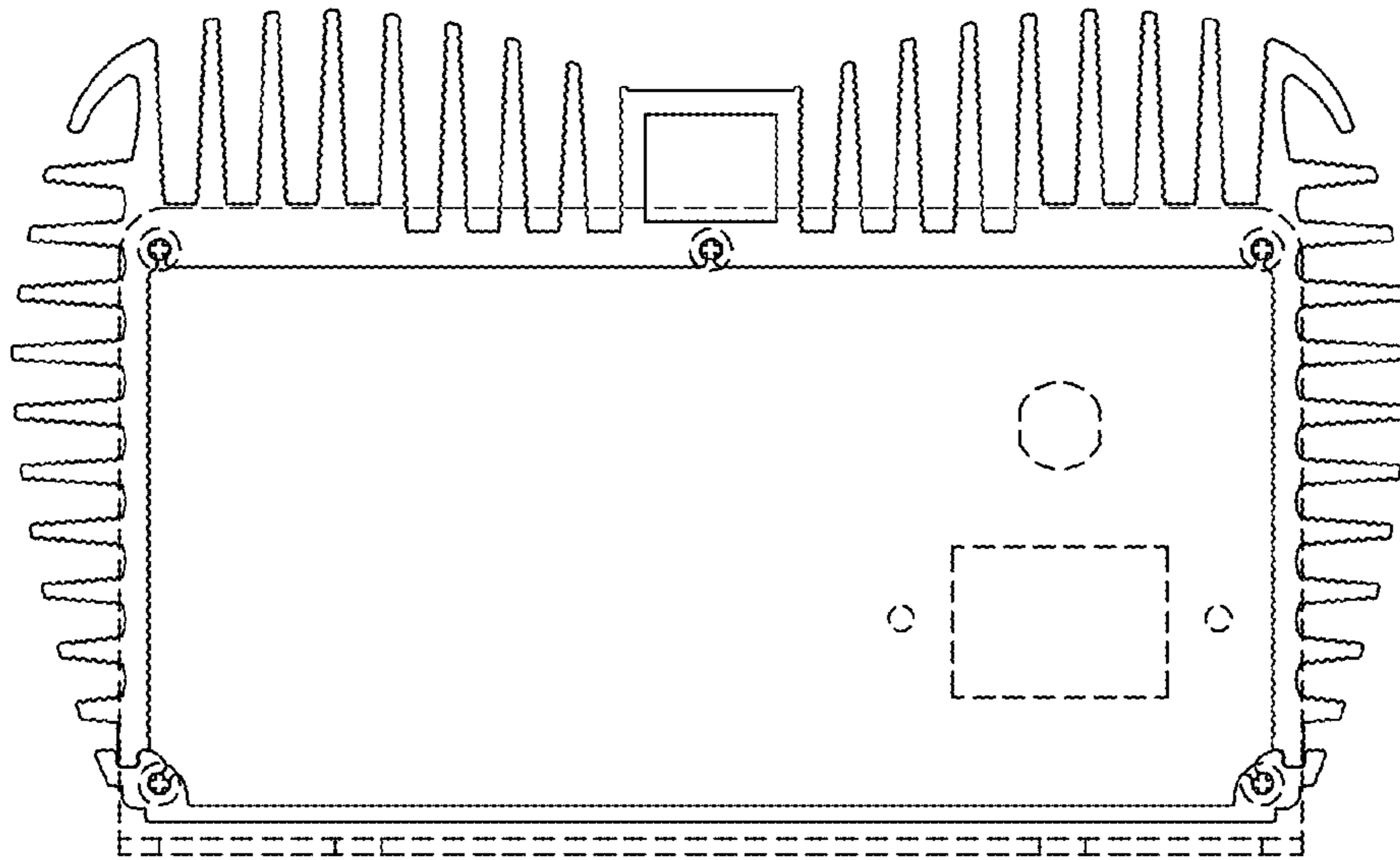


FIG. 4

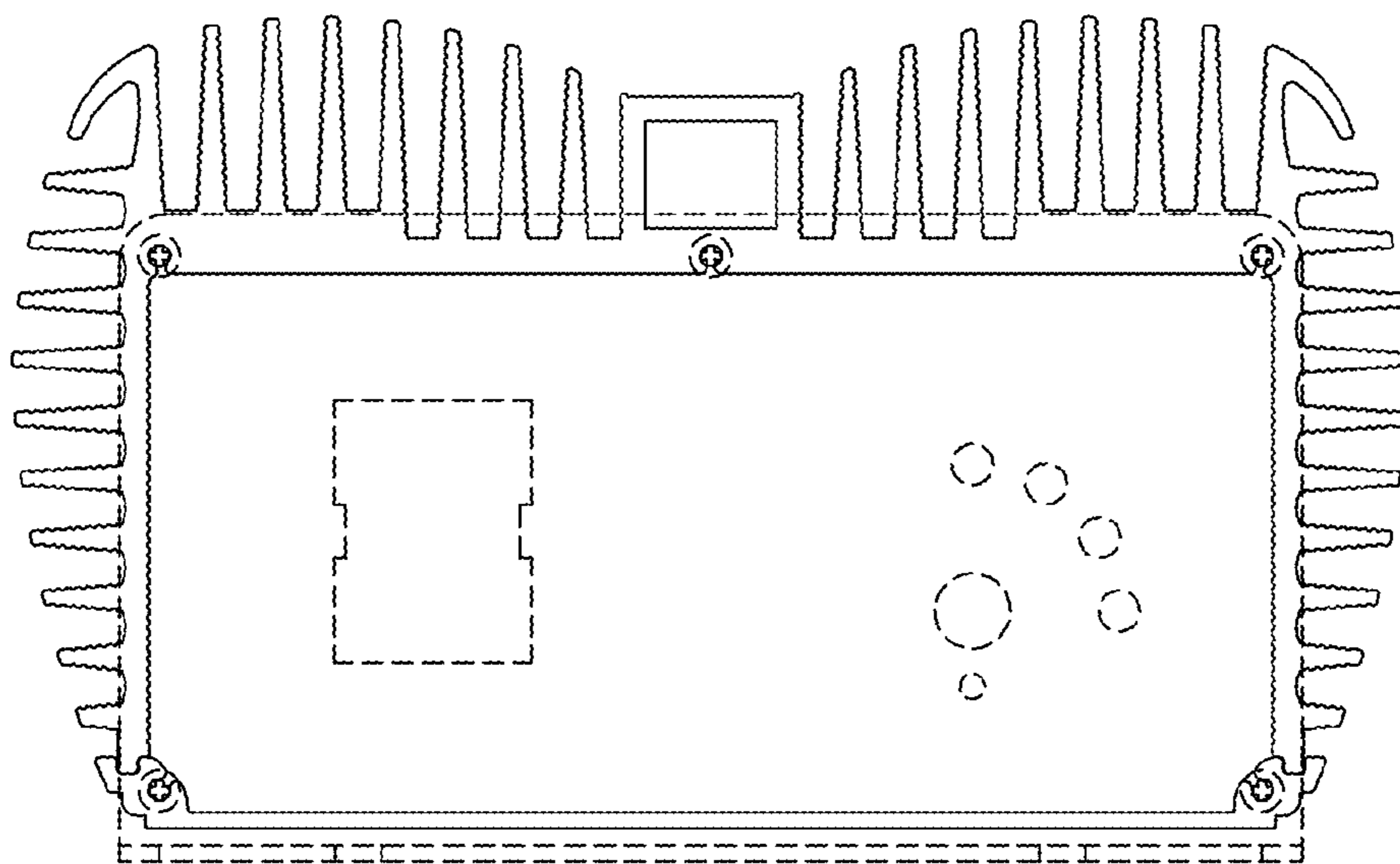


FIG. 5