



US00D709447S

(12) **United States Design Patent**  
**Ibuki et al.**

(10) **Patent No.:** **US D709,447 S**  
(45) **Date of Patent:** **\*\* Jul. 22, 2014**

(54) **BATTERY CHARGER STAND FOR ELECTRONIC EQUIPMENT**

(71) Applicant: **Nintendo Co., Ltd.**, Kyoto (JP)

(72) Inventors: **Masato Ibuki**, Kyoto (JP); **Daisuke Kumazaki**, Kyoto (JP); **Masahiko Nishimura**, Kyoto (JP); **Hironori Furuike**, Kyoto (JP)

(73) Assignee: **Nintendo Co., Ltd.**, Kyoto (JP)

(\*\*) Term: **14 Years**

(21) Appl. No.: **29/472,607**

(22) Filed: **Nov. 14, 2013**

(30) **Foreign Application Priority Data**

May 29, 2013 (JP) ..... 2013-011873

(51) **LOC (10) Cl.** ..... **13-02**

(52) **U.S. Cl.**  
USPC ..... **D13/108**

(58) **Field of Classification Search**  
USPC ..... D13/107-110, 118-119, 184, 199;  
D14/251, 253, 432, 434; 320/107-115  
See application file for complete search history.

(56) **References Cited**

**U.S. PATENT DOCUMENTS**

D199,728 S \* 12/1964 Hall ..... D4/199  
D308,267 S \* 5/1990 Bradd ..... D32/31  
D351,133 S \* 10/1994 Jungels-Butler et al. .... D13/108

D361,978 S 9/1995 Shirai et al.  
D454,837 S 3/2002 Ibuki et al.  
D461,814 S \* 8/2002 Felix et al. .... D14/434  
D515,029 S \* 2/2006 Hattori ..... D13/108  
D563,867 S \* 3/2008 Ahlgren ..... D13/107  
D575,350 S \* 8/2008 Ashida et al. .... D21/333  
D609,637 S \* 2/2010 Chu et al. .... D13/108  
D609,638 S \* 2/2010 Biheller et al. .... D13/108  
D638,831 S \* 5/2011 Paradise ..... D14/253  
D669,461 S \* 10/2012 Wikel ..... D14/253

**OTHER PUBLICATIONS**

Design U.S. Appl. No. 29/472,625, filed Nov. 14, 2013.

\* cited by examiner

*Primary Examiner* — Rosemary K Tarcza

(74) *Attorney, Agent, or Firm* — Nixon & Vanderhye PC

(57) **CLAIM**

The ornamental designs for a battery charger stand for electronic equipment, as shown and described.

**DESCRIPTION**

FIG. 1 is a front, bottom and right perspective view of a battery charger stand for electronic equipment of our new design;

FIG. 2 is a rear, top and left perspective view thereof;

FIG. 3 is a front view thereof;

FIG. 4 is a rear view thereof;

FIG. 5 is a top plan view thereof;

FIG. 6 is a bottom plan view thereof;

FIG. 7 is a left side view thereof;

FIG. 8 is a right side view thereof; and,

FIG. 9 is a sectional view taken along line 9-9 in FIG. 3.

**1 Claim, 3 Drawing Sheets**

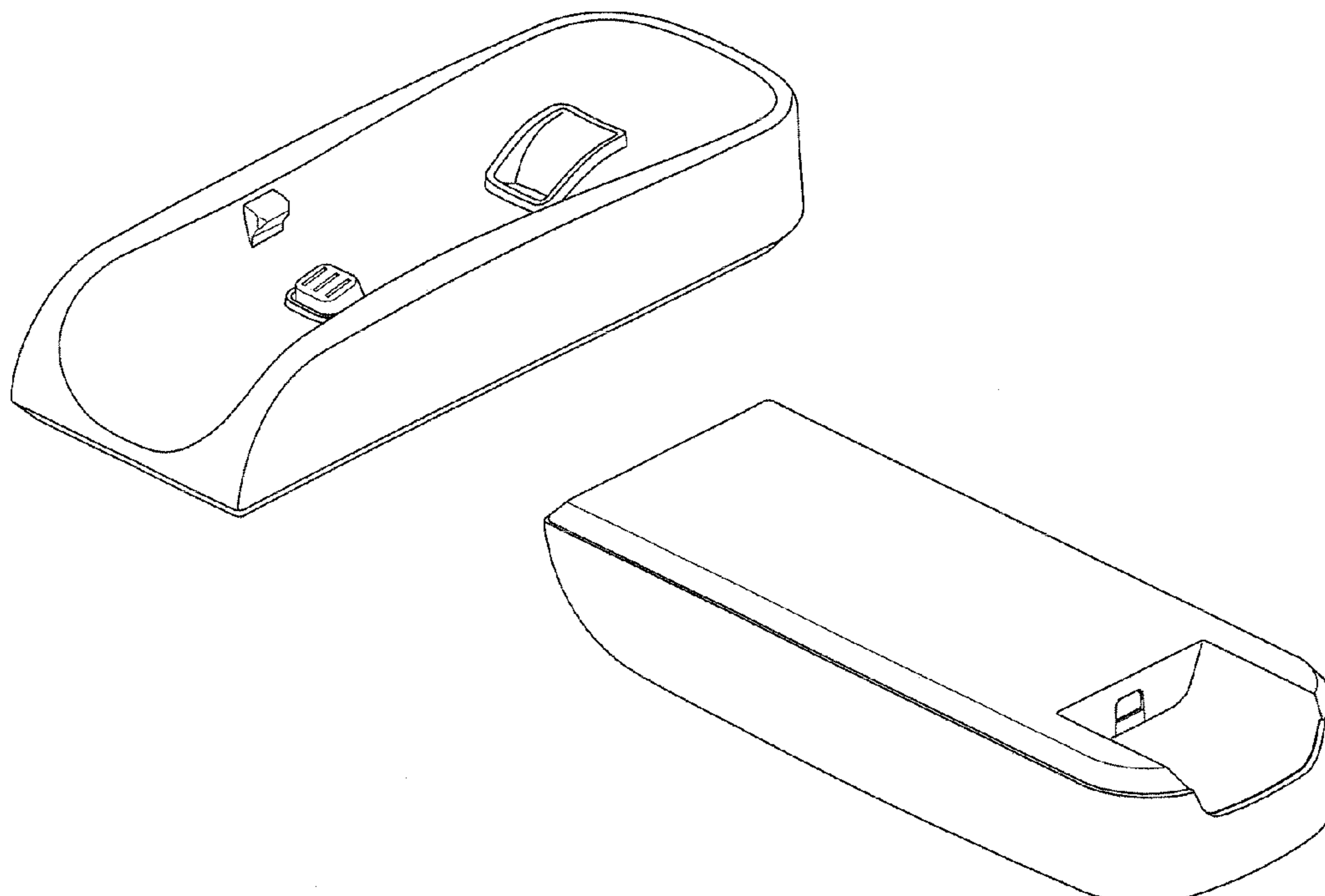


FIG. 1

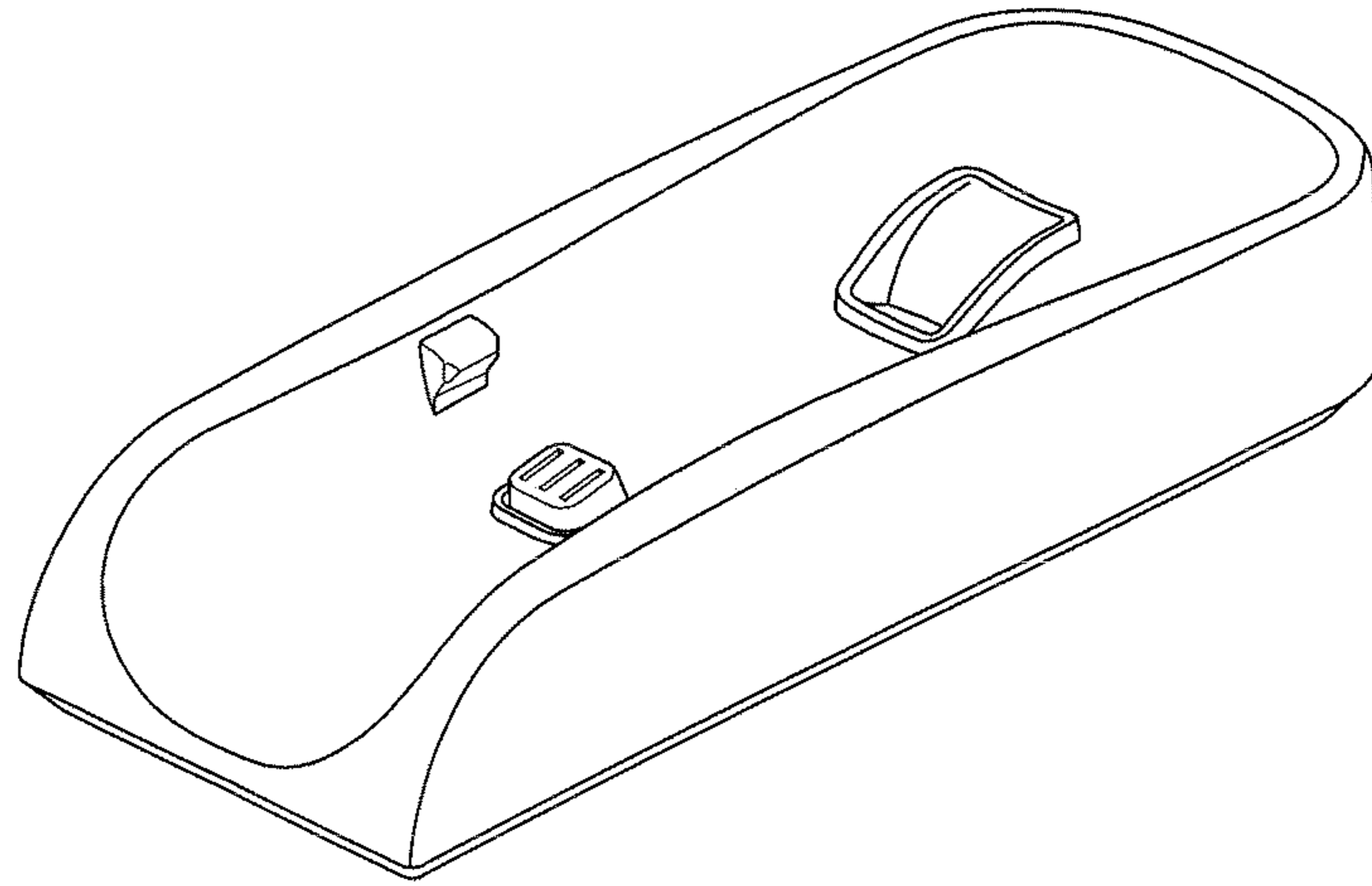


FIG. 2

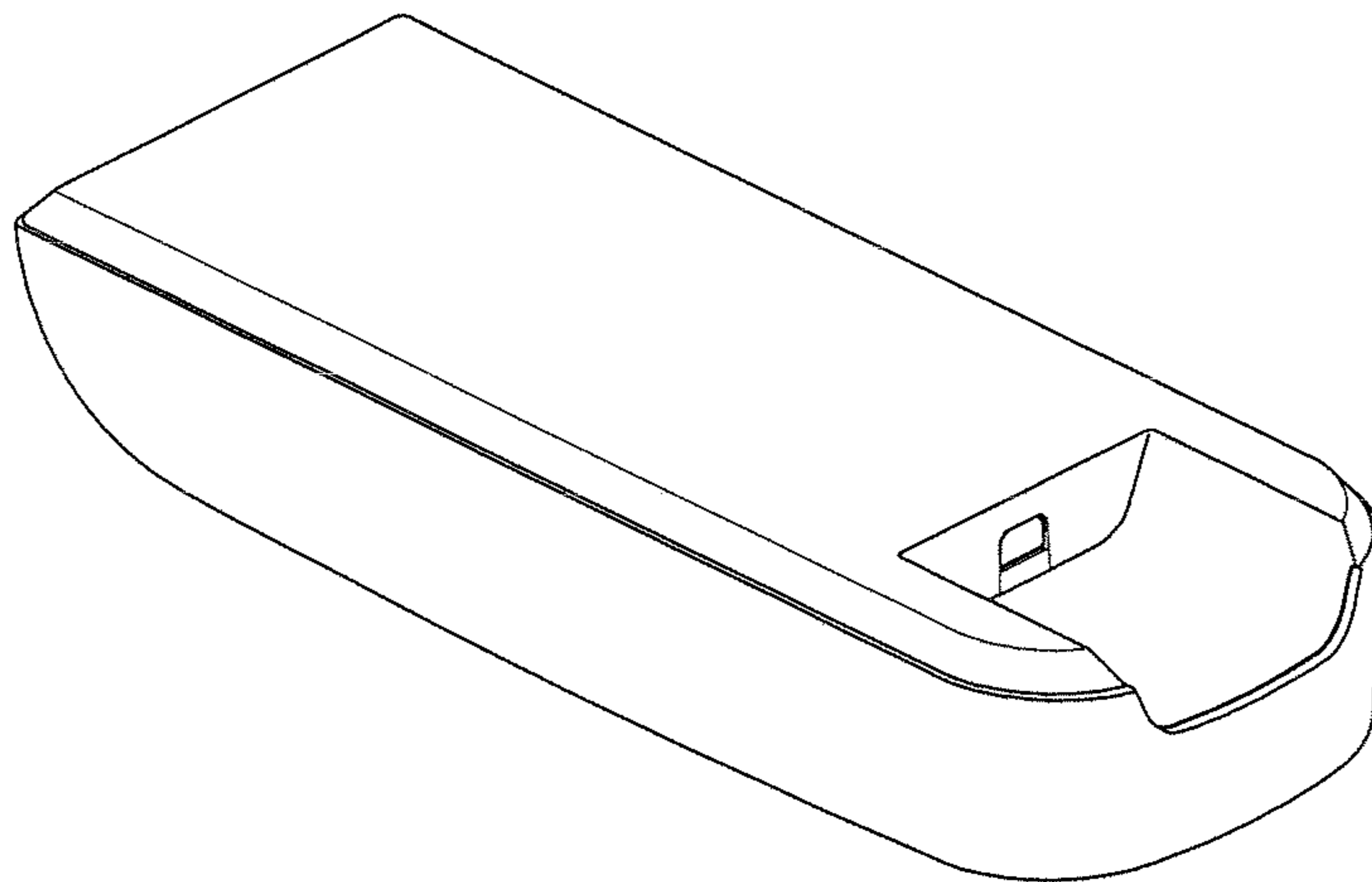


FIG. 3

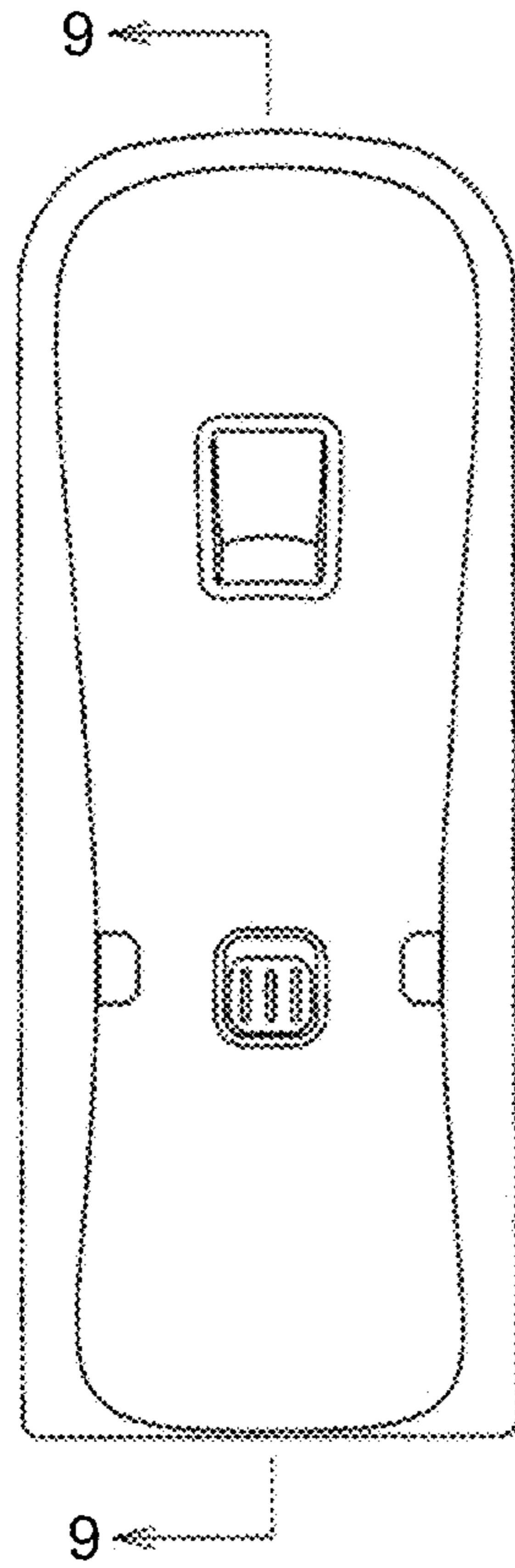


FIG. 4

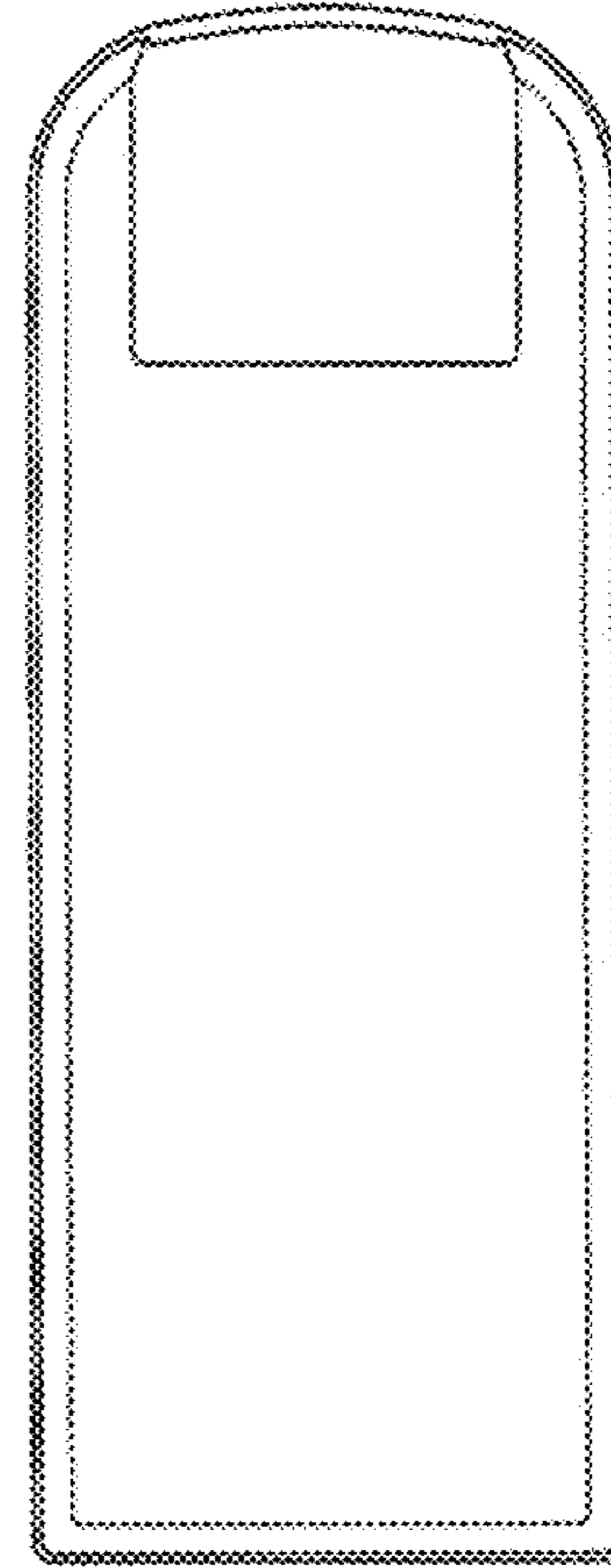


FIG. 5

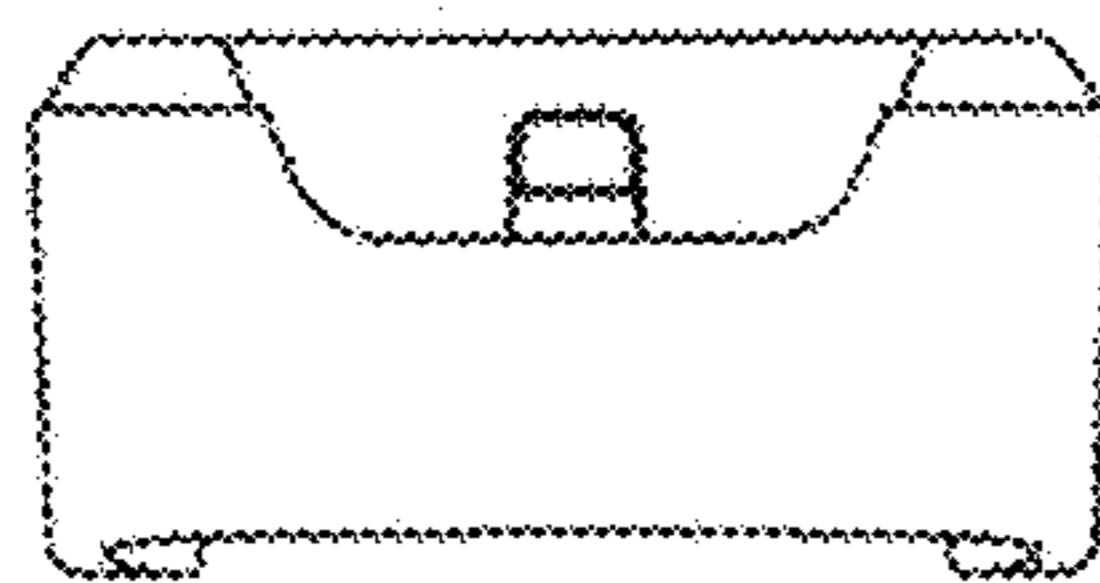


FIG. 6

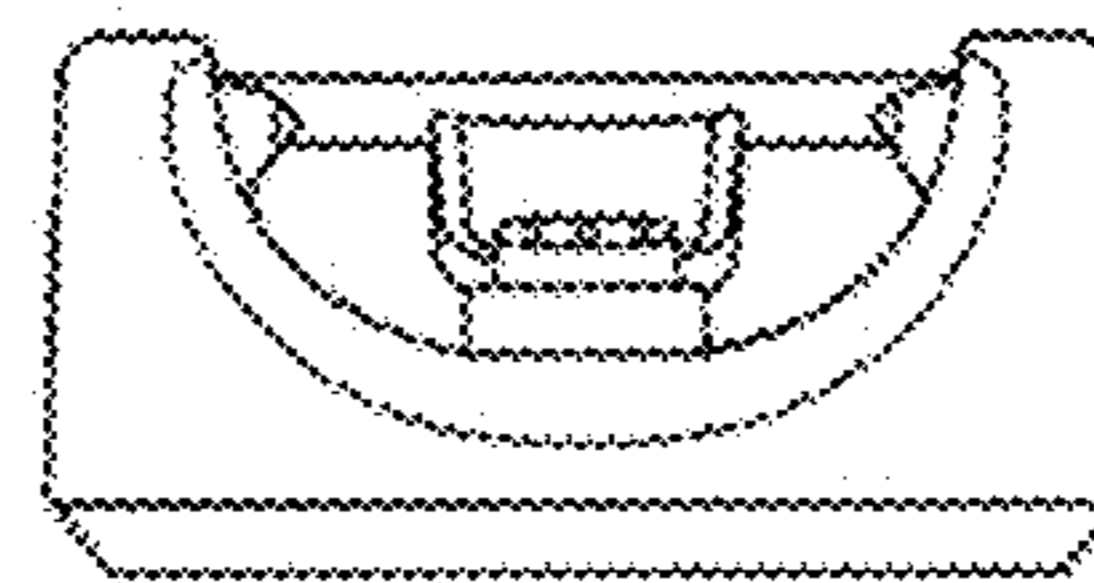


FIG. 7

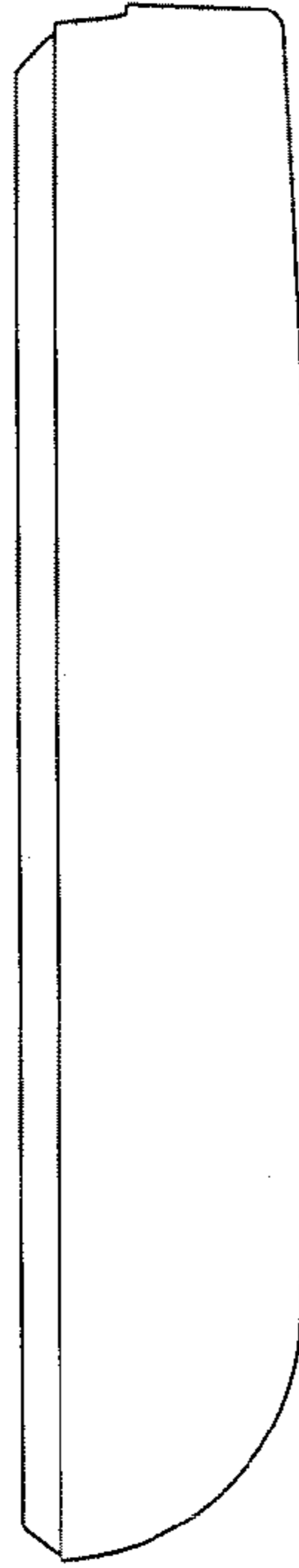


FIG. 8

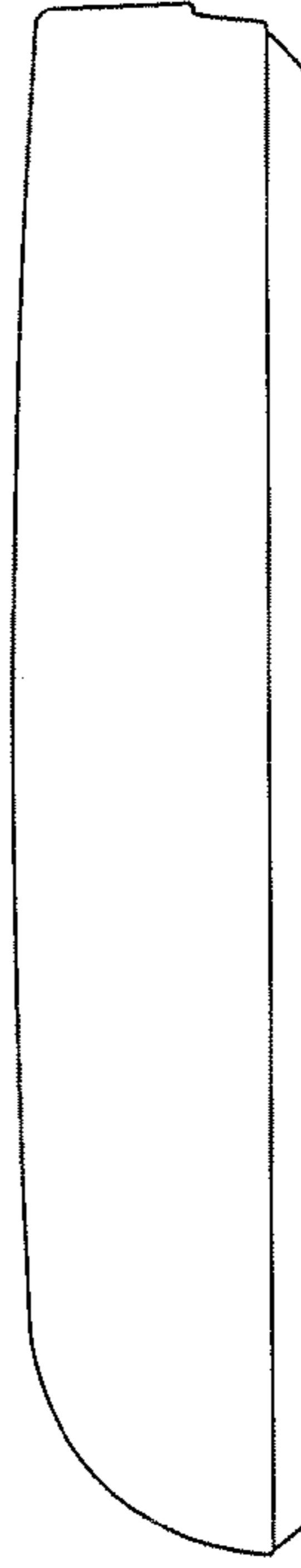


FIG. 9

