

US00D709445S

(12) **United States Design Patent**  
**Yeh**

(10) **Patent No.:** **US D709,445 S**

(45) **Date of Patent:** **\*\* Jul. 22, 2014**

(54) **MULTIPLE TABLET AND CELLULAR TELEPHONE CHARGING STATION**

(71) Applicant: **Magnadyne Corporation**, Compton, CA (US)

(72) Inventor: **Wen-Tsan Yeh**, Torrance, CA (US)

(73) Assignee: **Magnadyne Corporation**, Compton, CA (US)

(\*\*) Term: **14 Years**

(21) Appl. No.: **29/477,509**

(22) Filed: **Dec. 23, 2013**

(51) **LOC (10) Cl.** ..... **13-02**

(52) **U.S. Cl.**  
USPC ..... **D13/107**

(58) **Field of Classification Search**

CPC ..... Y02E 60/12; Y02T 90/14; Y02T 90/122; Y02T 90/128; Y02T 90/163; H02J 7/025; H02J 7/0042; H02J 7/0044; H02J 7/0045; H02J 7/0003; H01F 38/14; H01R 13/6675; H01M 2/1022; H01M 2/1055; H01M 10/44; H01M 10/46; H01M 10/425; B60L 11/182  
USPC ..... D13/107-110, 118-119, 184, 199; D14/251, 253, 432, 434; 320/107-115

See application file for complete search history.

(56) **References Cited**

U.S. PATENT DOCUMENTS

|              |    |   |         |                 |       |         |
|--------------|----|---|---------|-----------------|-------|---------|
| D322,060     | S  | * | 12/1991 | Iino            | ..... | D13/107 |
| D348,246     | S  | * | 6/1994  | Alfonso         | ..... | D13/107 |
| 5,659,236    | A  | * | 8/1997  | Hahn            | ..... | 320/111 |
| D388,764     | S  | * | 1/1998  | Bartling et al. | ..... | D13/107 |
| D454,880     | S  | * | 3/2002  | Ying et al.     | ..... | D14/434 |
| D512,019     | S  | * | 11/2005 | Lie             | ..... | D13/108 |
| D631,435     | S  | * | 1/2011  | Cacioppo et al. | ..... | D13/107 |
| D638,790     | S  | * | 5/2011  | Daniel          | ..... | D13/108 |
| 7,956,573    | B1 | * | 6/2011  | Rosen           | ..... | 320/110 |
| D647,881     | S  | * | 11/2011 | Warner          | ..... | D14/217 |
| D669,430     | S  | * | 10/2012 | Budike          | ..... | D13/108 |
| D675,622     | S  | * | 2/2013  | Petrick et al.  | ..... | D14/434 |
| 2011/0062915 | A1 | * | 3/2011  | Shin et al.     | ..... | 320/107 |

\* cited by examiner

*Primary Examiner* — Rosemary K Tarcza

(74) *Attorney, Agent, or Firm* — Brooks Yushman P.C.

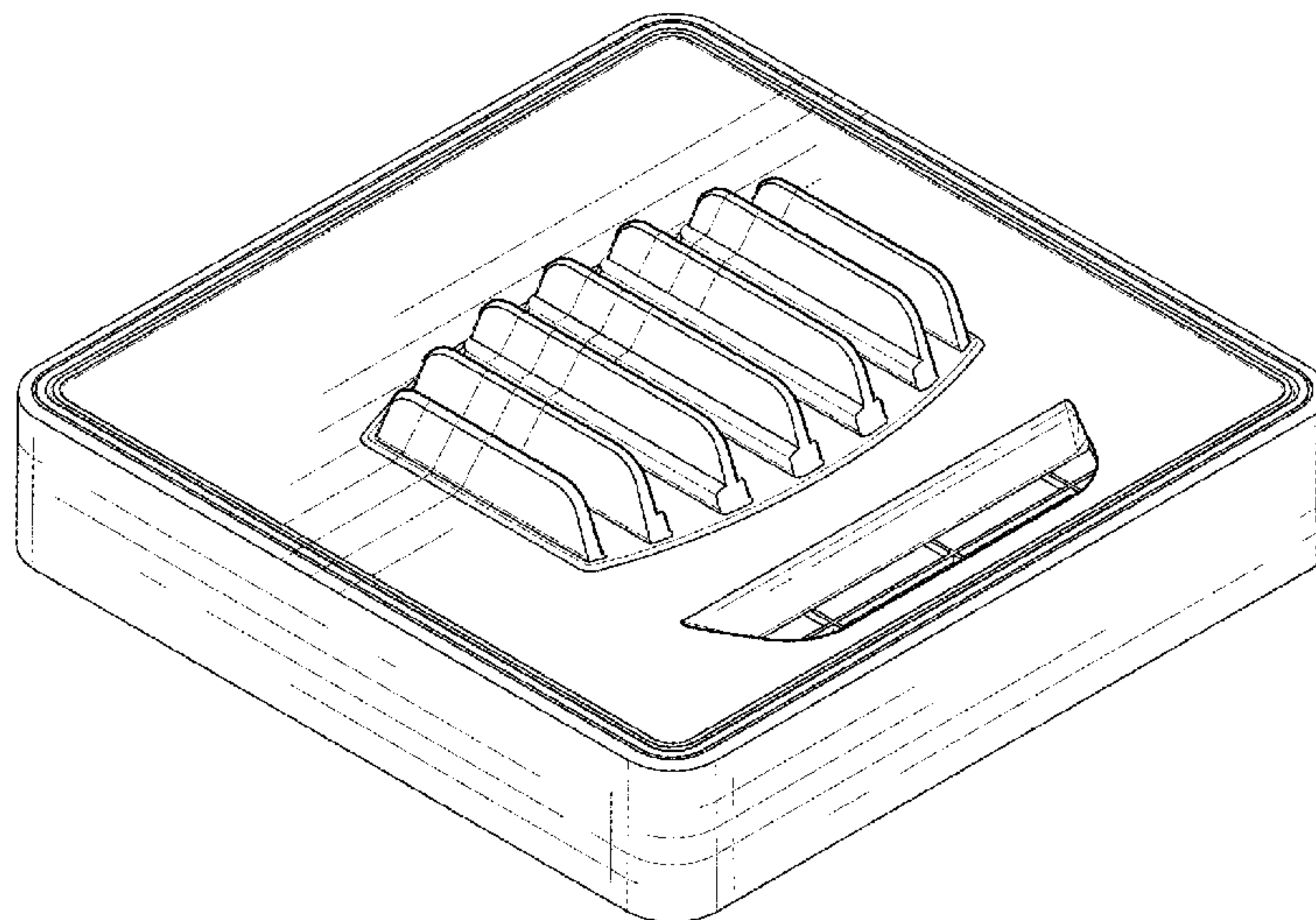
(57) **CLAIM**

The ornamental design for a multiple tablet and cellular telephone charging station, as shown and described.

**DESCRIPTION**

FIG. 1 is a perspective view of a multiple tablet and cellular telephone charging station;  
FIG. 2 is a front elevation view thereof;  
FIG. 3 is a rear elevation view thereof;  
FIG. 4 is a right side elevation view thereof;  
FIG. 5 is a left side elevation view thereof;  
FIG. 6 is a top plan view thereof; and,  
FIG. 7 is a bottom plan view thereof.  
The broken lines are for illustrative purposes only and form no part of the claimed design.

**1 Claim, 3 Drawing Sheets**



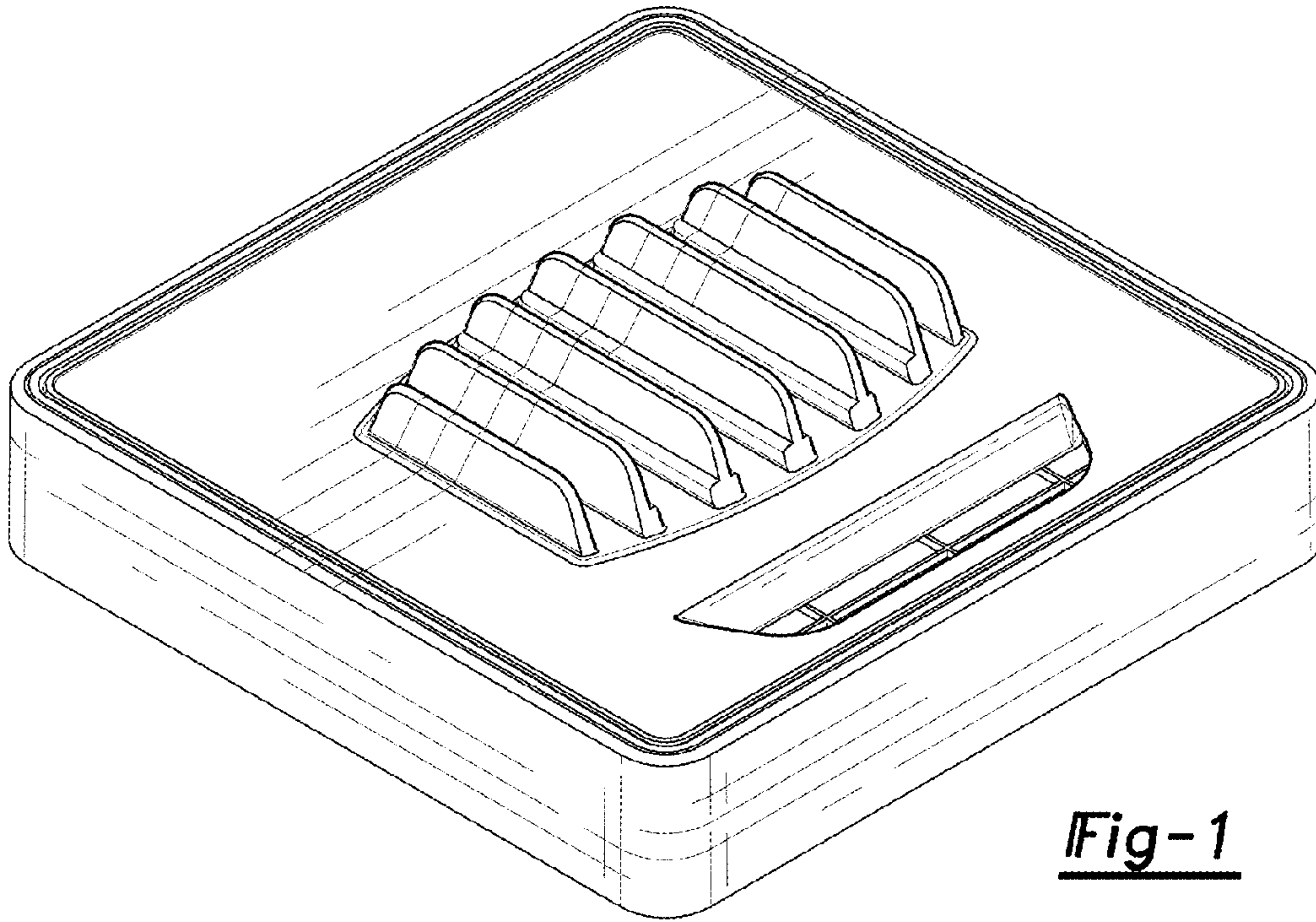


Fig-1

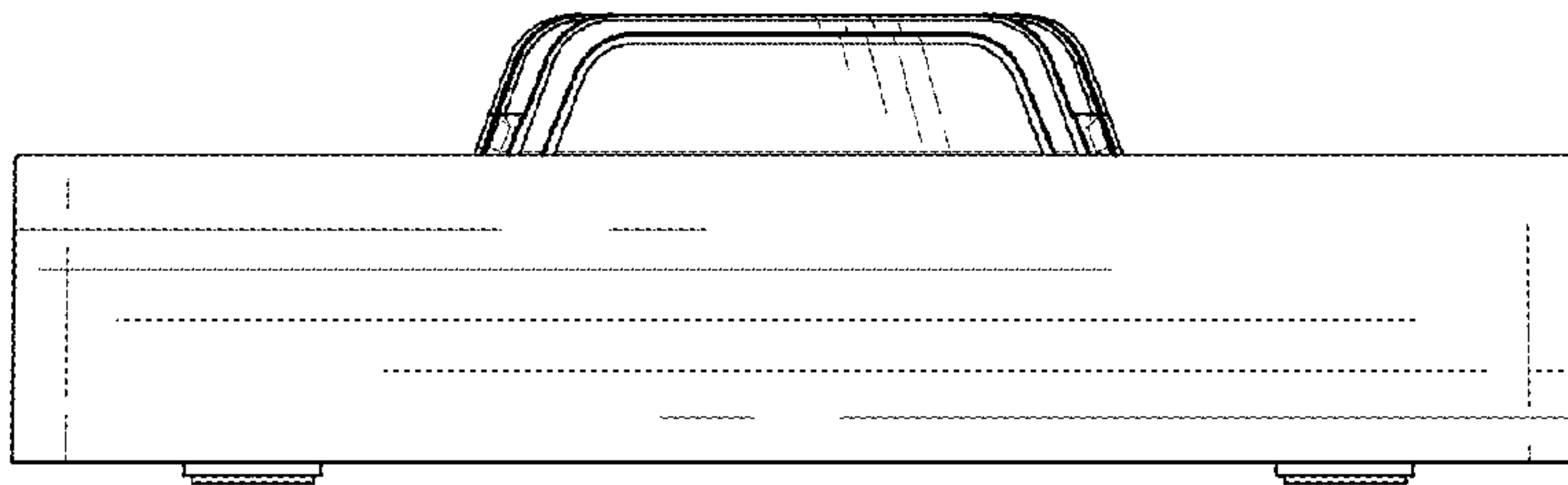


Fig-2

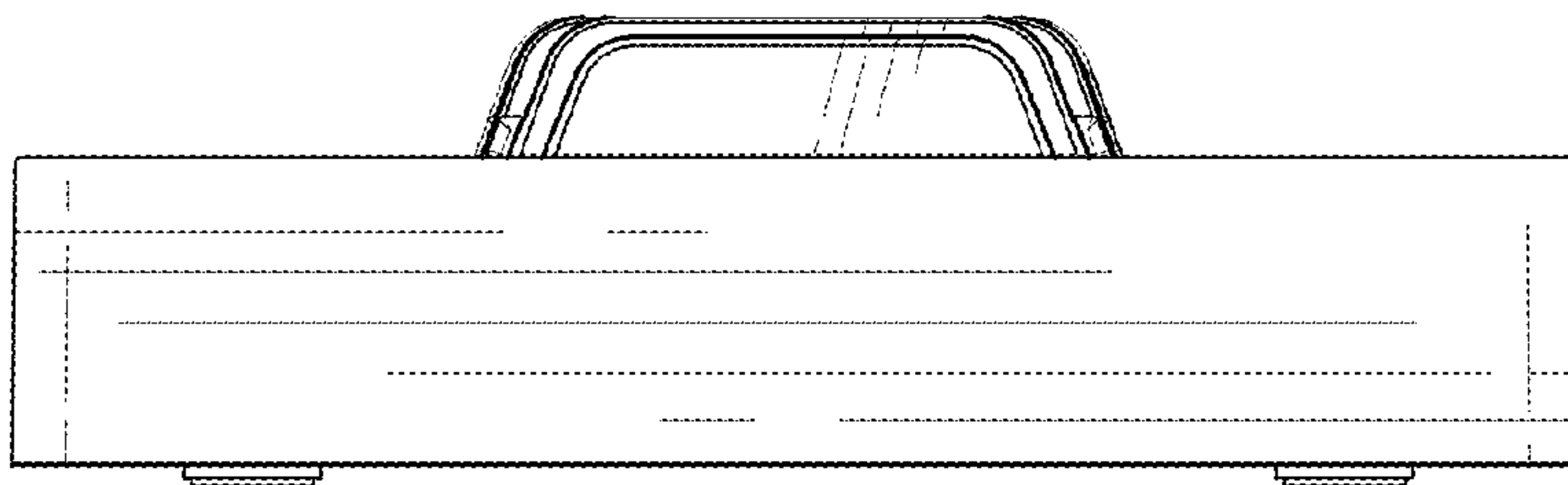


Fig-3

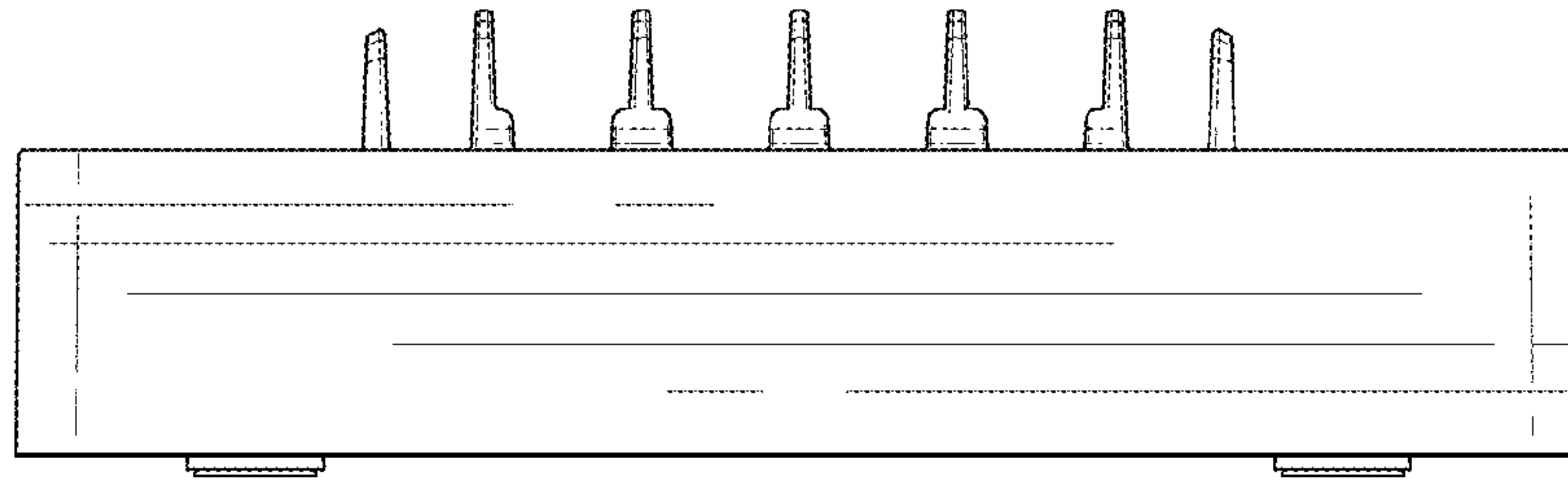


Fig-4

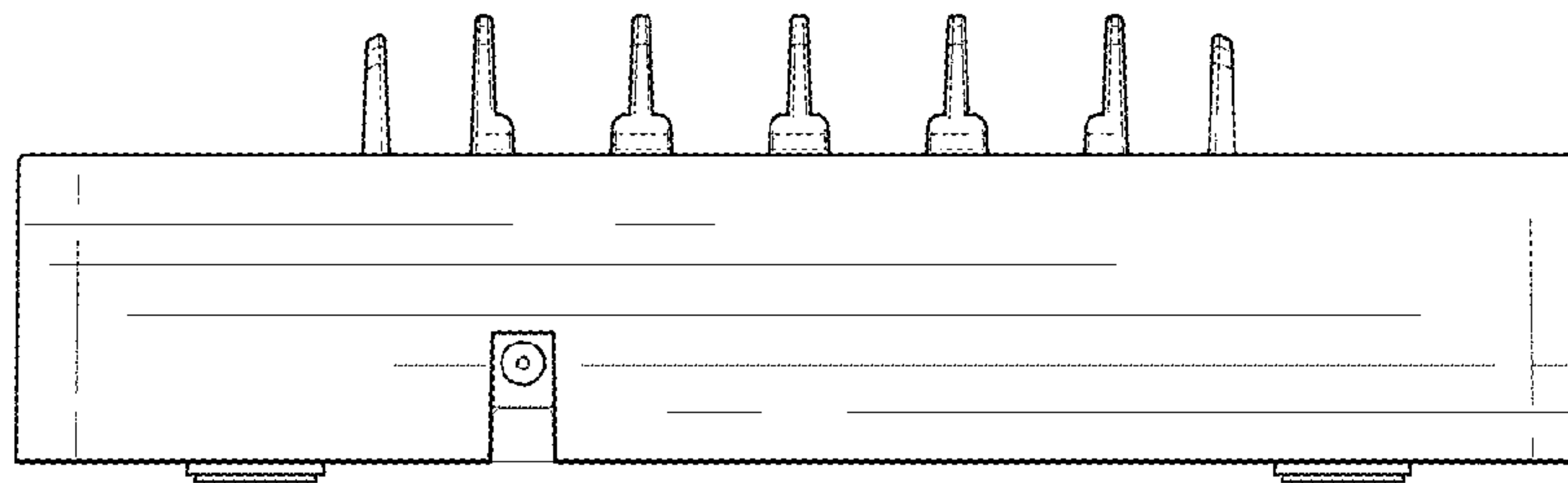


Fig-5

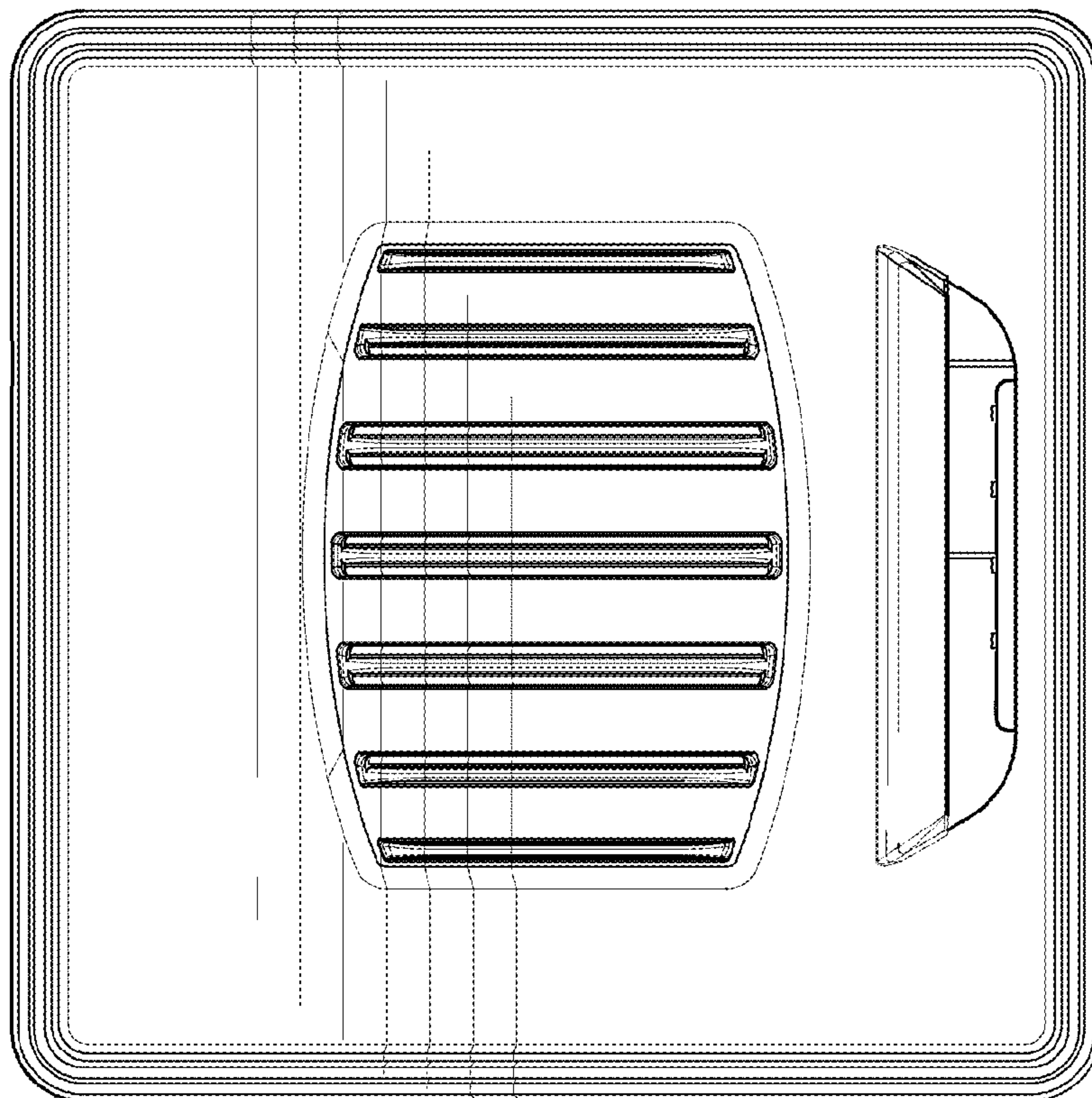


Fig-6

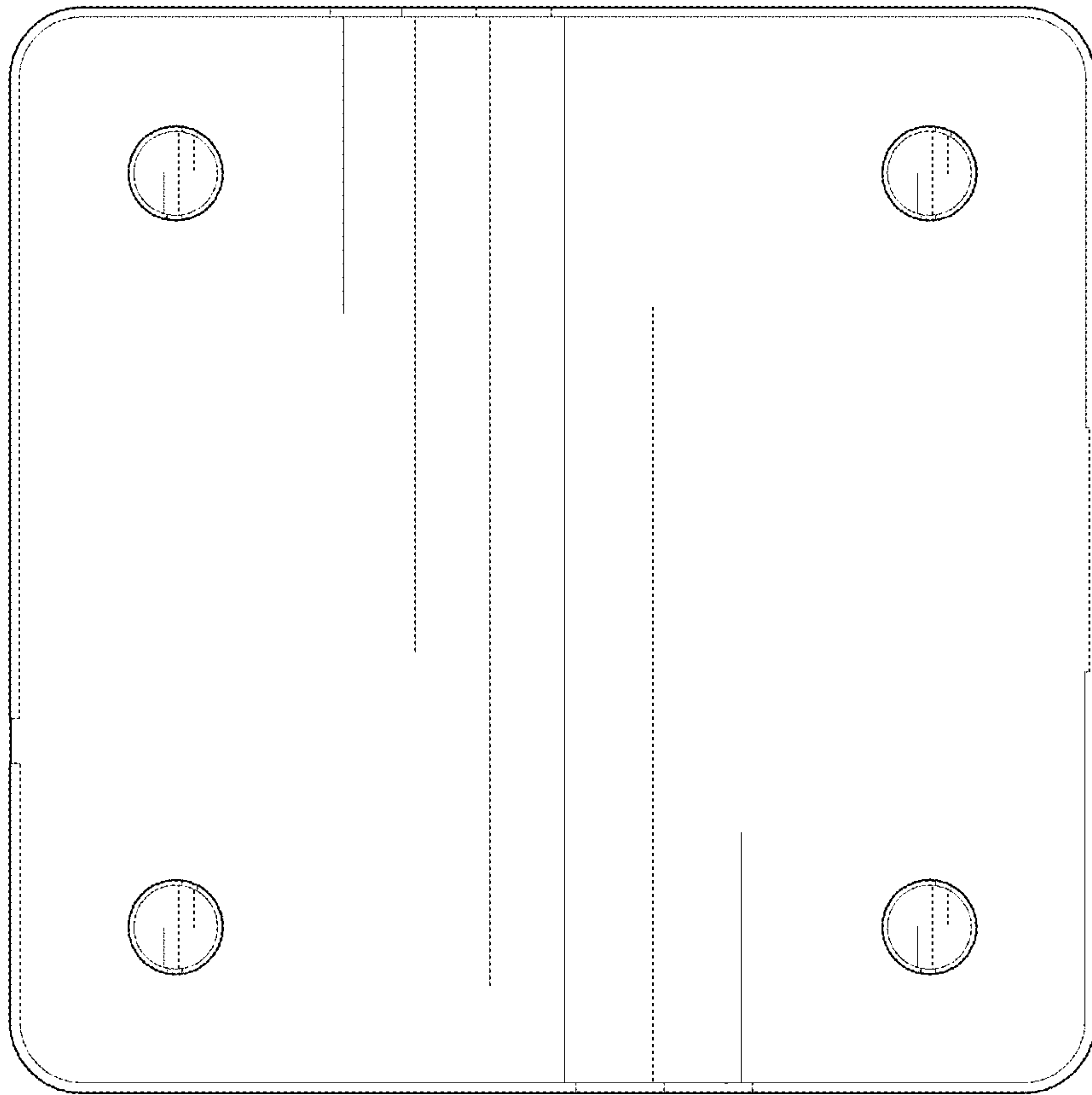


Fig-7