



US00D709444S

(12) **United States Design Patent**
Ibuki et al.

(10) **Patent No.:** **US D709,444 S**
(45) **Date of Patent:** **** Jul. 22, 2014**

(54) **STORAGE BATTERY**

(71) Applicant: **Nintendo Co., Ltd.**, Kyoto (JP)

(72) Inventors: **Masato Ibuki**, Kyoto (JP); **Daisuke Kumazaki**, Kyoto (JP); **Masahiko Nishimura**, Kyoto (JP); **Hironori Furuike**, Kyoto (JP)

(73) Assignee: **Nintendo Co., Ltd.**, Kyoto (JP)

(**) Term: **14 Years**

(21) Appl. No.: **29/472,615**

(22) Filed: **Nov. 14, 2013**

(30) **Foreign Application Priority Data**

May 29, 2013 (JP) 2013-011874

(51) **LOC (10) Cl.** **13-02**

(52) **U.S. Cl.**
USPC **D13/103**

(58) **Field of Classification Search**
USPC D13/102-104, 110, 118-121, 184, 199;
429/96-100, 163, 176
See application file for complete search history.

(56) **References Cited**

U.S. PATENT DOCUMENTS

D225,109 S *	11/1972	Flider	D13/119
D331,566 S *	12/1992	Seymour	D13/103
D401,215 S *	11/1998	Moskowitz et al.	D13/103
D407,063 S *	3/1999	Reis et al.	D13/103
D435,827 S *	1/2001	Rausch et al.	D13/103
D454,837 S	3/2002	Ibuki et al.		
D457,133 S	5/2002	Yoneyama		
D460,411 S *	7/2002	Wang	D13/103

D478,866 S	8/2003	Nakai		
D506,065 S	6/2005	Sugino et al.		
D546,277 S *	7/2007	Andre et al.	D13/103
D555,587 S	11/2007	Yamamoto et al.		
D576,545 S *	9/2008	Mandel et al.	D13/103
D601,494 S	10/2009	Otani et al.		
D613,244 S *	4/2010	Palmer et al.	D13/103
D623,590 S	9/2010	Otani et al.		
D624,011 S *	9/2010	Bertagnole et al.	D13/103
D639,729 S *	6/2011	Cullen et al.	D13/103
D645,814 S	9/2011	Otani et al.		
D684,114 S	6/2013	Otani et al.		
D686,569 S *	7/2013	Lau	D13/103
D694,176 S *	11/2013	Buetow et al.	D13/103

OTHER PUBLICATIONS

Design U.S. Appl. No. 29/455,022, filed May 16, 2013, pending.
Design U.S. Appl. No. 29/454,917, filed May 15, 2013, pending.

* cited by examiner

Primary Examiner — Rosemary K Tarcza

(74) *Attorney, Agent, or Firm* — Nixon & Vanderhye PC

(57) **CLAIM**

The ornamental design for a storage battery, as shown and described.

DESCRIPTION

FIG. 1 is a front, top and right perspective view of a storage battery of our new design;
FIG. 2 is a rear, bottom and left perspective view thereof;
FIG. 3 is a front view thereof;
FIG. 4 is a rear view thereof;
FIG. 5 is a top plan view thereof;
FIG. 6 is a bottom plan view thereof,
FIG. 7 is a left side view thereof; and,
FIG. 8 is a right side view thereof.

1 Claim, 3 Drawing Sheets

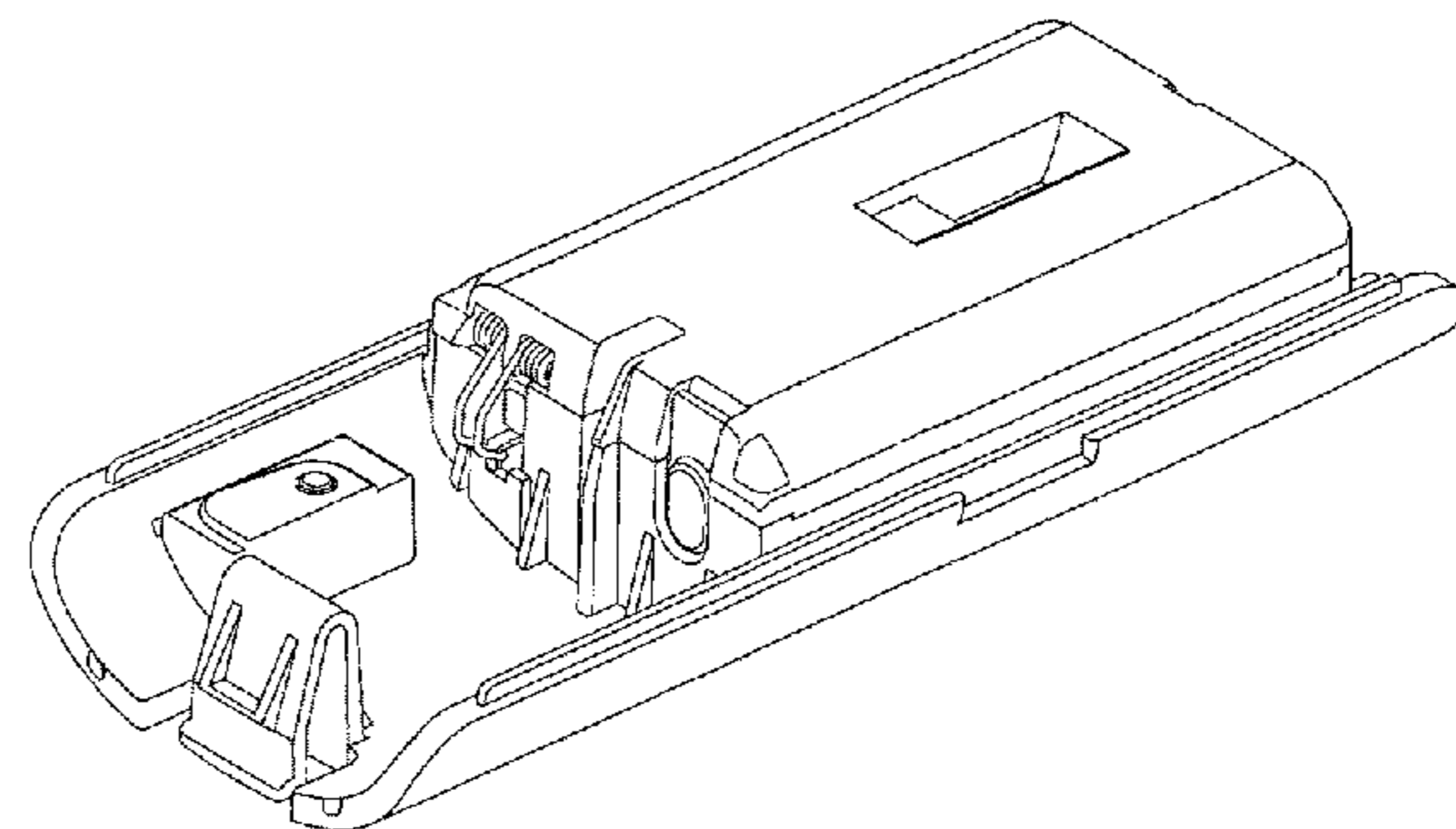
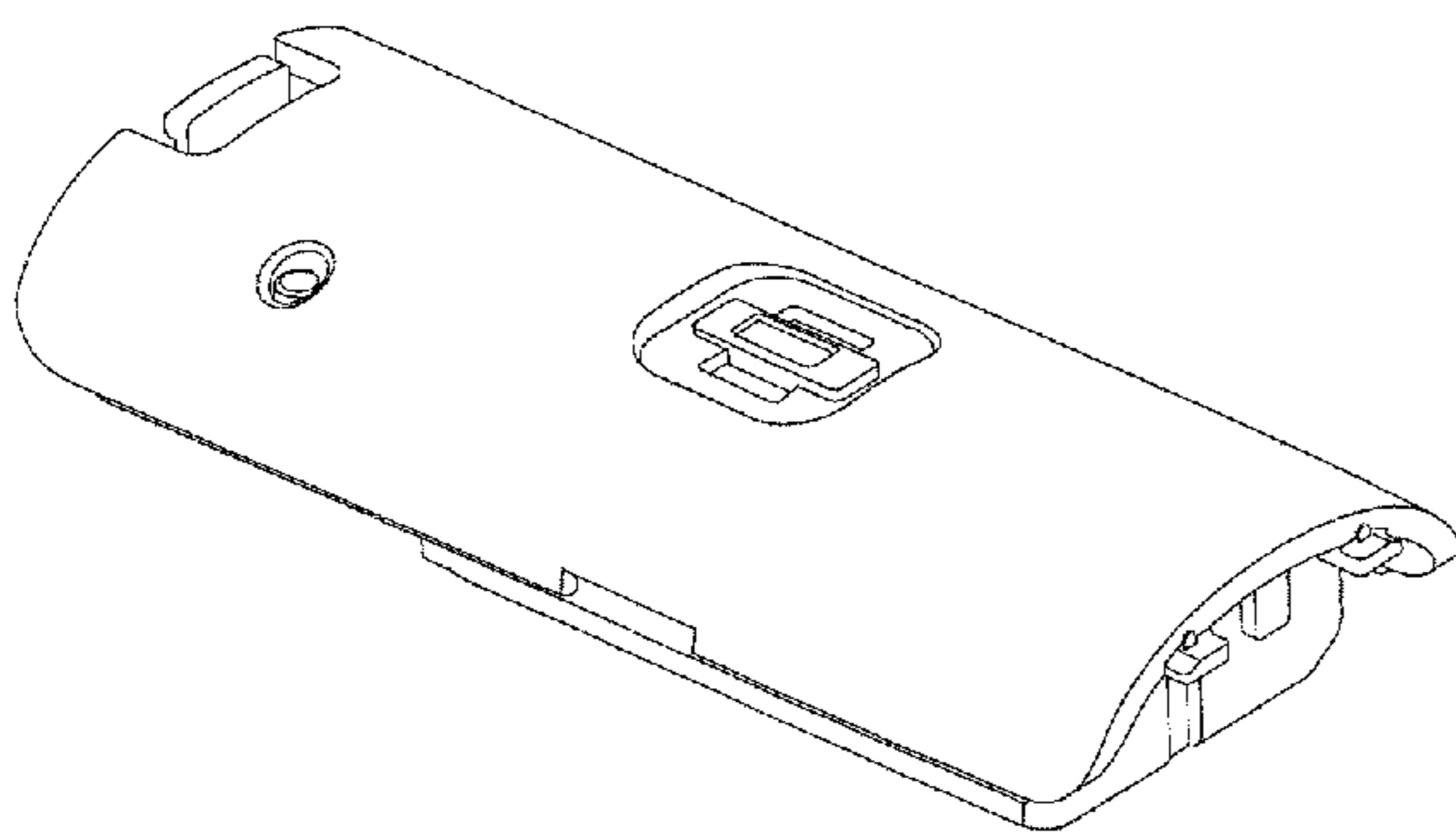


FIG. 1

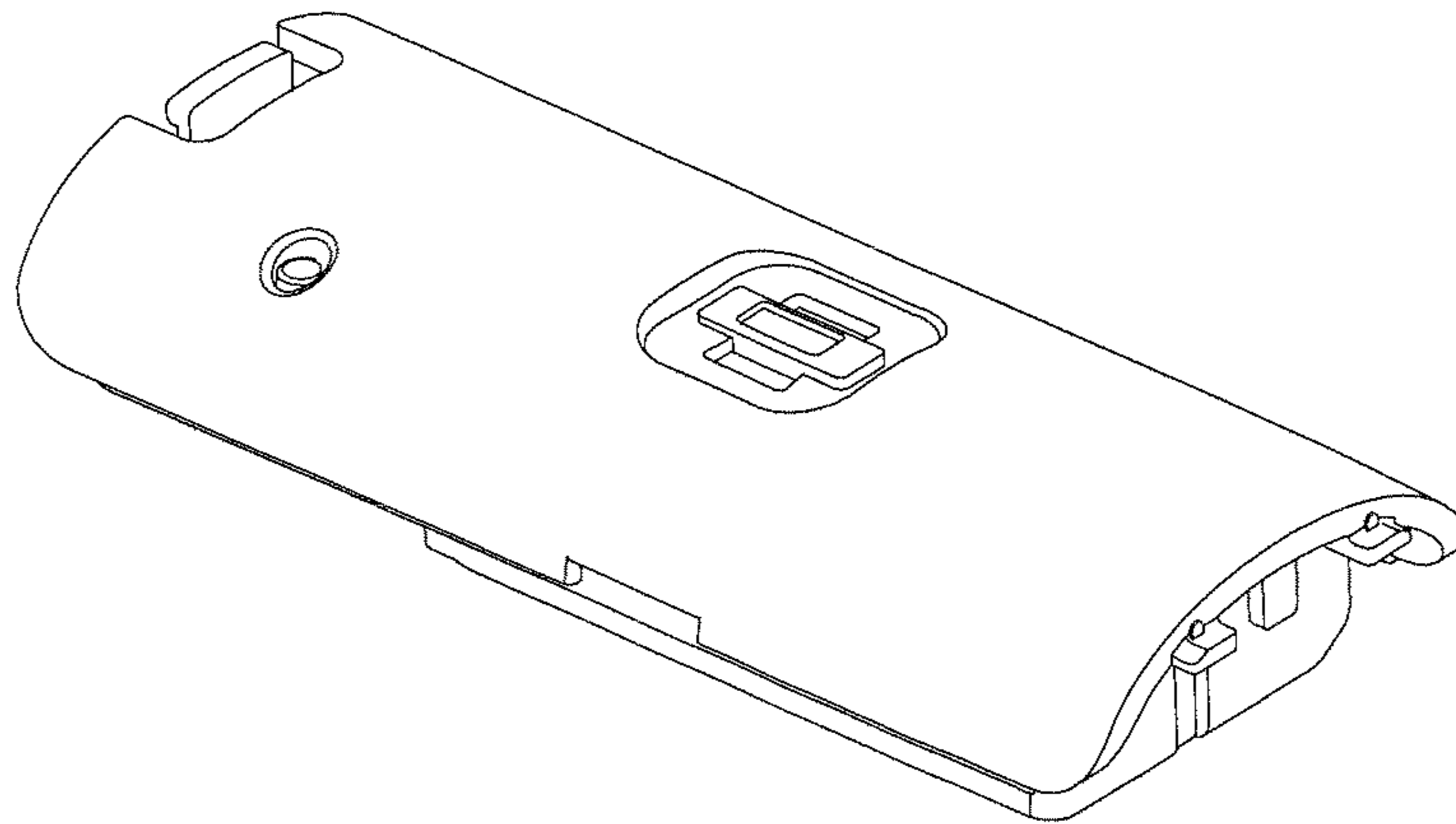


FIG. 2

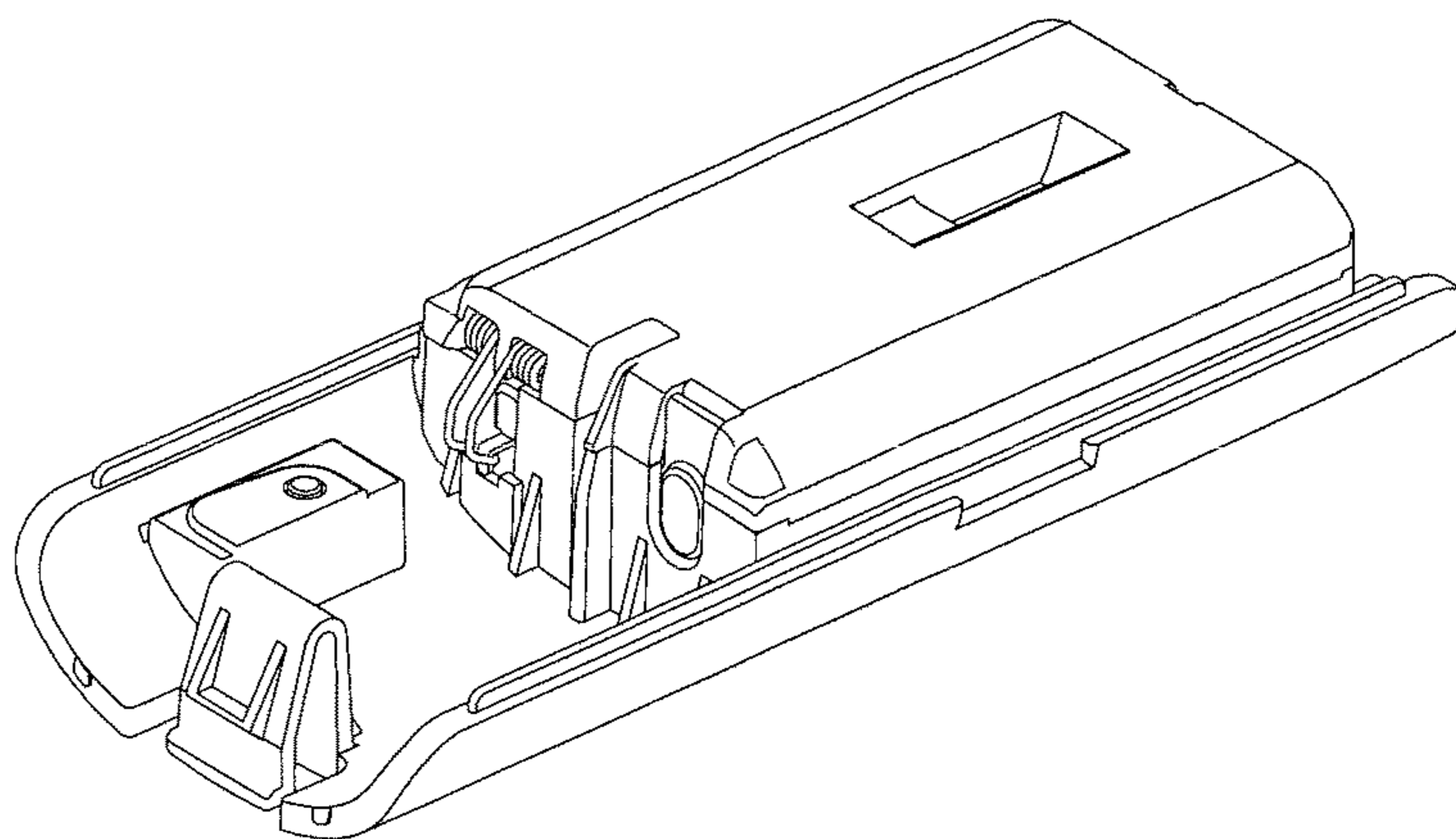


FIG. 3

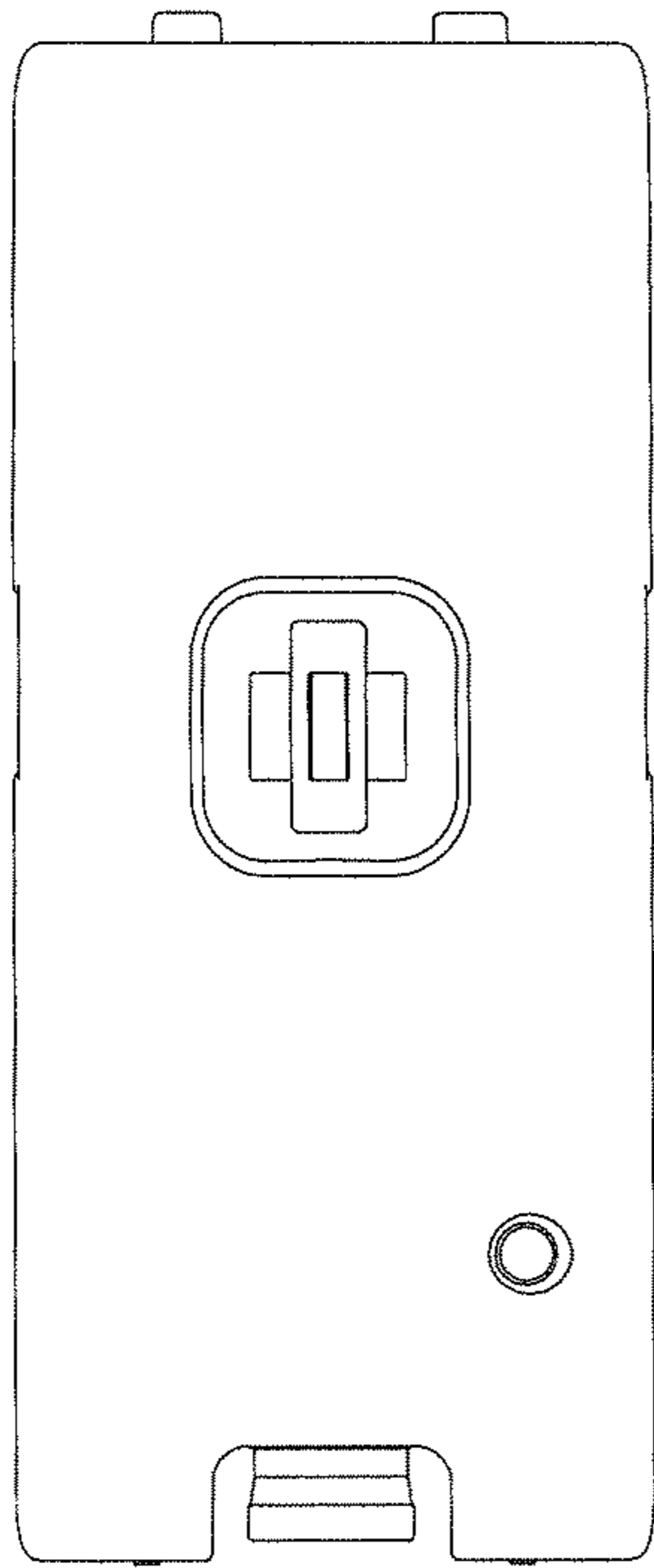


FIG. 4

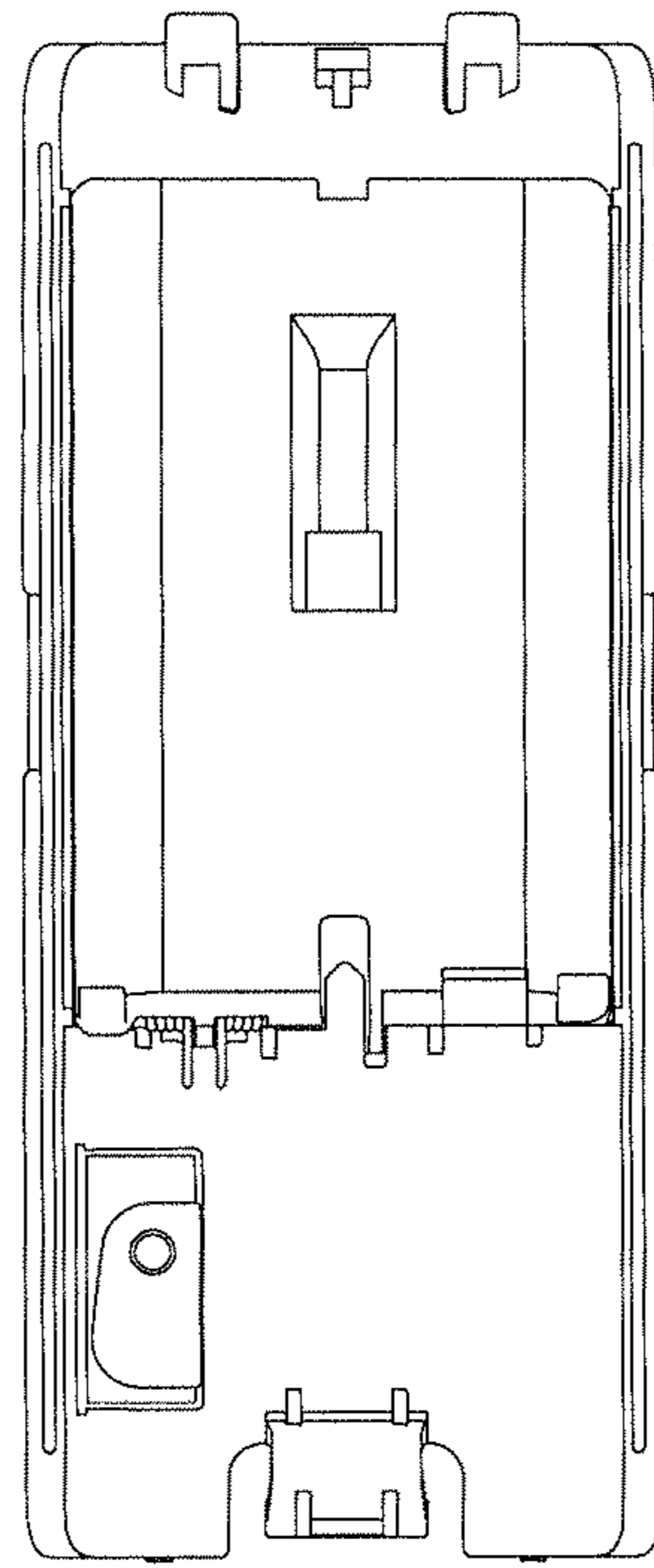


FIG. 5

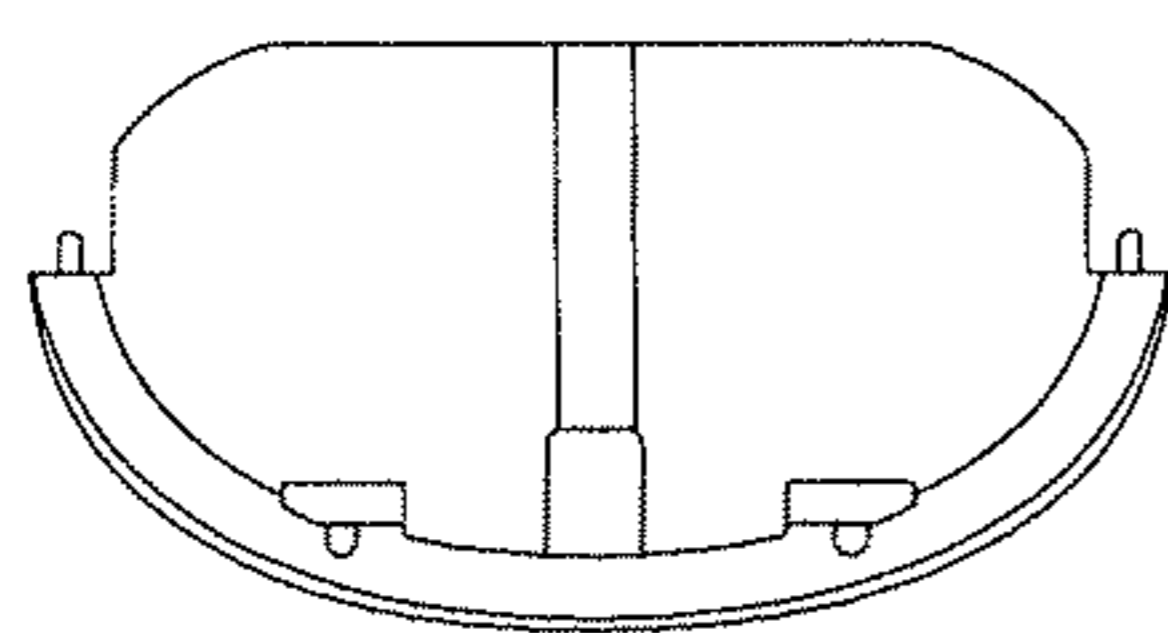


FIG. 6

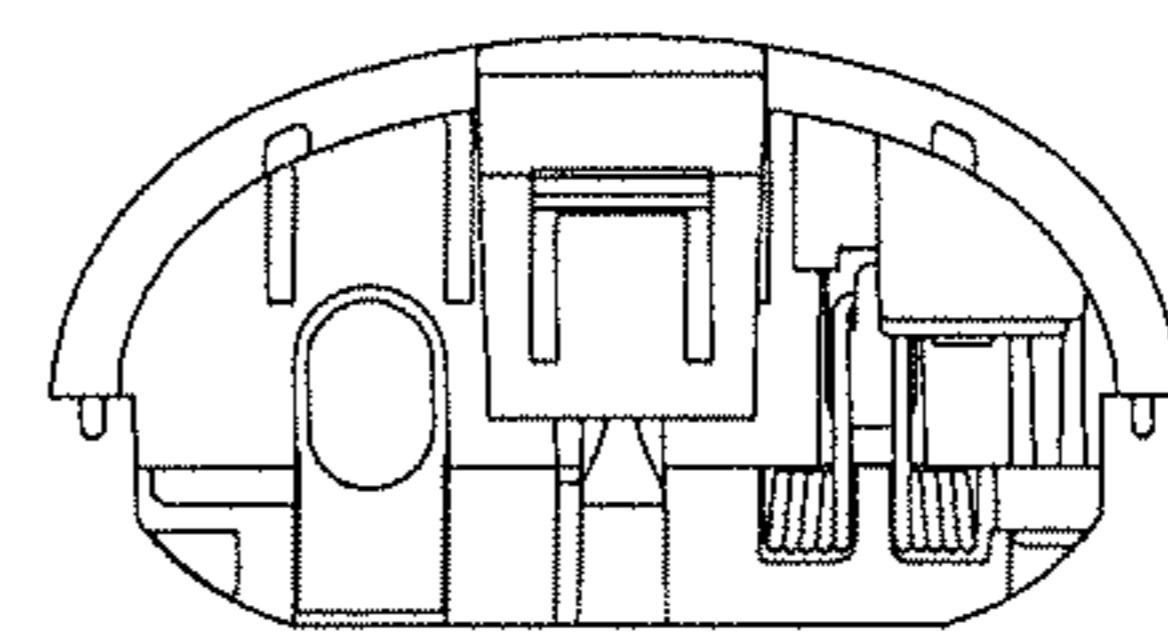


FIG. 7

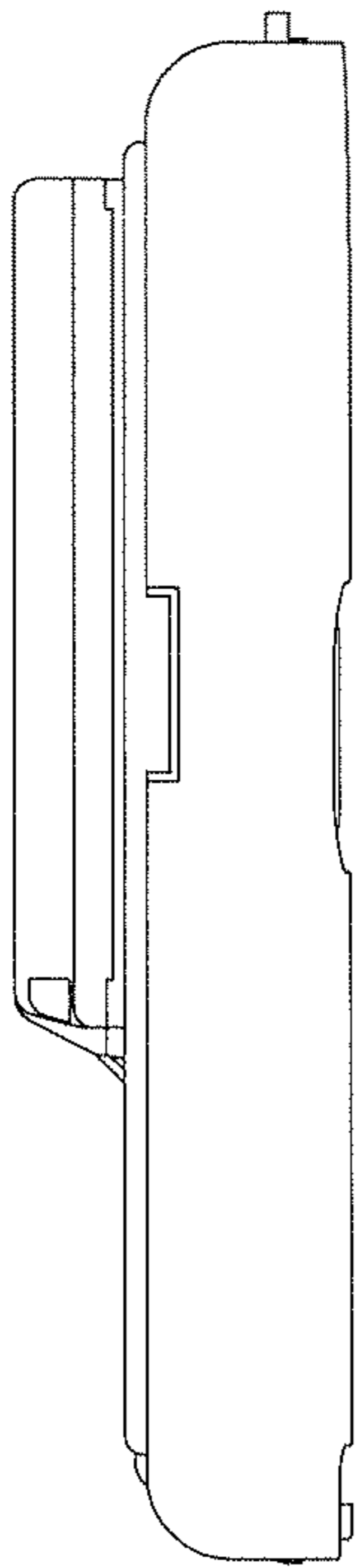


FIG. 8

