

US00D709438S

(12) **United States Design Patent**  
**Ko**

(10) **Patent No.:** **US D709,438 S**

(45) **Date of Patent:** **\*\* Jul. 22, 2014**

(54) **CENTRAL SOLAR PANEL STEPPING STONE**

(71) Applicant: **Gordon Ko**, Phillips Ranch, CA (US)

(72) Inventor: **Gordon Ko**, Phillips Ranch, CA (US)

(\*\*) Term: **14 Years**

(21) Appl. No.: **29/479,591**

(22) Filed: **Jan. 17, 2014**

(51) **LOC (10) Cl.** ..... **13-02**

(52) **U.S. Cl.**  
USPC ..... **D13/102**

(58) **Field of Classification Search**  
USPC ..... D13/102, 101, 133, 182, 199; D25/102,  
D25/106, 107, 108, 140, 157, 158, 163;  
362/145, 153, 183, 802; 126/561, 566,  
126/569, 571; 136/243-247, 251, 252, 254,  
136/256; 428/156, 213, 215, 220, 542.2,  
428/542.6, 919

See application file for complete search history.

(56) **References Cited**

**U.S. PATENT DOCUMENTS**

4,697,950	A	10/1987	Copeland	
4,744,014	A *	5/1988	Harris	362/145
4,907,361	A	3/1990	Villard	
4,992,914	A	2/1991	Heiss et al.	
5,074,706	A	12/1991	Paulos	
5,390,090	A	2/1995	Nau	
5,678,920	A	10/1997	Kerr	
5,782,552	A	7/1998	Green et al.	
5,839,816	A	11/1998	Varga et al.	

5,908,263	A	6/1999	Connors et al.	
5,951,144	A	9/1999	Gavigan et al.	
6,339,188	B1	1/2002	Voelkner	
6,532,489	B1	3/2003	Merchant	
7,318,655	B2	1/2008	Sooferian	
D585,365	S *	1/2009	Gort et al.	D13/102
D591,229	S *	4/2009	Sharma et al.	D13/102
D602,855	S *	10/2009	Lu et al.	D13/102
D657,306	S *	4/2012	Russell et al.	D13/102

**FOREIGN PATENT DOCUMENTS**

EP	1515087	A2	3/2005
FR	2393109	A1	12/1978

\* cited by examiner

*Primary Examiner* — Derrick Holland

(57) **CLAIM**

The ornamental design for a central solar panel stepping stone, as shown and described.

**DESCRIPTION**

FIG. 1 is top view of the central solar panel stepping stone of my design.

FIG. 2 is a bottom view thereof.

FIG. 3 is a front view thereof.

FIG. 4 is a rear view thereof.

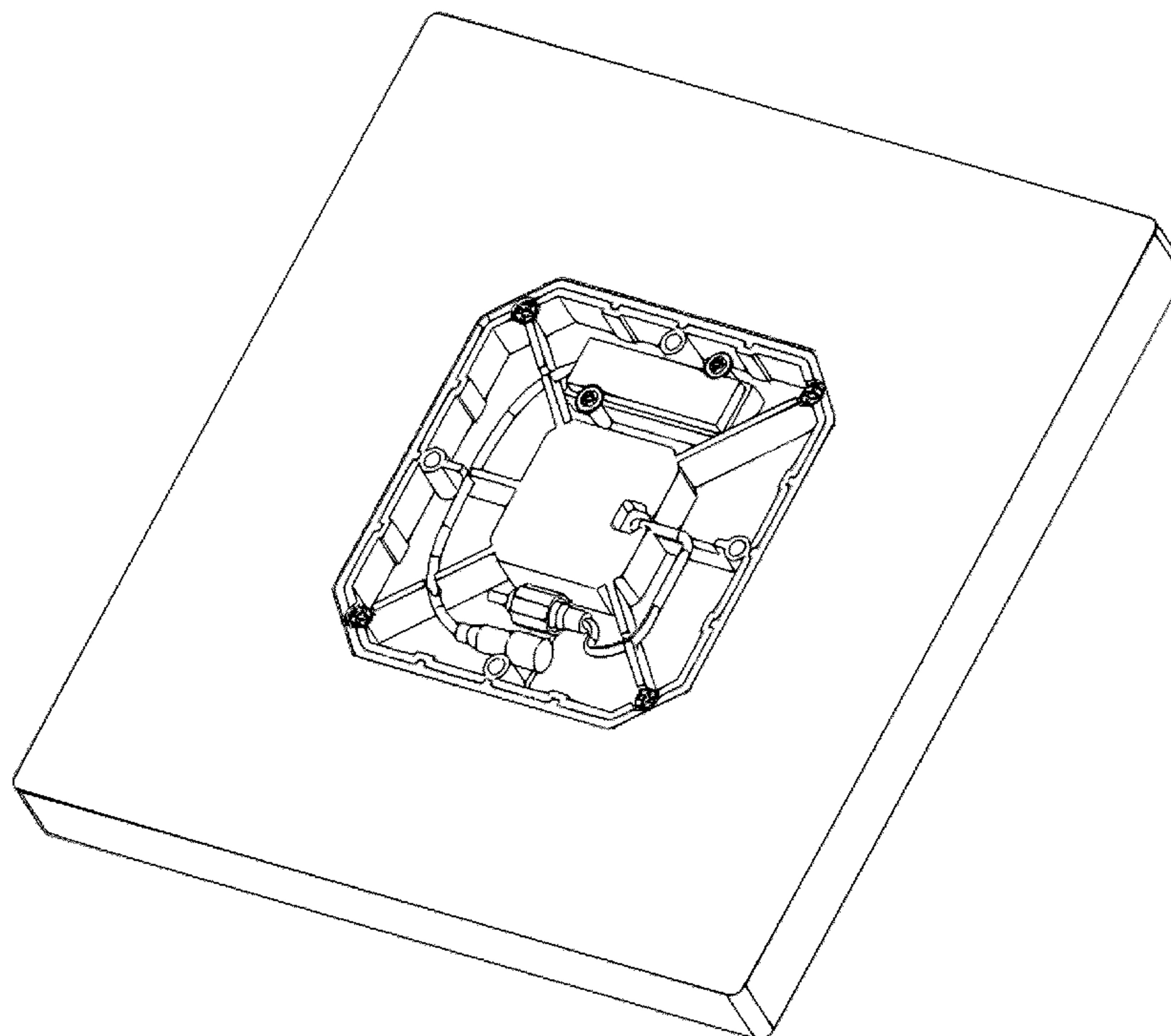
FIG. 5 is a right side view thereof.

FIG. 6 is a left side view thereof.

FIG. 7 is a bottom perspective view thereof; and,

FIG. 8 is an exploded view thereof.

**1 Claim, 5 Drawing Sheets**



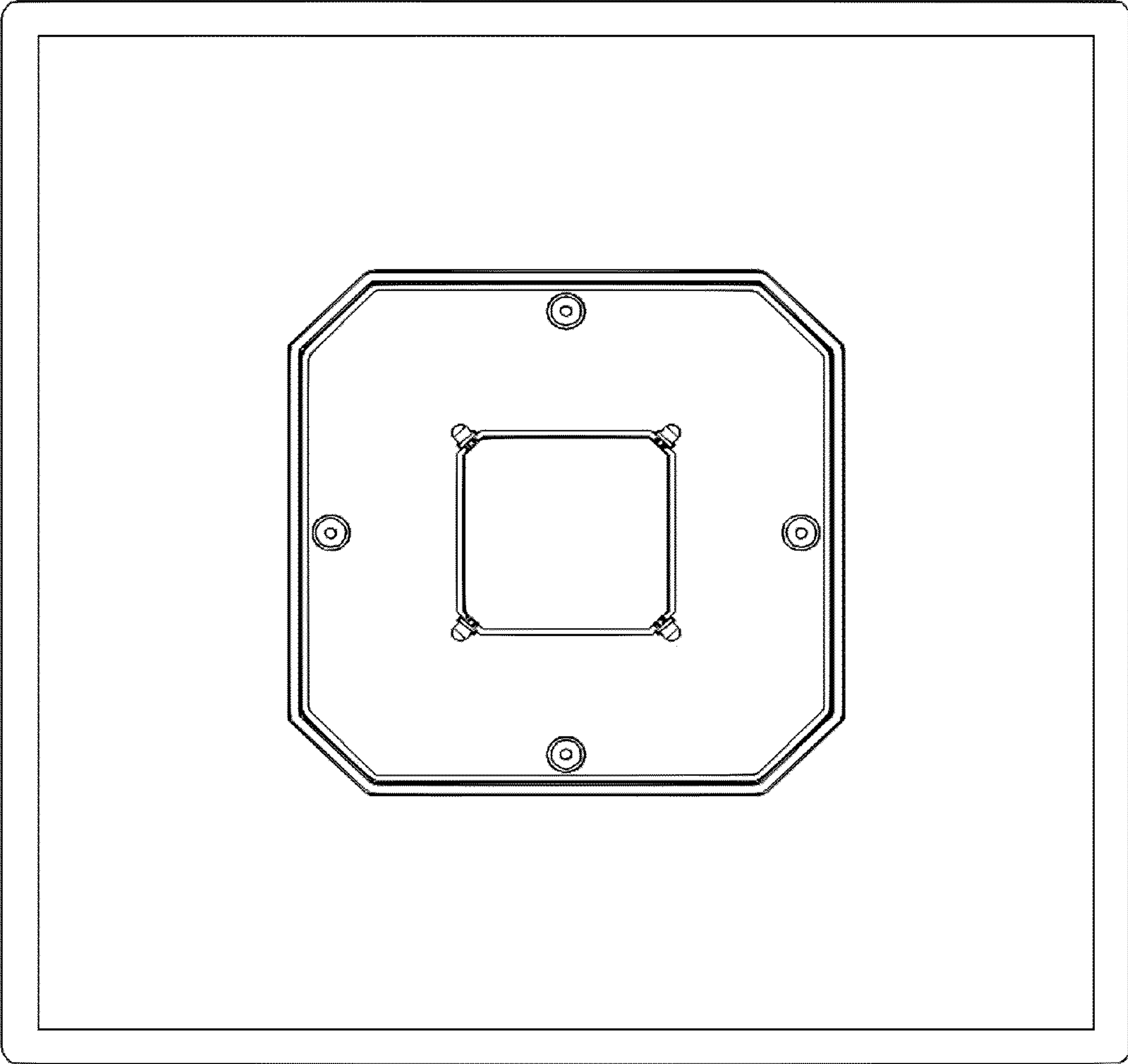


FIG. 1

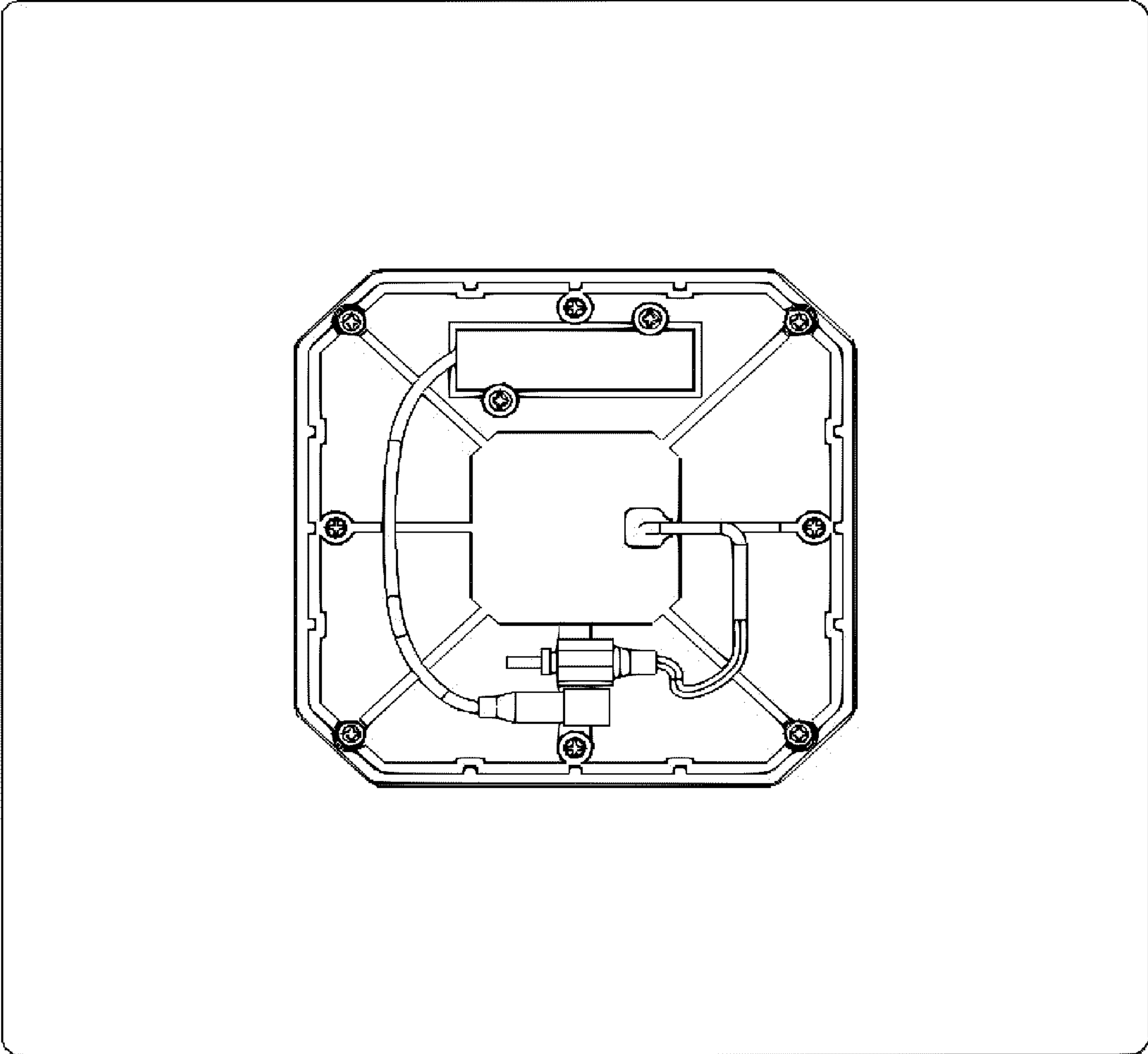


FIG. 2

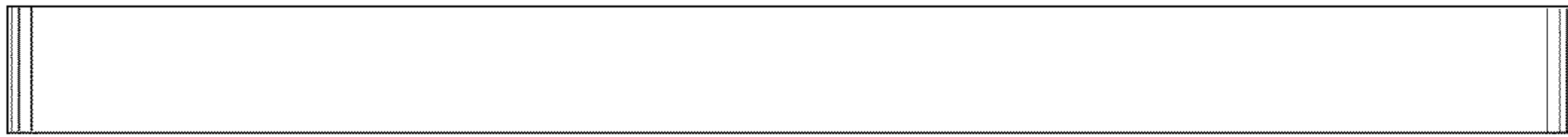


FIG. 3

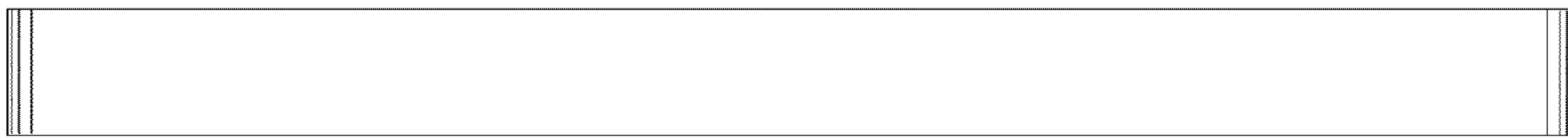


FIG. 4

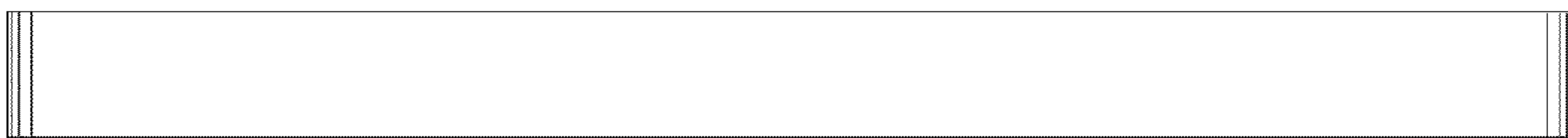


FIG. 5

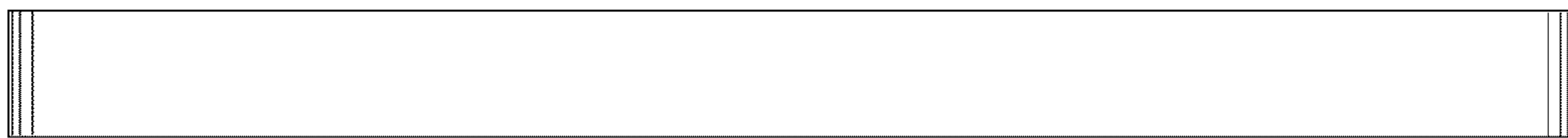


FIG. 6

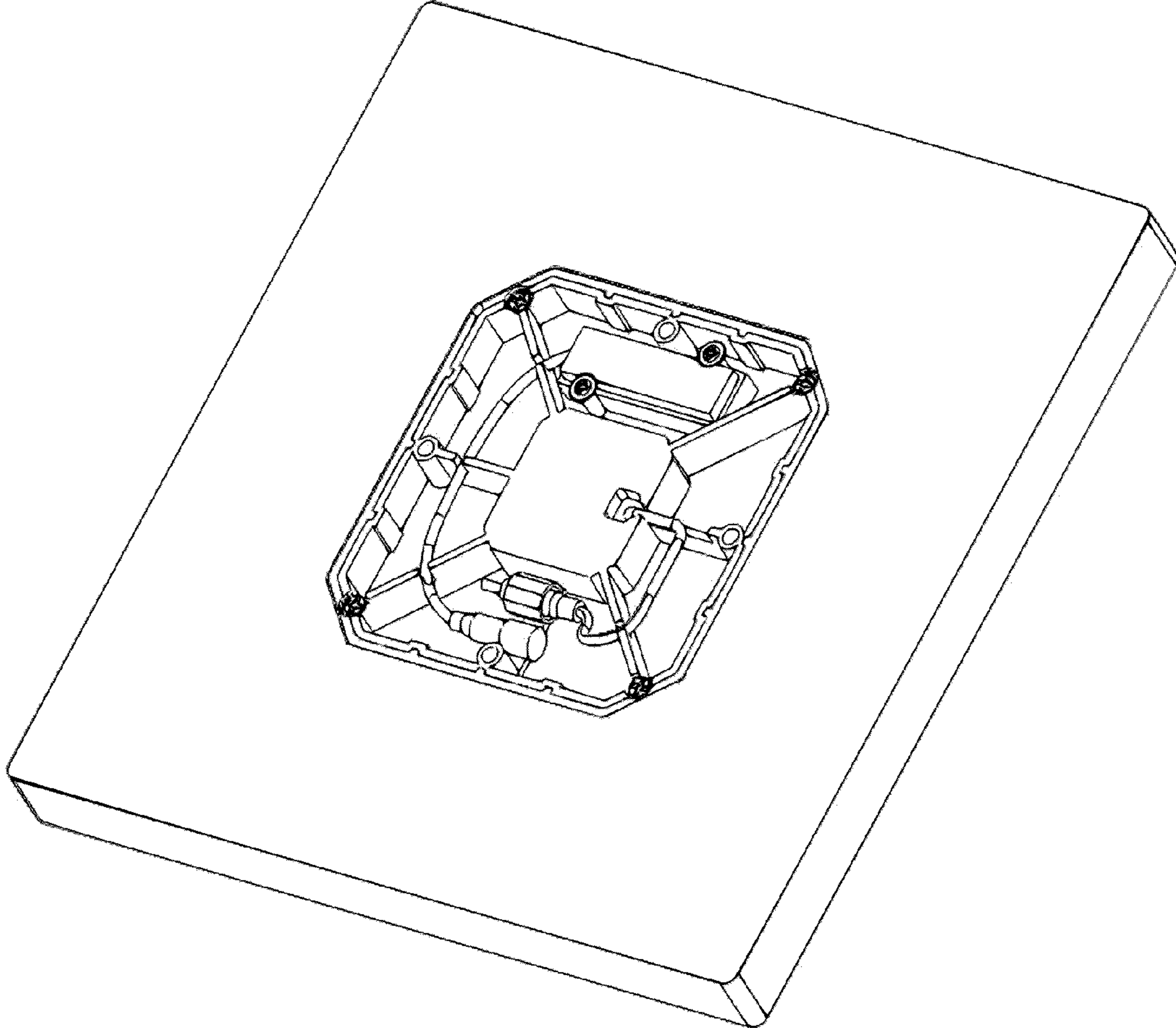


FIG. 7

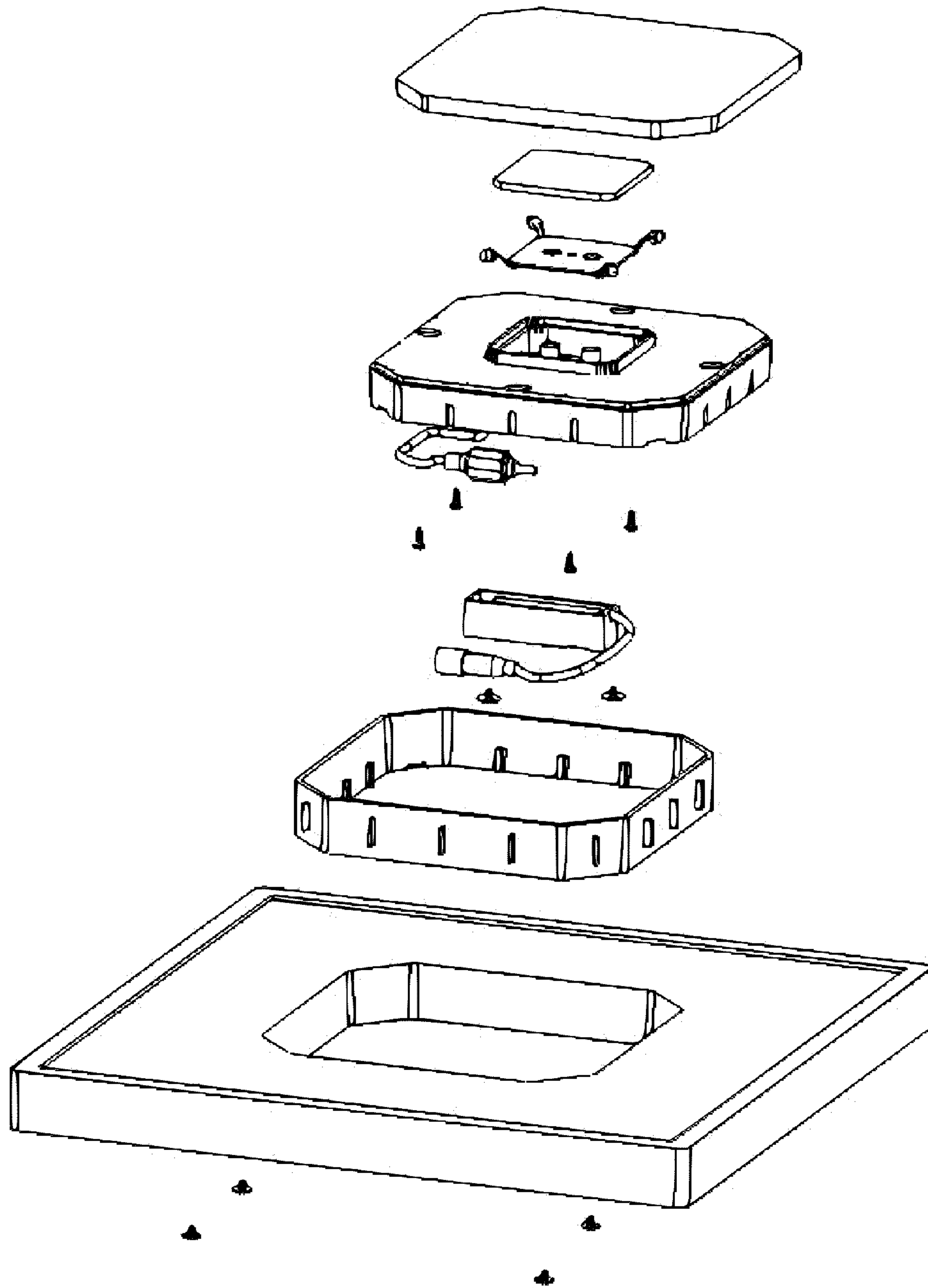


FIG. 8