



US00D709434S

(12) **United States Design Patent**
Kato

(10) **Patent No.:** **US D709,434 S**
(45) **Date of Patent:** **** Jul. 22, 2014**

(54) **TREAD PORTION OF AN AUTOMOBILE TIRE**

(71) Applicant: **Bridgestone Corporation**, Tokyo (JP)

(72) Inventor: **Keiichi Kato**, Chuo-ku (JP)

(73) Assignee: **Bridgestone Corporation**, Tokyo (JP)

(**) Term: **14 Years**

(21) Appl. No.: **29/472,612**

(22) Filed: **Nov. 14, 2013**

(30) **Foreign Application Priority Data**

May 15, 2013 (JP) 2013-010668

(51) **LOC (10) Cl.** **12-15**

(52) **U.S. Cl.**
USPC **D12/521**

(58) **Field of Classification Search**
USPC D12/505-532, 900-901;
152/209.1-209.9, 209.11-209.19,
152/209.21-209.28, 455
See application file for complete search history.

(56) **References Cited**

U.S. PATENT DOCUMENTS

D432,956 S * 10/2000 Ricquet D12/521
D599,728 S * 9/2009 Froger et al. D12/521
D606,926 S * 12/2009 Heinen et al. D12/521
D638,348 S * 5/2011 Harvey et al. D12/521

D639,720 S * 6/2011 Harvey et al. D12/521
D664,913 S * 8/2012 Le et al. D12/521
D666,551 S * 9/2012 Schmidt-Zum Berge
et al. D12/521
D673,894 S * 1/2013 Hughes et al. D12/521
D677,215 S * 3/2013 Nakamura D12/523
D694,702 S * 12/2013 Leconte et al. D12/521

* cited by examiner

Primary Examiner — Stacia Cadmus

(74) *Attorney, Agent, or Firm* — Sughrue Mion, PLLC

(57) **CLAIM**

The ornamental design for a tread portion of an automobile tire, as shown and described.

DESCRIPTION

FIG. 1 is a perspective view of a tread portion of an automobile tire according to my new design;
FIG. 2 is a front view thereof;
FIG. 3 is a top view thereof;
FIG. 4 is a right side view thereof;
FIG. 5 is a left side view thereof;
FIG. 6 is a rear view thereof;
FIG. 7 is a fragmentary enlarged front view showing the details of the tread portion thereof;
FIG. 8 is a section view taken along line 8-8 in FIG. 7;
FIG. 9 is a section view taken along line 9-9 in FIG. 7; and,
FIG. 10 is a section view taken along line 10-10 in FIG. 7.
The broken line showing of the sidewall and inner bead is included for the purpose of illustrating environment and forms no part of the claimed design.

1 Claim, 10 Drawing Sheets

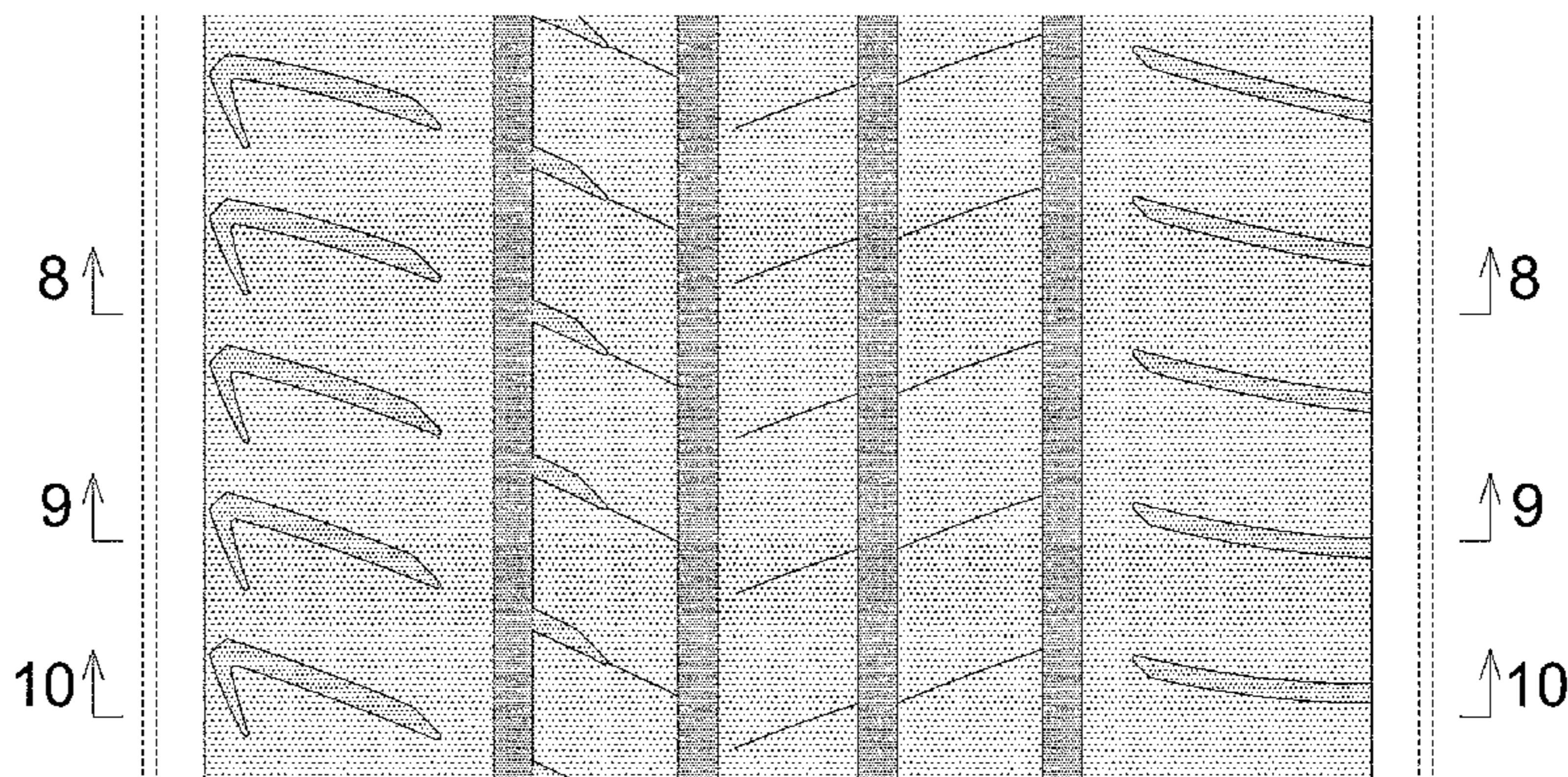
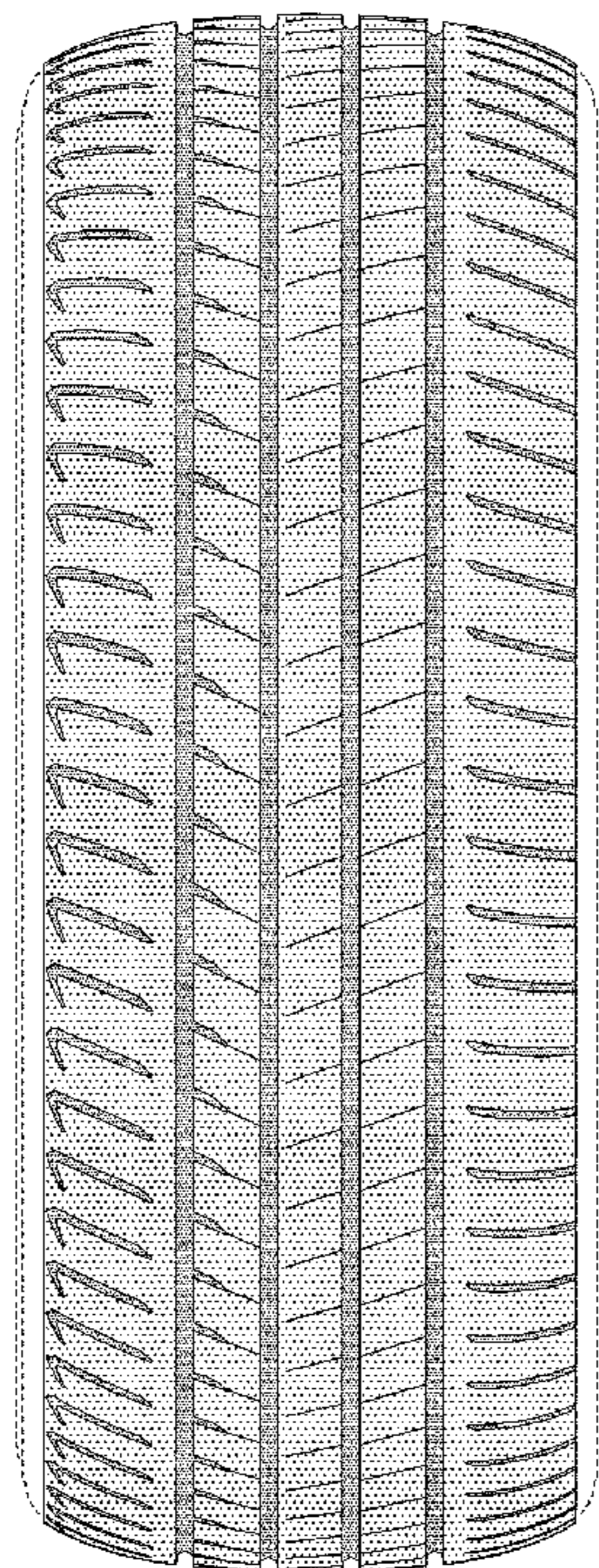


FIG. 1

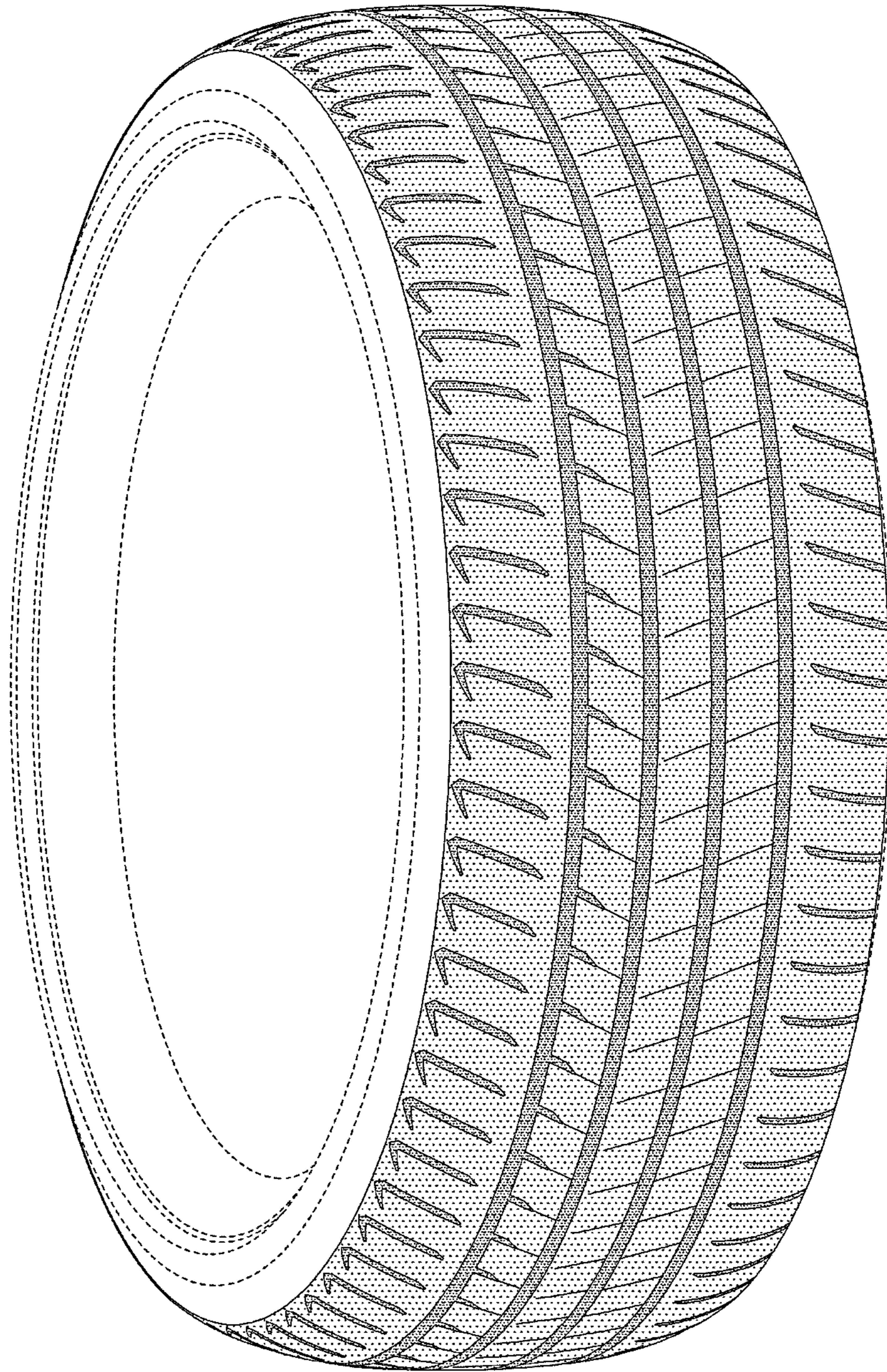


FIG. 2

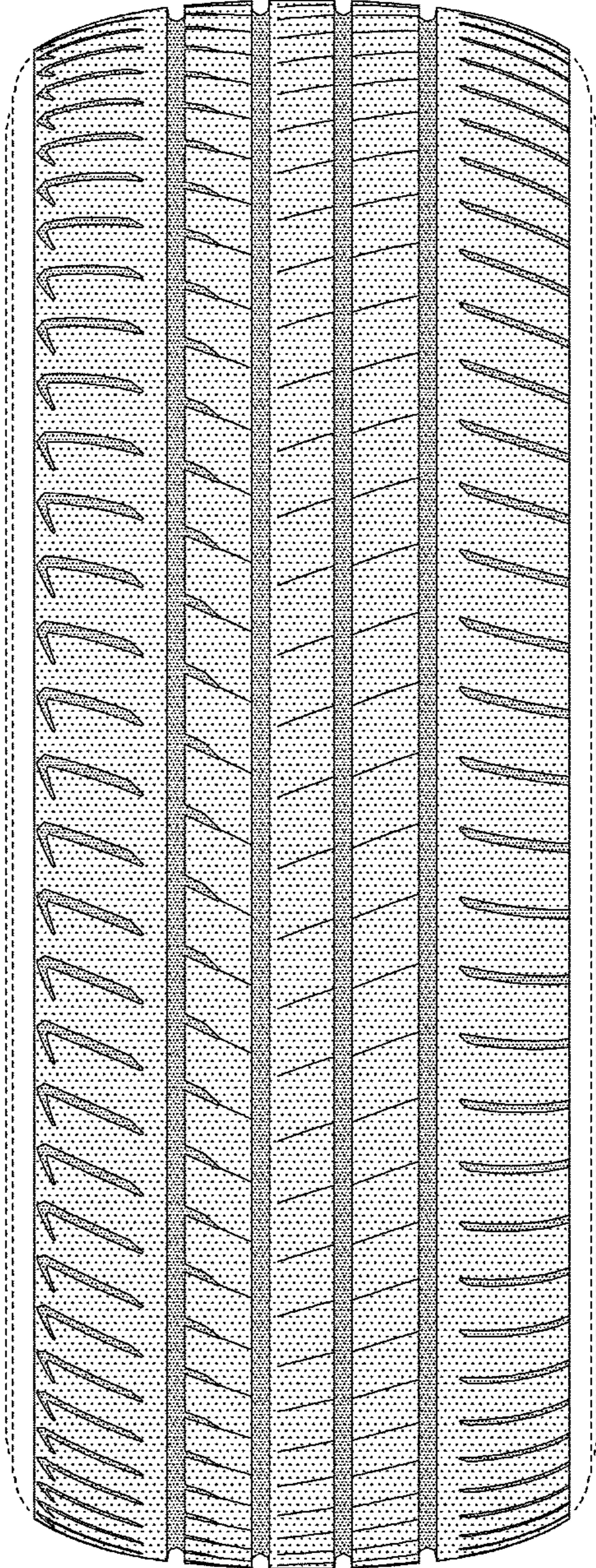


FIG. 3

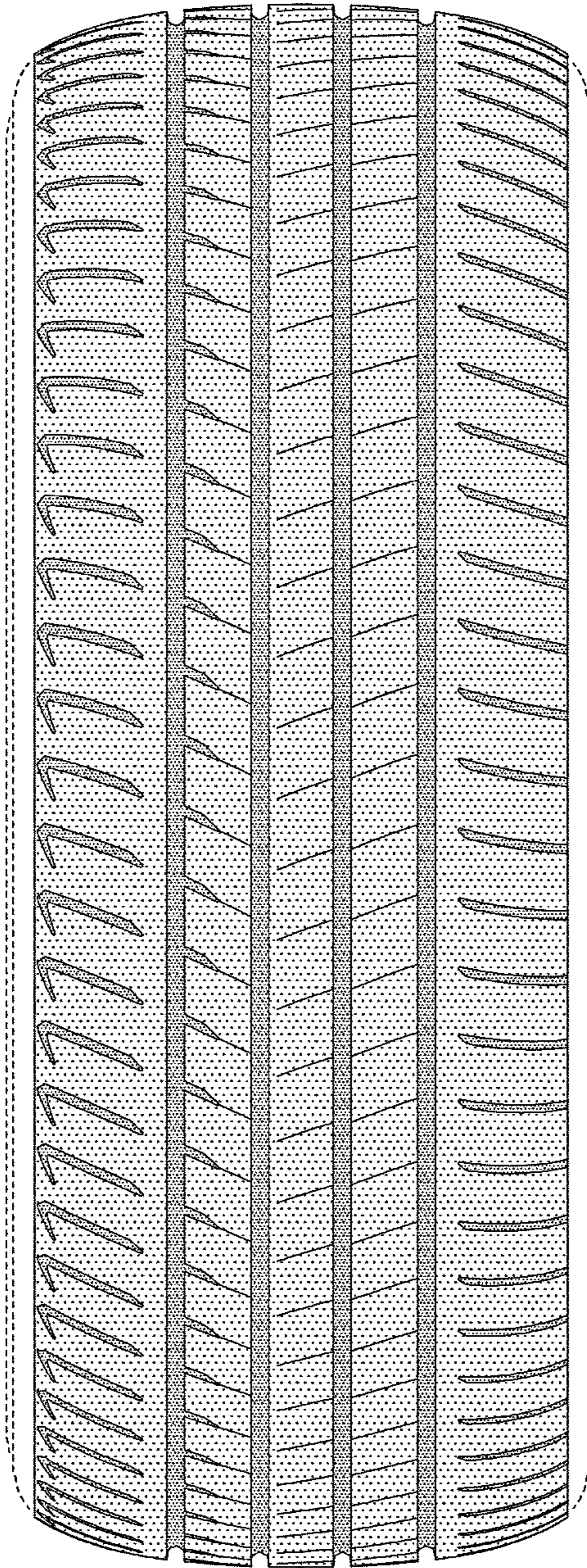


FIG. 4

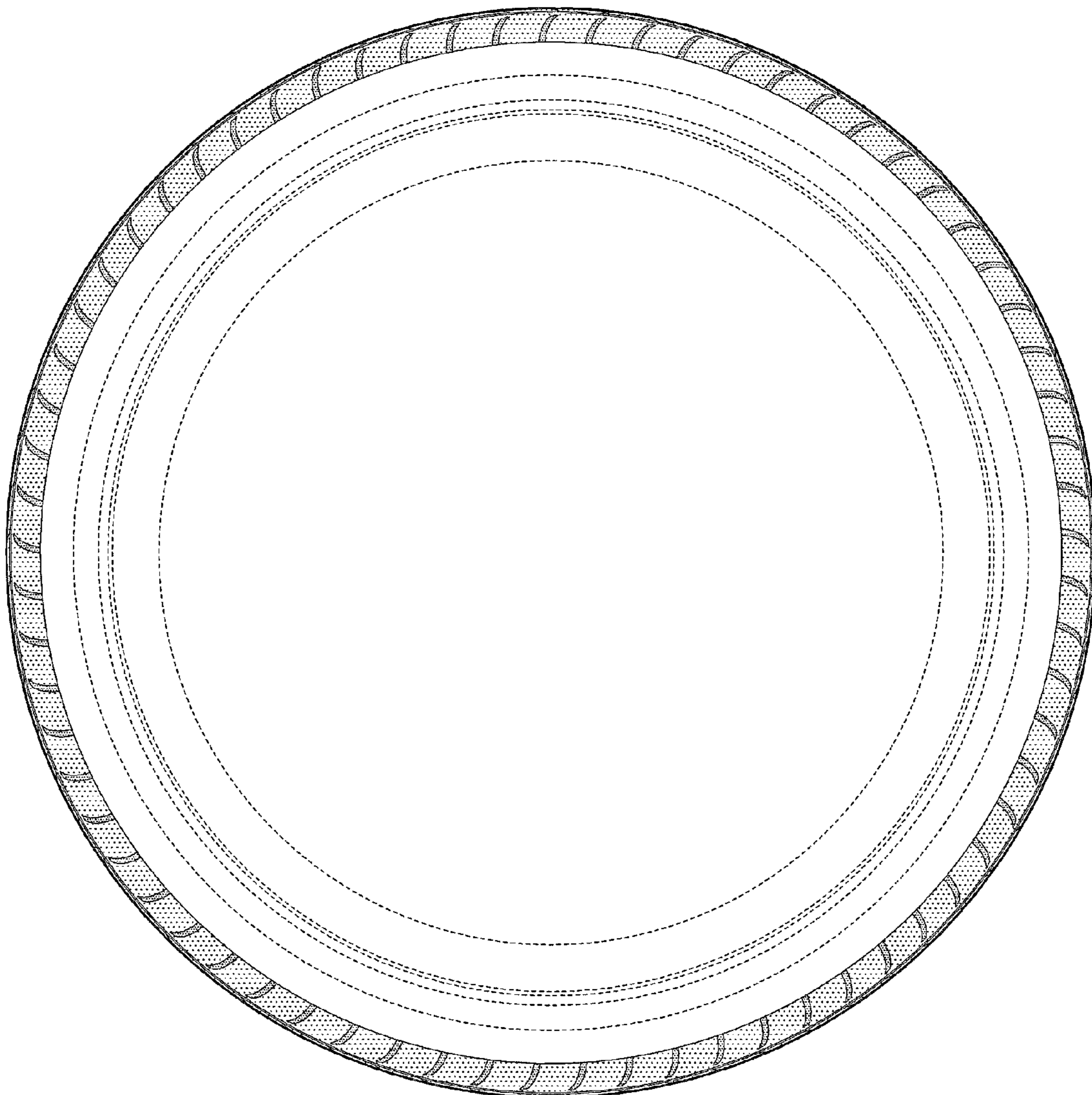


FIG. 5

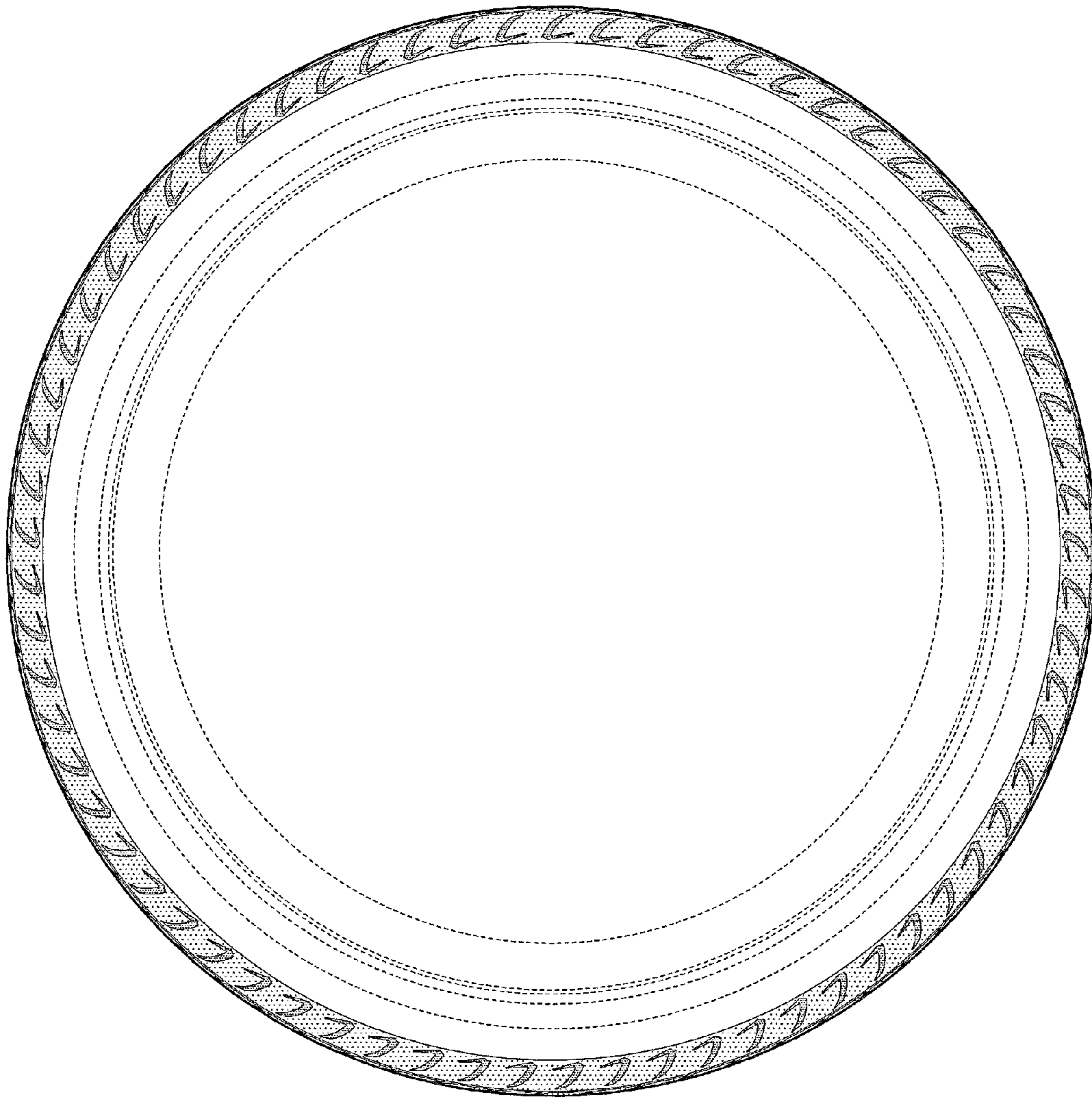


FIG. 6

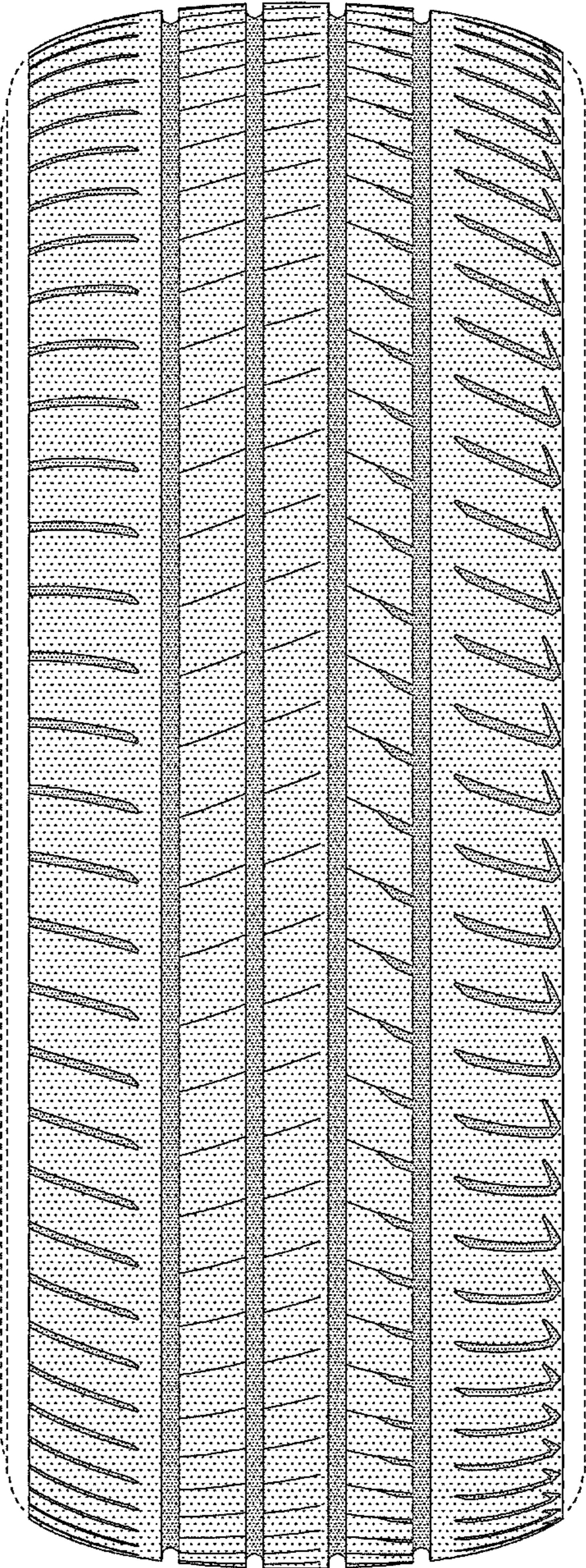


FIG. 7

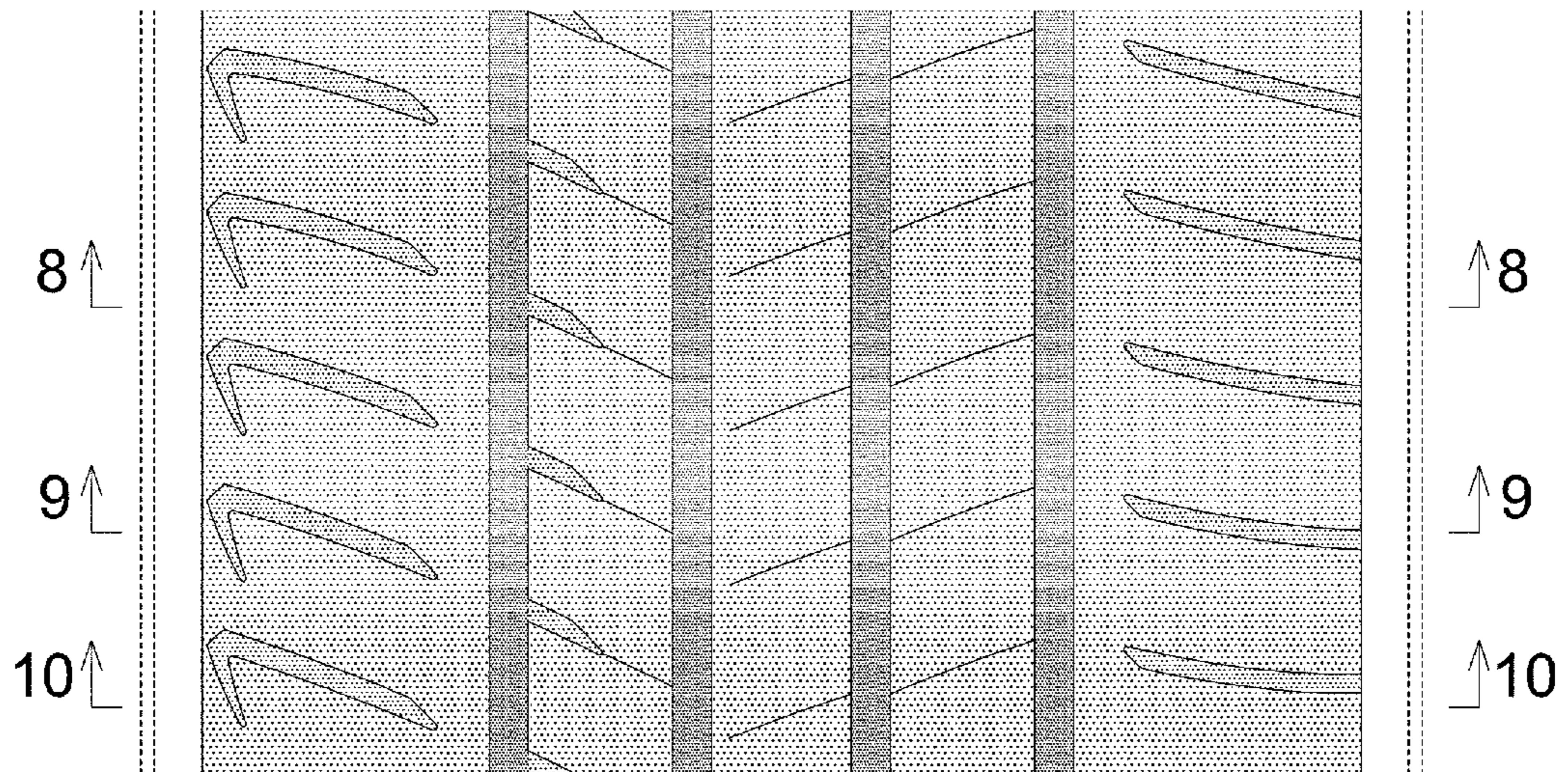


FIG. 8

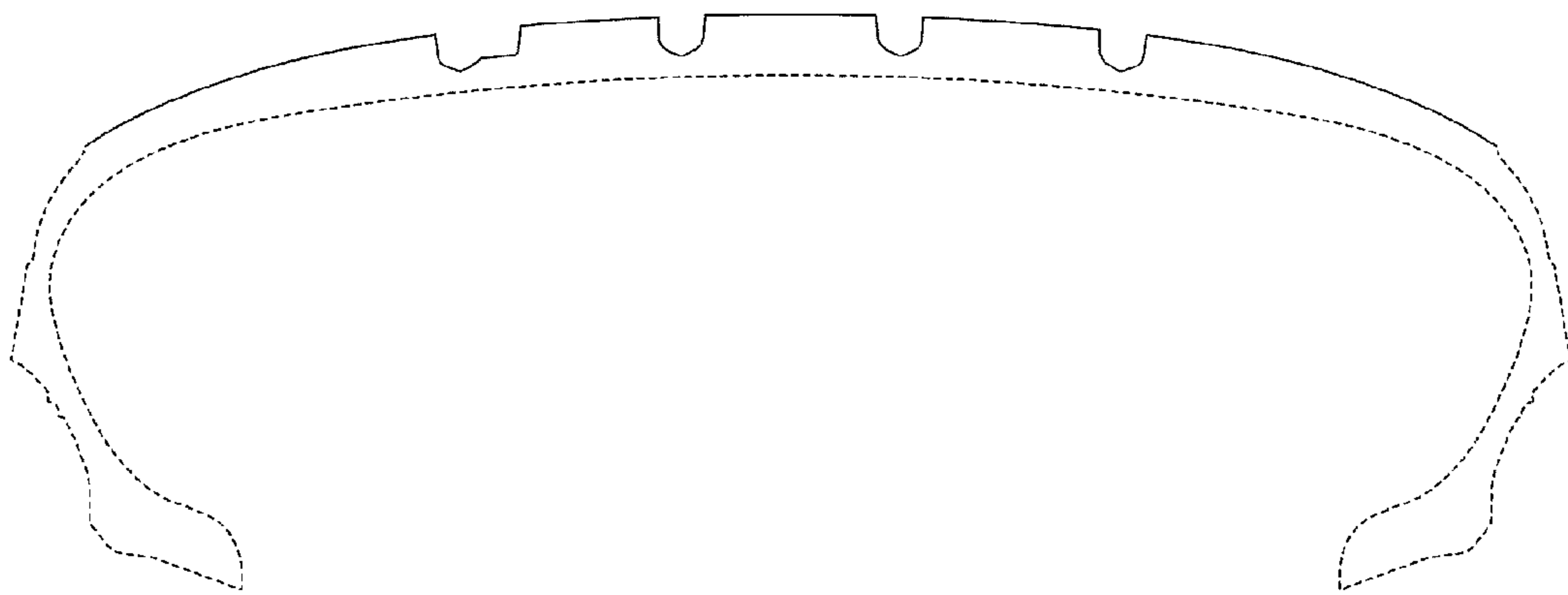


FIG. 9

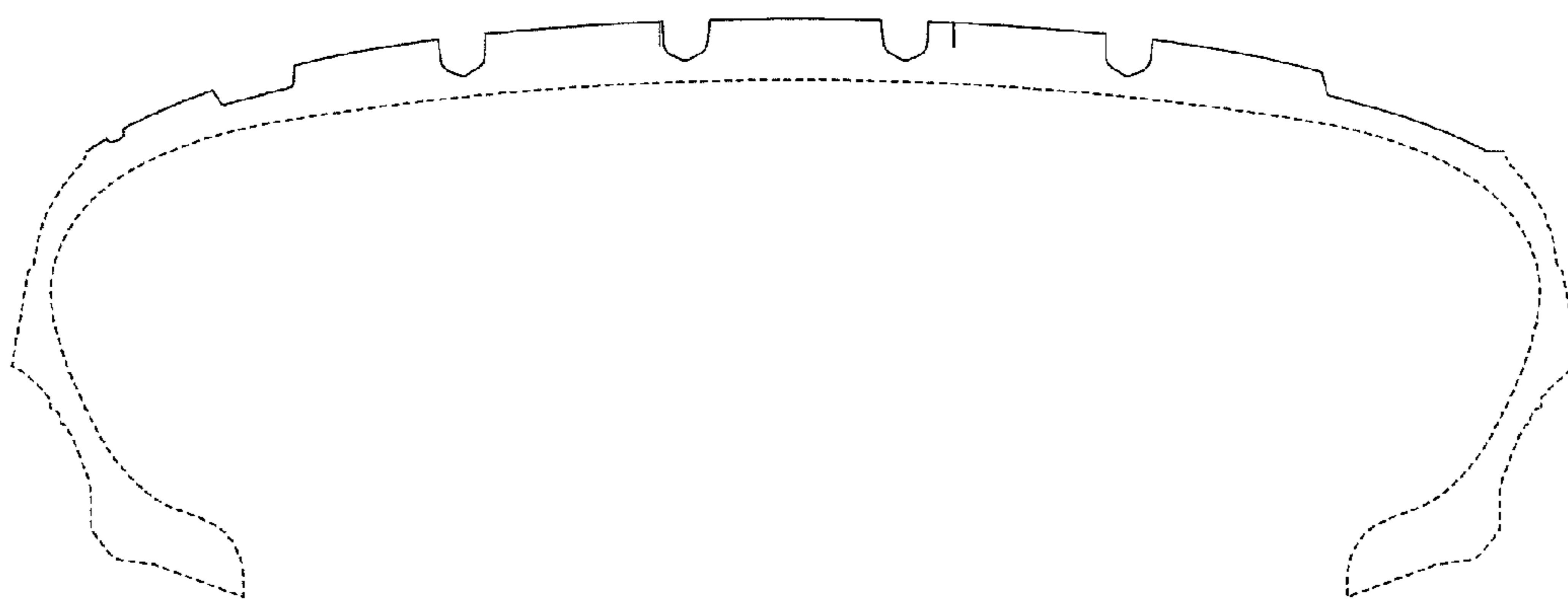


FIG. 10

