

US00D709432S

(12) **United States Design Patent**  
**Fair**

(10) **Patent No.:** **US D709,432 S**

(45) **Date of Patent:** **\*\* Jul. 22, 2014**

- (54) **GRIPPING FEATURE**
- (71) Applicant: **Paul Fair**, Denver, CO (US)
- (72) Inventor: **Paul Fair**, Denver, CO (US)
- (73) Assignee: **Thule Organization Solutions, Inc.**,  
Longmont, CO (US)

7,681,768	B2	3/2010	Gates et al.	
D617,532	S *	6/2010	Zeller et al.	D2/642
D626,494	S	11/2010	Gates et al.	
D627,033	S *	11/2010	Hicks	D22/199
D637,949	S	5/2011	Farber	
D651,153	S	12/2011	Branaman et al.	
D698,888	S *	2/2014	Hicks	D22/199
8,657,127	B2 *	2/2014	Diaz et al.	211/64
2004/0113041	A1	6/2004	Hancock et al.	

- (\*\*) Term: **14 Years**
- (21) Appl. No.: **29/446,529**
- (22) Filed: **Feb. 25, 2013**

**Related U.S. Application Data**

- (62) Division of application No. 29/404,925, filed on Oct. 26, 2011.
- (51) **LOC (10) Cl.** ..... **12-16**
- (52) **U.S. Cl.**  
USPC ..... **D12/412**
- (58) **Field of Classification Search**  
USPC ..... D12/412, 406, 414, 414.1; 293/37.1, 3,  
293/100; 224/309-310, 315-316, 323-329,  
224/400; D6/552; D3/304-306;  
280/760-762, 848, 727, 769  
See application file for complete search history.

(56) **References Cited**

**U.S. PATENT DOCUMENTS**

D426,246	S *	6/2000	Hennessy et al.	D16/135
D476,290	S *	6/2003	Gates et al.	D12/408
6,695,183	B2 *	2/2004	Hancock et al.	224/401
6,902,089	B2	6/2005	Carnevali	
D516,402	S	3/2006	Gates et al.	
D519,183	S *	4/2006	Minneman	D22/108
D547,643	S *	7/2007	Ratajczek et al.	D8/395
7,337,934	B2	3/2008	Alling et al.	
D605,578	S	12/2009	Retief	

**OTHER PUBLICATIONS**

U.S. Appl. No. 29/404,925, filed Oct. 26, 2011, Fair.  
Notification of the Decision to Grant Patent for Chinese Patent Application No. 201230133715.6 dated Oct. 30, 2012 4 pages.  
Notification of the Decision to Grant Patent for Chinese Patent Application No. 201230133764.X dated Nov. 16, 2012 4 pages.  
Official Action for U.S. Appl. No. 29/404,925 mailed Jan. 4, 2013 5 pages.

\* cited by examiner

*Primary Examiner* — Katrina A Betton  
(74) *Attorney, Agent, or Firm* — Sheridan Ross P.C.

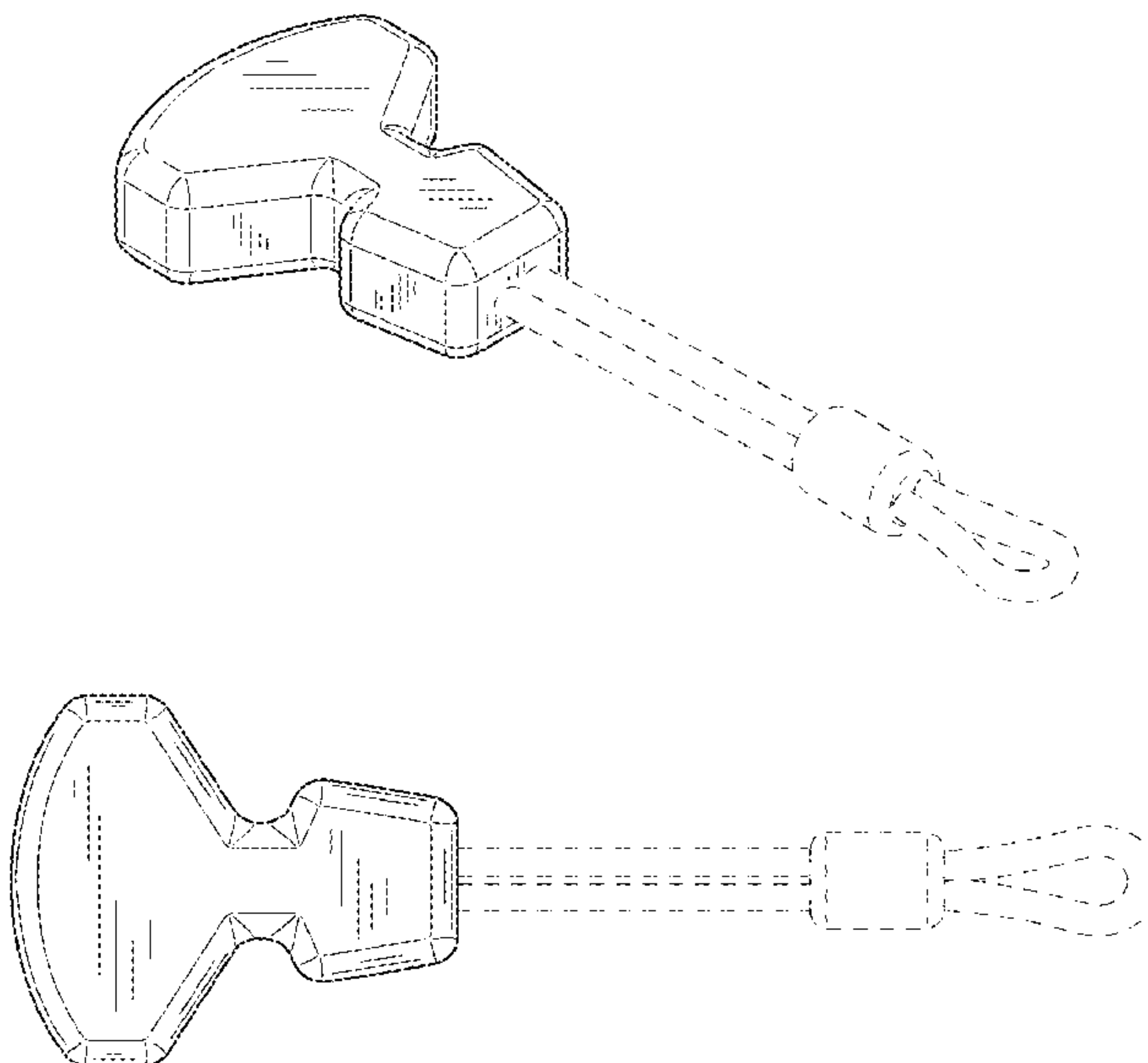
(57) **CLAIM**

The ornamental design for a gripping feature, as shown and described.

**DESCRIPTION**

FIG. 1 is a front perspective view of the gripping feature; FIG. 2 is a top plan view thereof; FIG. 3 is a front elevation view thereof; FIG. 4 is a right elevation view thereof; FIG. 5 is a bottom plan view thereof; and, FIG. 6 is a rear elevation view thereof.  
The broken lines showing a gripping feature are included for the purpose of illustrating environment and form no part of the claimed design.

**1 Claim, 3 Drawing Sheets**



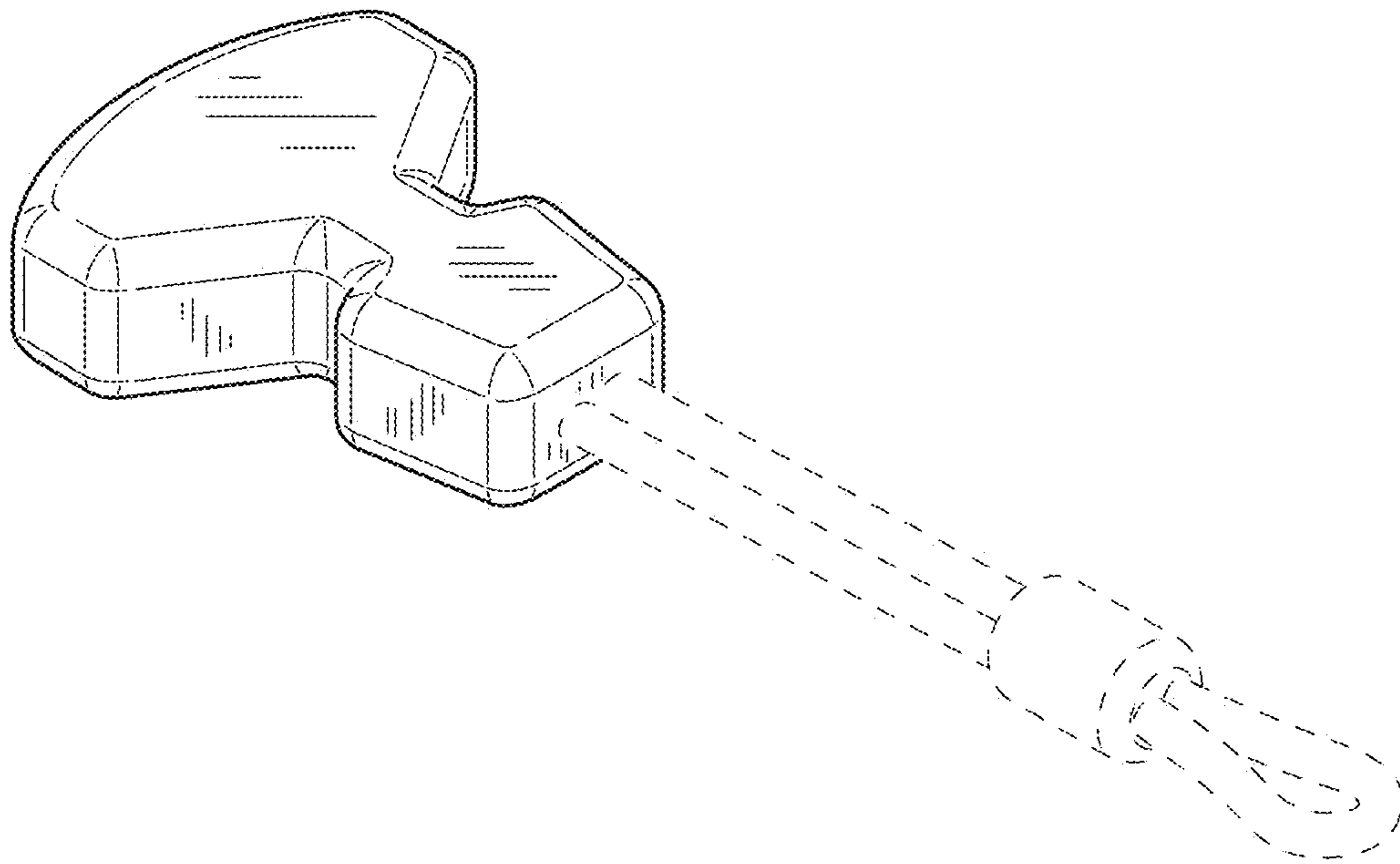


FIG. 1

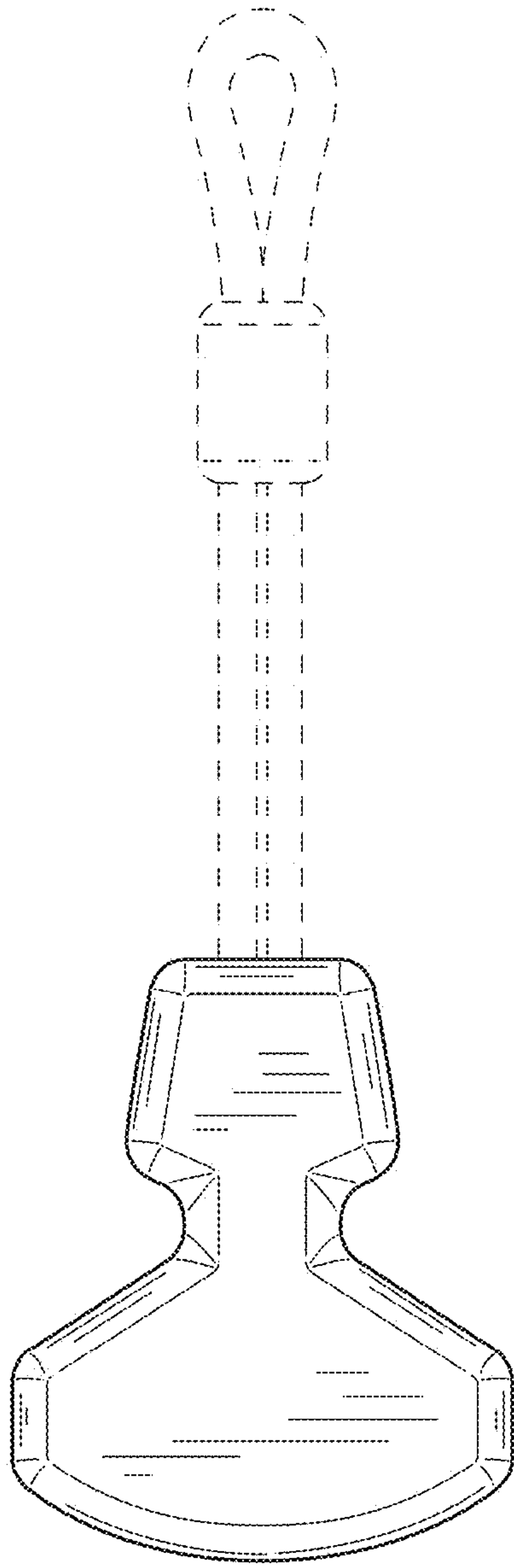


FIG. 2

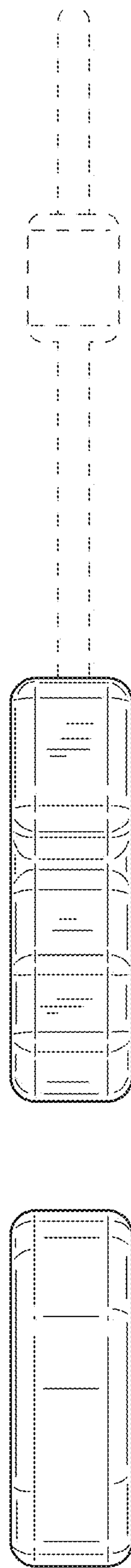


FIG. 3

FIG. 4

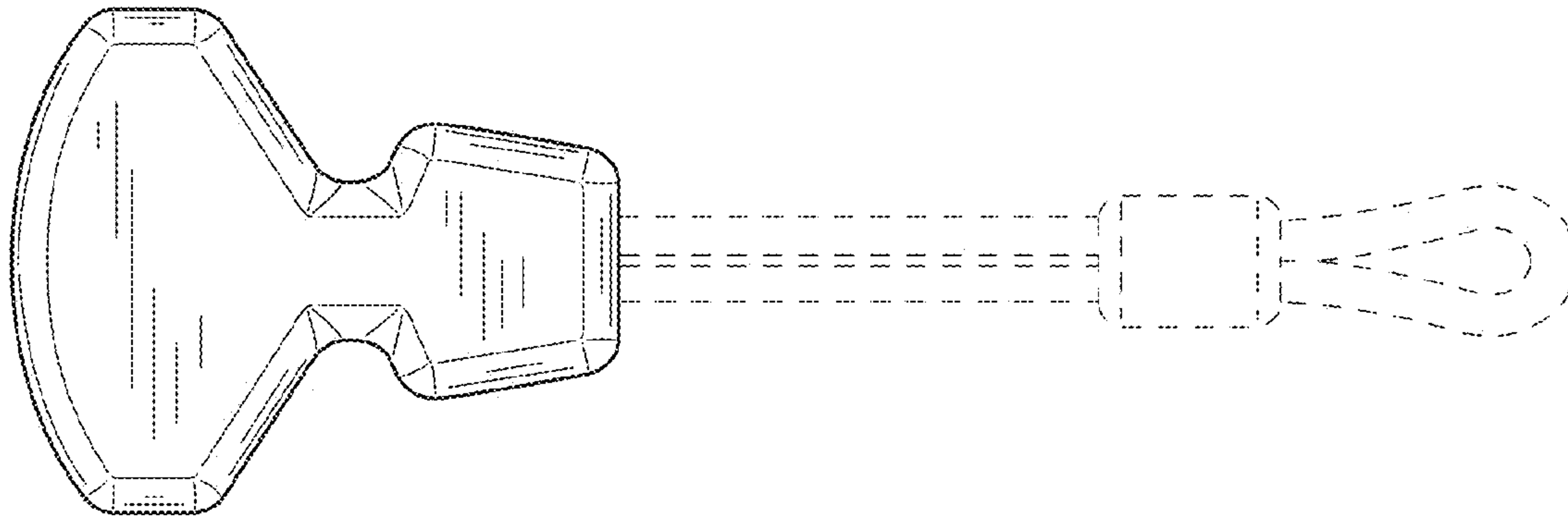


FIG. 5

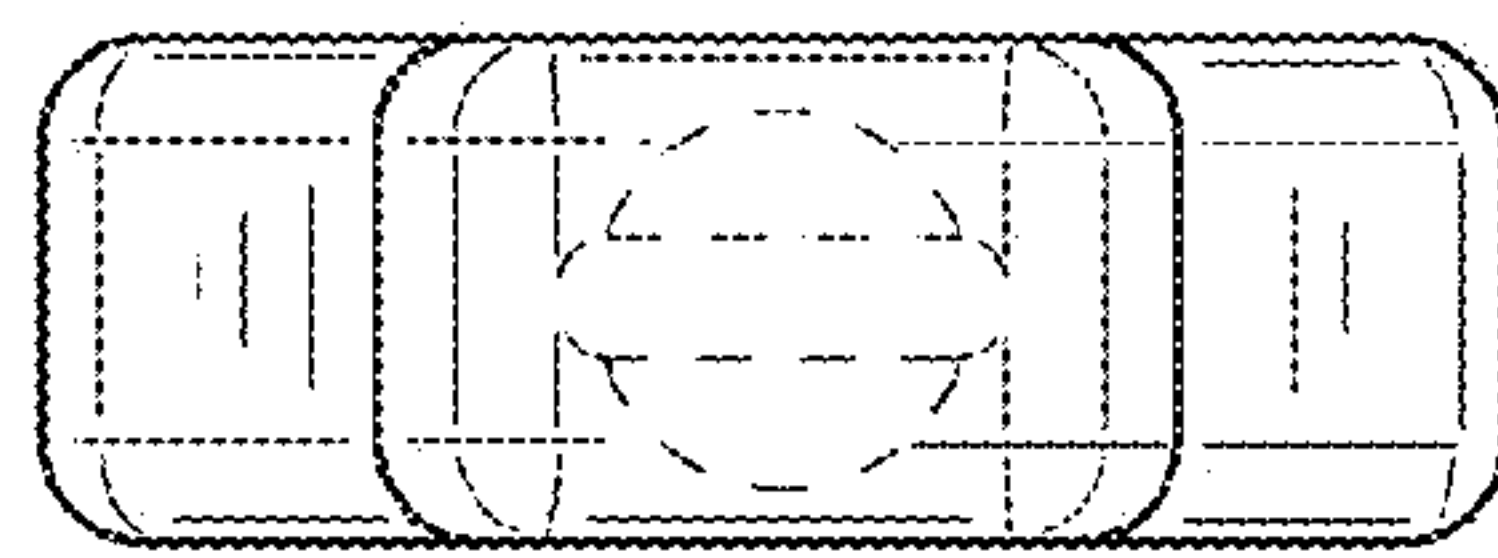


FIG. 6