



US00D709420S

(12) **United States Design Patent**
Watkins

(10) **Patent No.:** **US D709,420 S**
(45) **Date of Patent:** **** Jul. 22, 2014**

(54) **PAIR OF VEHICLE REAR BUMPER TRIMS**

(71) Applicant: **Land Rover**, Warwickshire (GB)

(72) Inventor: **James Watkins**, Warwickshire (GB)

(73) Assignee: **Land Rover** (GB)

(**) Term: **14 Years**

(21) Appl. No.: **29/435,138**

(22) Filed: **Oct. 19, 2012**

(30) **Foreign Application Priority Data**

Apr. 19, 2012 (EM) 002029447

Aug. 13, 2012 (EM) 002087189

Aug. 13, 2012 (EM) 002087320

Aug. 13, 2012 (EM) 002087718

(51) **LOC (10) Cl.** **12-08**

(52) **U.S. Cl.**
USPC **D12/190; D12/196**

(58) **Field of Classification Search**
USPC D12/86, 90, 91, 92, 110, 114, 126, 163,
D12/166, 169, 172, 181, 190, 223, 216,
D12/400; D11/81, 133, 157, 172, 211;
D20/11, 23, 24, 25; 293/102, 115;
180/219; 296/1.07, 1.08, 78.1, 95.1,
296/96.11, 187.01–187.03, 187.09, 187.12;
280/288.1–288.4

See application file for complete search history.

(56) **References Cited**

U.S. PATENT DOCUMENTS

D160,465 S * 10/1950 Bannister D12/190

D227,799 S * 7/1973 Taylor D26/28

(Continued)

Primary Examiner — Philip S Hyder

Assistant Examiner — Darlington Ly

(74) *Attorney, Agent, or Firm* — Rader, Fishman & Grauer PLLC

(57) **CLAIM**

The ornamental design for a pair of vehicle rear bumper trims, as shown and described.

DESCRIPTION

FIG. 1 is a front and side perspective view of a left component for the pair of vehicle rear bumper trims;

FIG. 2 is a rear and side perspective view thereof;

FIG. 3 is an enlarged rear perspective view thereof;

FIG. 4 is an enlarged front perspective view thereof;

FIG. 5 is an exterior side elevation view thereof; and

FIG. 6 is an interior side elevation view thereof.

FIG. 7 is an exterior side elevation view of the left component for the pair of vehicle rear bumper trims incorporated into the rear bumper environment;

FIG. 8 is a top plan view of the left component for the pair of vehicle rear bumper trims.

FIG. 9 is a front and side perspective view of a right component for the pair of vehicle rear bumper trims;

FIG. 10 is a rear and side perspective view thereof;

FIG. 11 is an enlarged rear perspective view thereof;

FIG. 12 is an enlarged front perspective view thereof;

FIG. 13 is an exterior side elevation view thereof; and

FIG. 14 is an interior side elevation view thereof;

FIG. 15 is an exterior side elevation view of the right component for the pair of vehicle rear bumper trims incorporated into a rear bumper environment;

FIG. 16 is a top plan view of the right component for the pair of vehicle rear bumper trims.

FIG. 17 is a front perspective view of the pair of vehicle rear bumper trims;

FIG. 18 is a rear perspective view thereof;

FIG. 19 is a front elevation view thereof;

FIG. 20 is a rear elevation view thereof; and

FIG. 21 is a top plan view thereof; and

FIG. 22 is a rear perspective view of the pair of vehicle rear bumper trims incorporated into an entire motor vehicle environment.

The de-emphasized and halftone portions shown in the drawings illustrate environmental structure for the pair of vehicle rear bumper trims that forms no part of the claimed design.

1 Claim, 16 Drawing Sheets



(56)

References Cited

U.S. PATENT DOCUMENTS

D329,632 S * 9/1992 Masters D12/190
D370,284 S * 5/1996 Farchione D26/28
D391,378 S * 2/1998 Bannister D25/136
D451,870 S * 12/2001 Hurayt D12/190

D477,551 S * 7/2003 Stahel et al. D12/114
D575,198 S * 8/2008 Stahel et al. D12/114
D575,199 S * 8/2008 Stahel et al. D12/114
D575,201 S * 8/2008 Stahel et al. D12/114
D595,617 S * 7/2009 Million D12/114
D629,722 S * 12/2010 Stahel et al. D12/114
D630,136 S * 1/2011 Madden D12/114
* cited by examiner

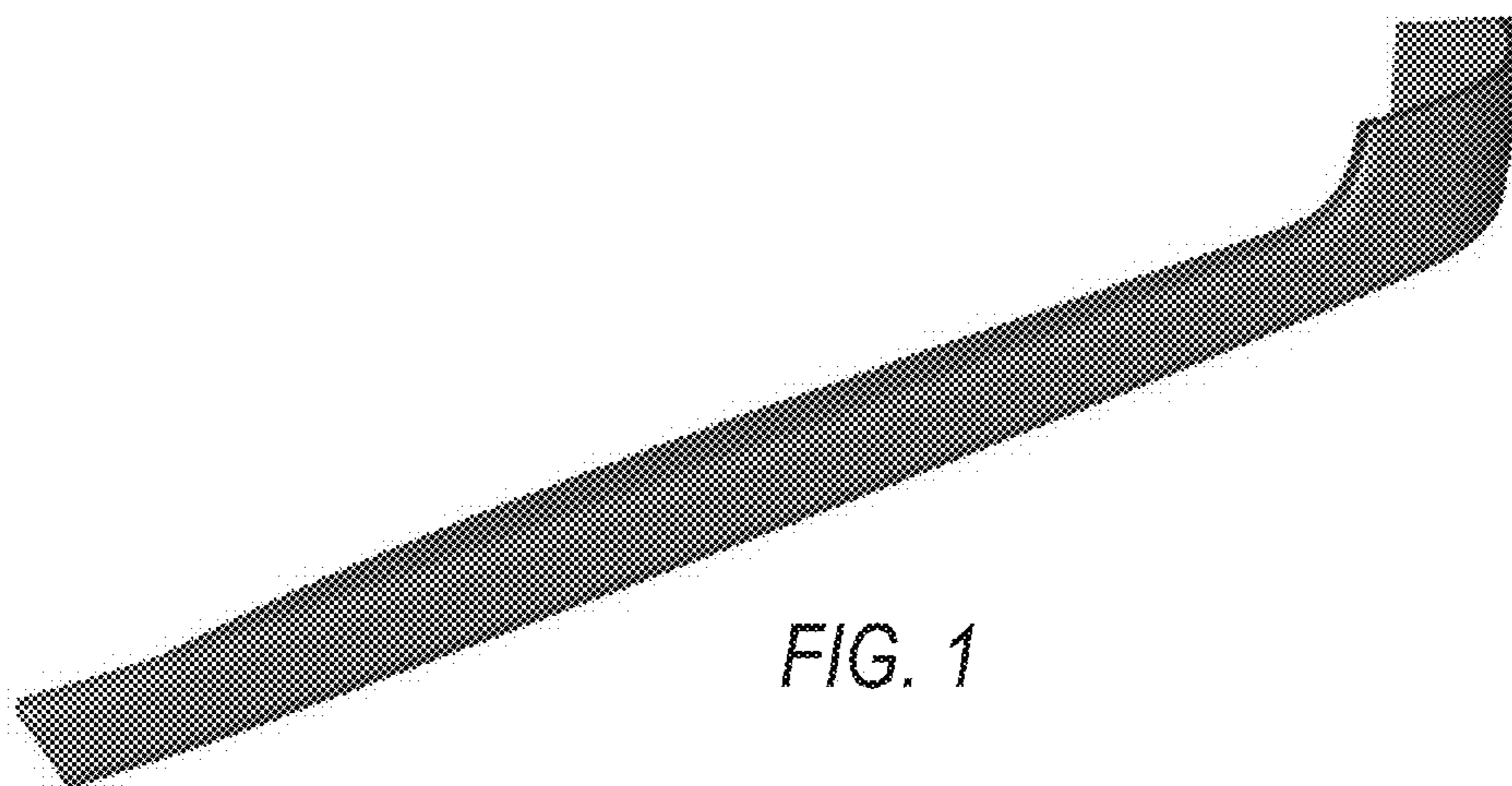


FIG. 1



FIG. 2

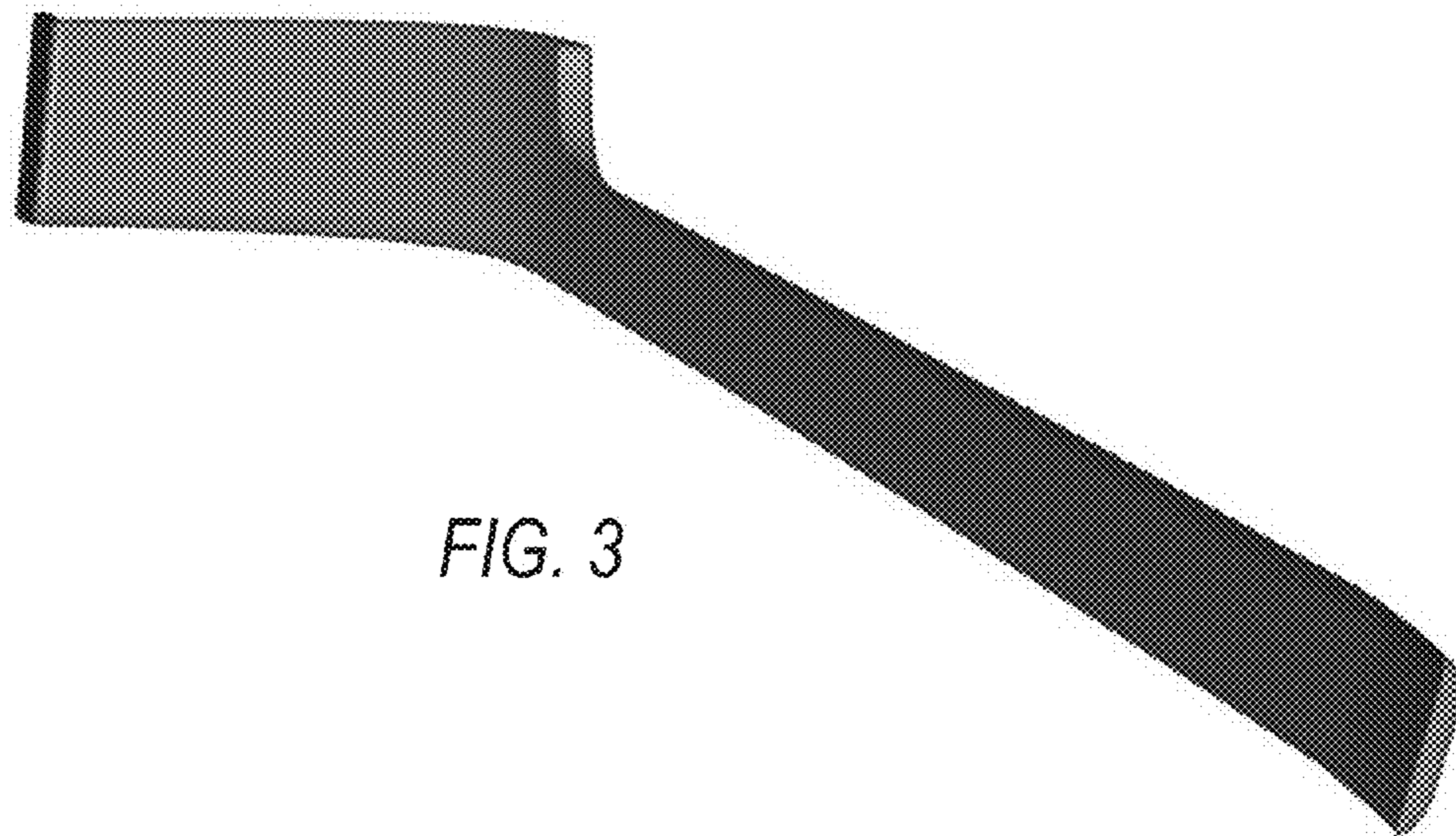


FIG. 3

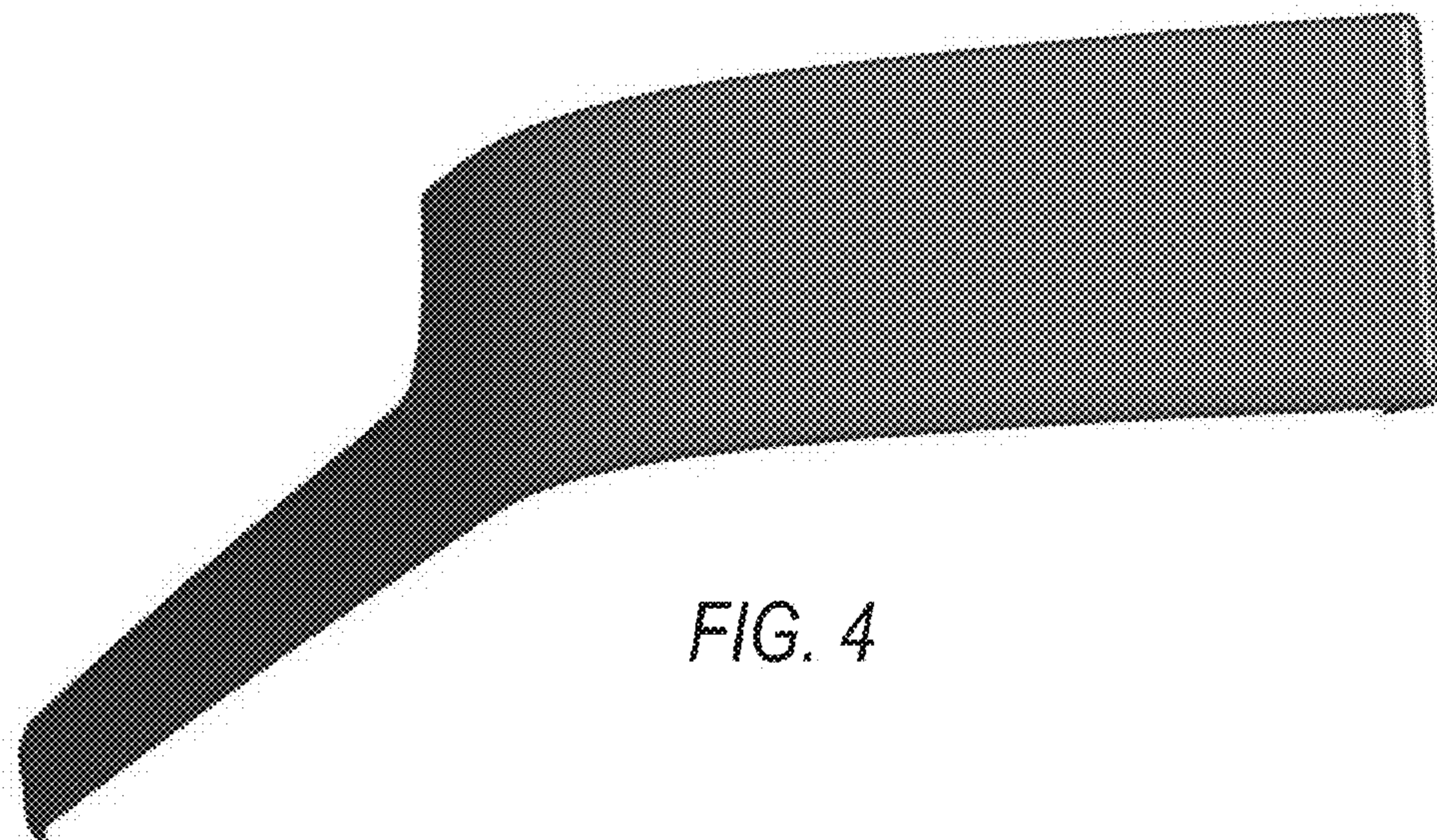


FIG. 4

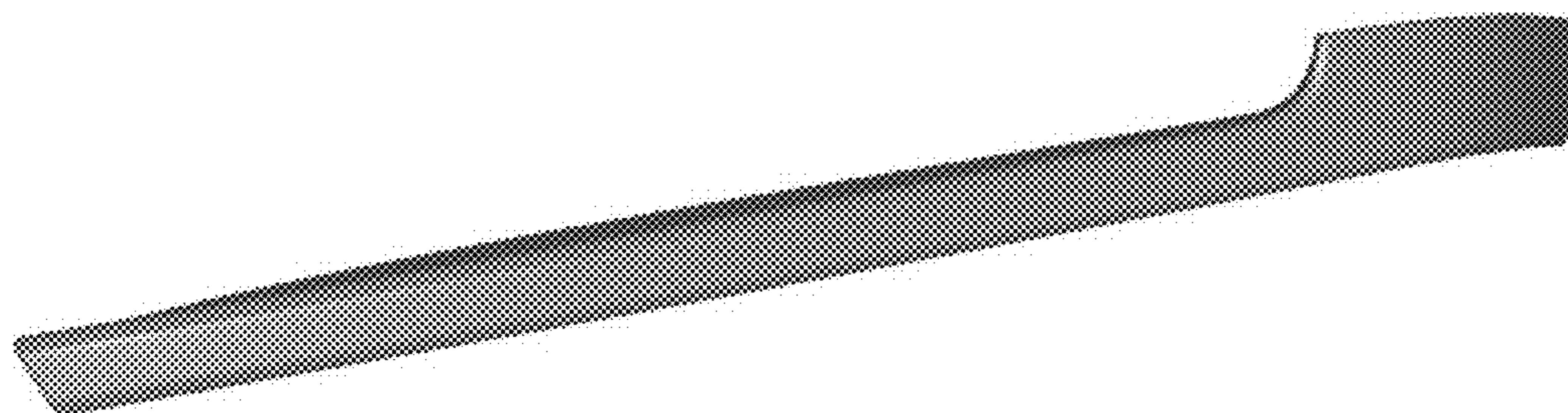


FIG. 5

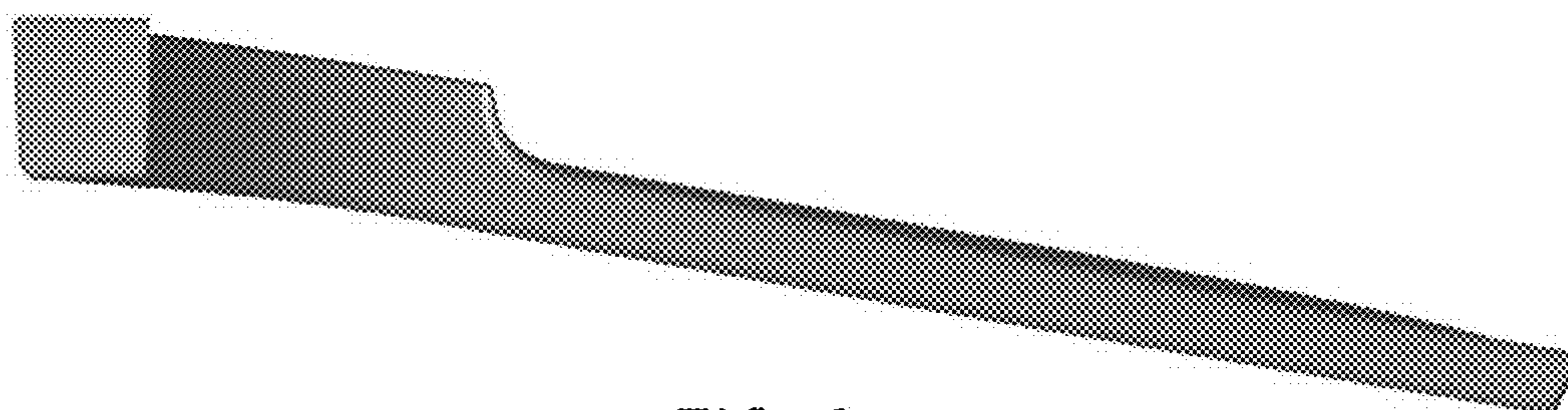


FIG. 6

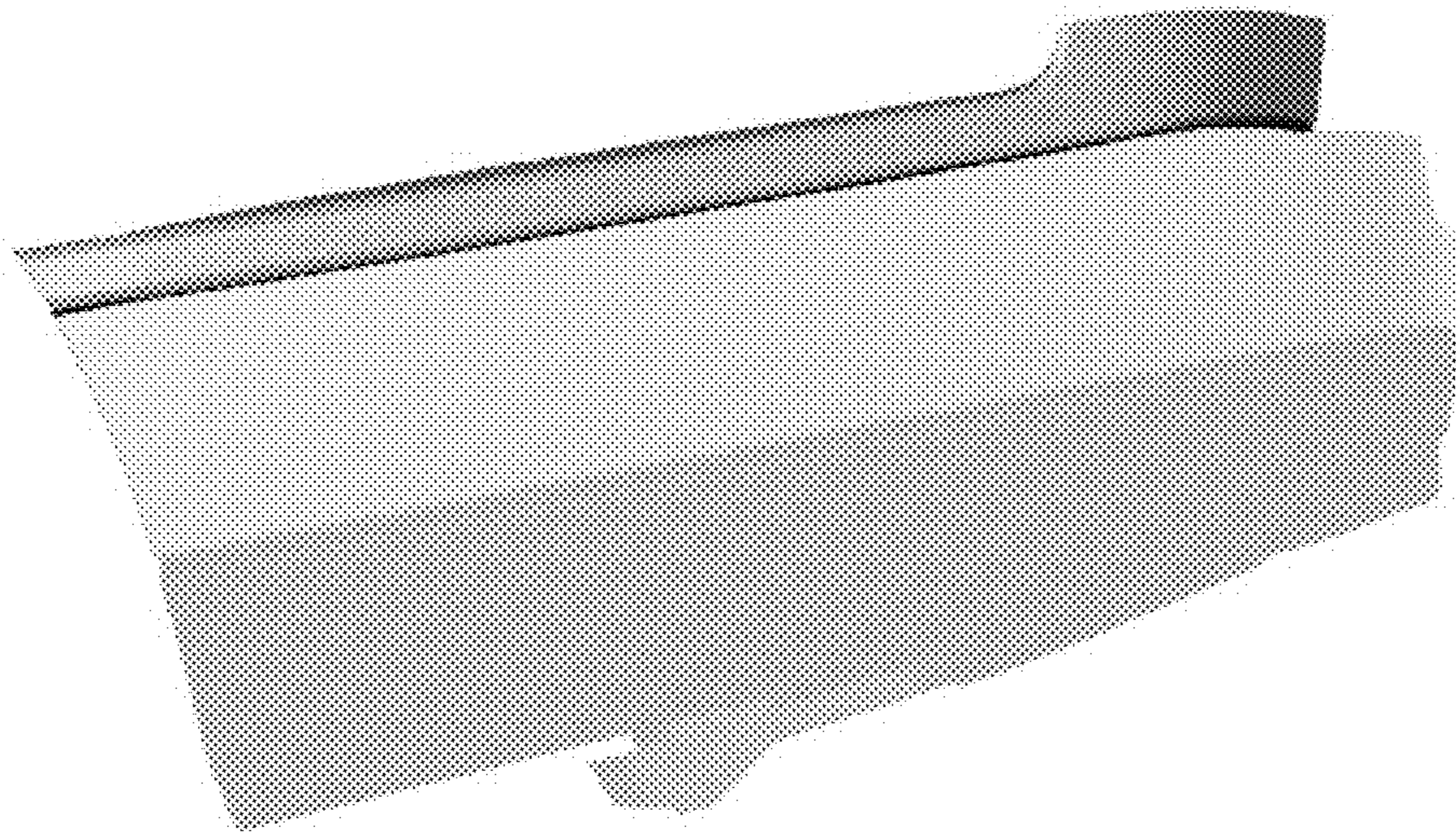


FIG. 7

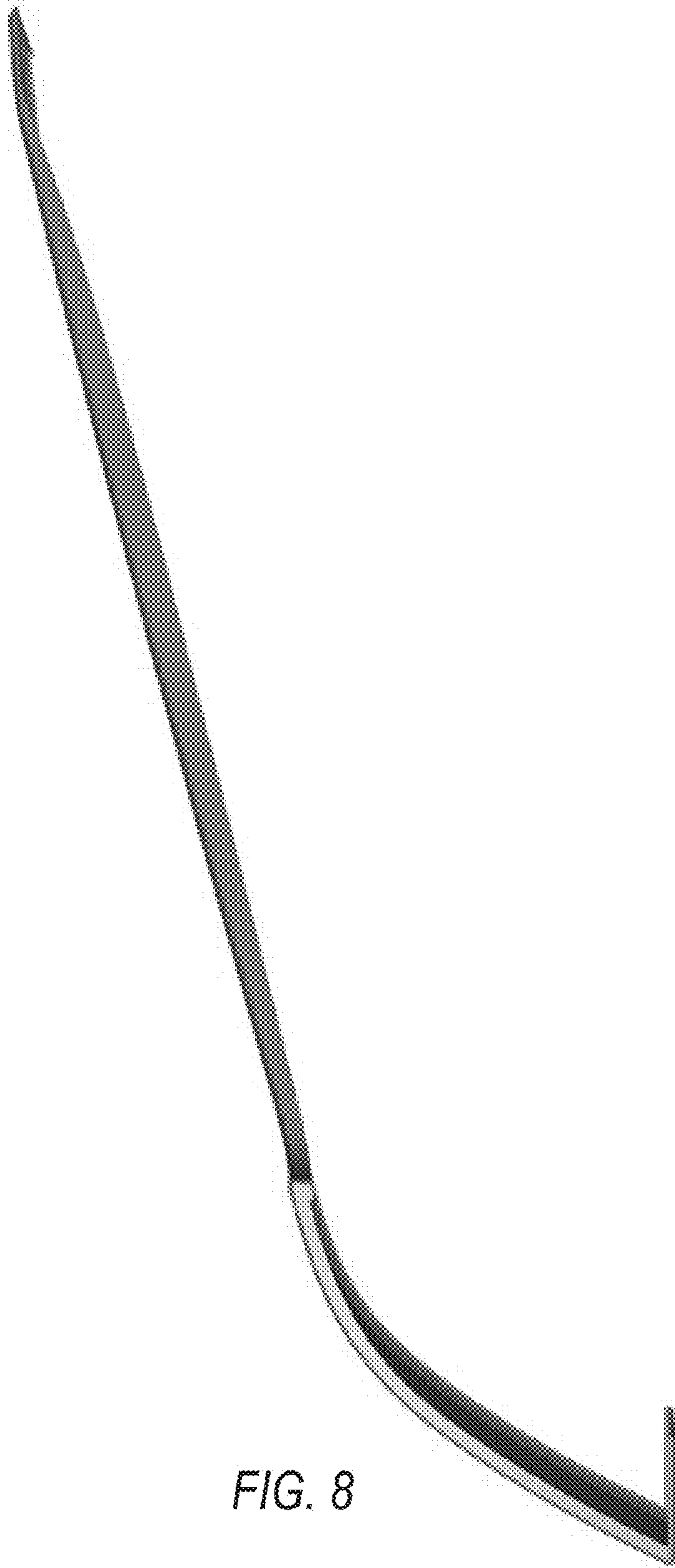


FIG. 8

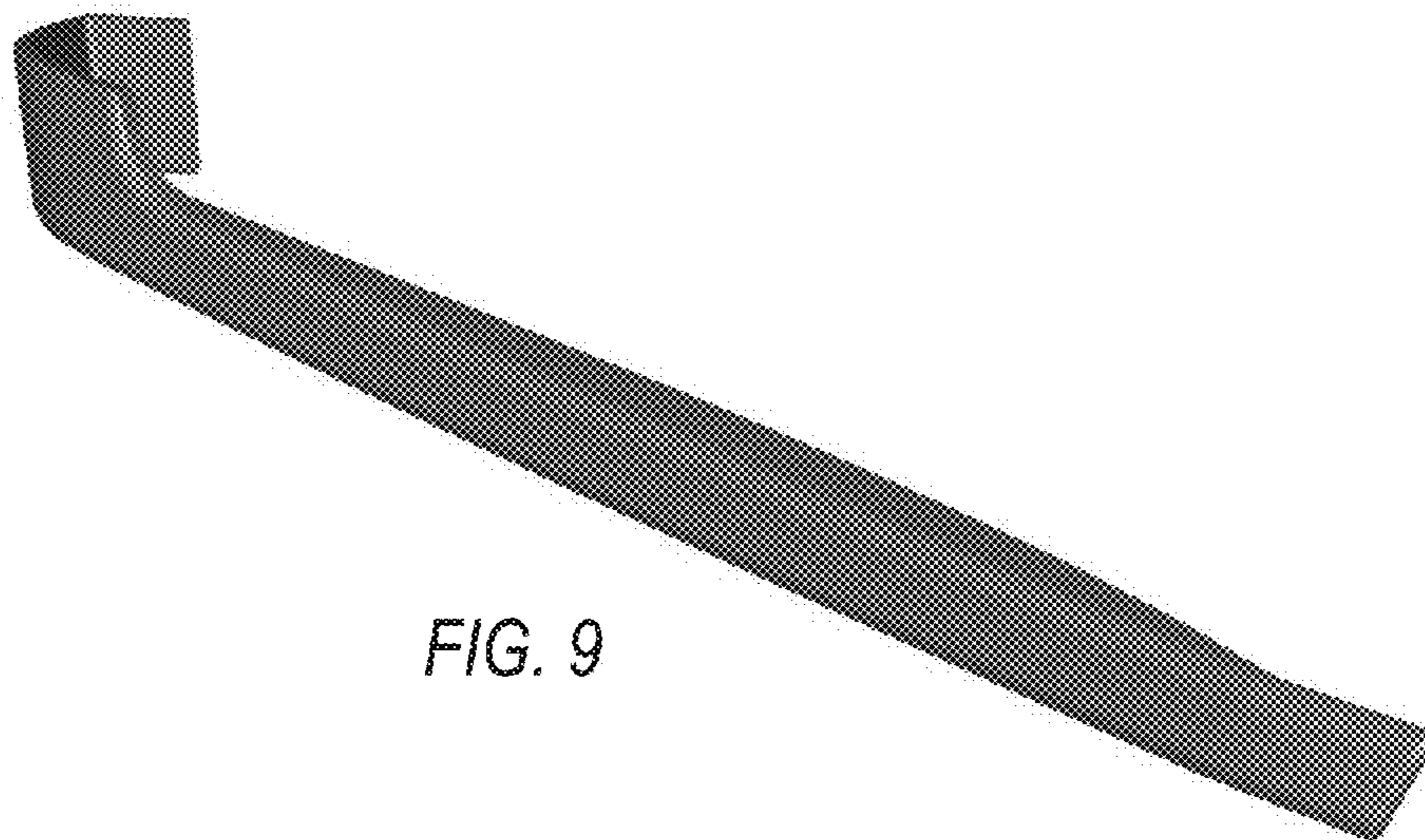


FIG. 9

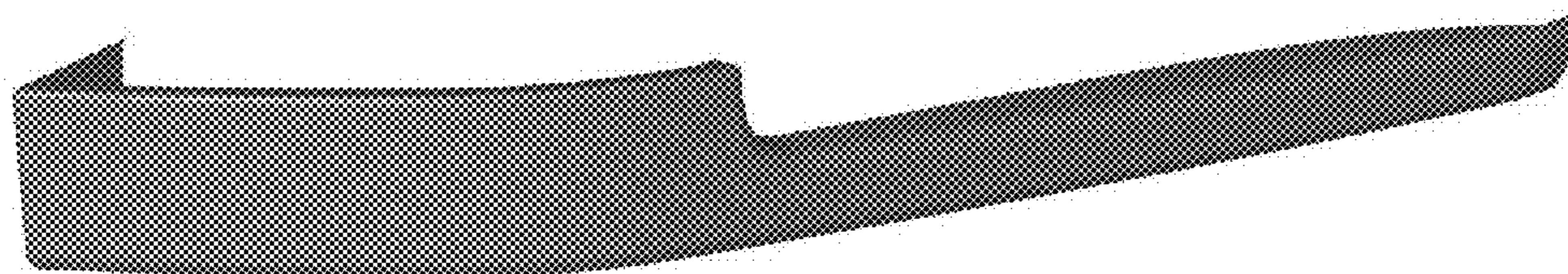


FIG. 10

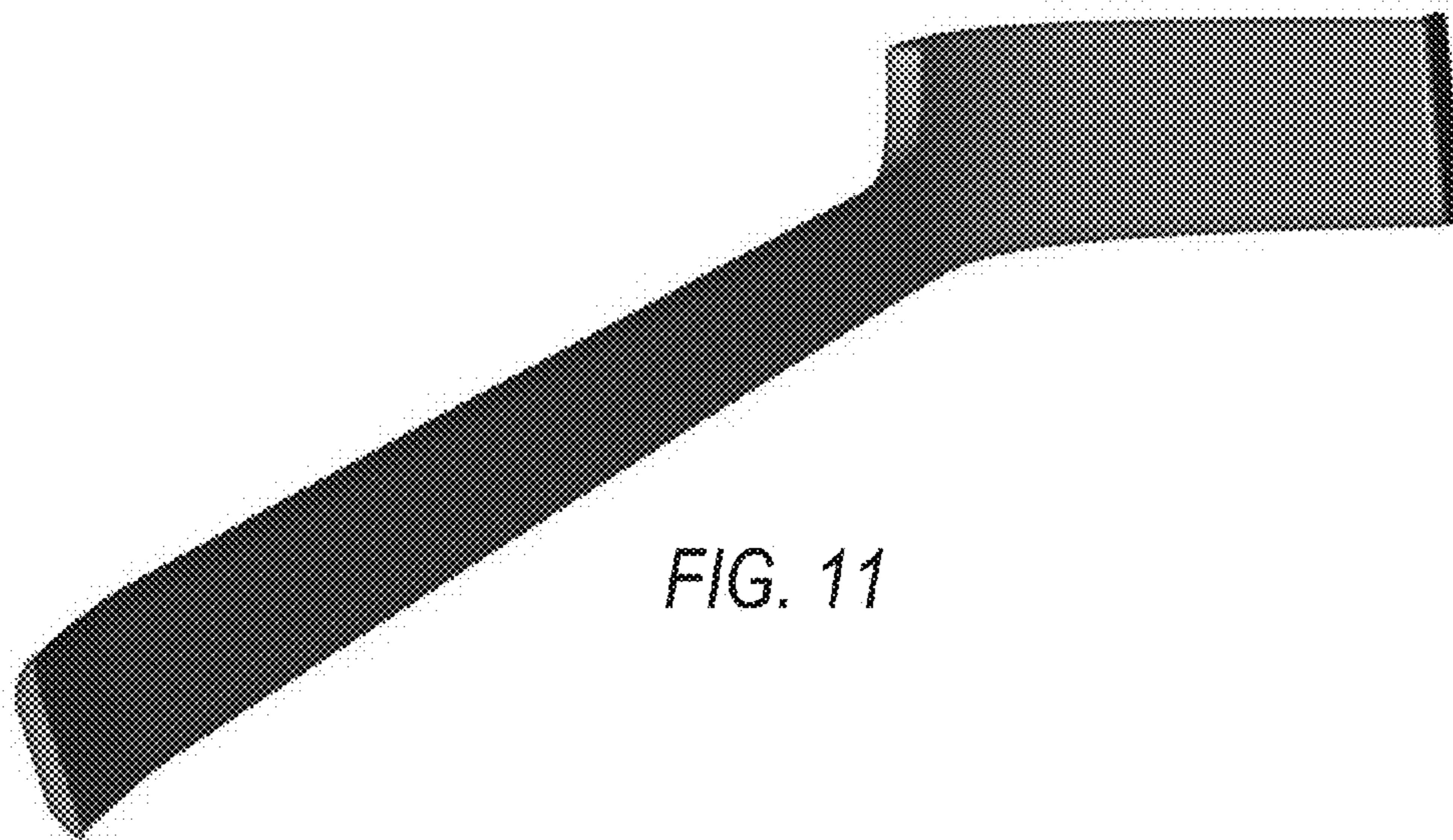


FIG. 11

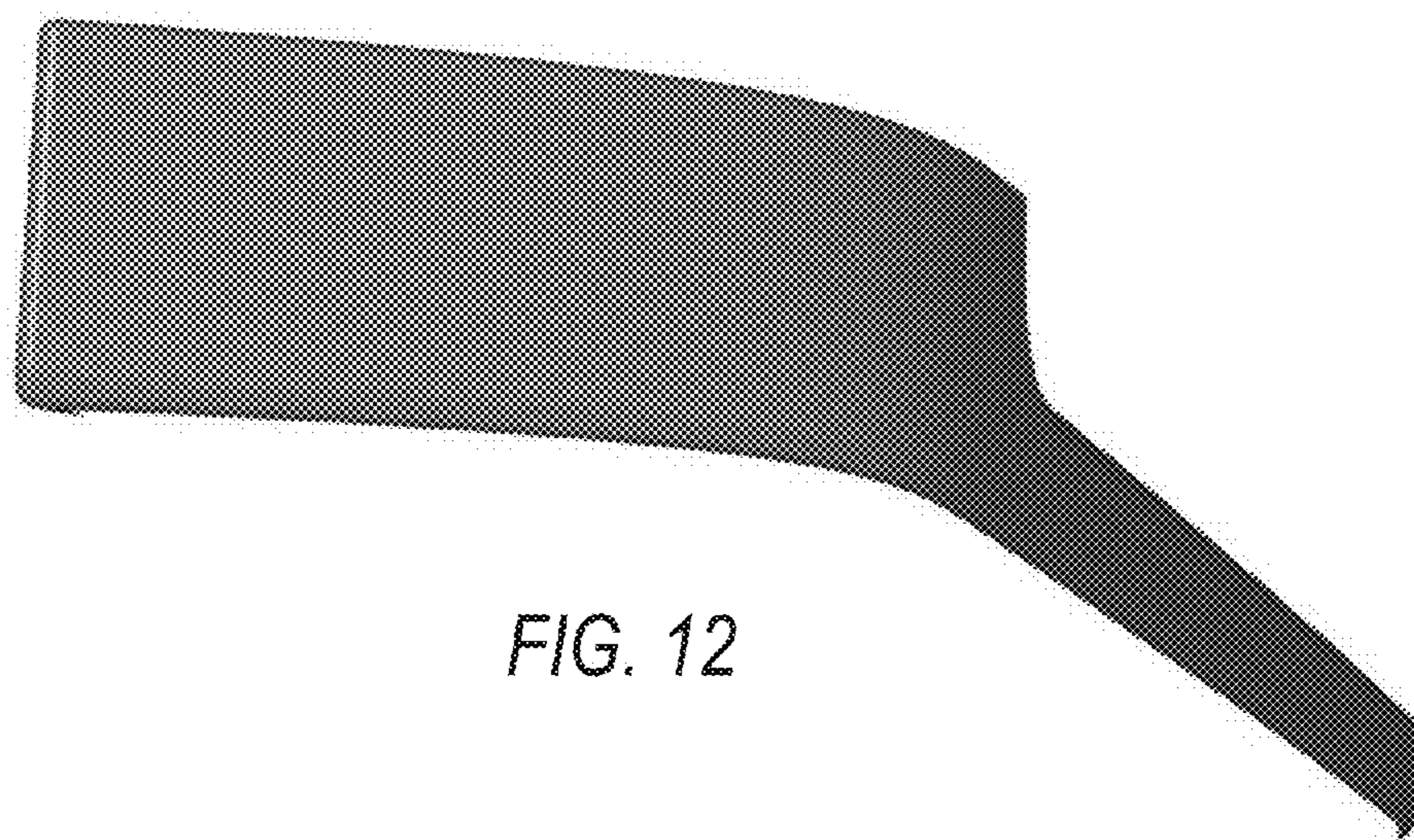


FIG. 12

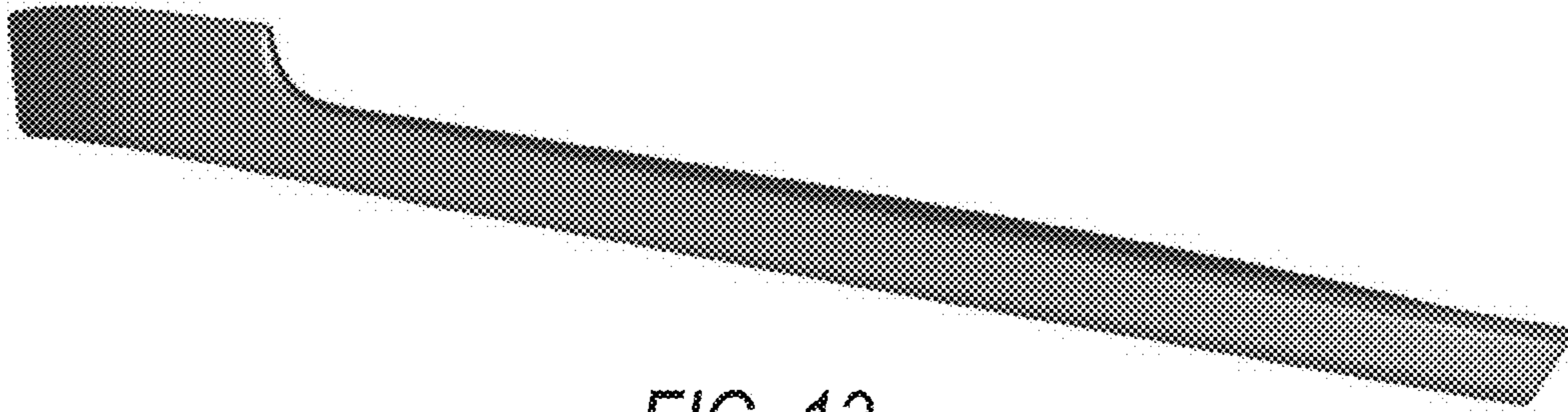


FIG. 13

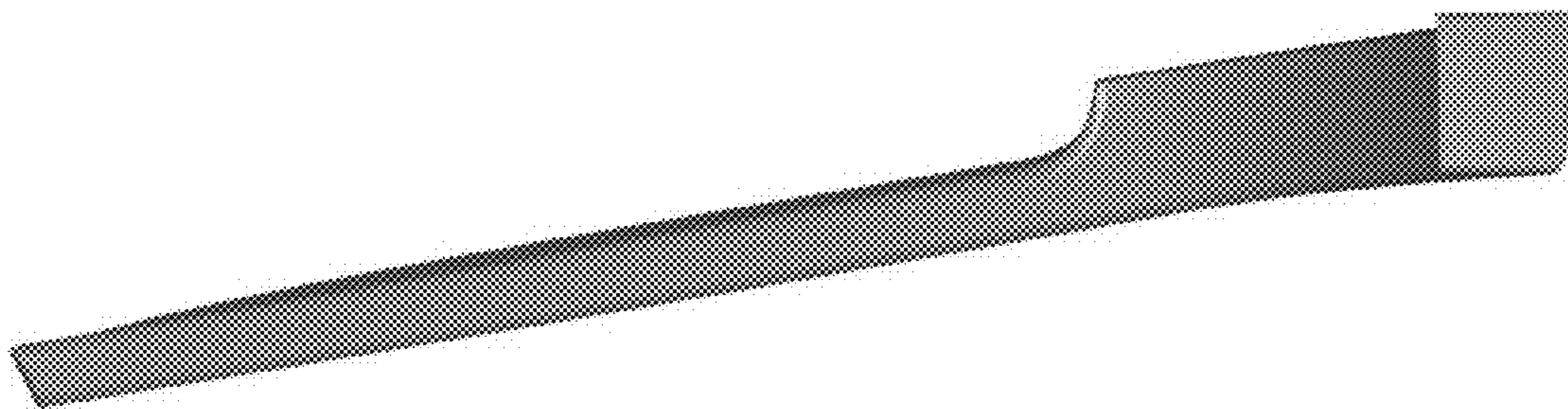


FIG. 14

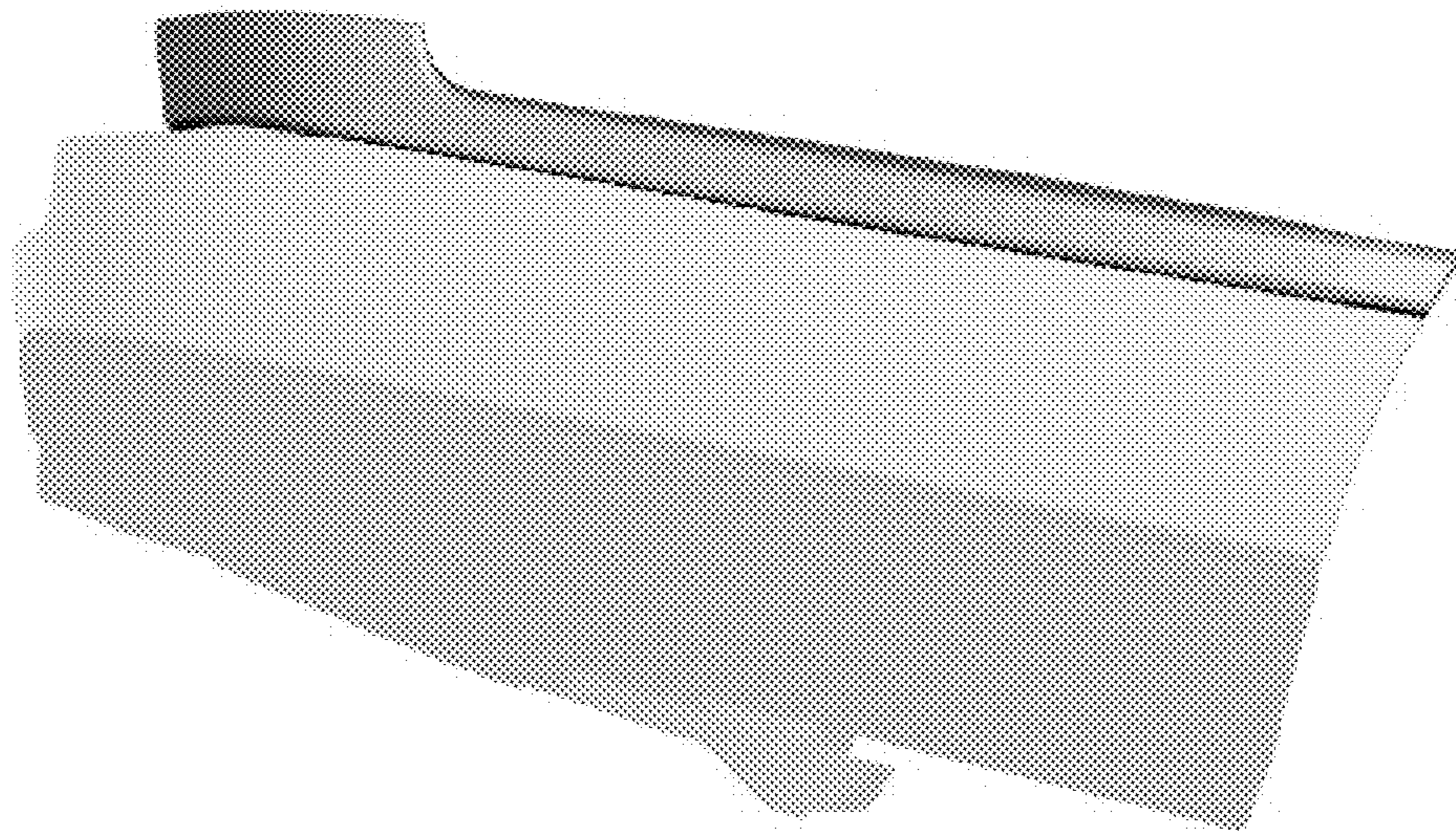


FIG. 15

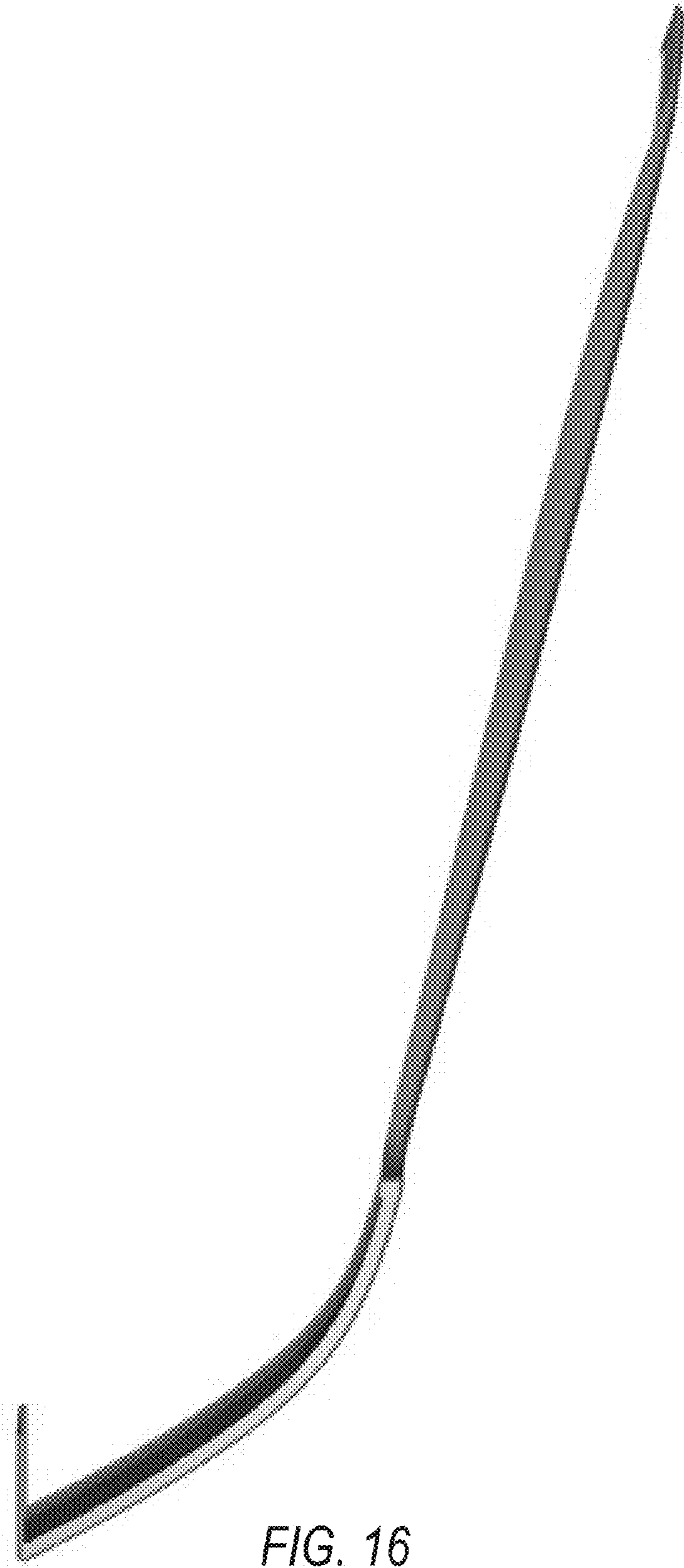


FIG. 16

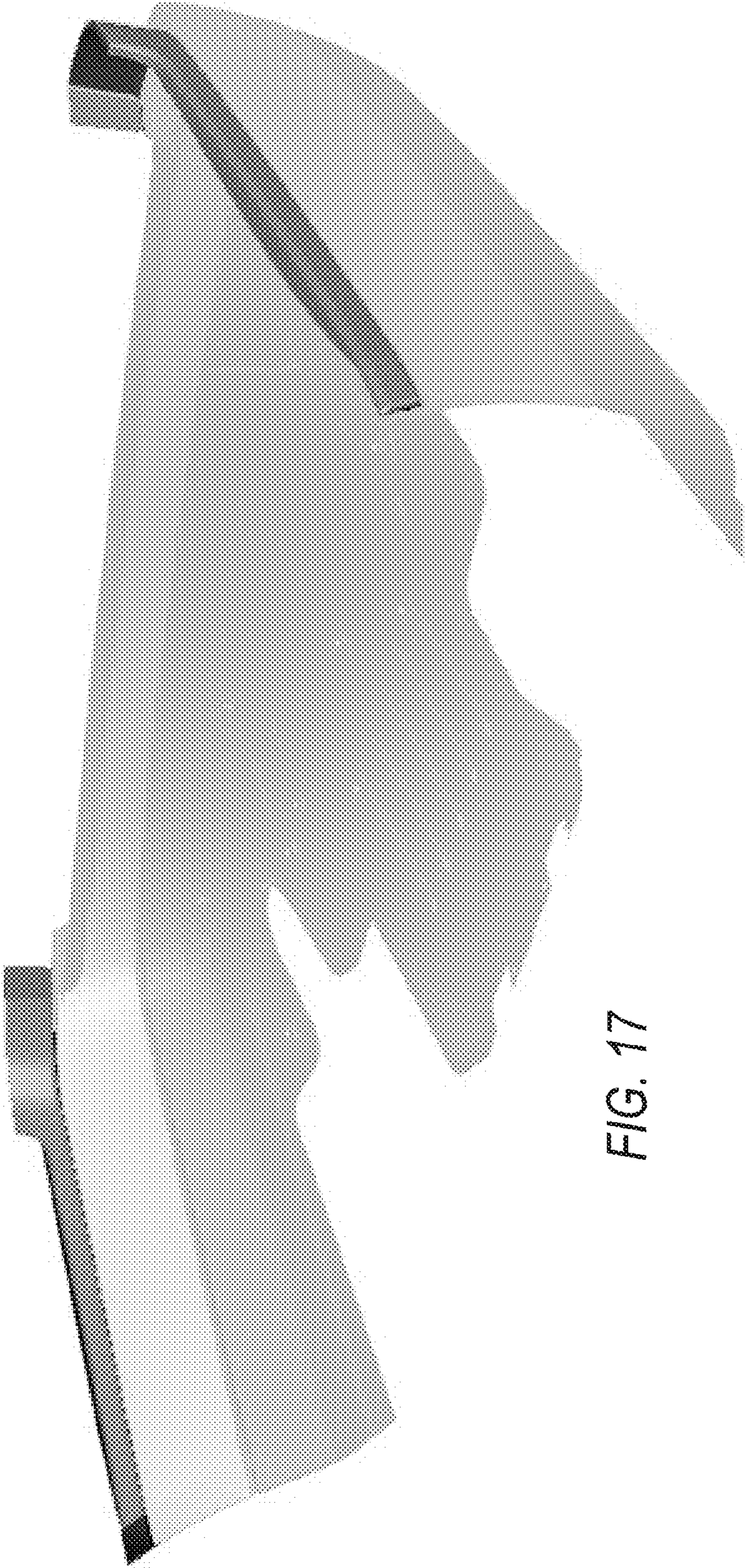


FIG. 17

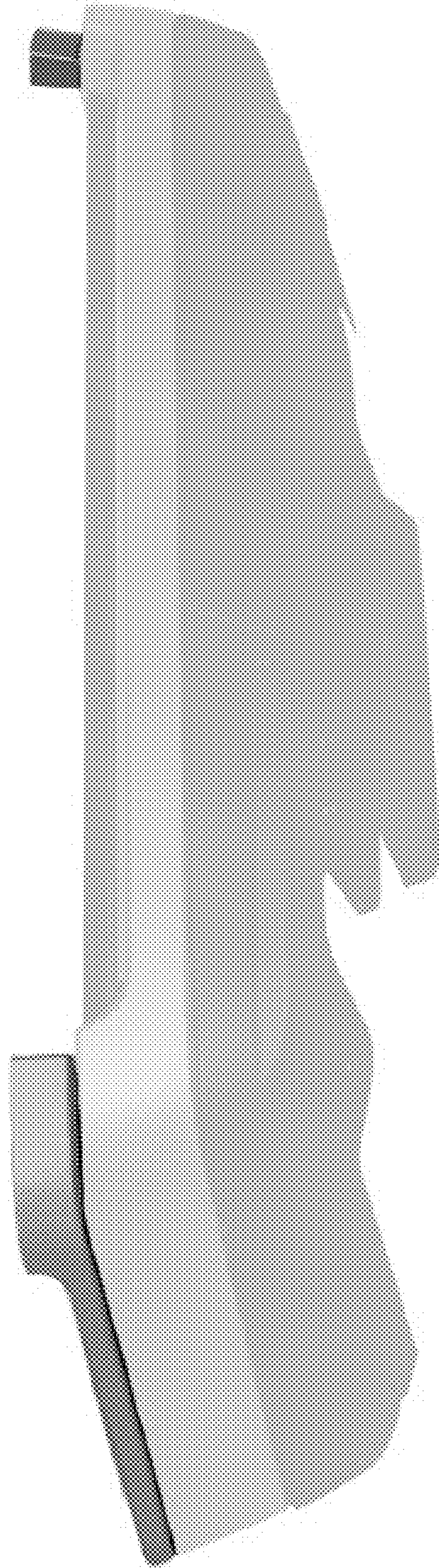


FIG. 18

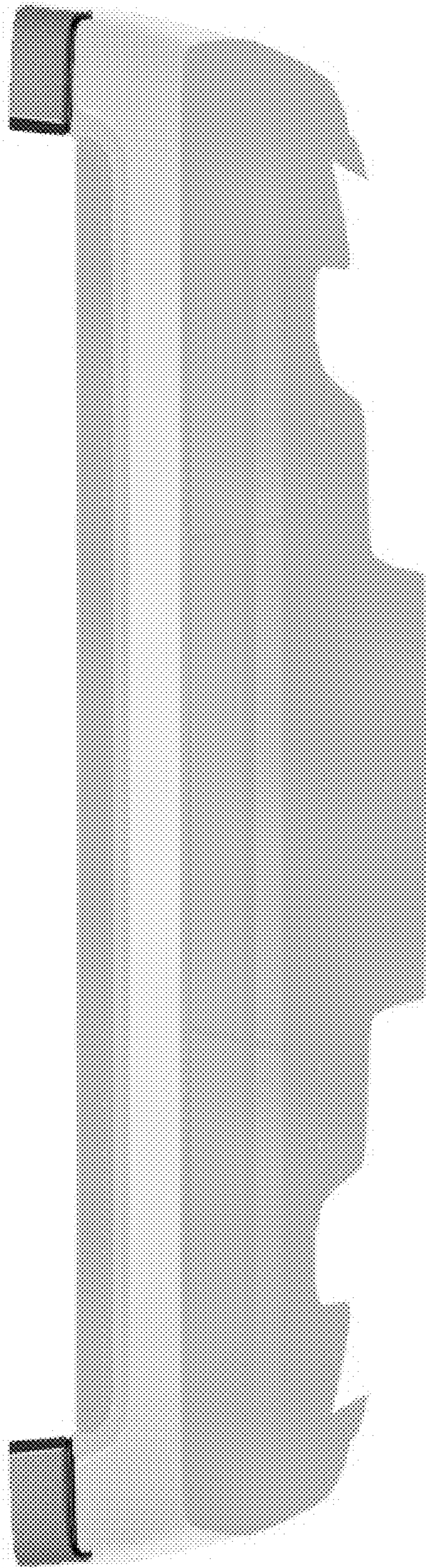


FIG. 19

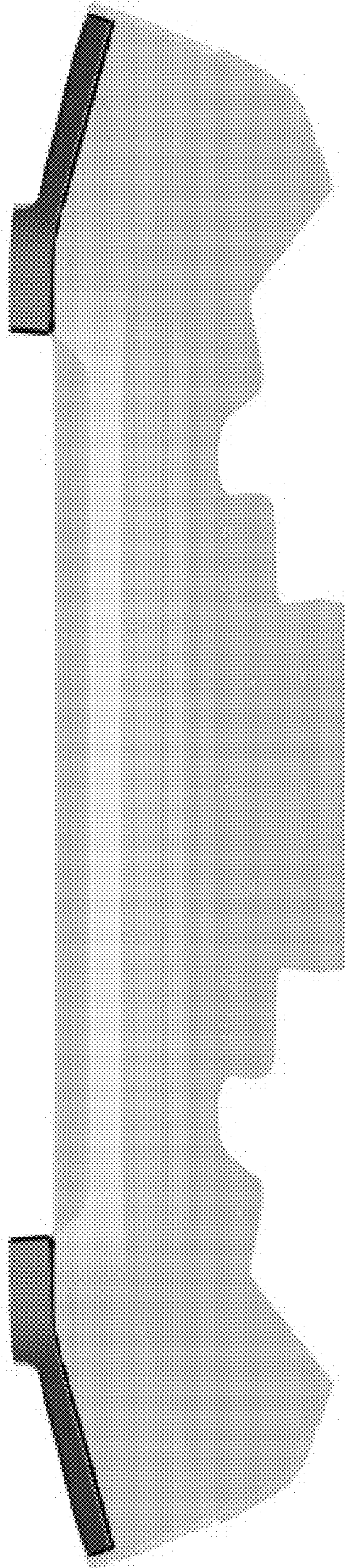


FIG. 20

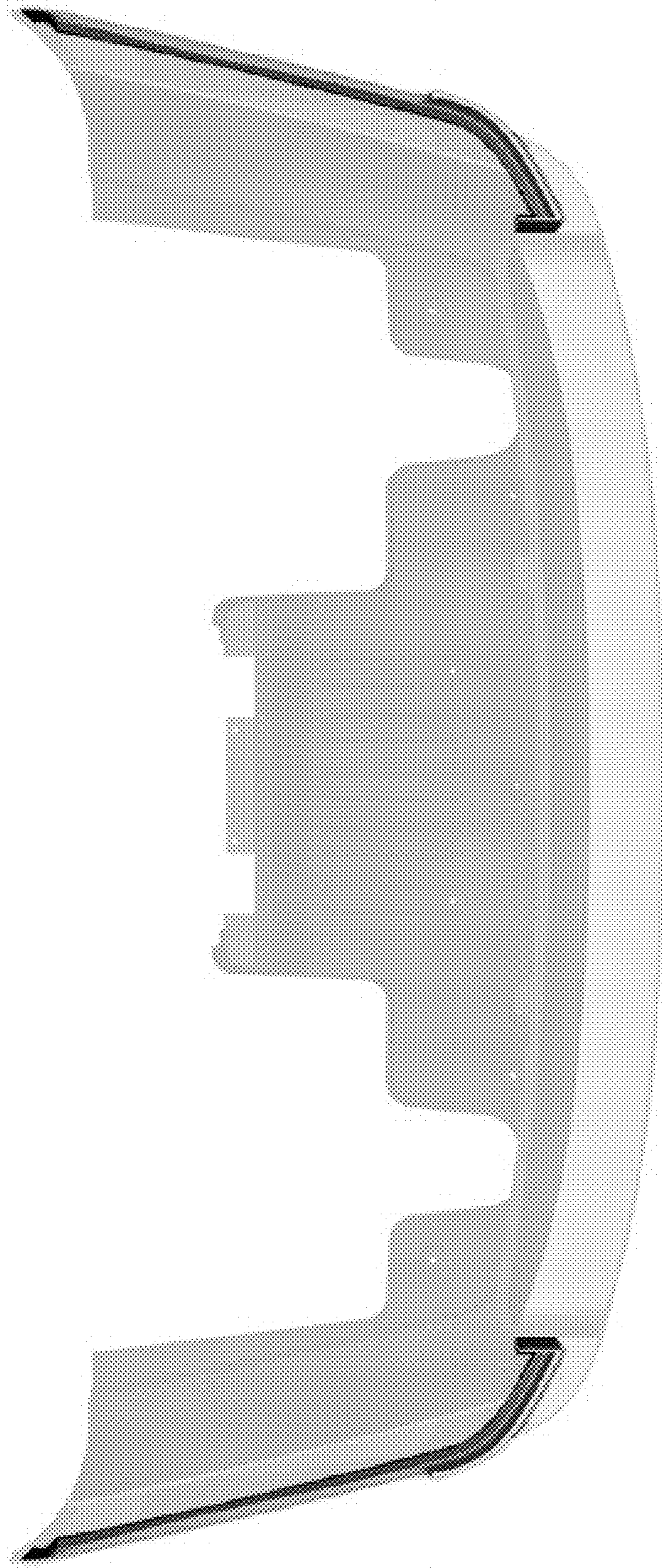


FIG. 21

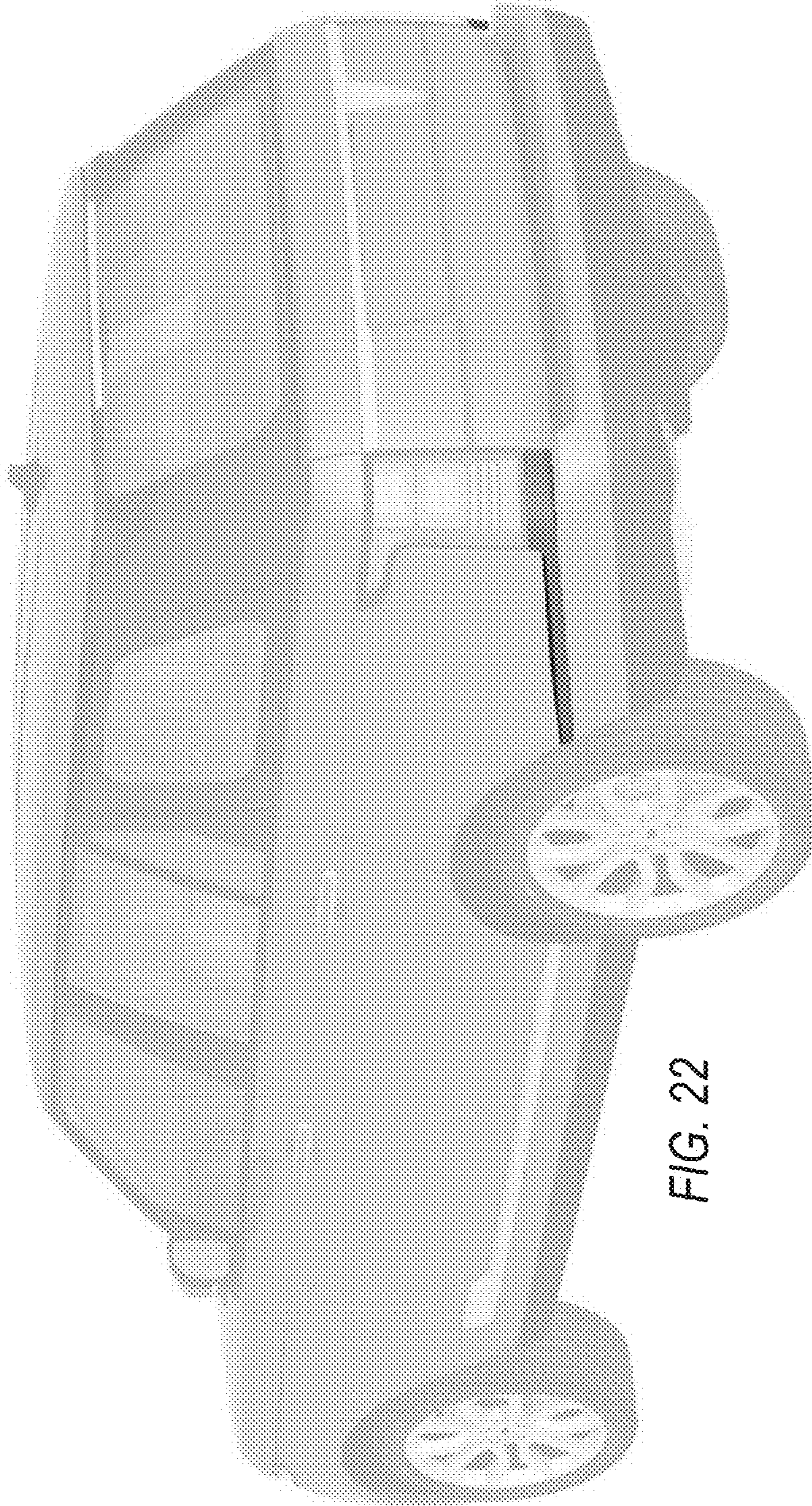


FIG. 22