



US00D709418S

(12) **United States Design Patent**
Jordan

(10) **Patent No.:** **US D709,418 S**
(45) **Date of Patent:** **** Jul. 22, 2014**

(54) **CLAMP PAD GUARD FOR A LIFT TRUCK OR THE LIKE**

(75) Inventor: **D. Clark Jordan**, Boring, OR (US)

(73) Assignee: **Cascade Corporation**, Fairview, OR (US)

(**) Term: **14 Years**

(21) Appl. No.: **29/412,973**

(22) Filed: **Feb. 9, 2012**

(51) **LOC (10) Cl.** **12-16**

(52) **U.S. Cl.**
USPC **D12/190**

(58) **Field of Classification Search**
USPC D12/190, 192, 400, 90, 91, 92, 199,
D12/197, 86, 171, 169, 163, 110, 114;
D11/211, 81, 157, 133, 172; D20/11,
D20/23, 24, 25, 30, 31, 32; 293/102, 115;
40/413, 591, 592; 428/31

See application file for complete search history.

(56) **References Cited**

U.S. PATENT DOCUMENTS

D62,398 S	5/1923	Hunt	
D182,489 S *	4/1958	McKeever	D11/137
D233,242 S	10/1974	Brotman	
4,050,231 A *	9/1977	Lopez et al.	368/273
D254,403 S	3/1980	Brouwer	
D272,424 S	1/1984	Stahel	
D325,888 S	5/1992	Carroll	
D340,205 S *	10/1993	Ilaria et al.	D11/137
D356,637 S *	3/1995	El-Assir	D23/367
D379,000 S *	4/1997	Choi	D12/213
D444,000 S *	6/2001	Jackson	D6/419

(Continued)

OTHER PUBLICATIONS

Cascade Corporation, Design U.S. Appl. No. 29/417,483, entitled Eagle Insignia Badge for a Machine, filed Apr. 4, 2012, 3 pages.

(Continued)

Primary Examiner — Katrina A Betton

(74) *Attorney, Agent, or Firm* — Chernoff, Vilhauer, McClung & Stenzel, LLP

(57) **CLAIM**

The ornamental design for a clamp pad guard for a lift truck or the like, as shown and described.

DESCRIPTION

FIG. 1 is an isometric view from the upper left front of a clamp pad guard for a lift truck or the like, including my new design, wherein the shading of the eagle-shaped portion is intended to represent an opening extending entirely through the clamp pad guard;

FIG. 2 is a front elevational view thereof;

FIG. 3 is a left end elevational view thereof;

FIG. 4 is a right end elevational view thereof;

FIG. 5 is a top plan view thereof; and,

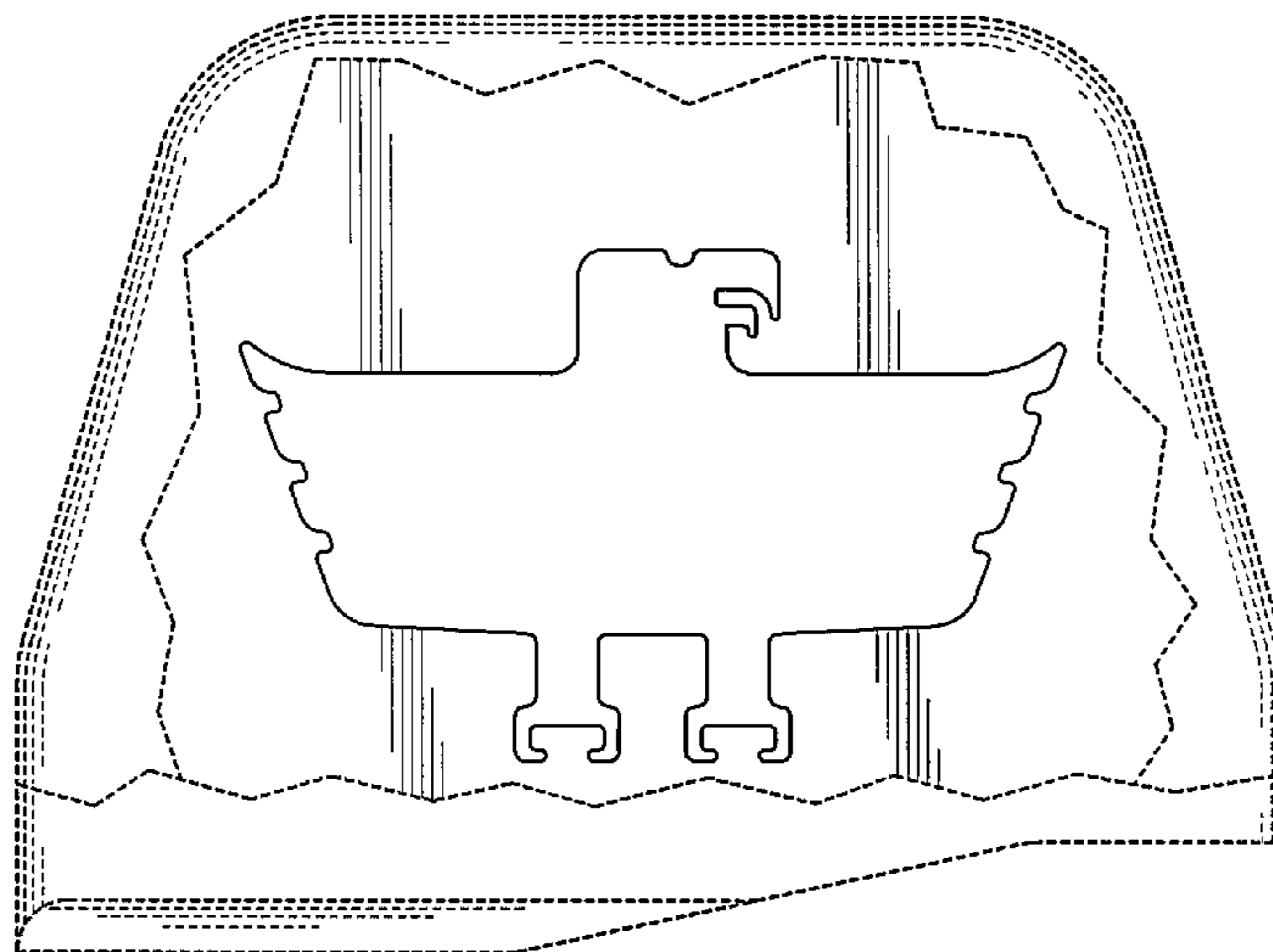
FIG. 6 is a rear elevational view thereof, the bottom of the clamp pad guard not including any part of the design.

Lower portions of the clamp pad guard are shown in broken line in FIGS. 1-4 and 6 and are included merely for illustrative purposes and form no part of the claimed design. The broken lines immediately adjacent to the shaded areas at the bottoms of the drawing views represent unclaimed boundaries of the design.

The shapes of the left end, top, and right end of the clamp pad guard are shown in broken line and are included merely for illustrative purposes and form no part of the claimed design. The broken lines immediately adjacent to the areas in FIGS. 1, 2, and 6 that are shaded in solid line represent unclaimed boundaries of the design.

The eagle shape of the opening as shown in FIGS. 1 and 2 and in reversed form in FIG. 6 is part of a trademark of Cascade Corporation, an Oregon corporation.

1 Claim, 3 Drawing Sheets



(56)

References Cited

U.S. PATENT DOCUMENTS

D451,841 S * 12/2001 Kapustinski D11/162
D469,395 S * 1/2003 Himsl et al. D12/400
D496,413 S * 9/2004 Weiser D21/608
D496,696 S * 9/2004 Weiser D21/606
D504,376 S 4/2005 Tsai
D520,403 S 5/2006 Schumacher
D585,776 S 2/2009 Cowen et al.
D646,211 S 10/2011 Hu
D670,595 S * 11/2012 Vandehey et al. D11/107

D681,126 S * 4/2013 Bengyak D20/30
D700,243 S * 2/2014 Bengyak D20/30

OTHER PUBLICATIONS

Cascade Corporation, Design U.S. Appl. No. 29/412,951, entitled eagle Insignia Badge for a Lift Truck or the Like, filed Feb. 9, 2012, 8 pages.

Cascade Corporation, U.S. Trademark Registration No. 1,153,668, entitled C & Design, registered May 12, 1981, 1 page.

Cascade Corporation, www.cascorp.com, Sep. 12, 2012, 1 page.

* cited by examiner

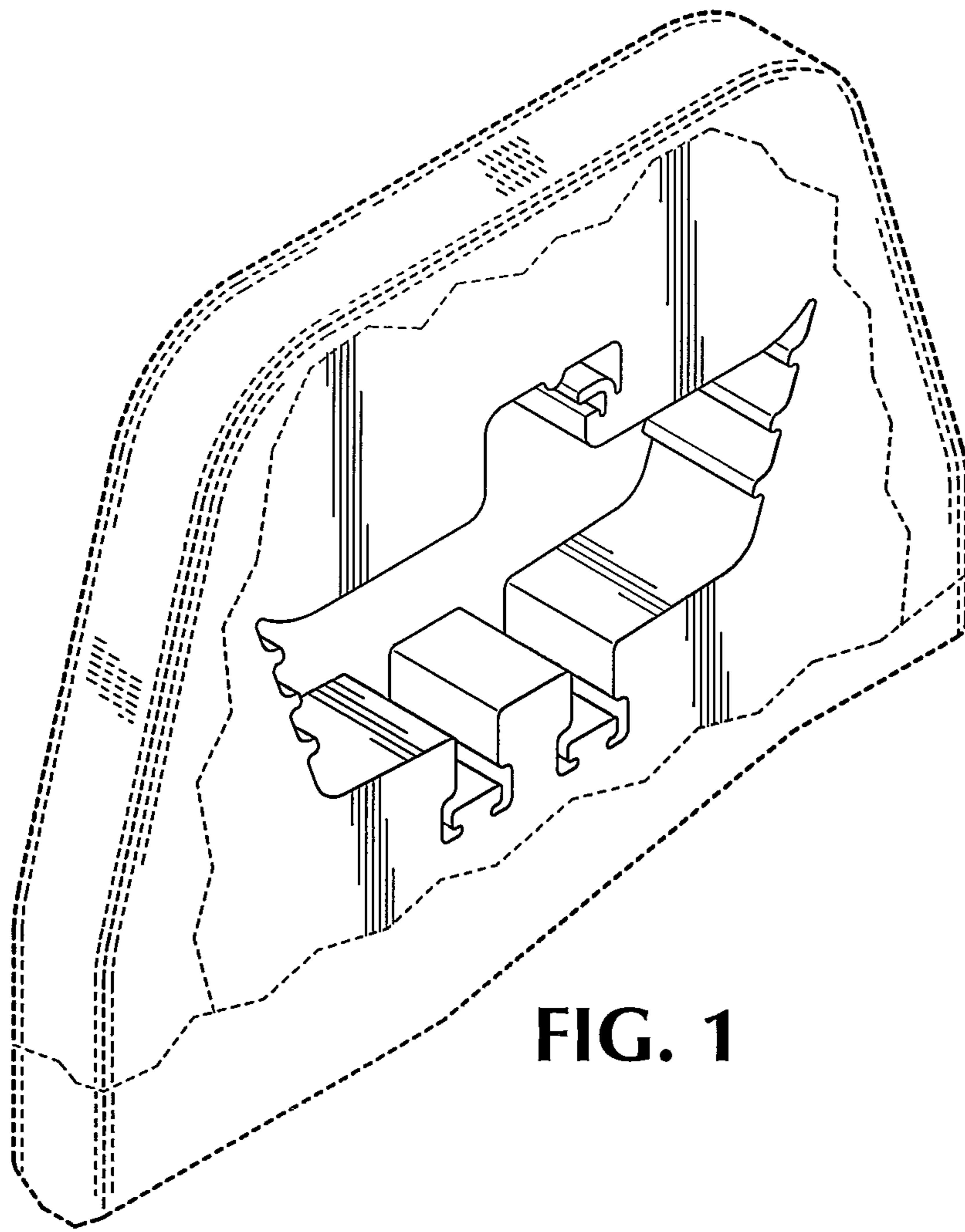


FIG. 1



FIG. 4

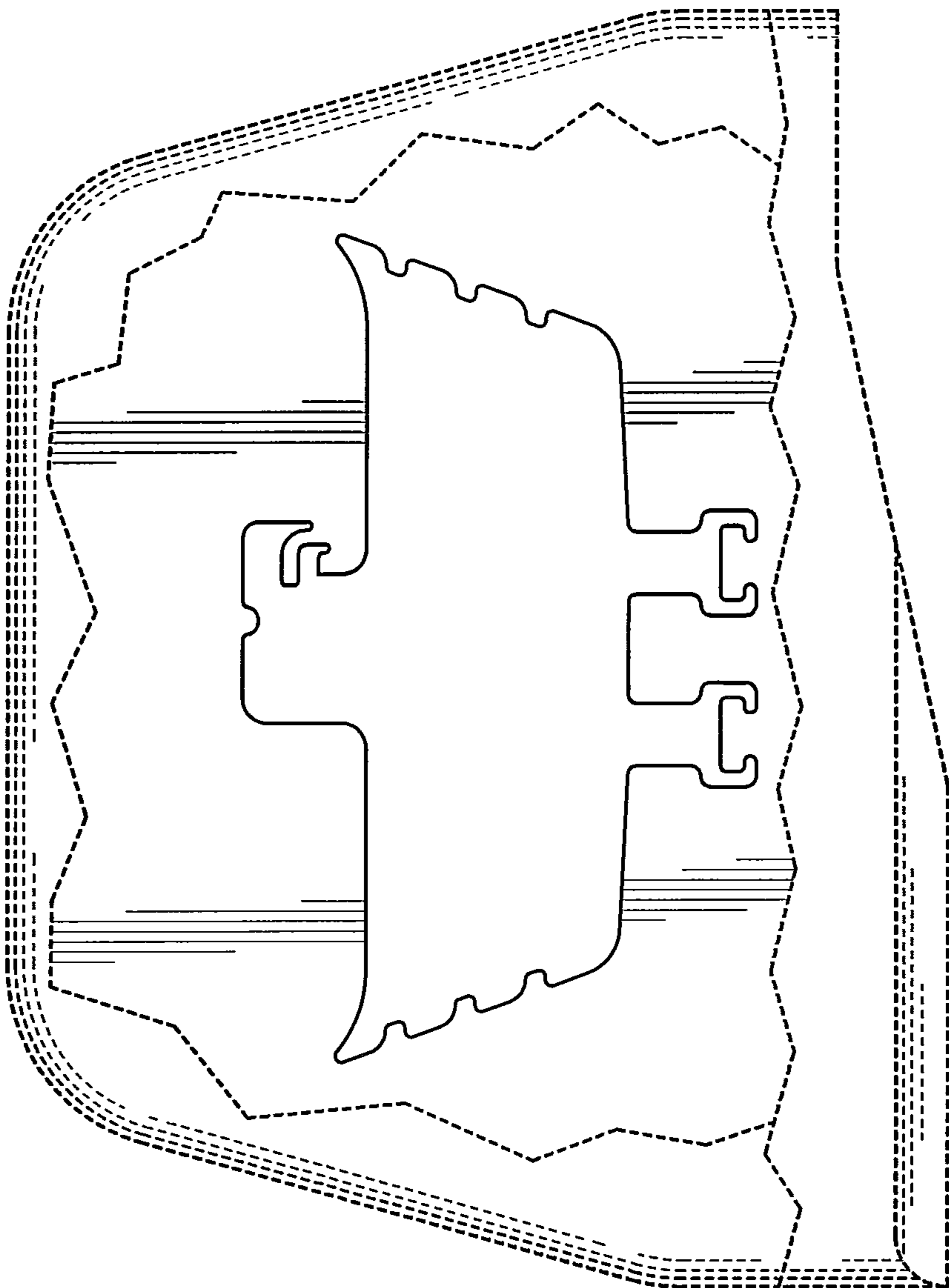


FIG. 2

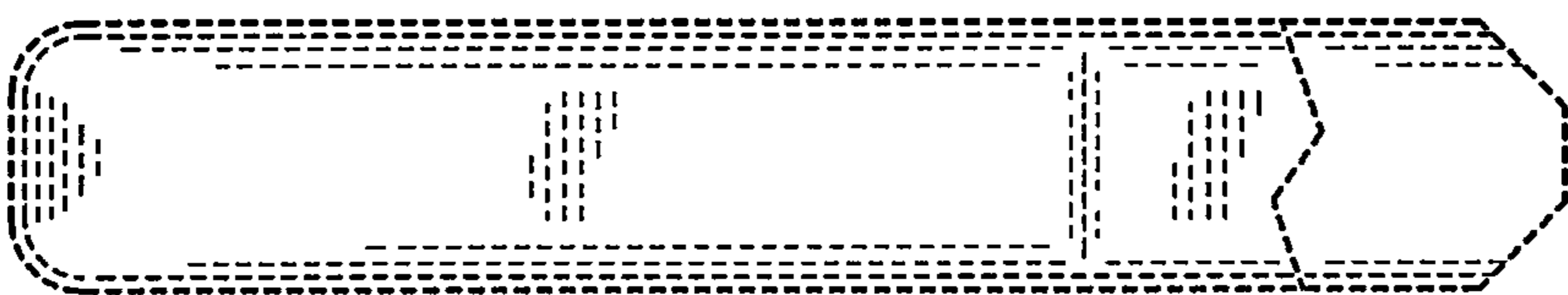


FIG. 3

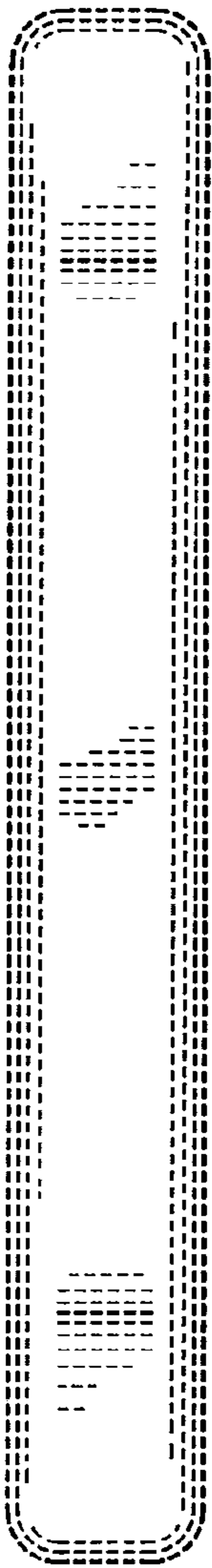


FIG. 5

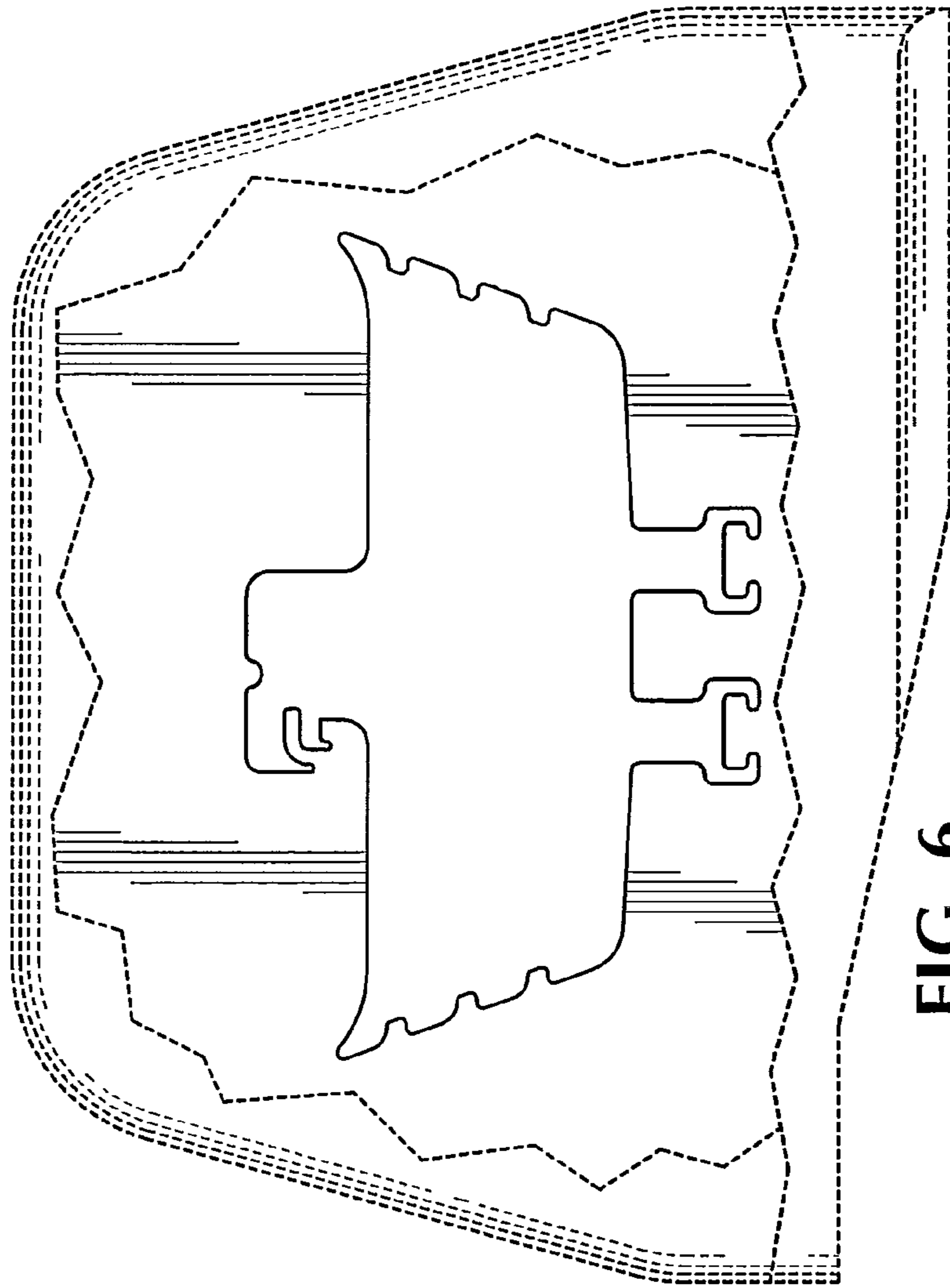


FIG. 6