



US00D709415S

(12) **United States Design Patent**  
**Mays et al.**

(10) **Patent No.:** **US D709,415 S**  
(45) **Date of Patent:** **\*\* Jul. 22, 2014**

(54) **VEHICLE MIRROR**

(71) Applicant: **Ford Motor Company**, Dearborn, MI (US)

(72) Inventors: **J C. Mays**, Bloomfield Hills, MI (US);  
**Moray S. Callum**, Ann Arbor, MI (US);  
**Joel Piaskowski**, Brighton (AU);  
**Darrell Behmer**, Novi, MI (US); **Kemal Curic**, West Bloomfield, MI (US)

(73) Assignee: **Ford Motor Company**, Dearborn, MI (US)

(\*\*) Term: **14 Years**

(21) Appl. No.: **29/476,656**

(22) Filed: **Dec. 16, 2013**

**Related U.S. Application Data**

(63) Continuation of application No. 29/469,983, filed on Oct. 16, 2013.

(51) **LOC (10) Cl.** ..... **12-16**

(52) **U.S. Cl.**  
USPC ..... **D12/187**

(58) **Field of Classification Search**  
USPC ..... D12/187, 188-189; D6/300, 309;  
359/838, 841, 842, 843, 844, 868, 871,  
359/604, 881, 514, 866; 248/479-483,  
248/475.1

See application file for complete search history.

(56) **References Cited**

U.S. PATENT DOCUMENTS

D654,003	S	*	2/2012	Kuo	.....	D12/187
D661,634	S	*	6/2012	Huet	.....	D12/187
D686,956	S	*	7/2013	Fetherston et al.	.....	D12/187
D691,934	S	*	10/2013	Zhao	.....	D12/187
D699,652	S	*	2/2014	Futschik et al.	.....	D12/187

\* cited by examiner

*Primary Examiner* — Katrina A Betton

(74) *Attorney, Agent, or Firm* — Damian Porcari

(57) **CLAIM**

The ornamental design for a vehicle mirror, as shown and described.

**DESCRIPTION**

FIG. 1 is a left side elevational view of a left vehicle mirror (the right vehicle mirror being a mirror image and is not shown);

FIG. 2 is a right side elevational view thereof;

FIG. 3 is a front elevational view thereof;

FIG. 4 is a rear elevational view thereof;

FIG. 5 is a top plan view thereof;

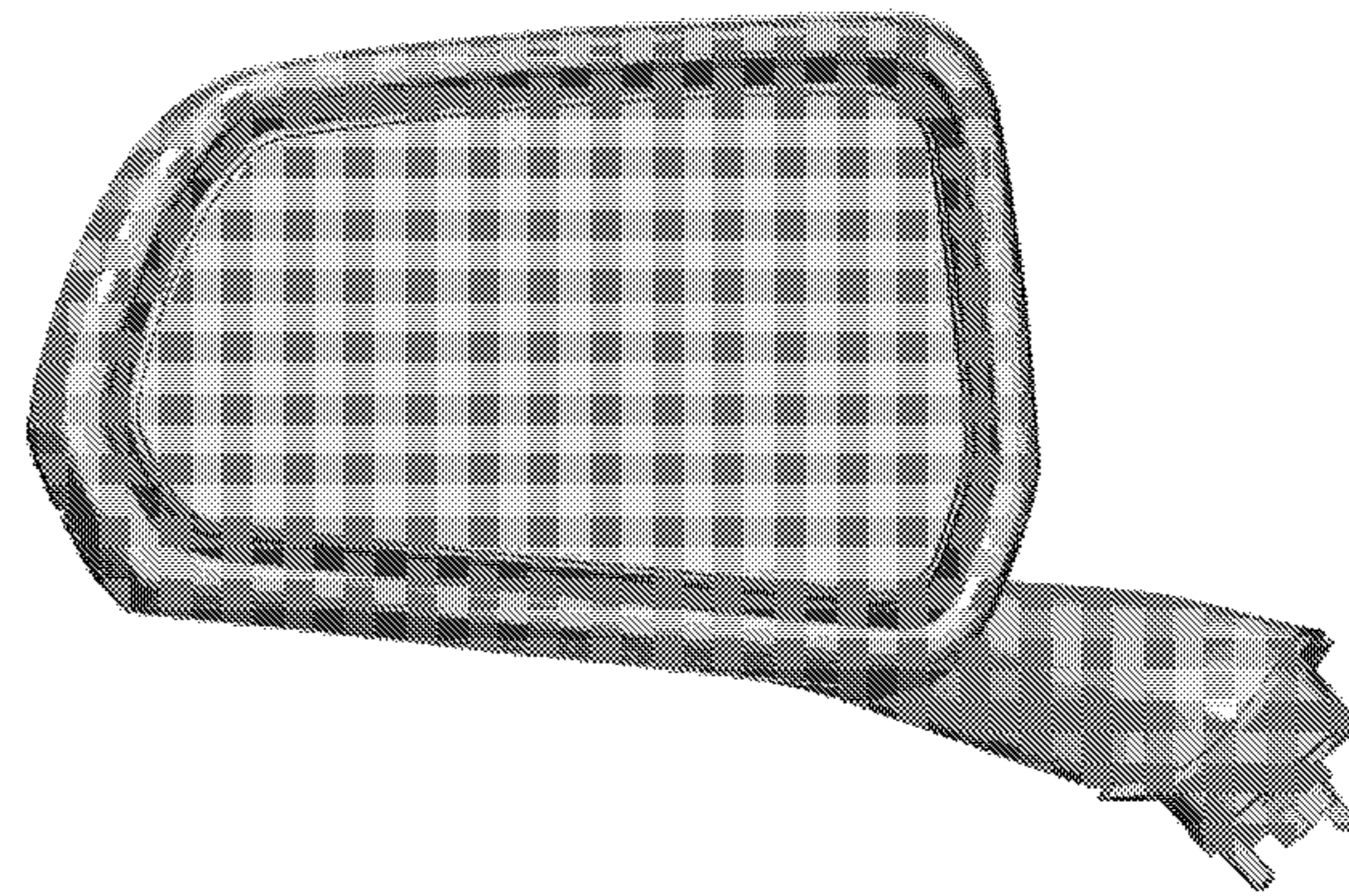
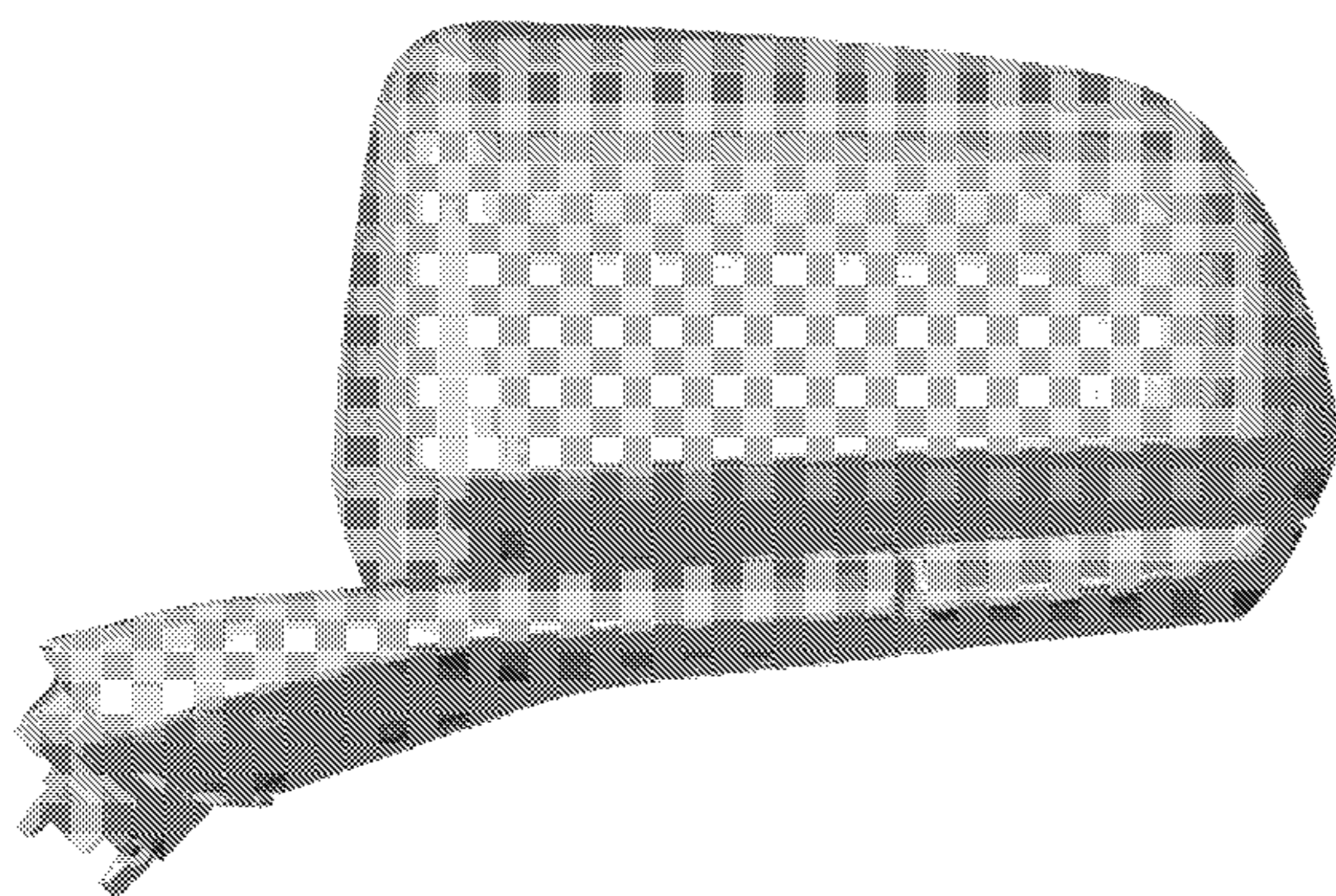
FIG. 6 is a bottom plan view thereof;

FIG. 7 is a perspective view thereof; and,

FIG. 8 is another perspective view thereof.

The second embodiment is a mirror image of the left vehicle mirror as shown in FIGS. 1-8.

**1 Claim, 8 Drawing Sheets**



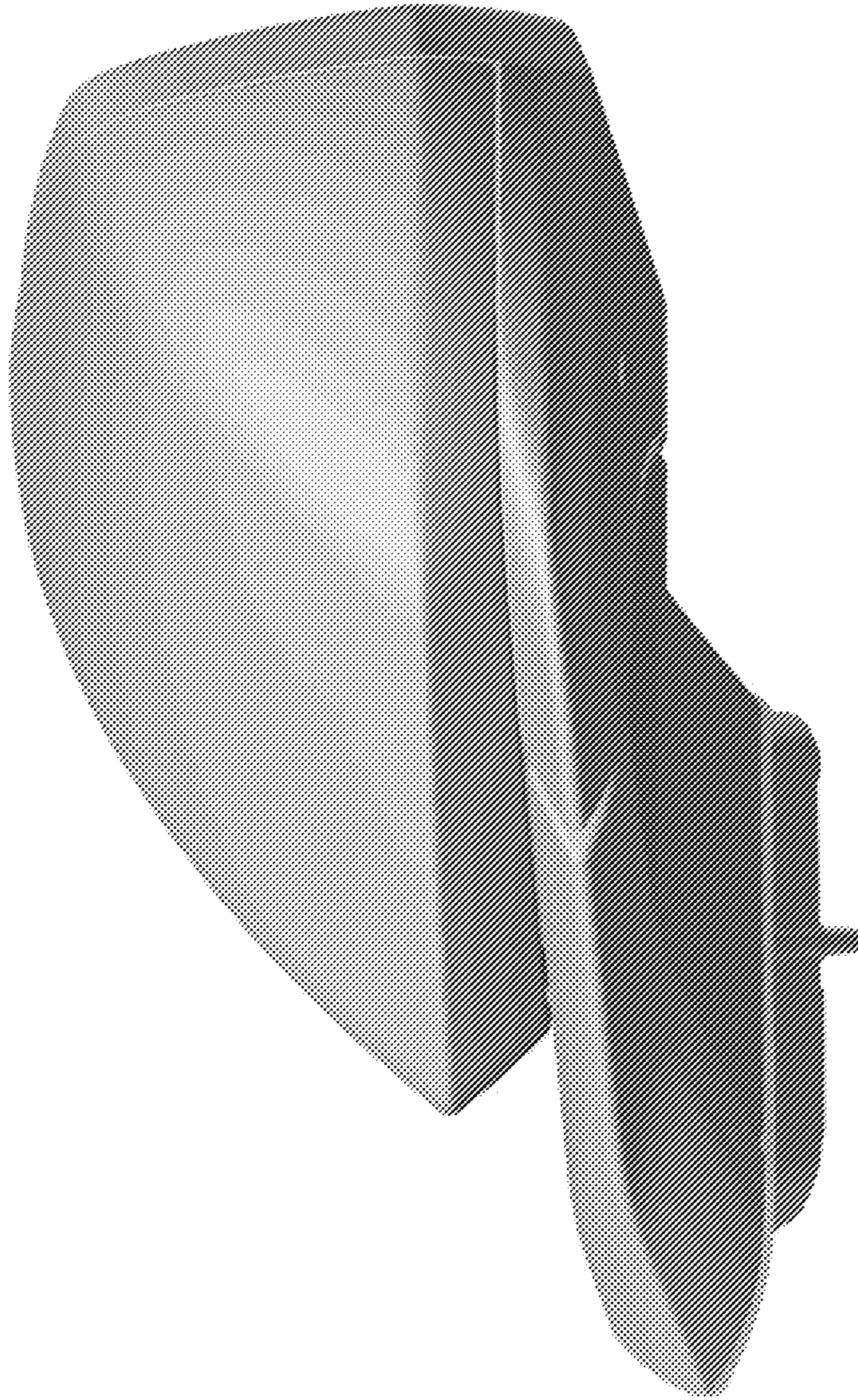


Figure 1

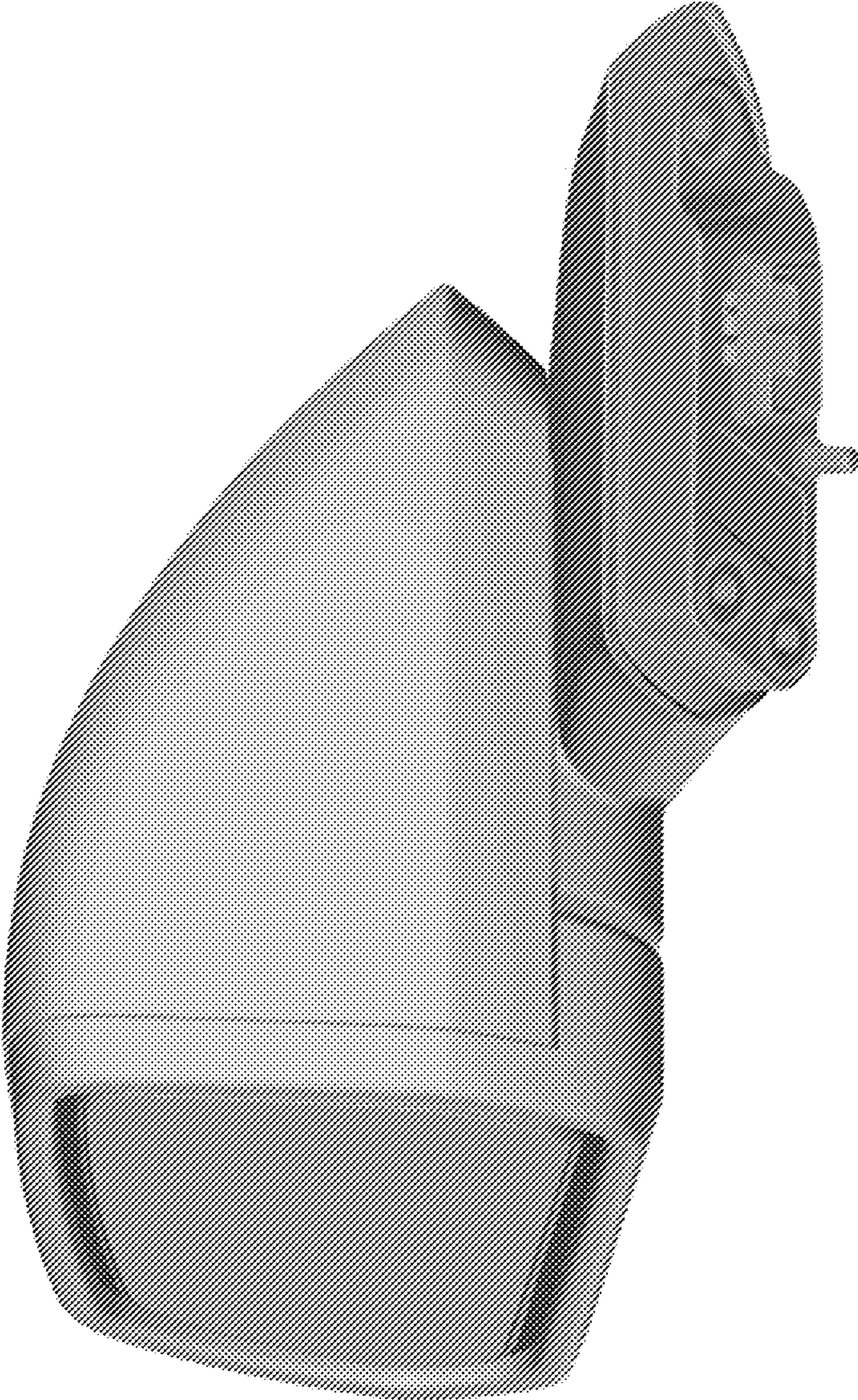


Figure 2



Figure 3

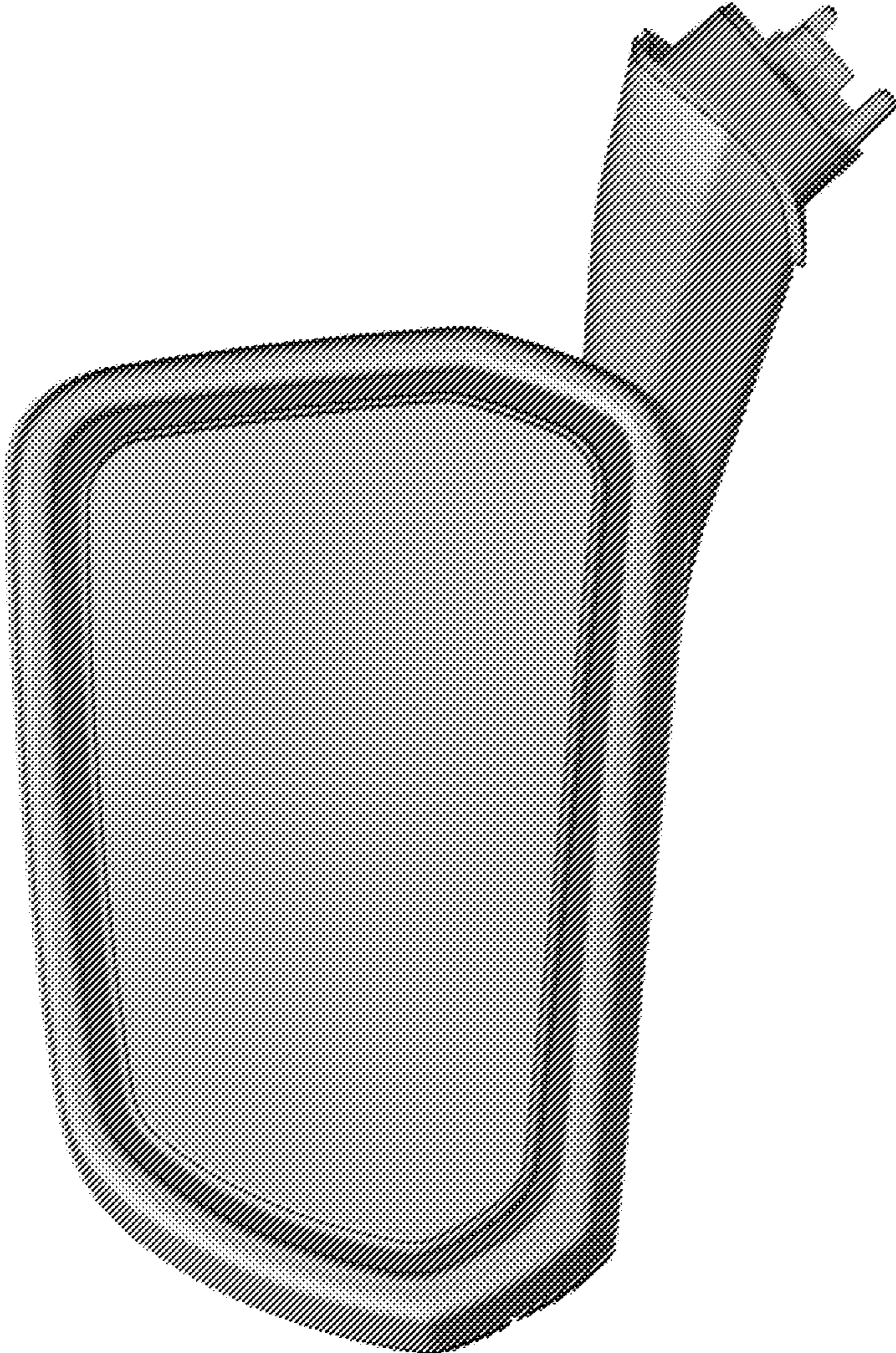


Figure 4

Figure 5

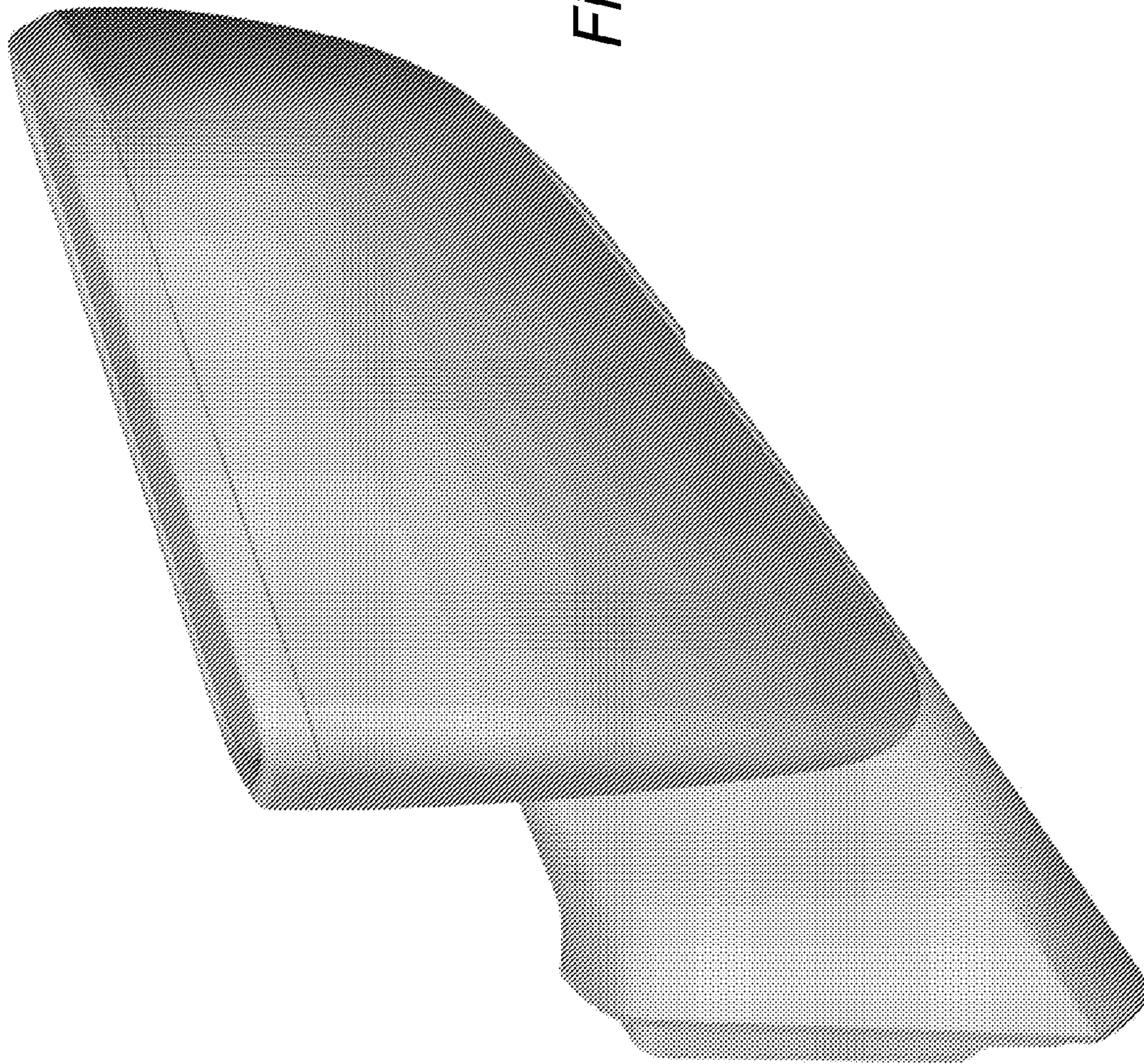
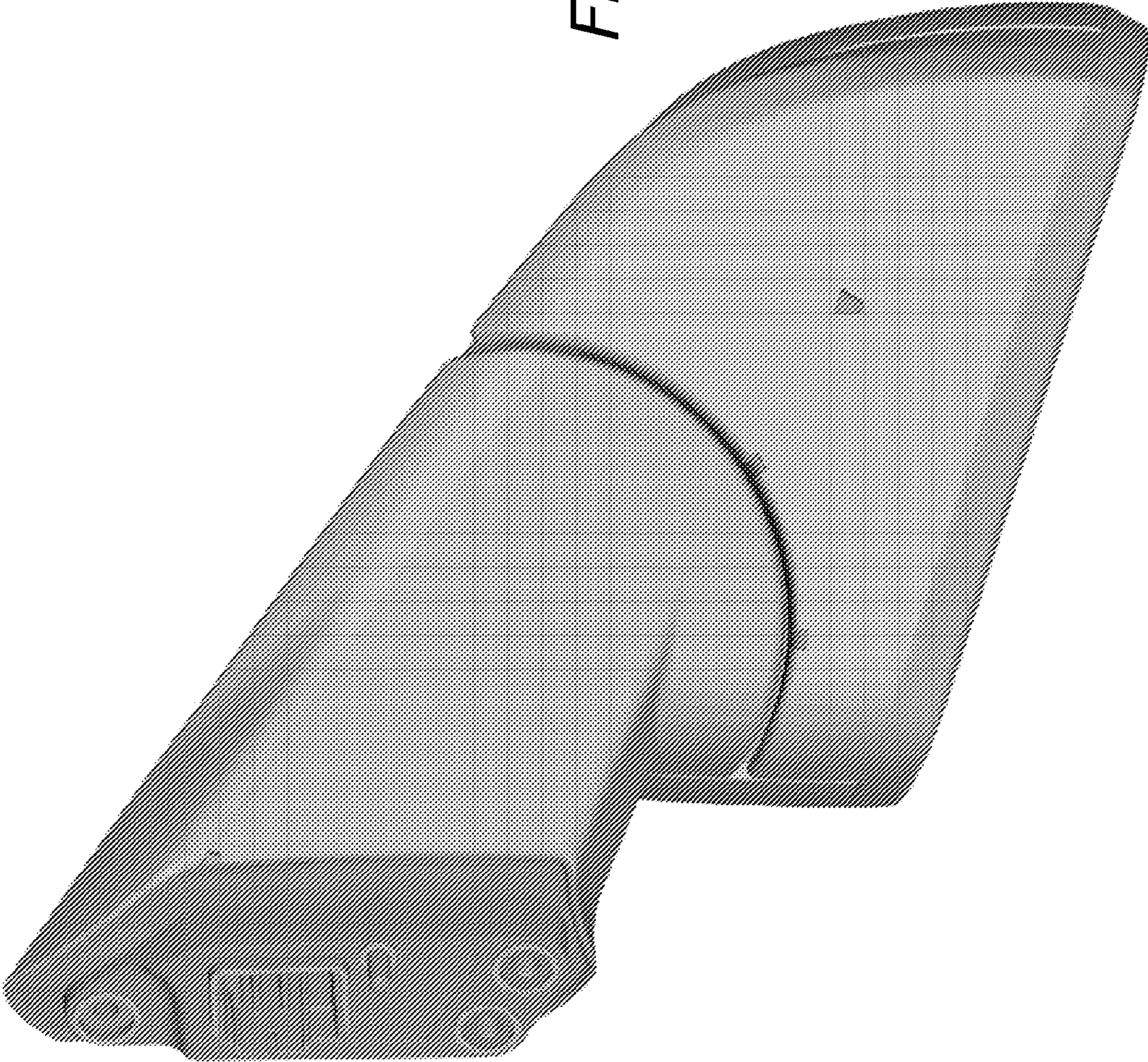


Figure 6



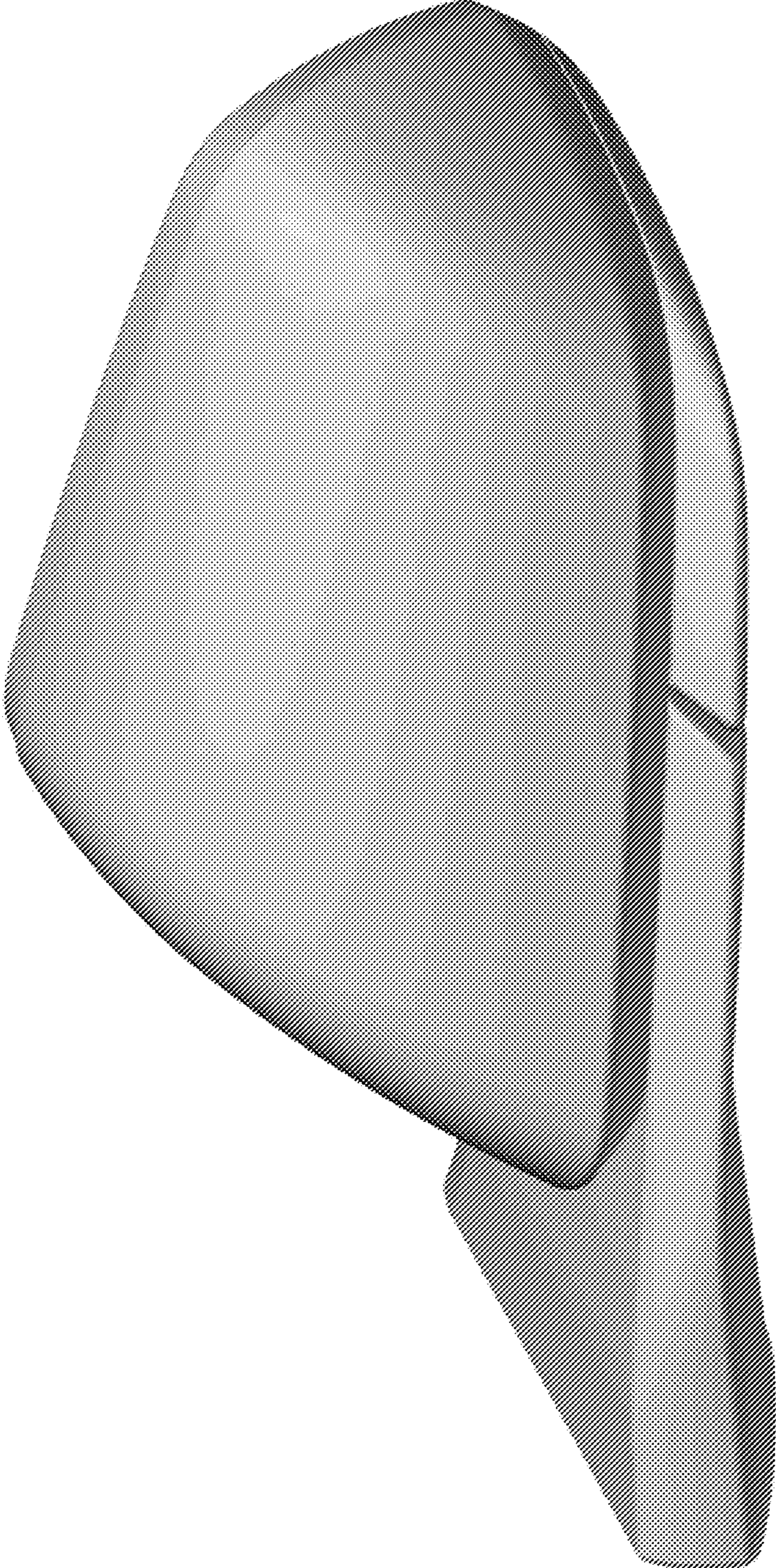


Figure 7





Figure 8