



US00D709414S

(12) **United States Design Patent**
Platto et al.

(10) **Patent No.:** **US D709,414 S**
(45) **Date of Patent:** **** Jul. 22, 2014**

(54) **VEHICLE MIRROR**

(71) Applicant: **Ford Motor Company**, Dearborn, MI (US)
(72) Inventors: **Gordon M. Platto**, Troy, MI (US); **Bradley A. Richards**, Bloomfield Hills, MI (US); **Moray S. Callum**, Ann Arbor, MI (US); **Joel Piaskowski**, Brighton (AU); **Richard Howard**, Brighton, MI (US)

(73) Assignee: **Ford Motor Company**, Dearborn, MI (US)

(**) Term: **14 Years**

(21) Appl. No.: **29/475,406**

(22) Filed: **Dec. 3, 2013**

(51) **LOC (10) Cl.** **12-16**

(52) **U.S. Cl.**
USPC **D12/187**

(58) **Field of Classification Search**
USPC D12/187, 188–189; D6/300, 309; 359/838, 841, 842, 843, 844, 868, 871, 359/604, 881, 514, 866; 248/479–483, 248/475.1

See application file for complete search history.

(56) **References Cited**

U.S. PATENT DOCUMENTS

D318,837	S	*	8/1991	Richardson et al.	D12/187
D575,708	S	*	8/2008	Courbon et al.	D12/187
D578,942	S	*	10/2008	Courbon et al.	D12/187
D610,060	S	*	2/2010	Meier et al.	D12/187
D610,513	S	*	2/2010	Meier et al.	D12/187
7,856,693	B1	*	12/2010	Johnson	15/250.003
D636,308	S	*	4/2011	Reimchen et al.	D12/187
D690,635	S	*	10/2013	Hovind et al.	D12/187
D696,170	S	*	12/2013	Ito et al.	D12/187
D699,653	S	*	2/2014	Markstaller et al.	D12/187

* cited by examiner

Primary Examiner — Katrina A Betton

(74) *Attorney, Agent, or Firm* — Damian Porcari

(57) **CLAIM**

The ornamental design for a vehicle mirror, as shown and described.

DESCRIPTION

FIG. 1 is a left side elevational view of a left vehicle mirror (the right vehicle mirror being a mirror image and is not shown); FIG. 2 is a right side elevational view thereof; FIG. 3 is a front elevational view thereof; FIG. 4 is a rear elevational view thereof; FIG. 5 is a top plan view thereof; FIG. 6 is a bottom plan view thereof; FIG. 7 is a front perspective view thereof; and, FIG. 8 is a rear perspective view thereof. The second embodiment is a mirror image of the left vehicle mirror as shown in FIGS. 1-8

1 Claim, 8 Drawing Sheets

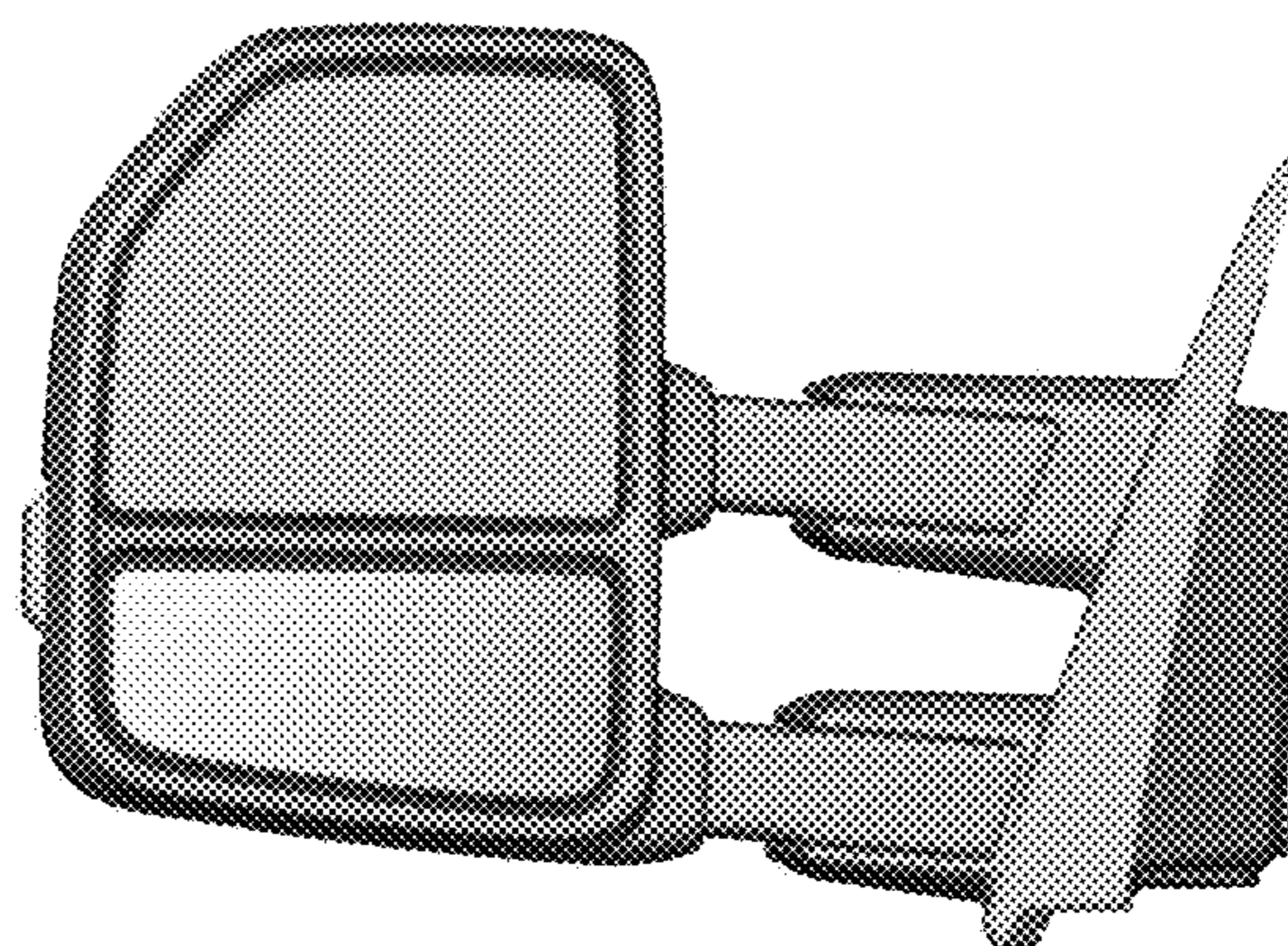
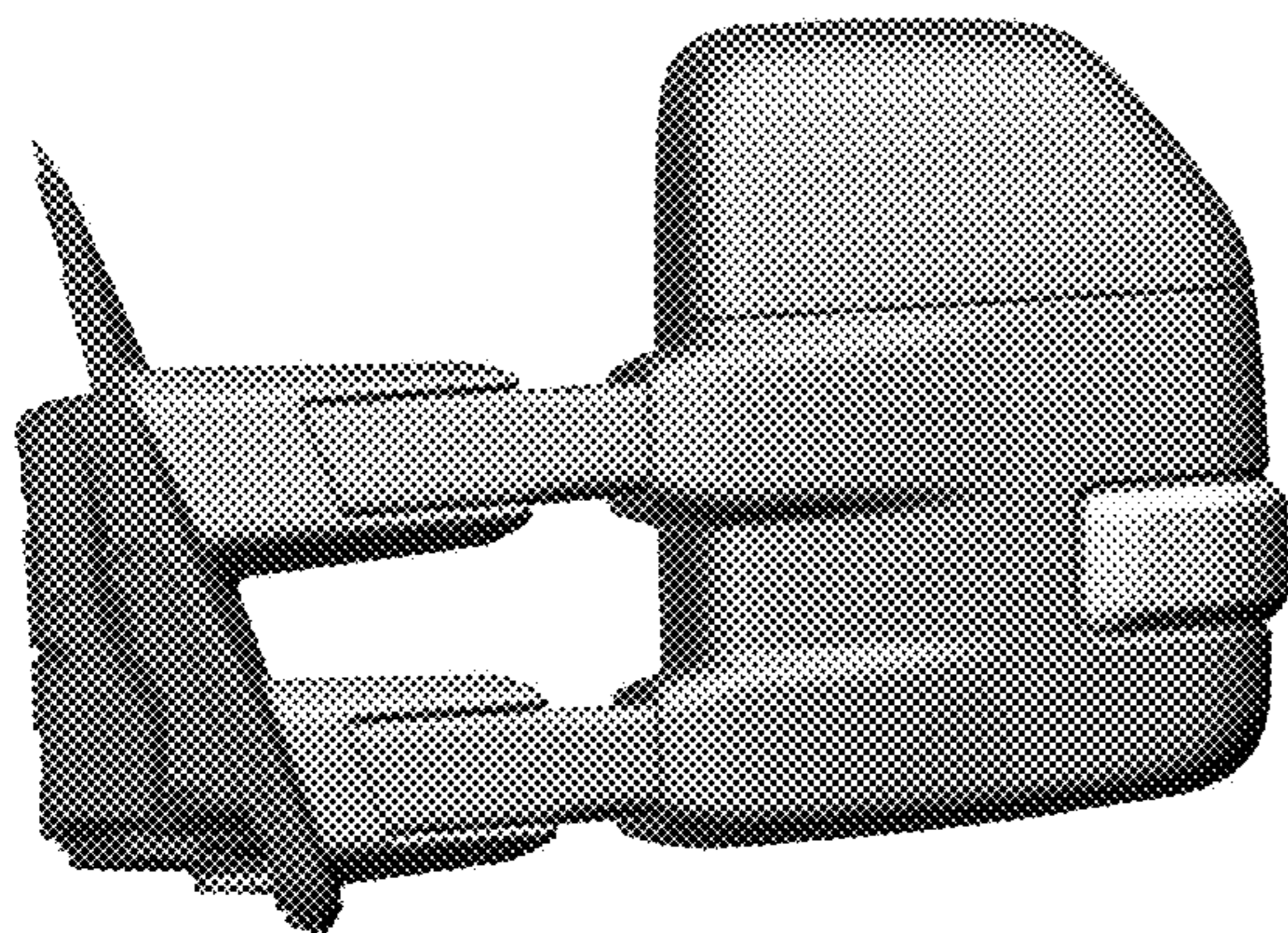




Figure 1



Figure 2



Figure 3

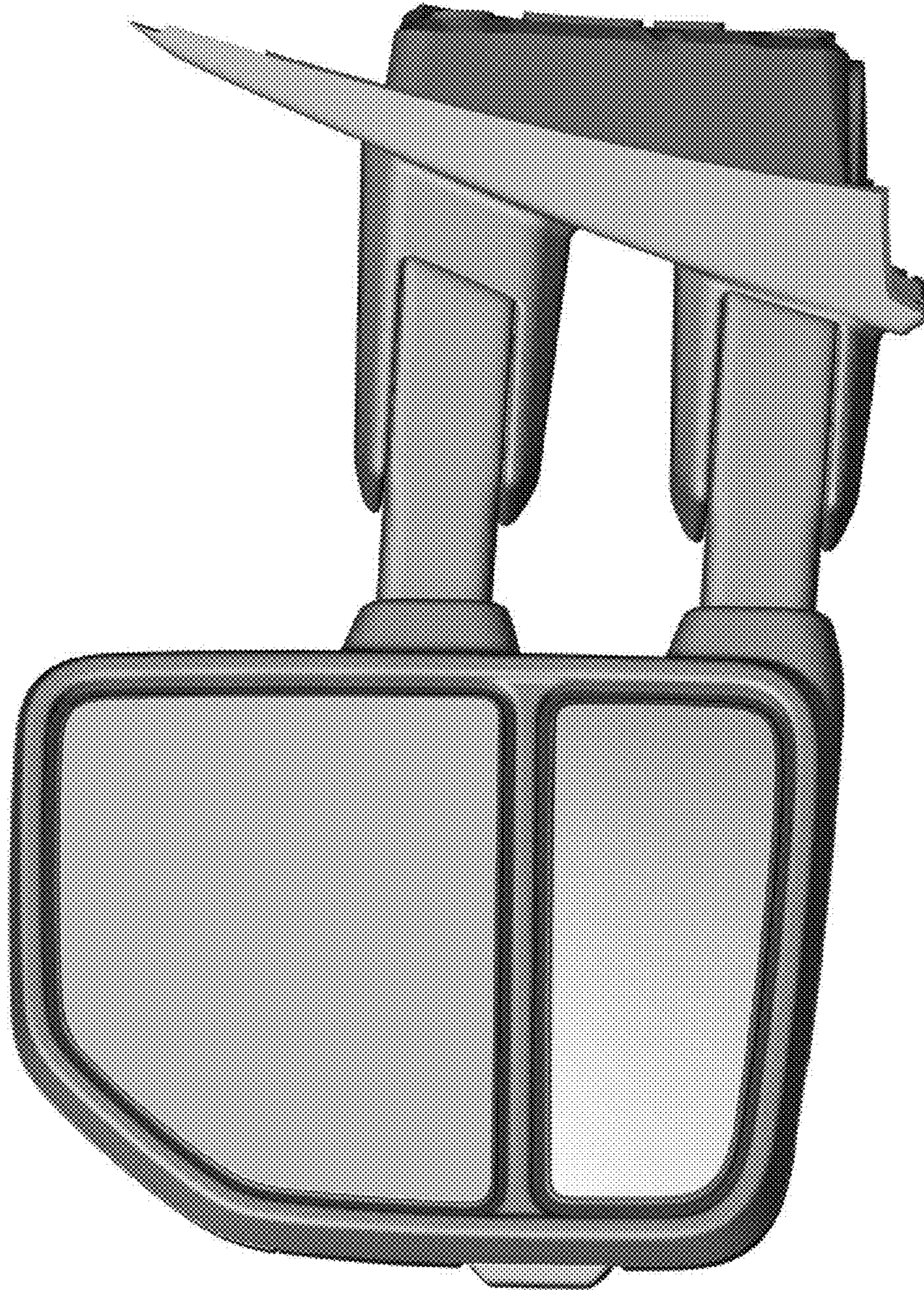


Figure 4

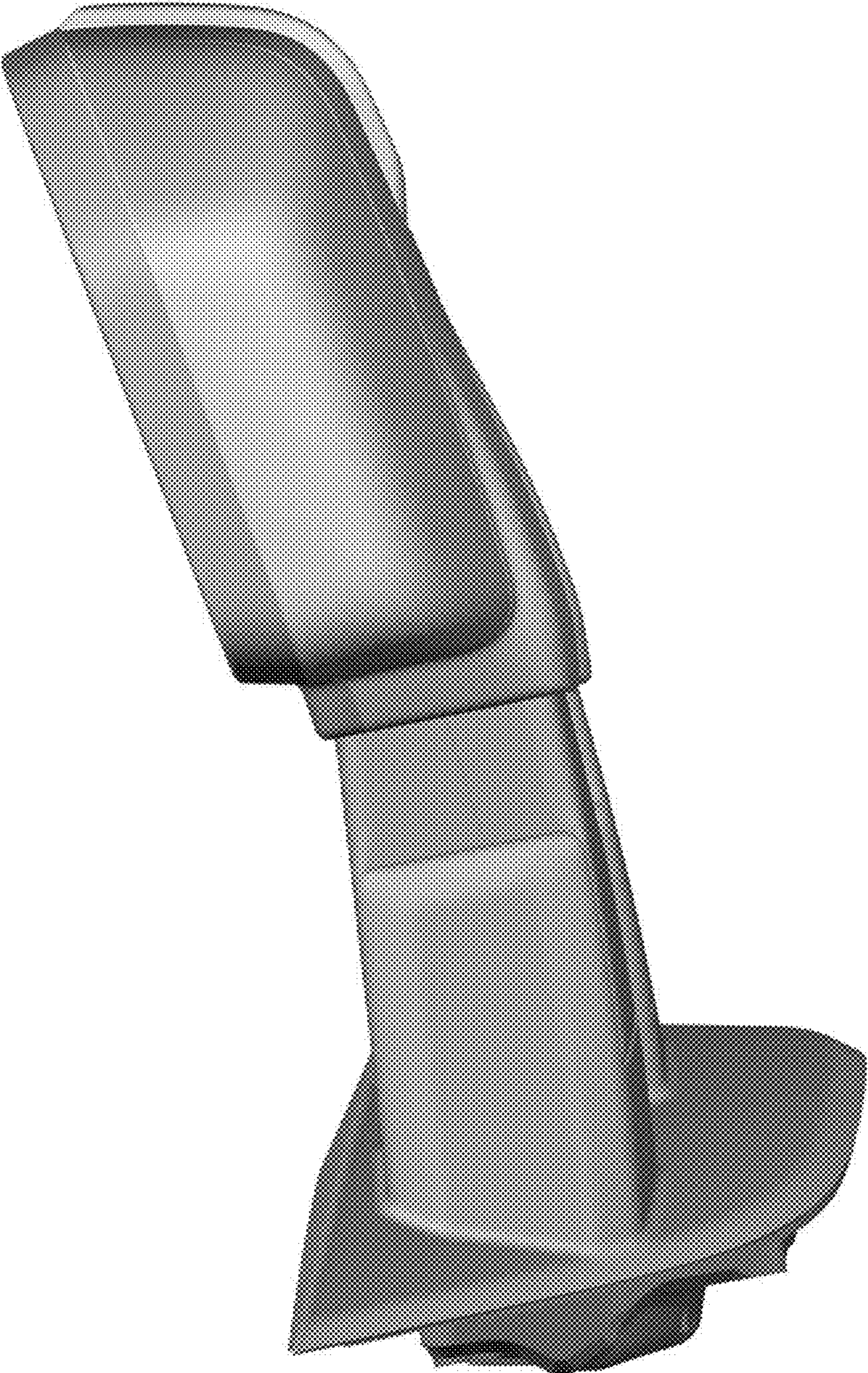


Figure 5



Figure 6

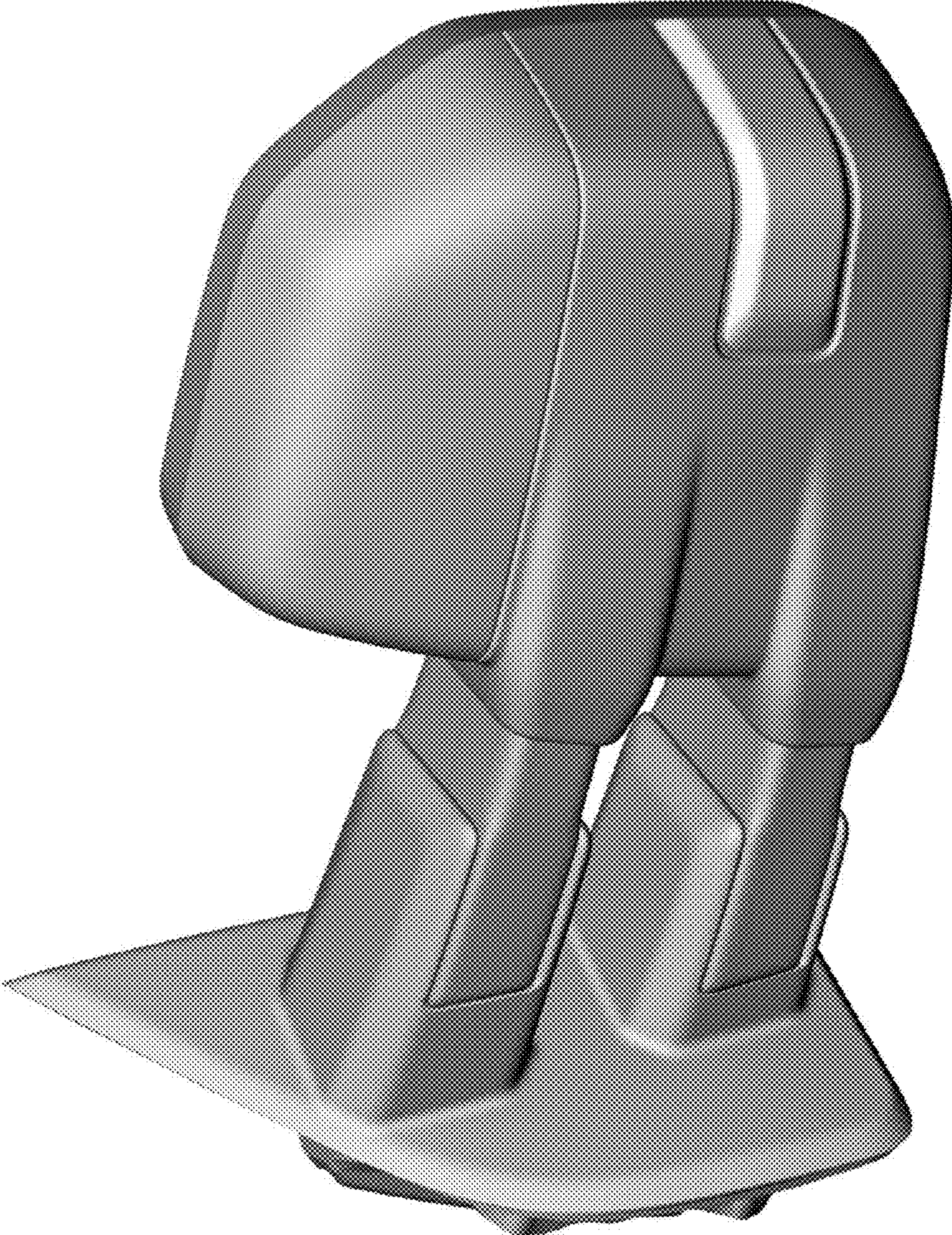


Figure 7

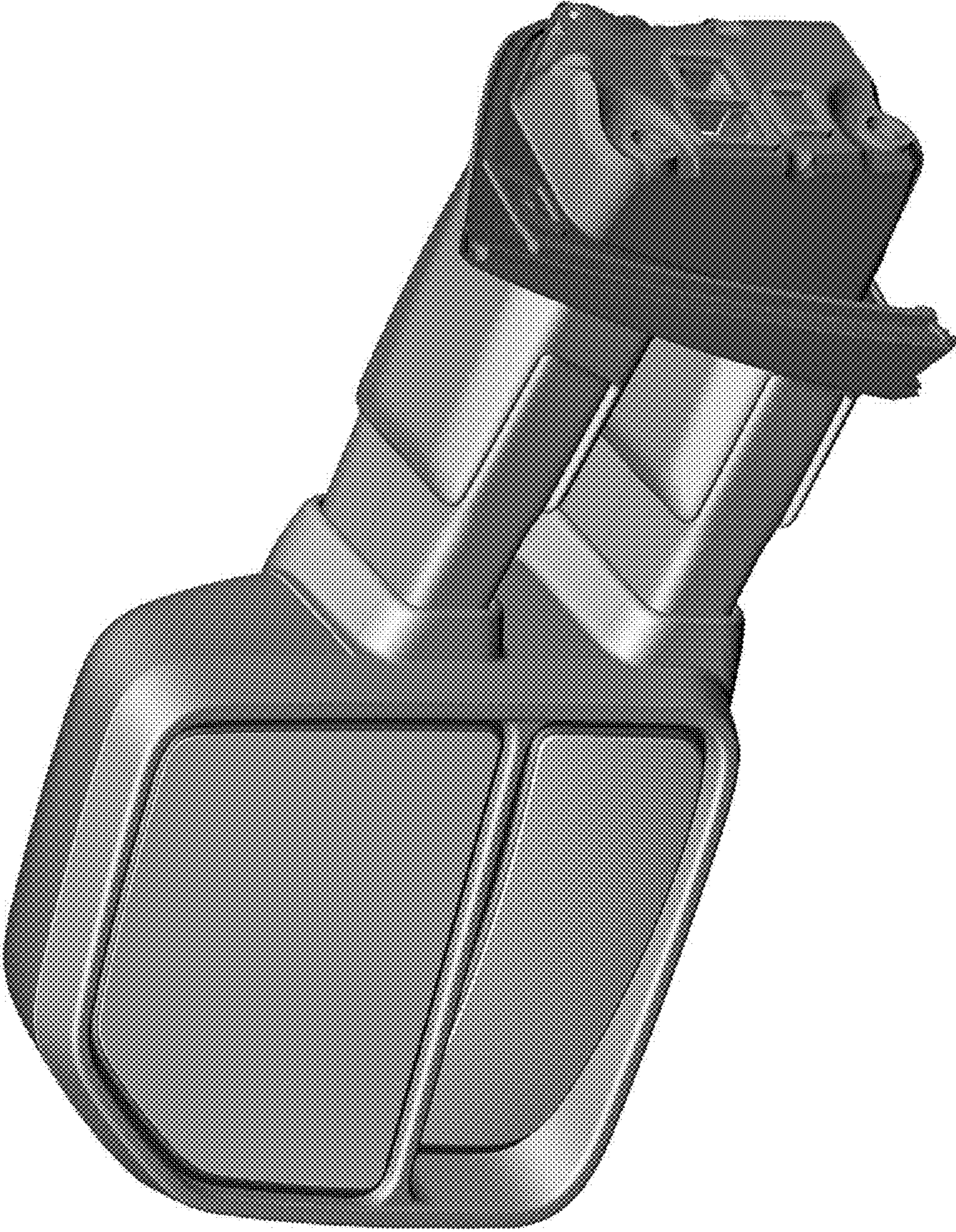


Figure 8