



US00D709404S

(12) **United States Design Patent**
Nicolay et al.

(10) **Patent No.:** **US D709,404 S**
(45) **Date of Patent:** **** Jul. 22, 2014**

(54) **PLANT CONTAINER STABILIZER**
(75) Inventors: **Kenneth M. Nicolay**, Fairway, KS (US);
Lawrence E. Guerra, Mission, KS (US)

5,806,241 A 9/1998 Byland et al.
5,983,566 A 11/1999 Enderlein et al.
6,691,460 B1 2/2004 Lee
2008/0078774 A1 4/2008 Hilbert
2010/0170154 A1 7/2010 Ahn

(73) Assignee: **Nicolay Family Enterprises, L.L.C.**,
Fairway, KS (US)

FOREIGN PATENT DOCUMENTS

(**) Term: **14 Years**

FR 2555034 5/1985
FR 2655829 6/1991
FR 2807304 10/2001

(21) Appl. No.: **29/406,969**

* cited by examiner

(22) Filed: **Nov. 21, 2011**

Primary Examiner — T. Chase Nelson

(51) **LOC (10) Cl.** **11-02**

Assistant Examiner — Michelle E Wilson

(52) **U.S. Cl.**
USPC **D11/164**

(74) *Attorney, Agent, or Firm* — Erickson, Kernell,
Derousseau & Kleypas, LLC

(58) **Field of Classification Search**
USPC D7/6, 14, 15; D9/220, 140, 150, 154,
D9/216, 243, 248; 229/1.5 B, 3.5 R;
D11/130.1, 143, 152; 47/40.5, 66-81;
248/519, 527

(57) **CLAIM**
The ornamental design for a plant container stabilizer, as
shown and described.

See application file for complete search history.

DESCRIPTION

(56) **References Cited**

FIG. 1 is a perspective view of a plant container stabilizer of
the present invention;
FIG. 2 is a top plan view thereof;
FIG. 3 is a right side view thereof, the left side being a mirror
image;
FIG. 4 is a front view thereof;
FIG. 5 is a bottom plan view thereof; and,
FIG. 6 is a rear view thereof.
The broken lines depict portions of the plant container stabi-
lizer that form no part of the claimed design.

U.S. PATENT DOCUMENTS

267,296 A 11/1882 Wilder
2,044,192 A * 6/1936 Templin, Jr. 47/40.5
4,083,146 A 4/1978 Brankovic
D255,339 S * 6/1980 Christian D11/152
4,571,881 A * 2/1986 Lathim 47/40.5
5,086,583 A 2/1992 Breen
5,125,184 A 6/1992 Anderson
5,279,070 A 1/1994 Shreckhise et al.
D364,831 S * 12/1995 Fillipp D11/130.1
5,779,215 A 7/1998 DeMasi

1 Claim, 3 Drawing Sheets

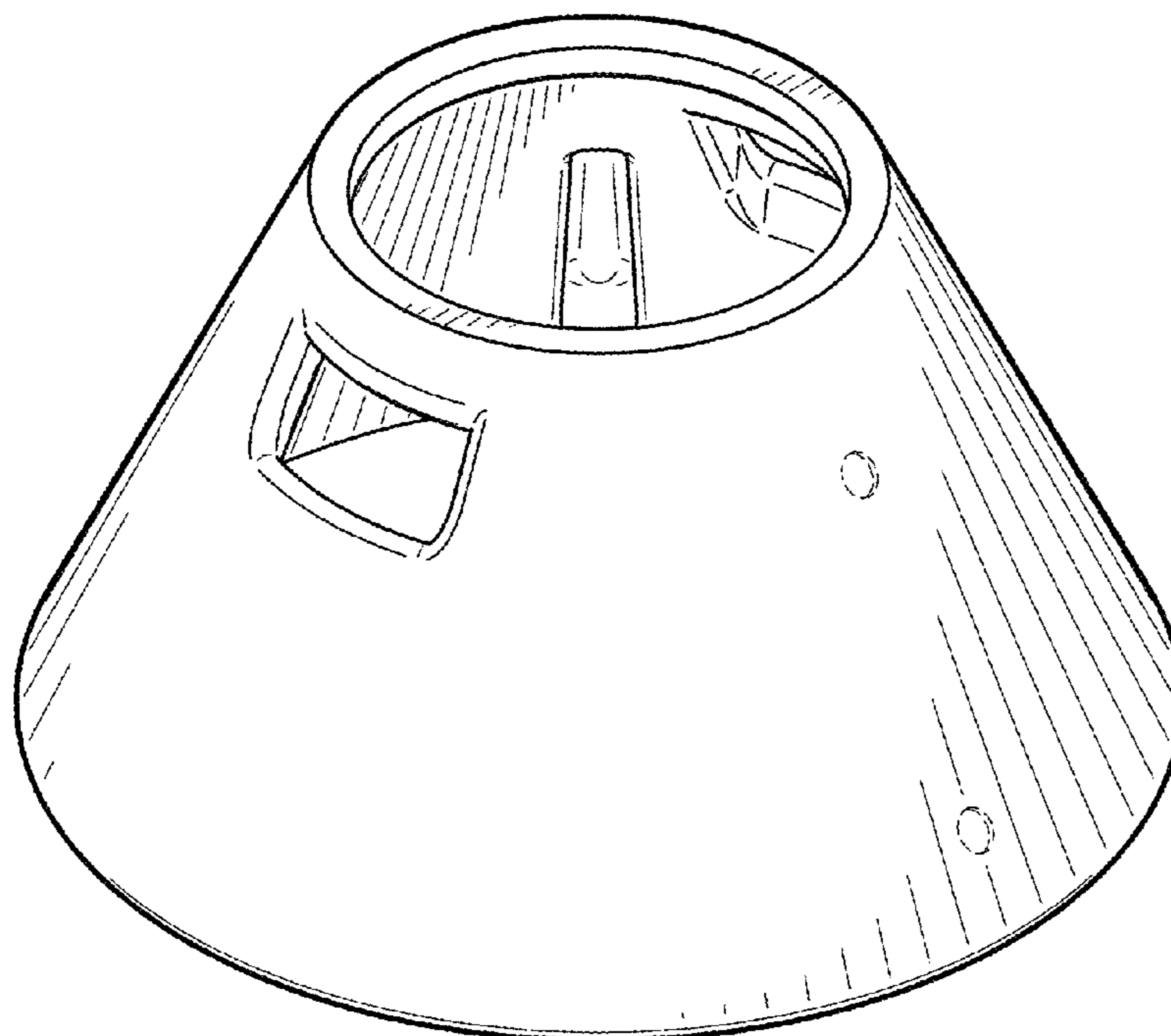


Fig. 1

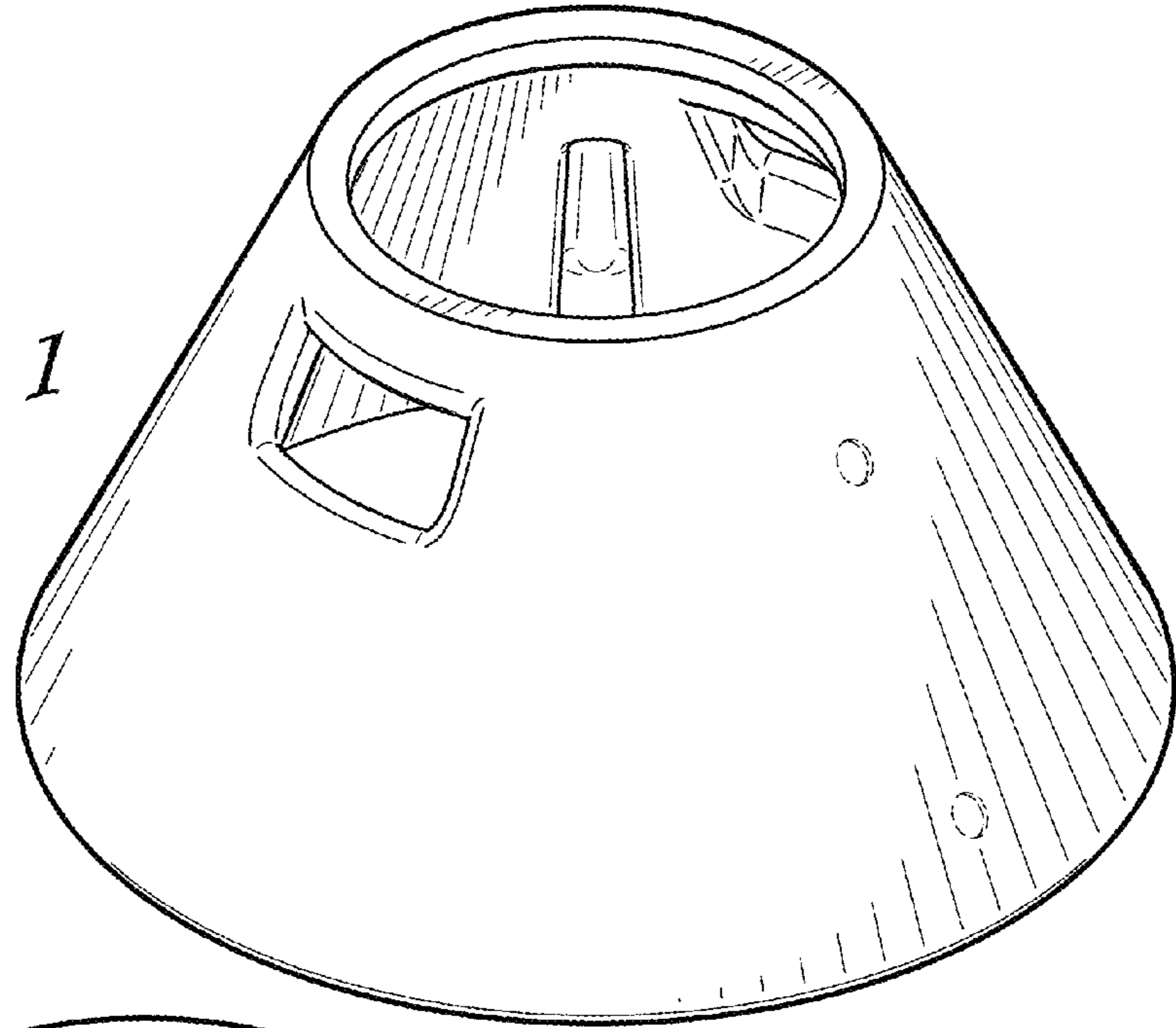
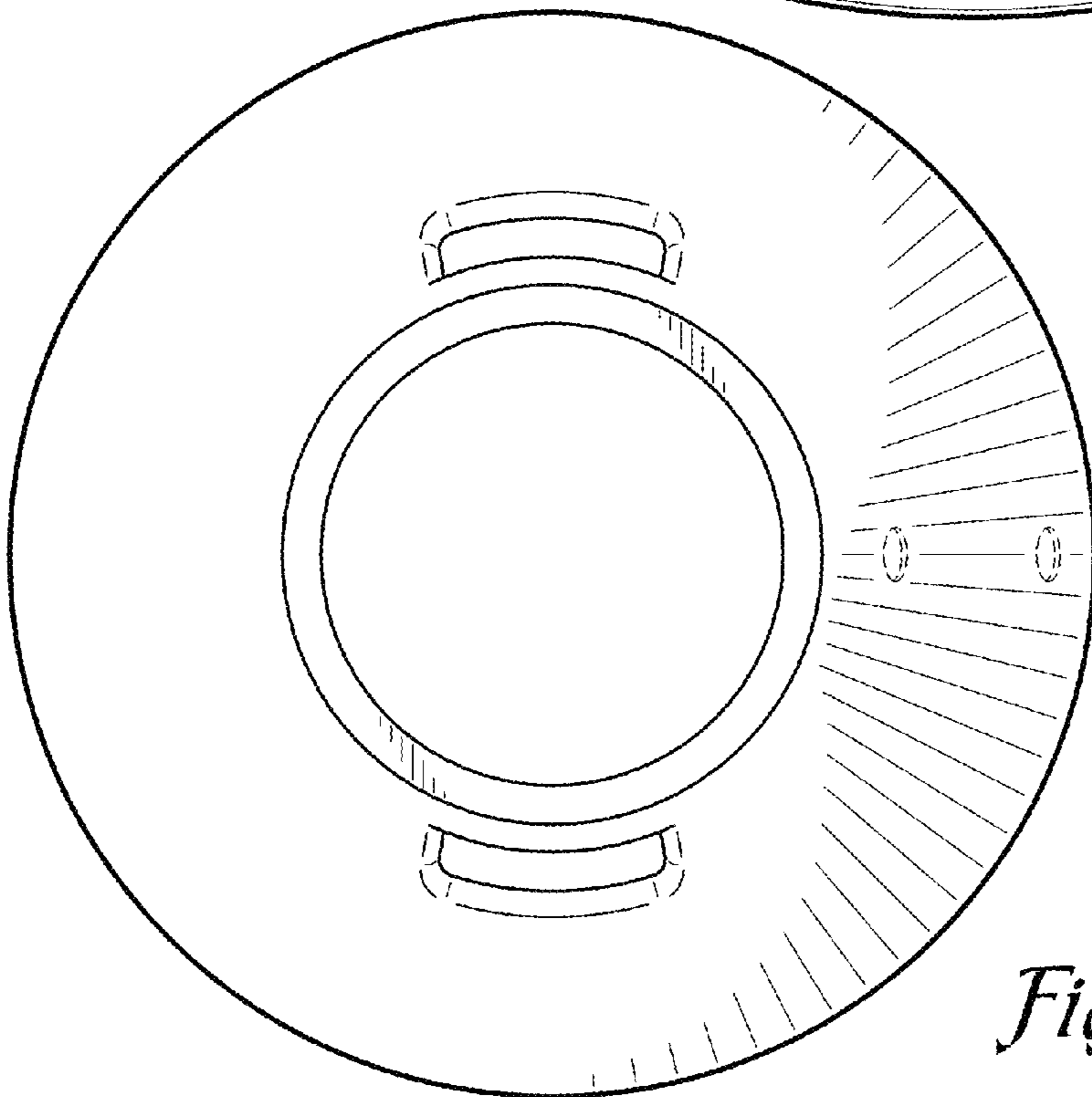


Fig. 2



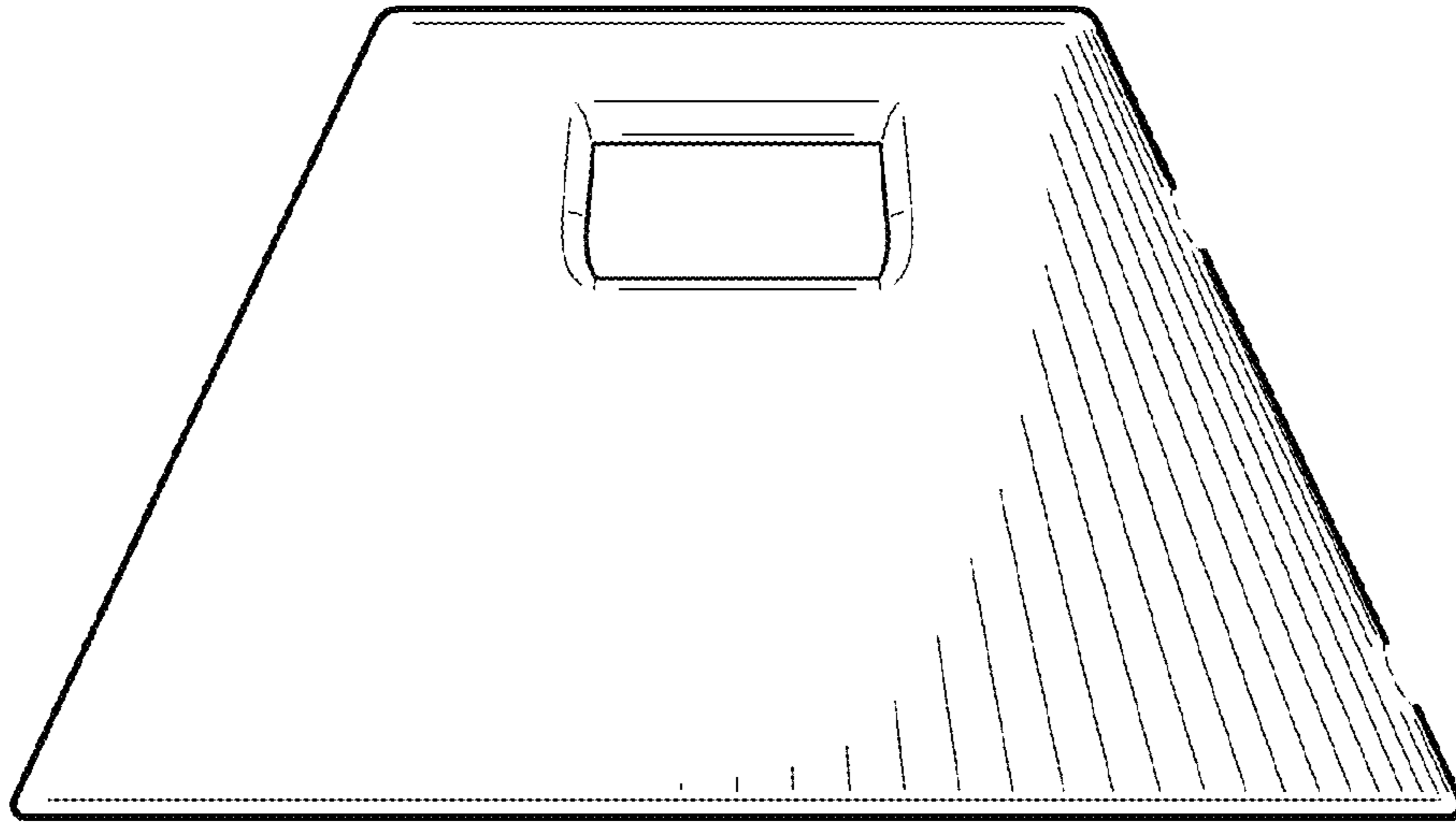


Fig. 3

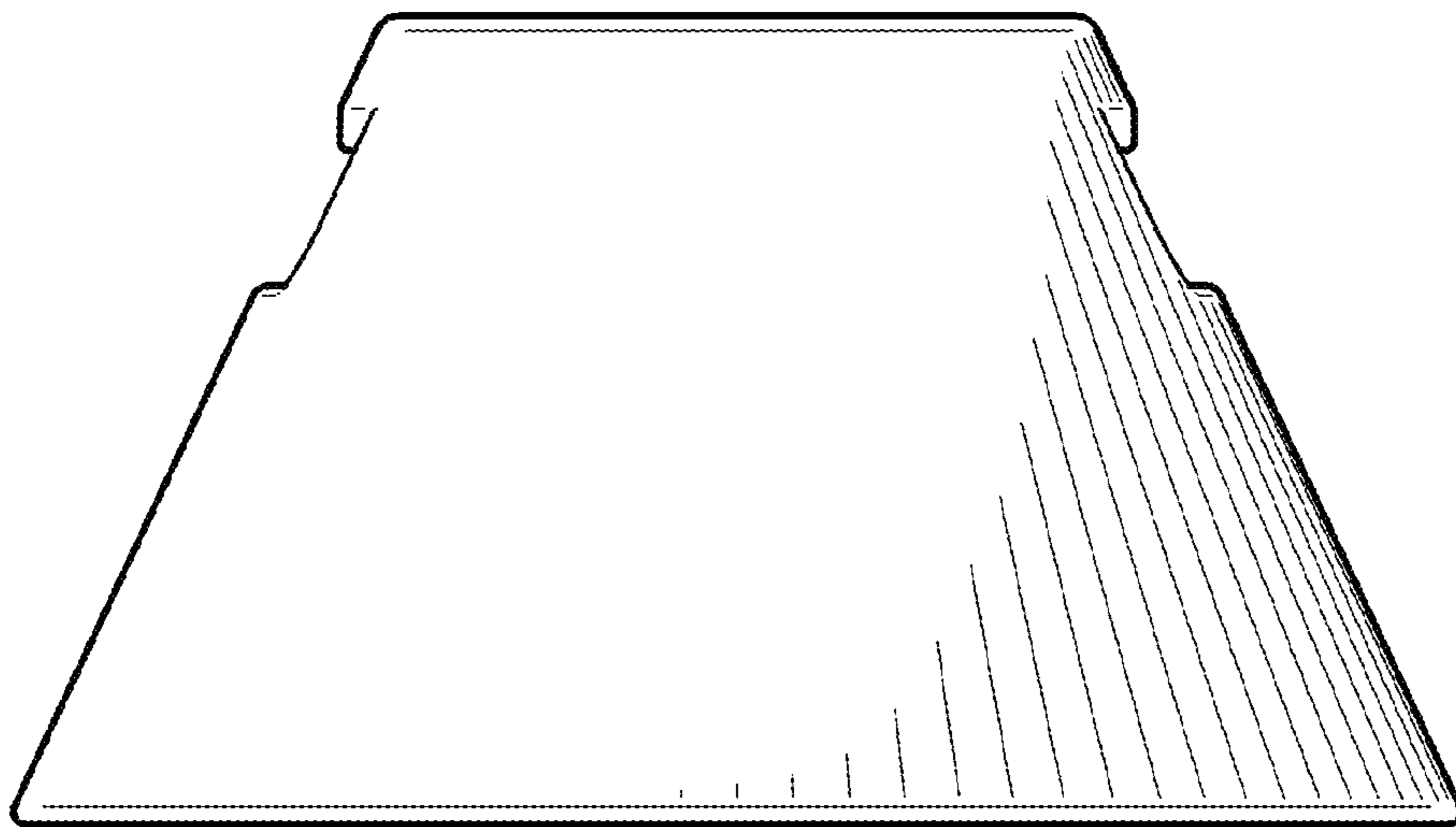


Fig. 4

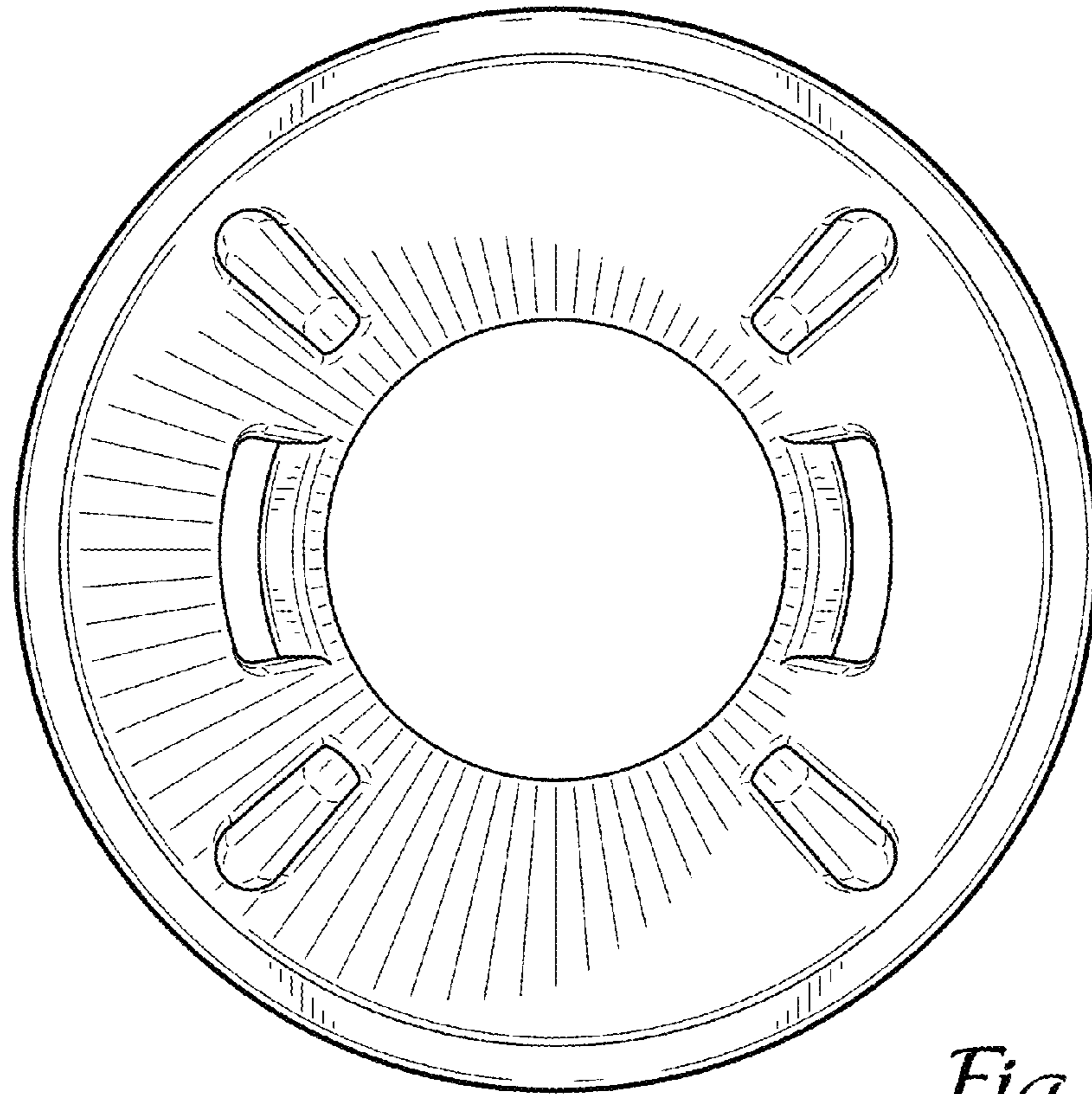


Fig. 5

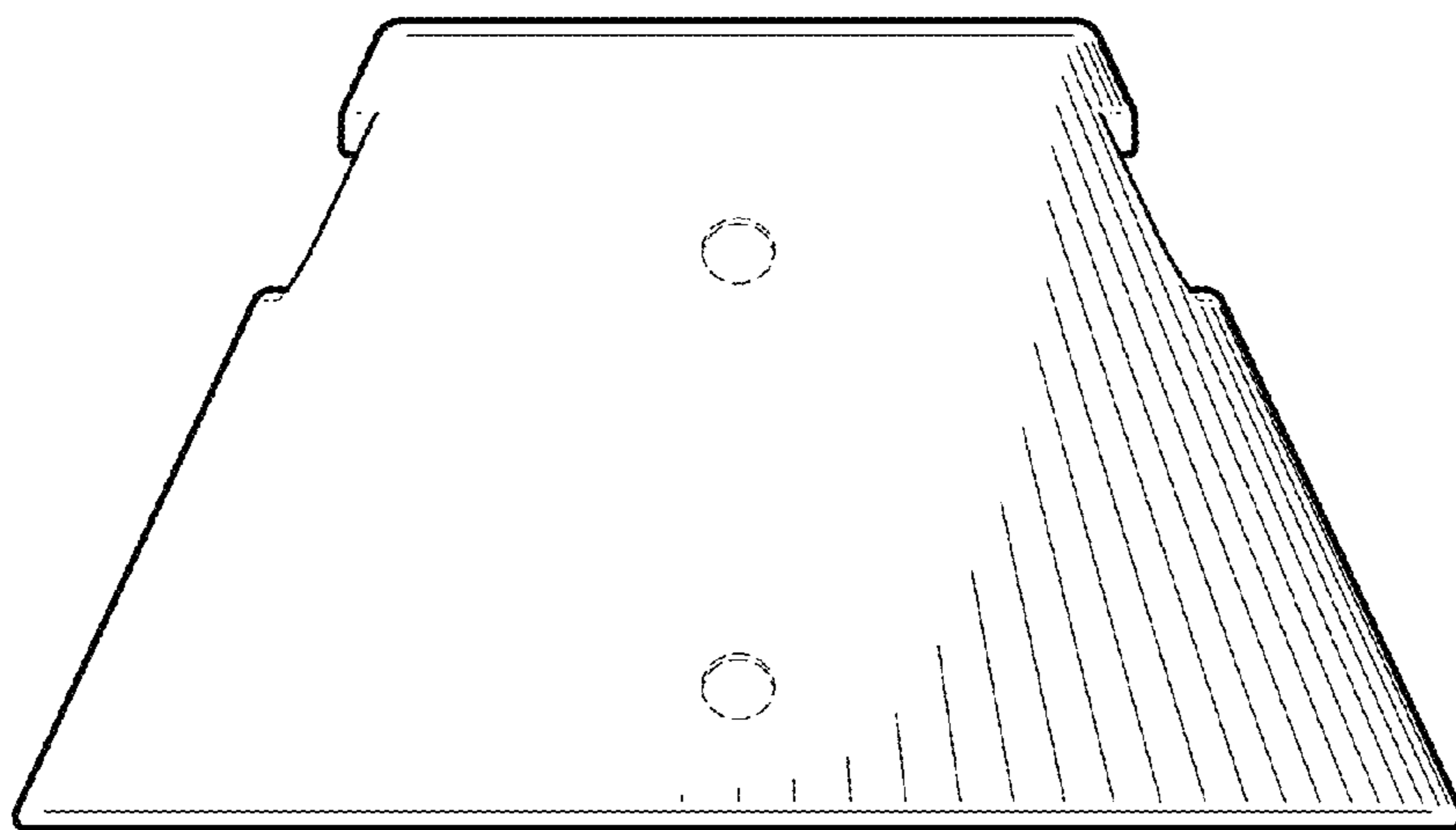


Fig. 6