



US00D709402S

(12) **United States Design Patent**
Wang

(10) **Patent No.:** **US D709,402 S**
(45) **Date of Patent:** **** Jul. 22, 2014**

- (54) **SPIKY HEART SHAPED RING**
- (71) Applicant: **Connie Wang**, Irvine, CA (US)
- (72) Inventor: **Connie Wang**, Irvine, CA (US)
- (**) Term: **14 Years**
- (21) Appl. No.: **29/481,223**
- (22) Filed: **Feb. 3, 2014**
- (51) **LOC (10) Cl.** **11-01**
- (52) **U.S. Cl.**
USPC **D11/30; D11/56**
- (58) **Field of Classification Search**
CPC A44C 9/00; A44C 9/0007; A44C 9/0015;
A44C 9/0038; A44C 9/0046; A44C 9/0053;
A44C 9/0061; A44C 9/0069; A44C 9/0076;
A44C 9/02; A44C 1/00; A44C 25/007
USPC D11/1, 2, 7, 8, 43, 44, 47, 48, 56,
D11/79-86, 103, 26-39; 63/18, 19, 20, 15,
63/15.1-15.4, 15.45, 15.5, 15.6, 15.65,
63/15.7; D3/211; D8/347
See application file for complete search history.

- D427,105 S * 6/2000 Ferreira D11/26
- D435,939 S * 1/2001 Thorpe et al. D28/77
- D567,698 S * 4/2008 Gruosi-Scheufele D11/26

OTHER PUBLICATIONS

- [Online] <http://www.shanalogic.com/double-row-spiked-heart-necklace.html>.*
- [Online] https://www.etsy.com/listing/113264248/sale-black-rose-adjustable-silver-ring?ref=sr_gallery_21&ga_search_query=spikey+ring&ga_ship_to=US&ga_search_type=all&ga_view_type=gallery.*
- [Online] https://www.etsy.com/listing/120797678/micro-rhine-stone-and-metal-spike-heart?ref=sr_gallery_7&ga_search_query=heart+ring+spikes&ga_order=most_relevant&ga_ship_to=US&ga_search_type=all&ga_view_type=gallery.*

* cited by examiner

Primary Examiner — Garth Rademaker
Assistant Examiner — Melanie Pellegrini
(74) *Attorney, Agent, or Firm* — Bacon & Thomas, PLLC

(57) **CLAIM**

The ornamental design for a spiky heart shaped ring, as shown and described.

DESCRIPTION

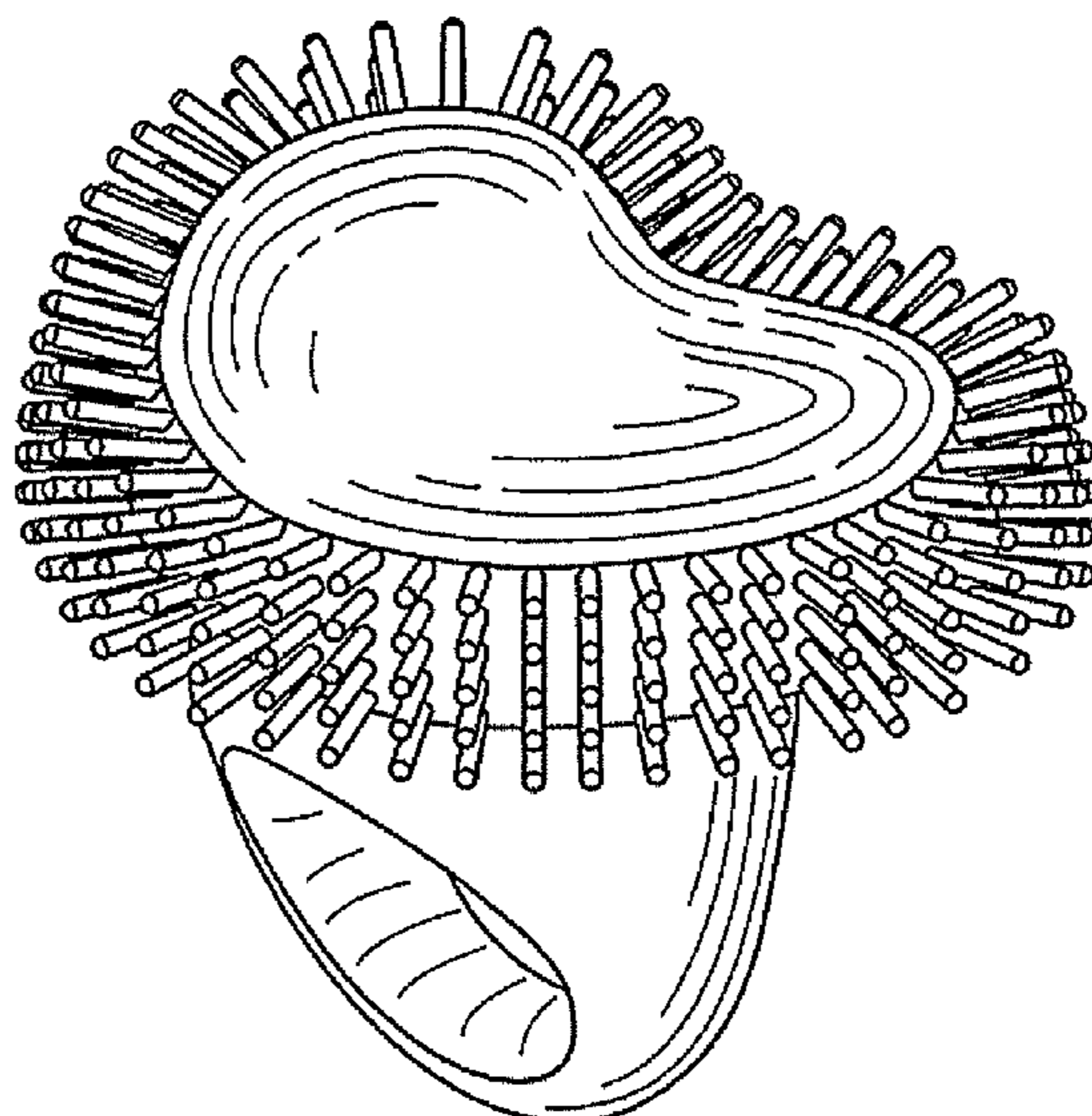
FIG. 1 is a perspective view of a spiky heart shaped ring showing my new design;
FIG. 2 is a front elevational view thereof;
FIG. 3 is a rear elevational view thereof;
FIG. 4 is a left side elevational view thereof;
FIG. 5 is a right side elevational view thereof;
FIG. 6 is a top plan view thereof; and,
FIG. 7 is a bottom plan view thereof.

1 Claim, 4 Drawing Sheets

(56) **References Cited**

U.S. PATENT DOCUMENTS

- D36,094 S * 10/1902 Such D11/56
- D48,232 S * 11/1915 Rosenberger D11/32
- D51,068 S * 7/1917 Jacobs D11/28
- D145,273 S * 7/1946 Philippe D11/56
- D146,524 S * 3/1947 Robbins D11/32
- D169,209 S * 3/1953 Philippe D11/77
- 4,236,384 A * 12/1980 Daub 63/7
- D348,626 S * 7/1994 Bedoyan D11/32



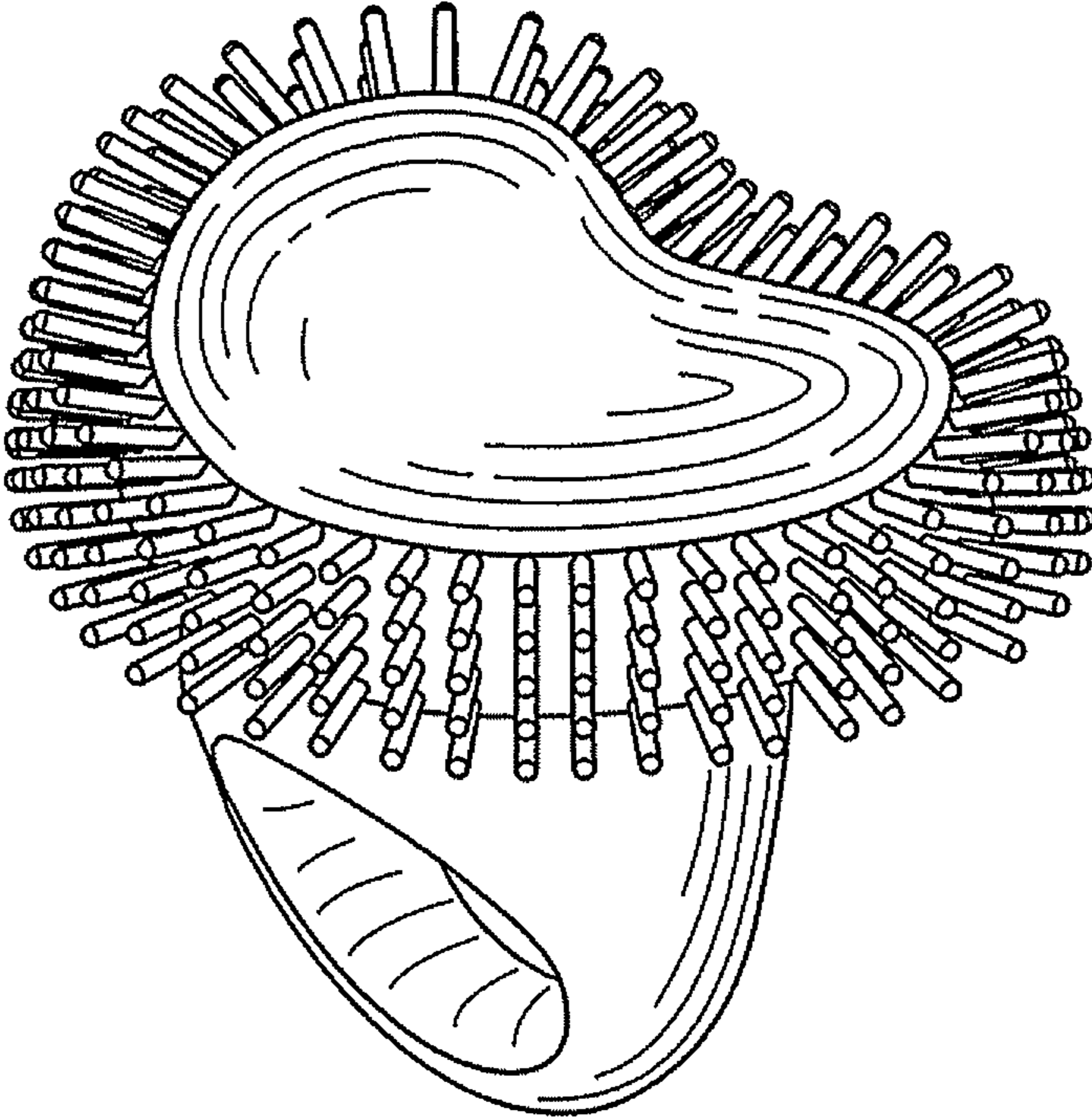


FIG. 1

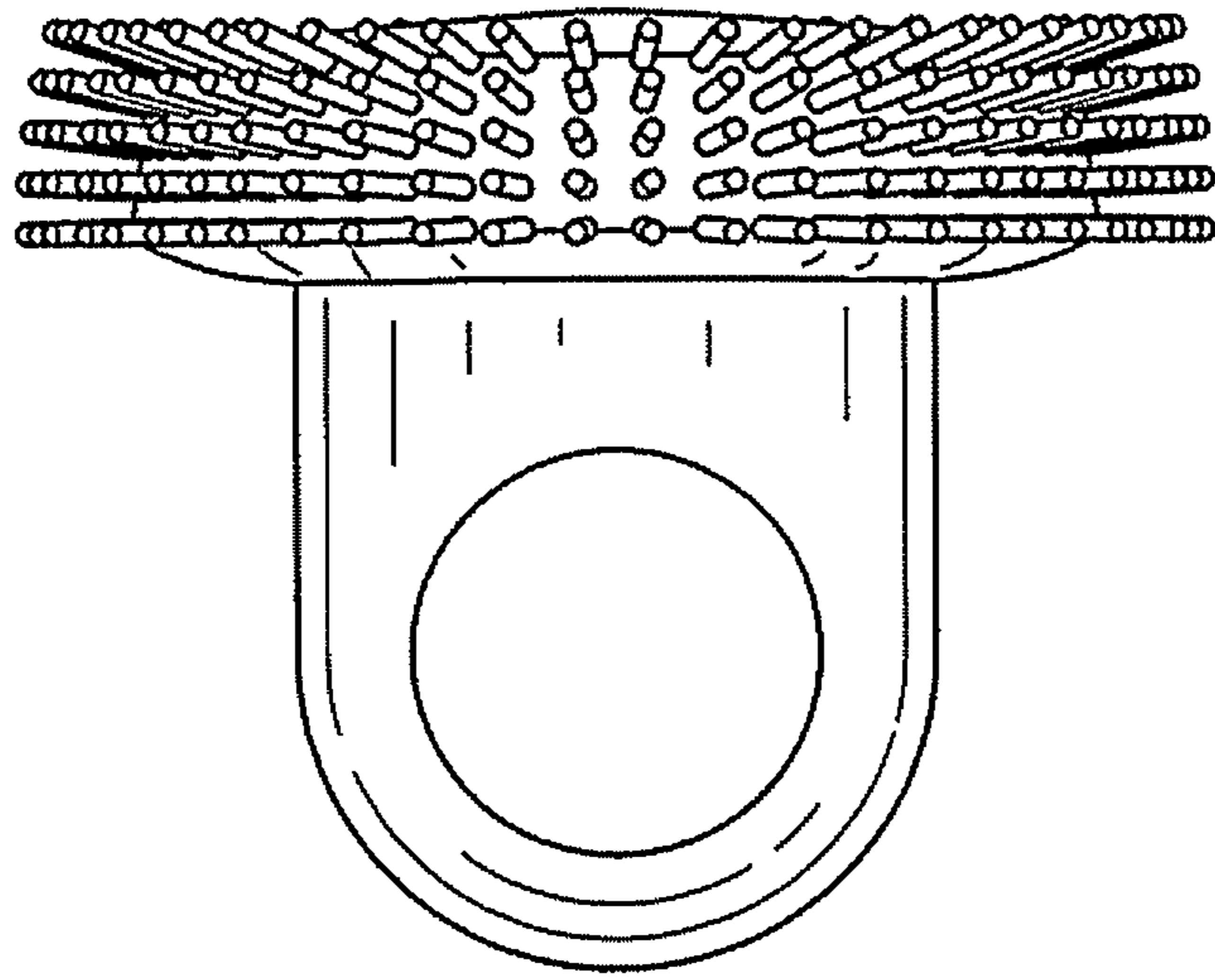


FIG. 2

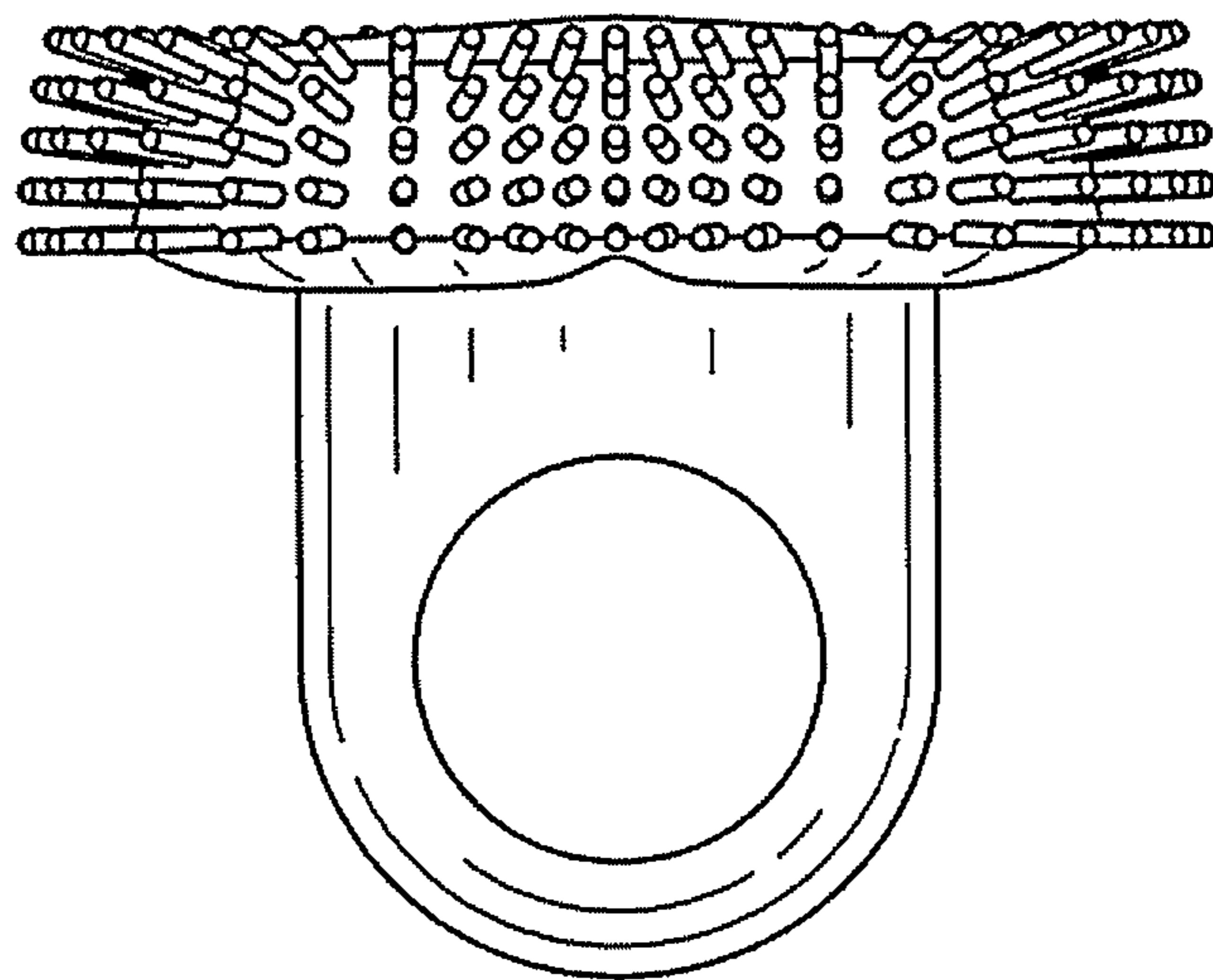


FIG. 3

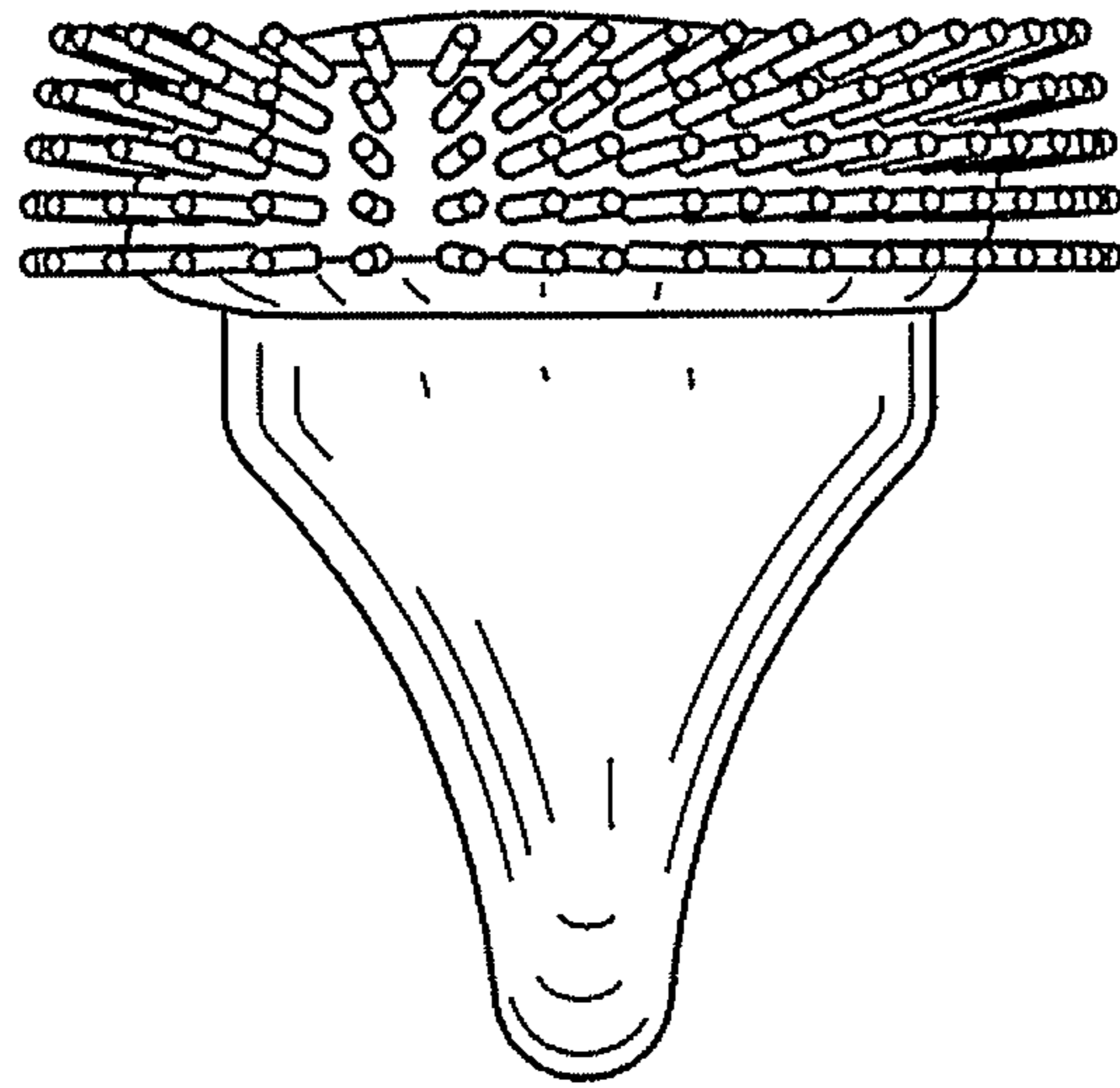


FIG. 4

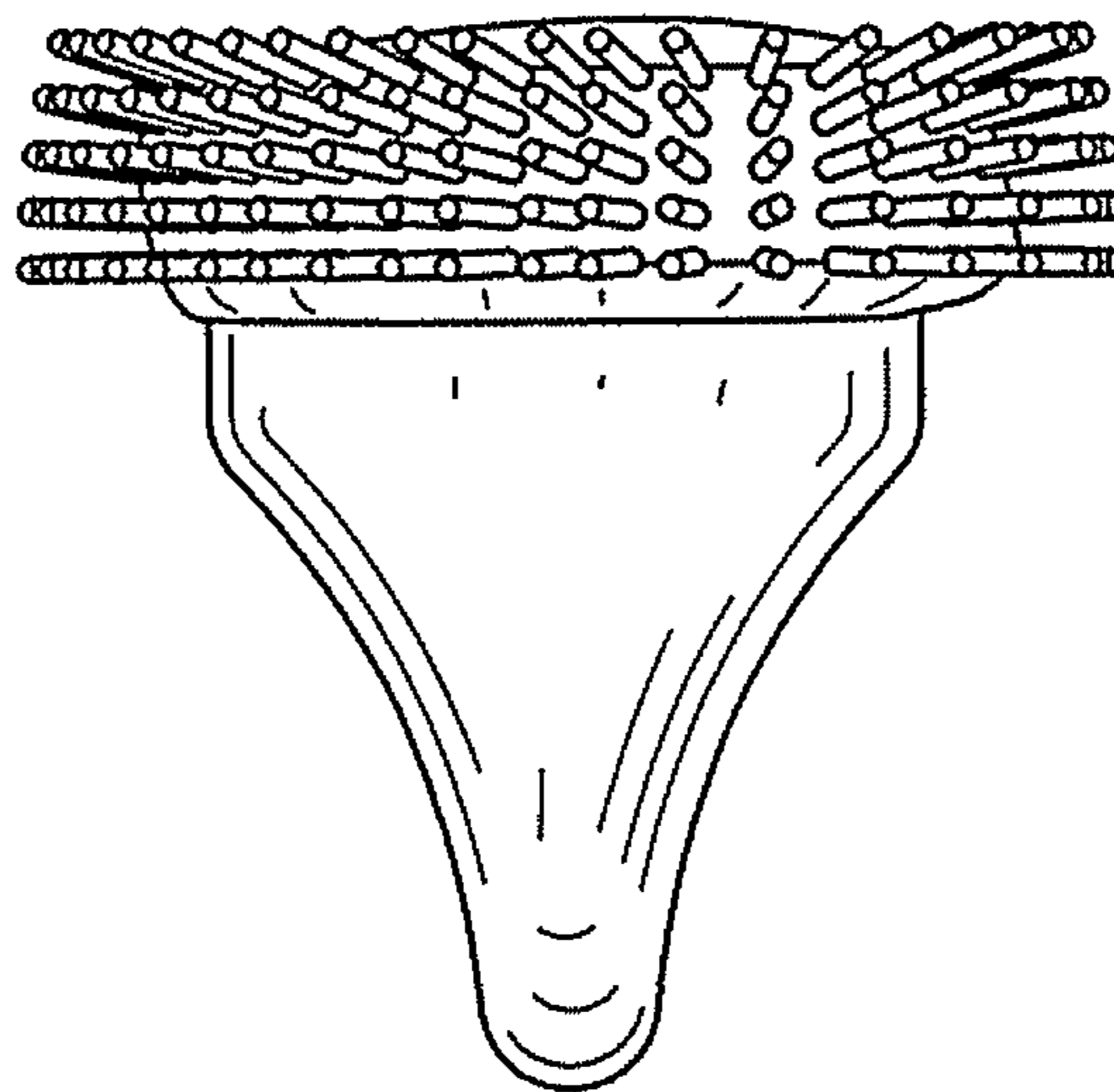


FIG. 5

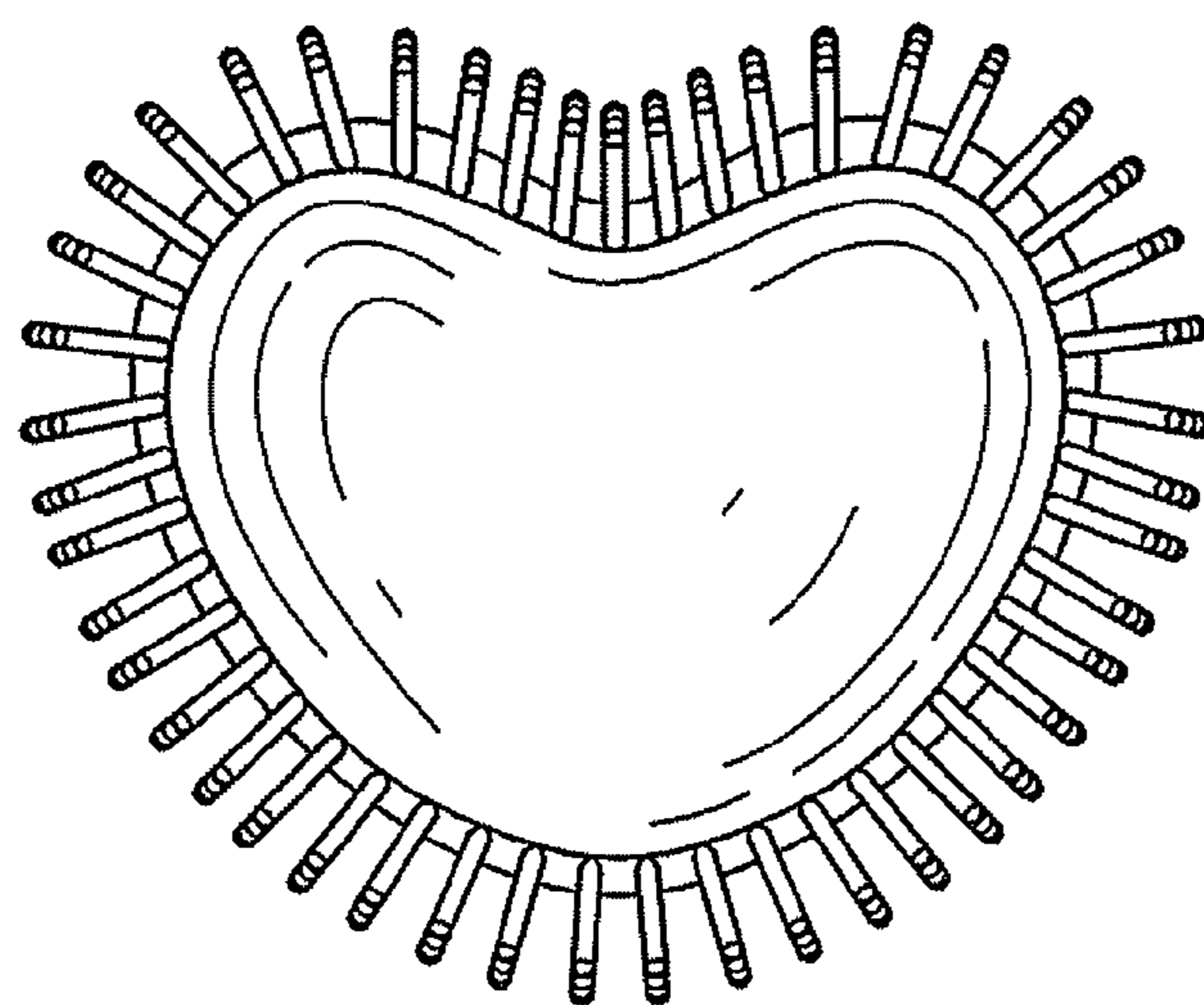


FIG. 6

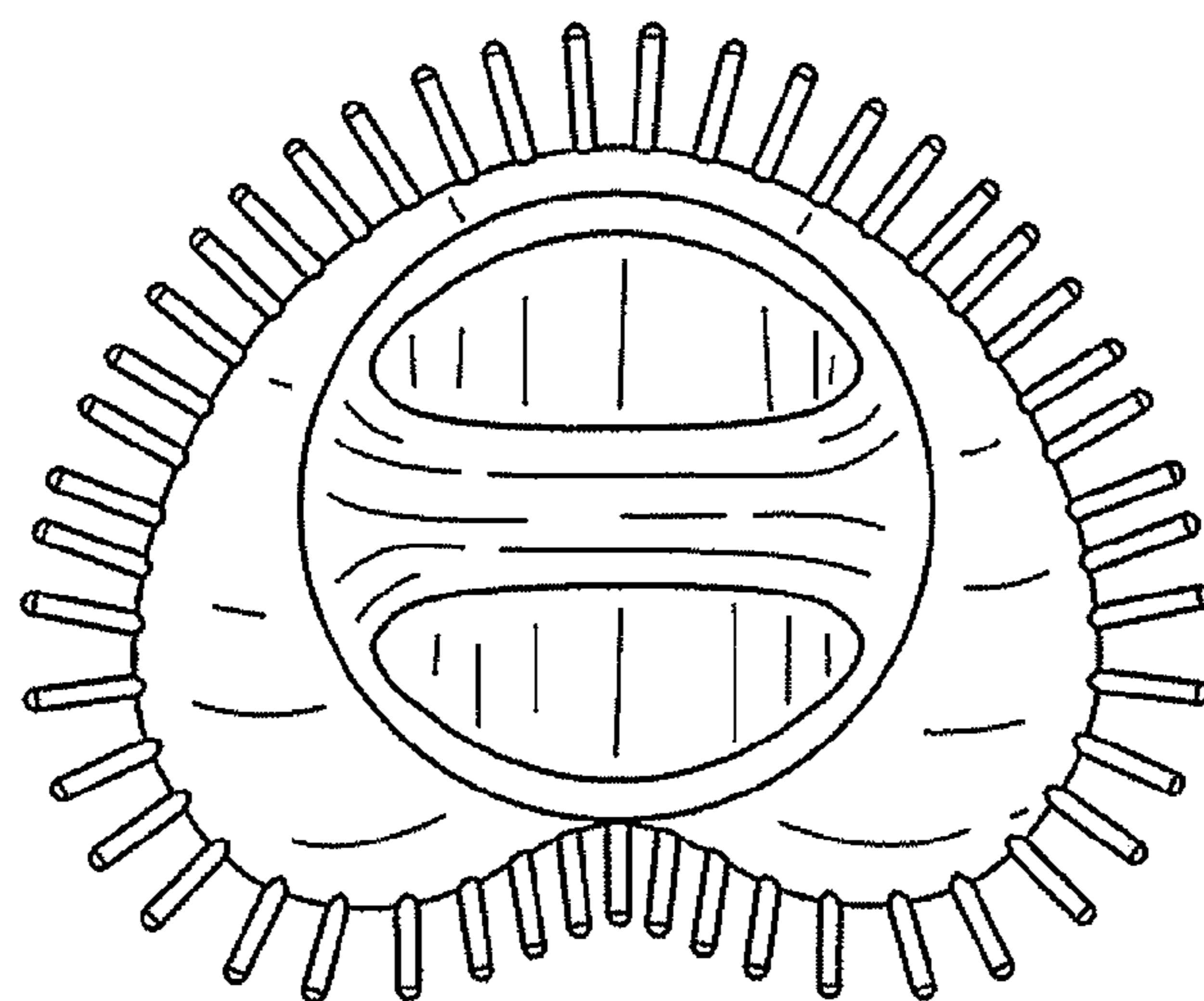


FIG. 7