



US00D709399S

(12) **United States Design Patent**
Strauser et al.

(10) **Patent No.:** **US D709,399 S**
(45) **Date of Patent:** **** Jul. 22, 2014**

(54) **SECURITY TAG**

(71) Applicant: **Checkpoint Systems, Inc.**, Thorofare, NJ (US)

(72) Inventors: **Seth Strauser**, Mullica Hill, NJ (US);
Anthony F. Piccoli, West Deptford, NJ (US)

(73) Assignee: **Checkpoint Systems, Inc.**, Thorofare, NJ (US)

(**) Term: **14 Years**

(21) Appl. No.: **29/469,335**

(22) Filed: **Oct. 9, 2013**

(51) **LOC (10) Cl.** **10-05**

(52) **U.S. Cl.**
USPC **D10/106.92**

(58) **Field of Classification Search**
USPC D10/106.9–106.92, 104.1; 70/18, 19,
70/57.1; D8/333
See application file for complete search history.

(56) **References Cited**

U.S. PATENT DOCUMENTS

4,991,413	A *	2/1991	Arnaldo	70/19
5,144,820	A *	9/1992	Holmgren	70/57.1
6,393,875	B1 *	5/2002	Garel et al.	70/18
D523,729	S *	6/2006	Gorst	D8/333
7,134,302	B2 *	11/2006	Gorst	70/57.1
D559,139	S *	1/2008	Mazzucchelli	D10/106.92
D628,504	S *	12/2010	Sayegh et al.	D10/106.92
8,416,082	B2 *	4/2013	Sayegh et al.	340/572.8

* cited by examiner

Primary Examiner — George D Kirschbaum

(74) *Attorney, Agent, or Firm* — Richard A. Howe, II

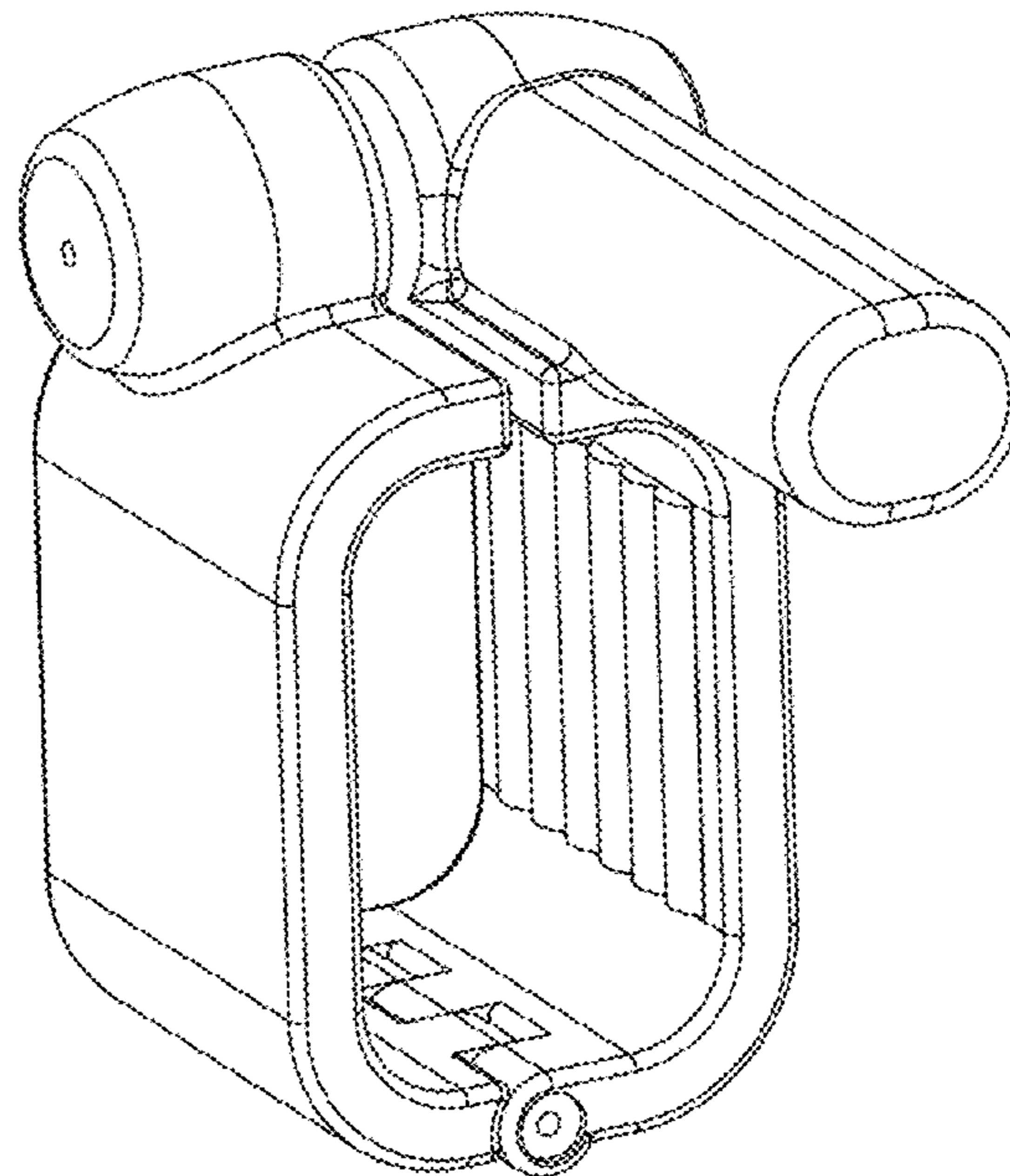
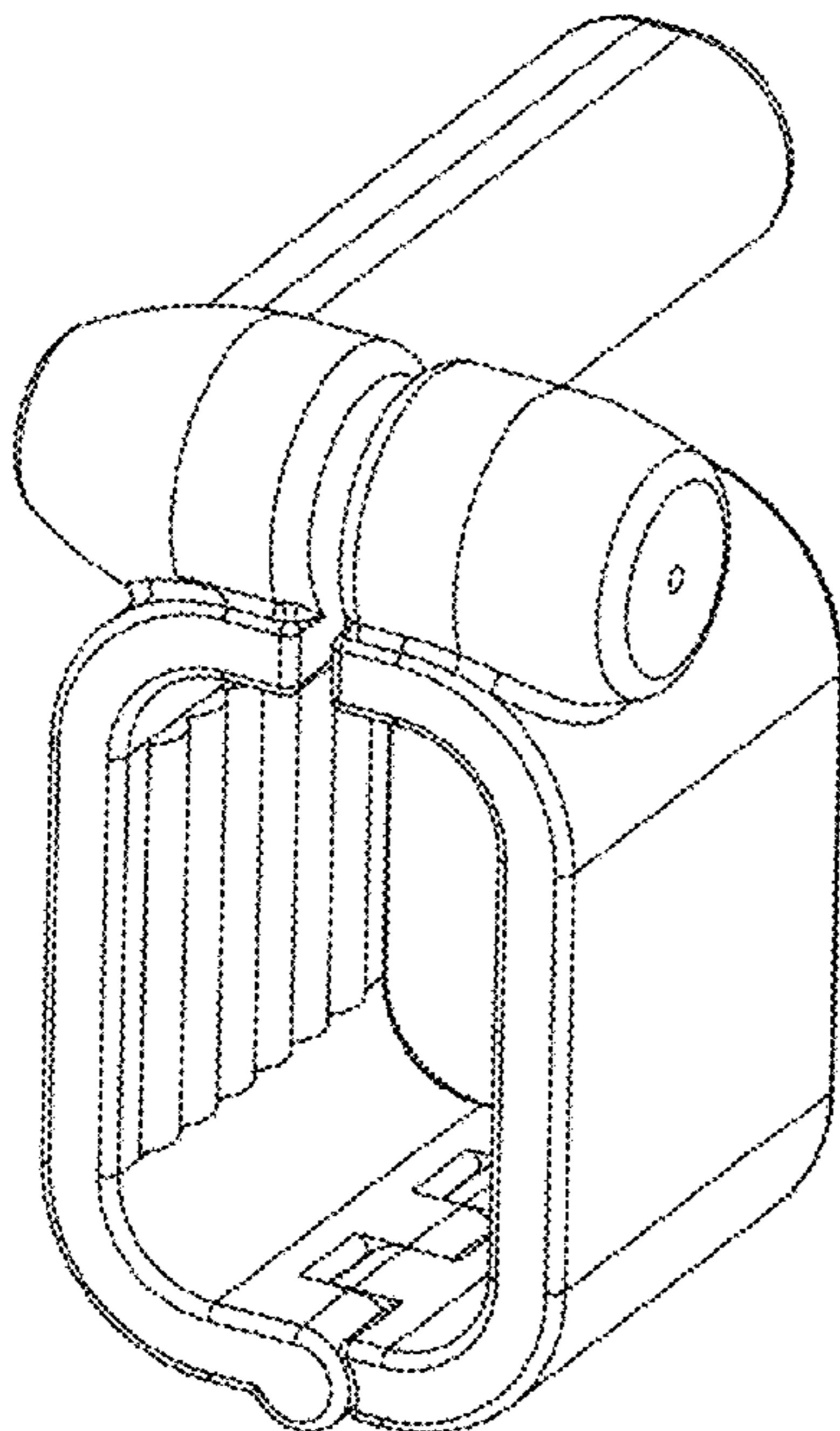
(57) **CLAIM**

The ornamental design for a security tag, as shown and described.

DESCRIPTION

FIG. 1 is a perspective view of first embodiment of a security tag showing our new design;
 FIG. 2 is a reverse perspective view thereof;
 FIG. 3 is a top view thereof;
 FIG. 4 is a bottom view thereof;
 FIG. 5 is a right view thereof;
 FIG. 6 is a left view thereof;
 FIG. 7 is a front view thereof;
 FIG. 8 is a rear view thereof;
 FIG. 9 is a perspective view of a second embodiment of a security tag;
 FIG. 10 is a reverse perspective view thereof;
 FIG. 11 is a top view thereof;
 FIG. 12 is a bottom view thereof;
 FIG. 13 is a right view thereof;
 FIG. 14 is a left view thereof;
 FIG. 15 is a front view thereof; and,
 FIG. 16 is a rear view thereof.
 The dotted lines of equal length illustrate the environment and form no part of the claimed design.

1 Claim, 16 Drawing Sheets



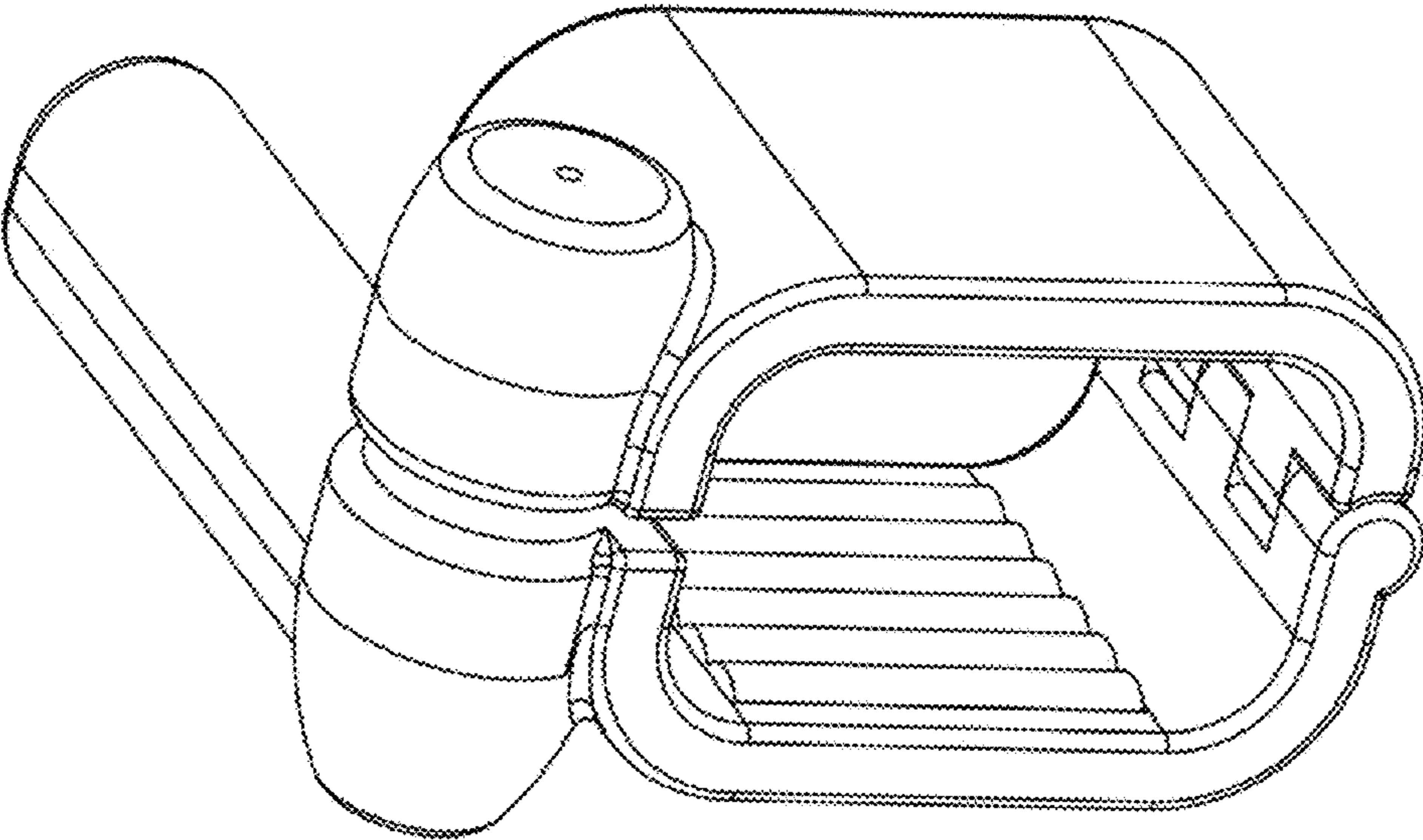


FIG. 1

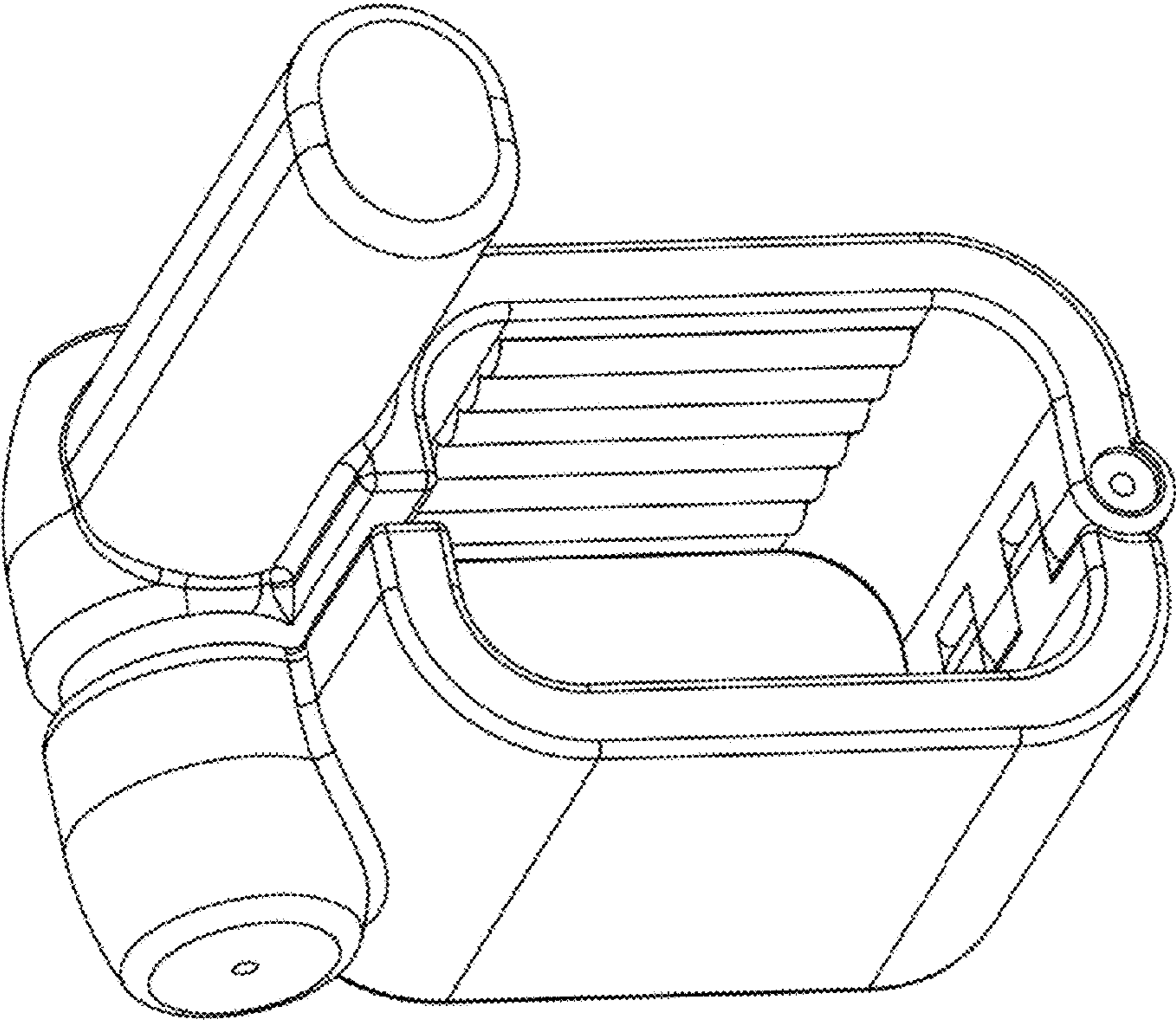


FIG. 2

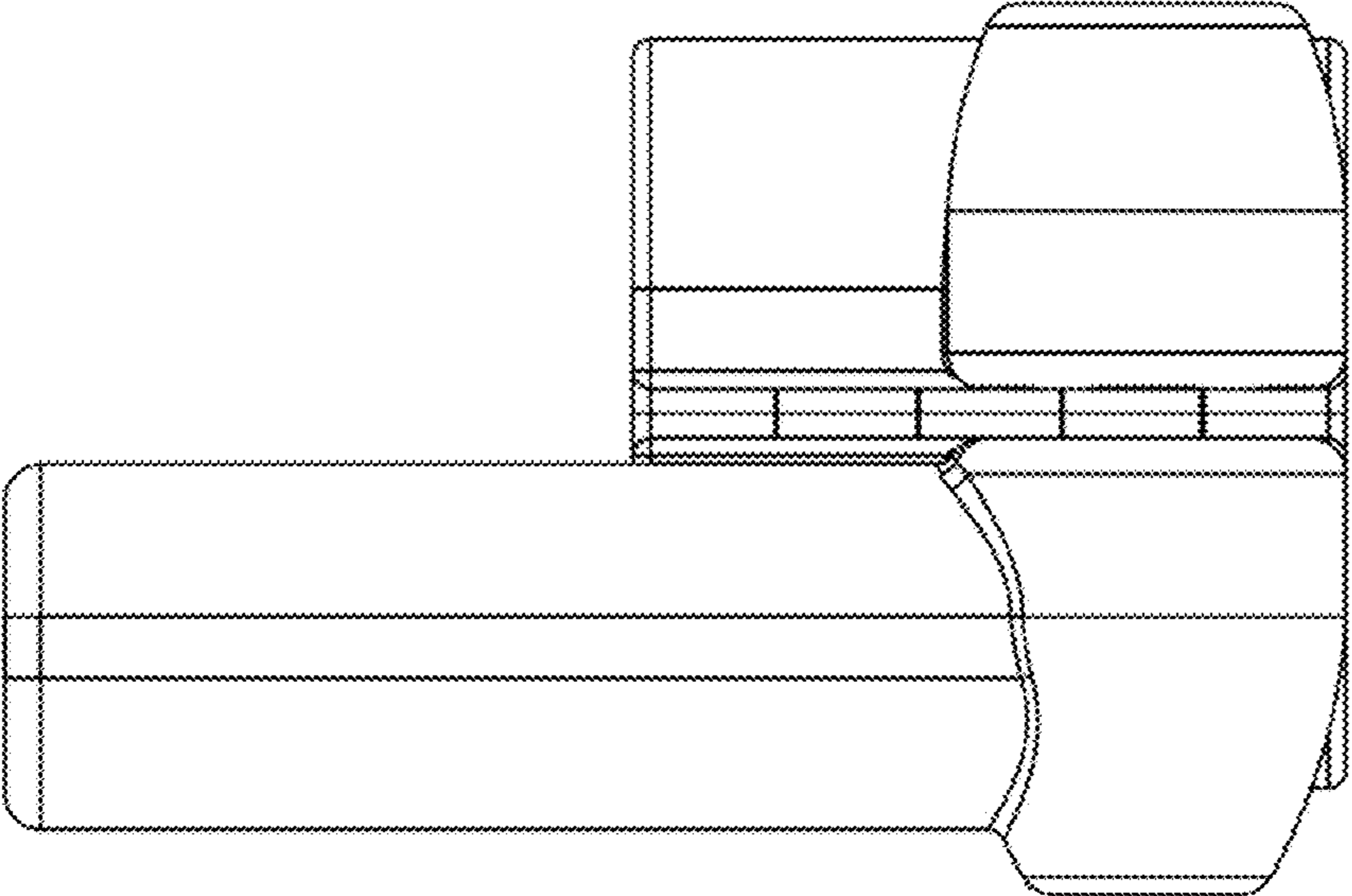


FIG. 3

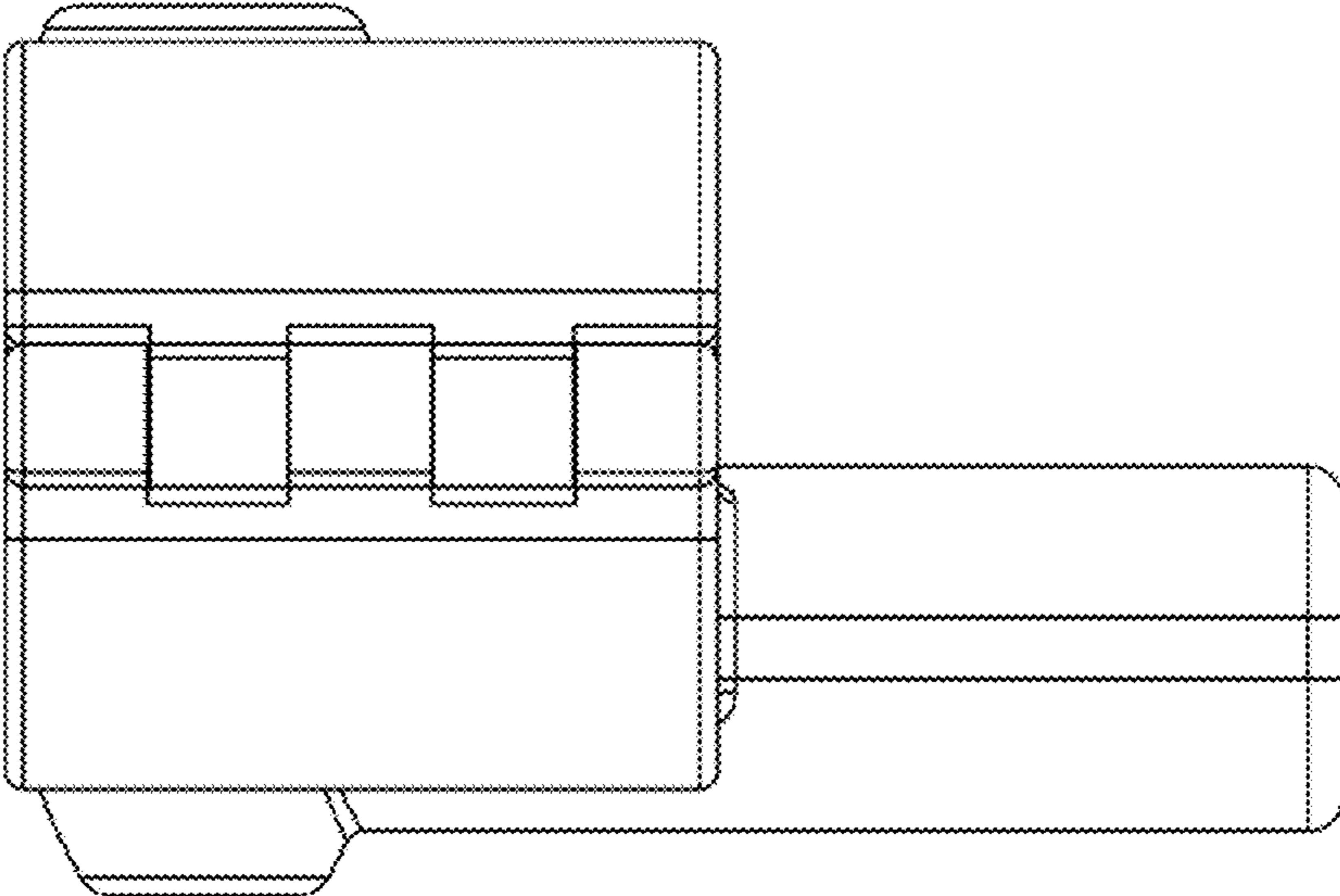


FIG. 4

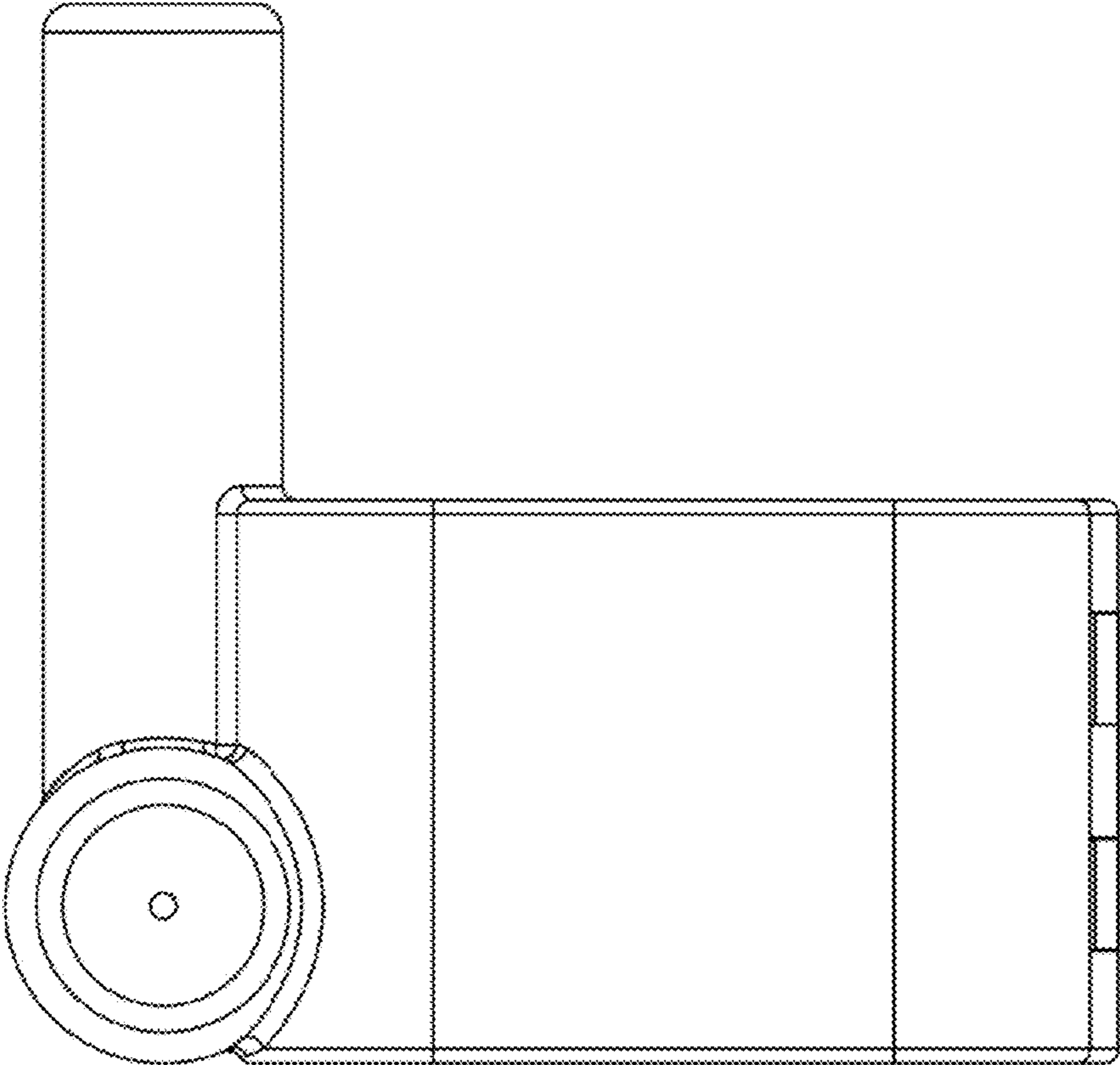


FIG. 5

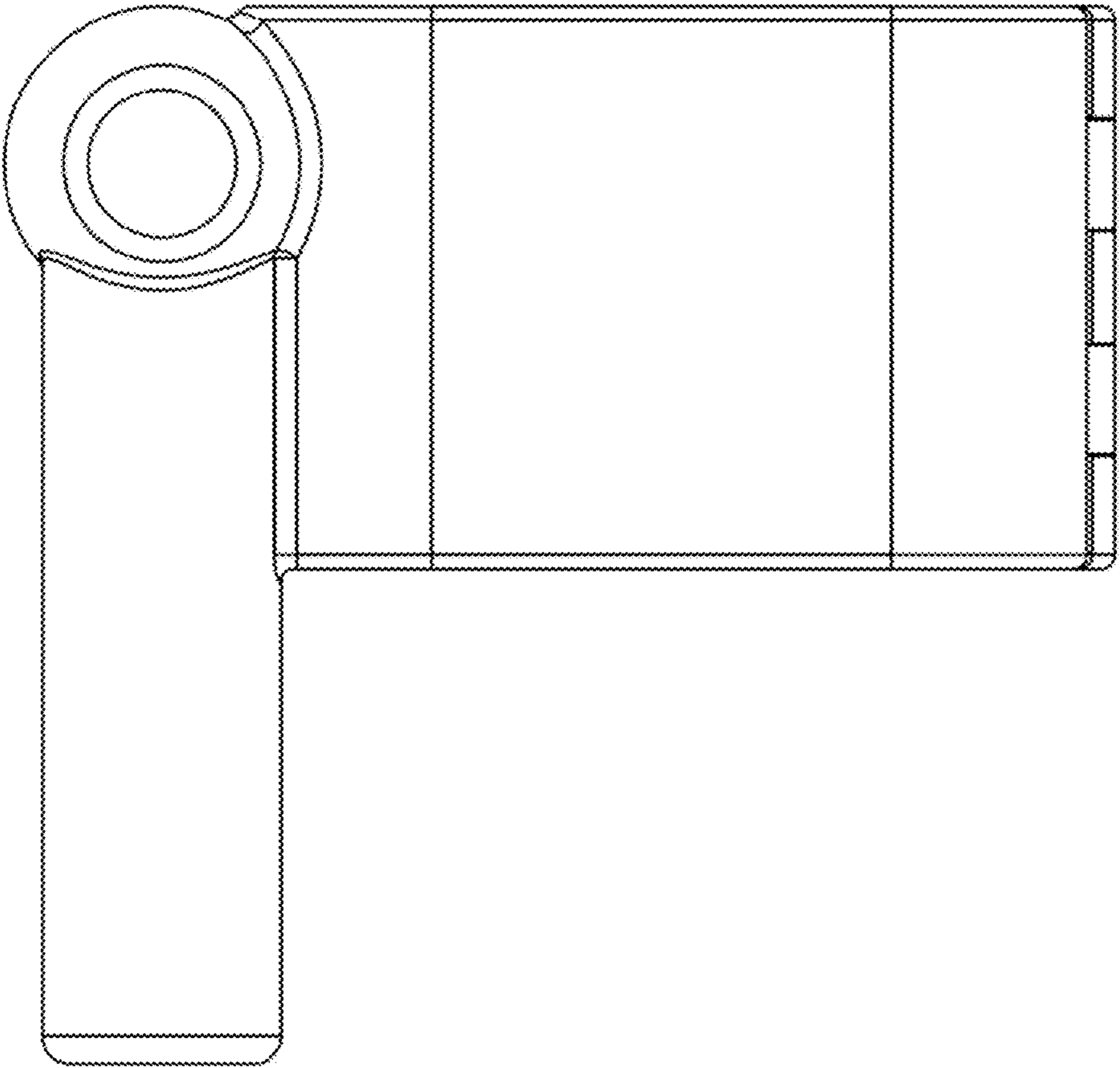


FIG. 6

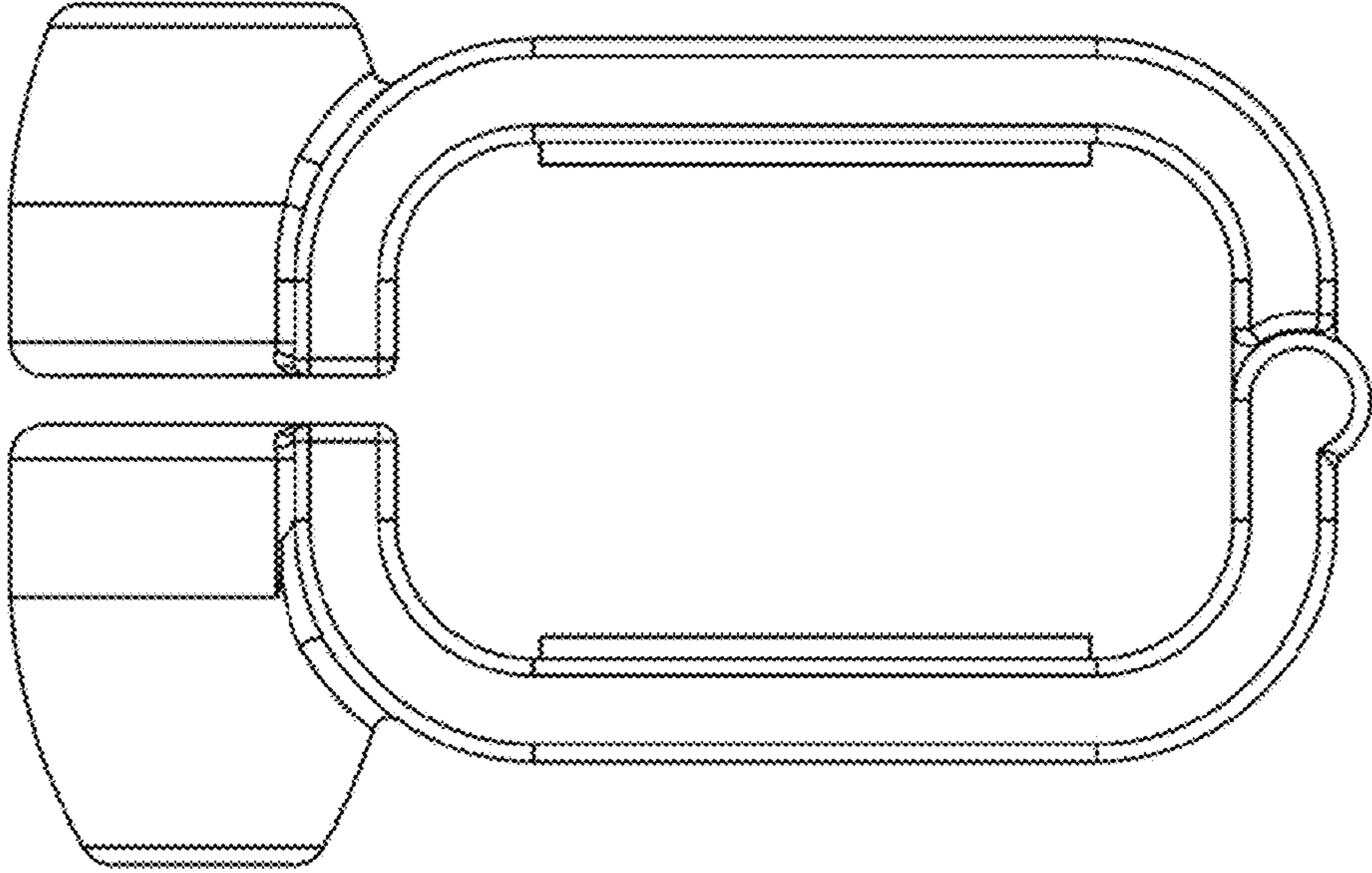


FIG. 7

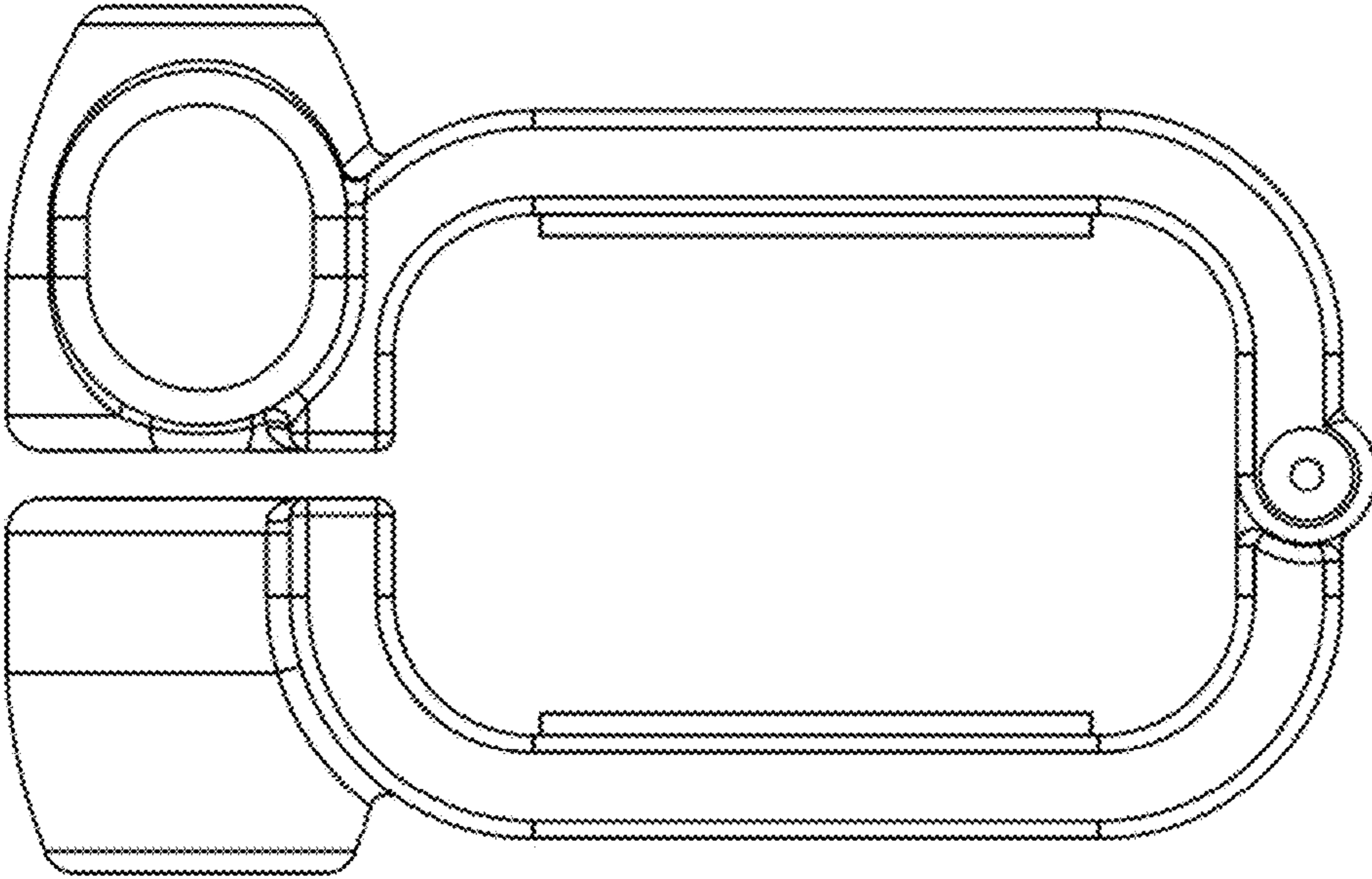


FIG. 8

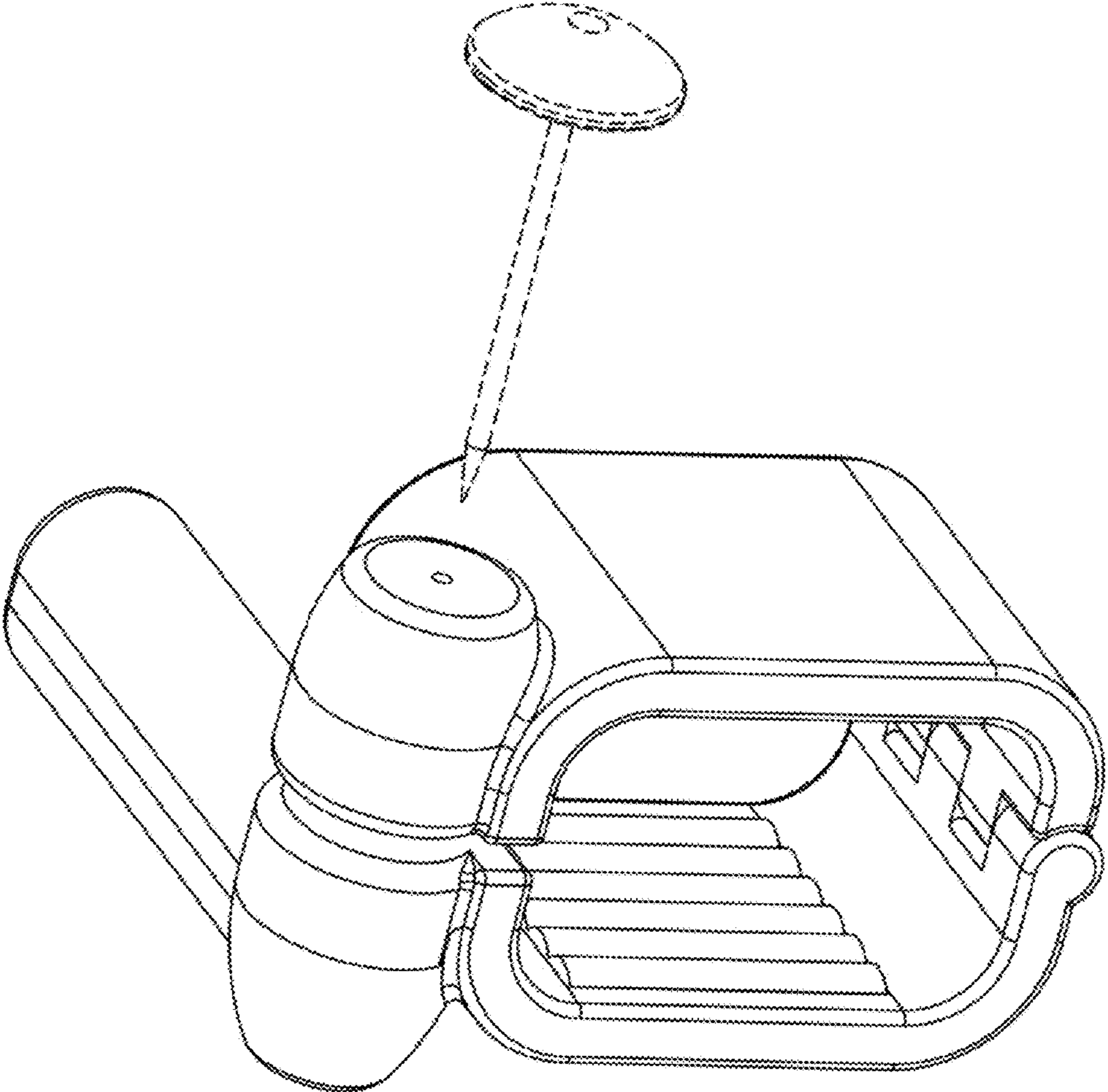


FIG. 9

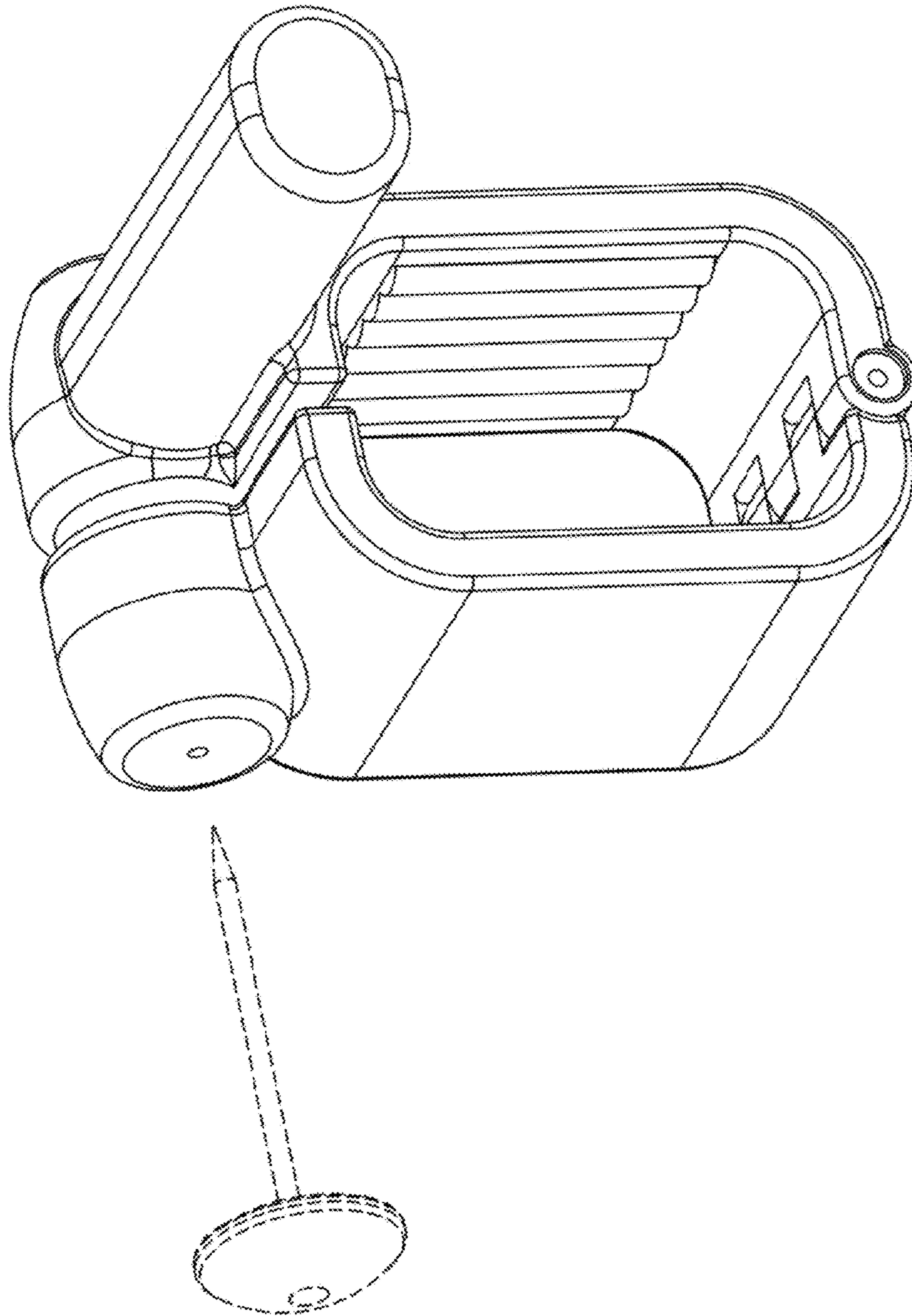


FIG. 10

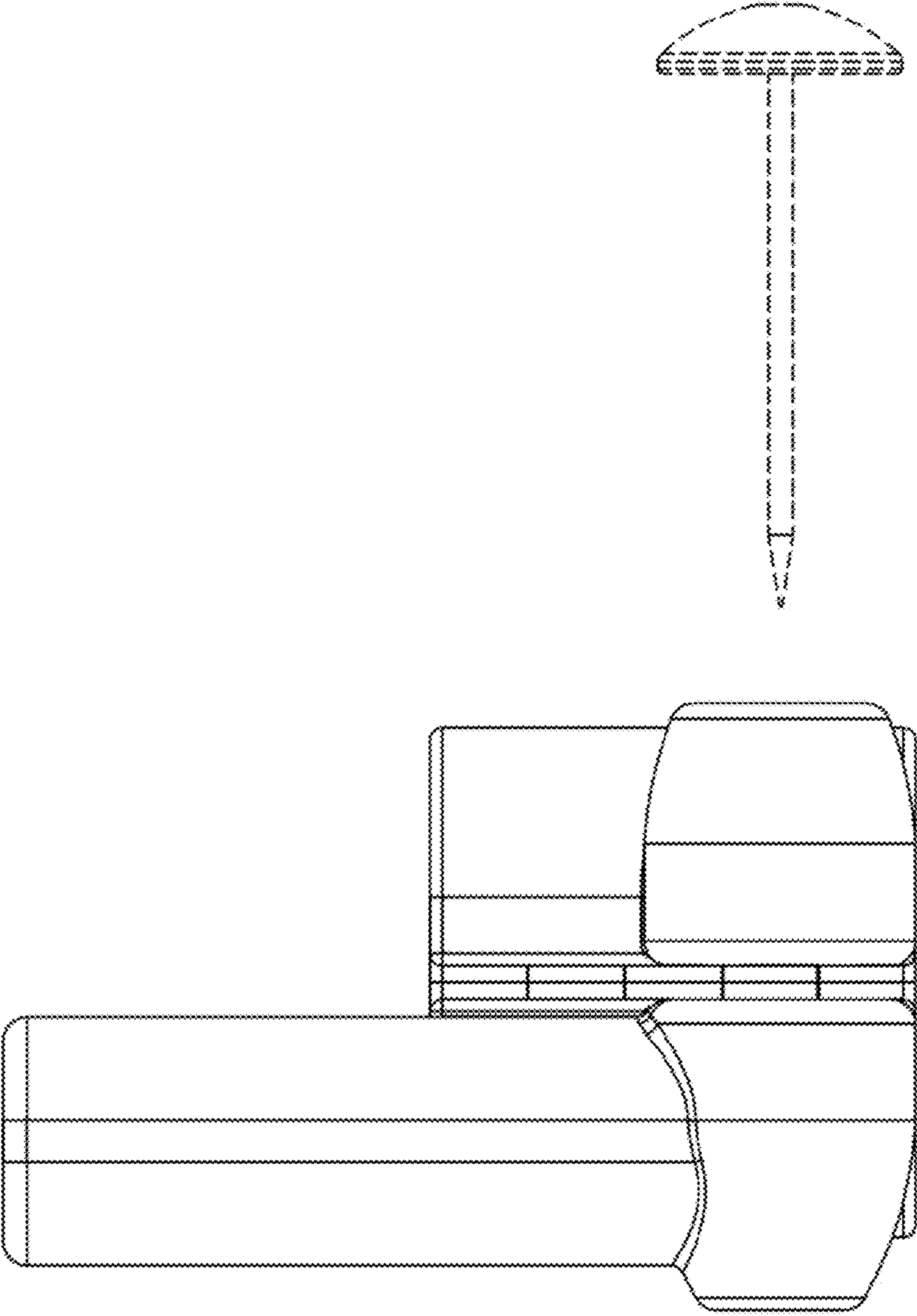


FIG. 11

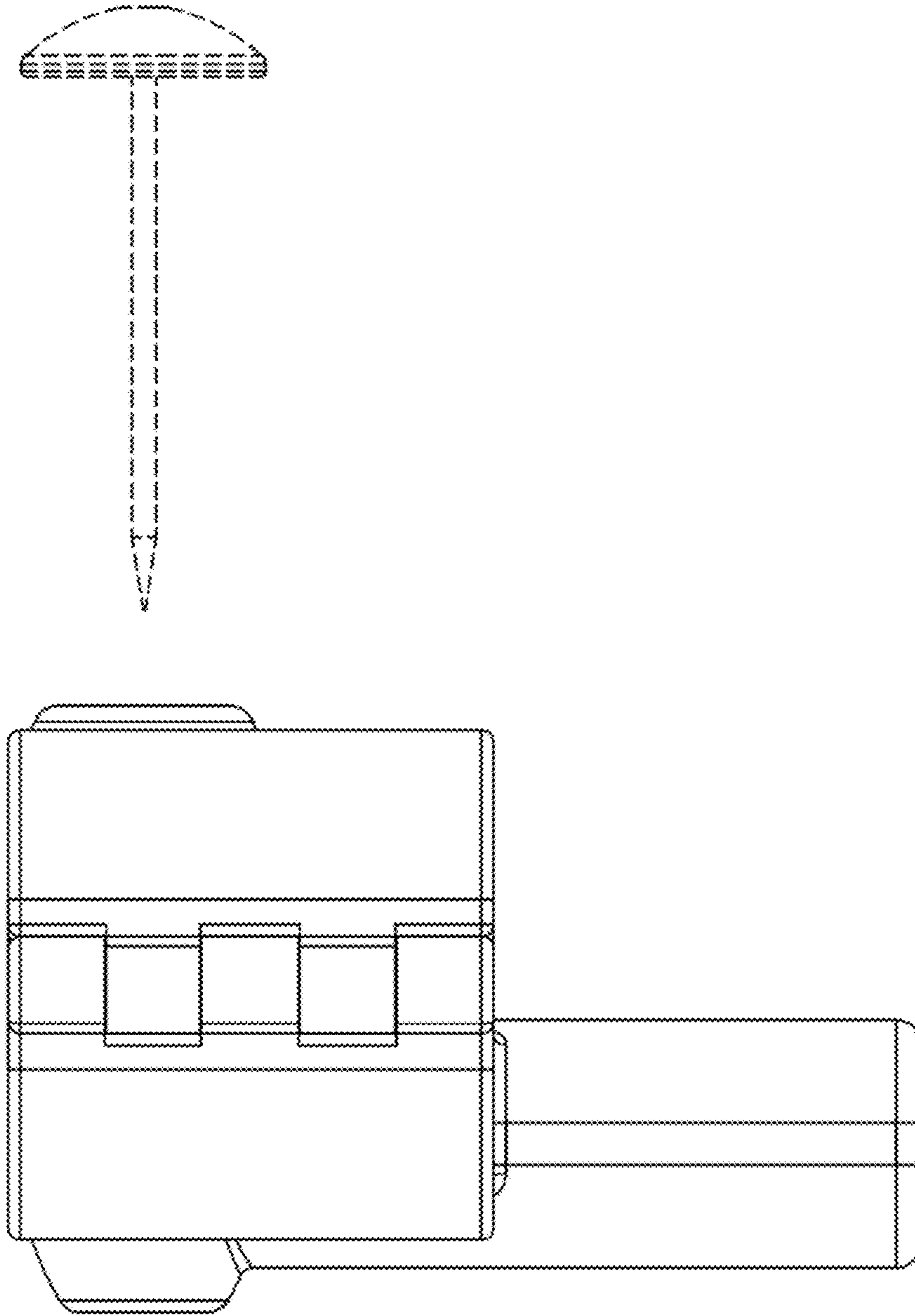


FIG. 12

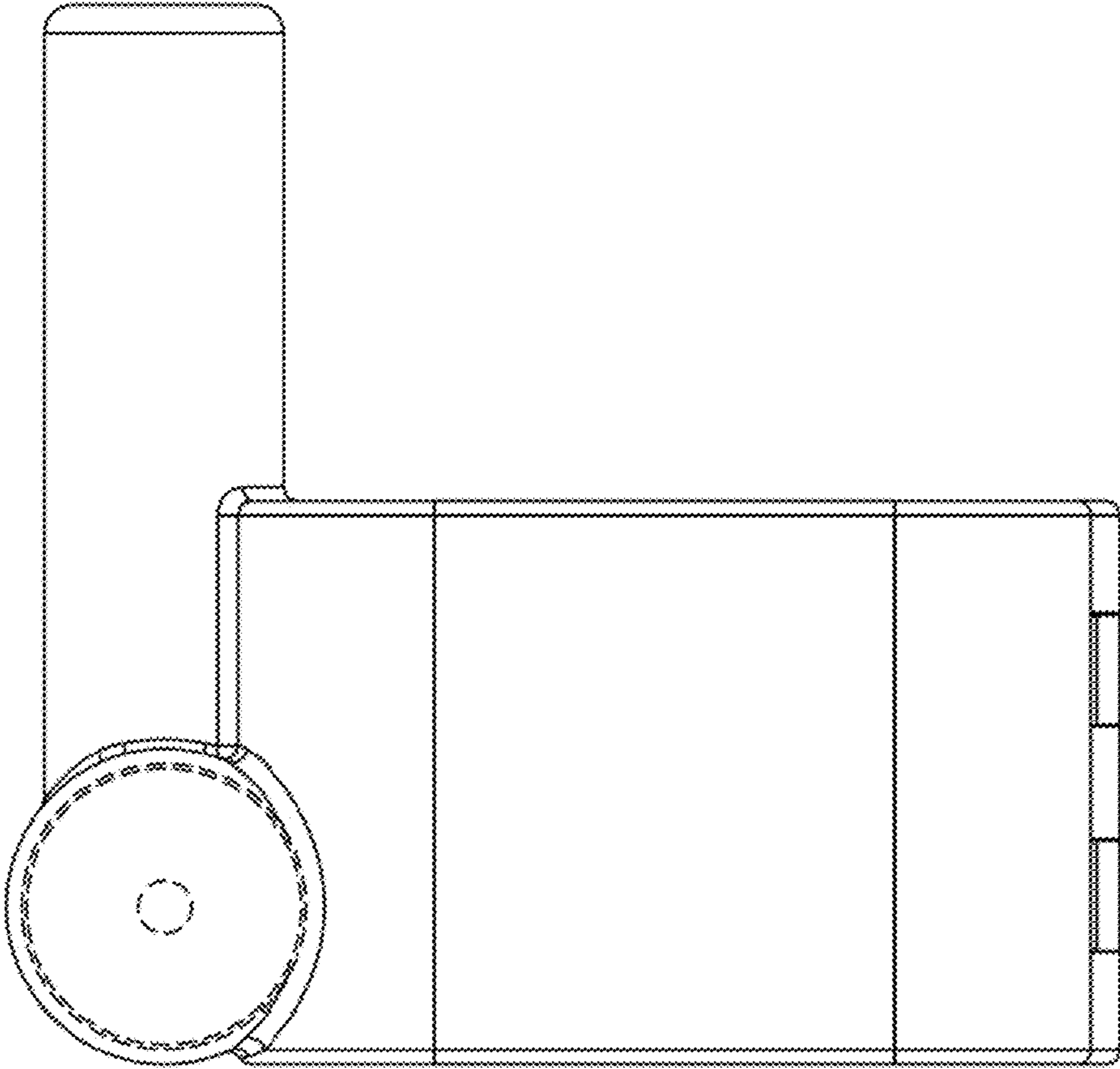


FIG. 13

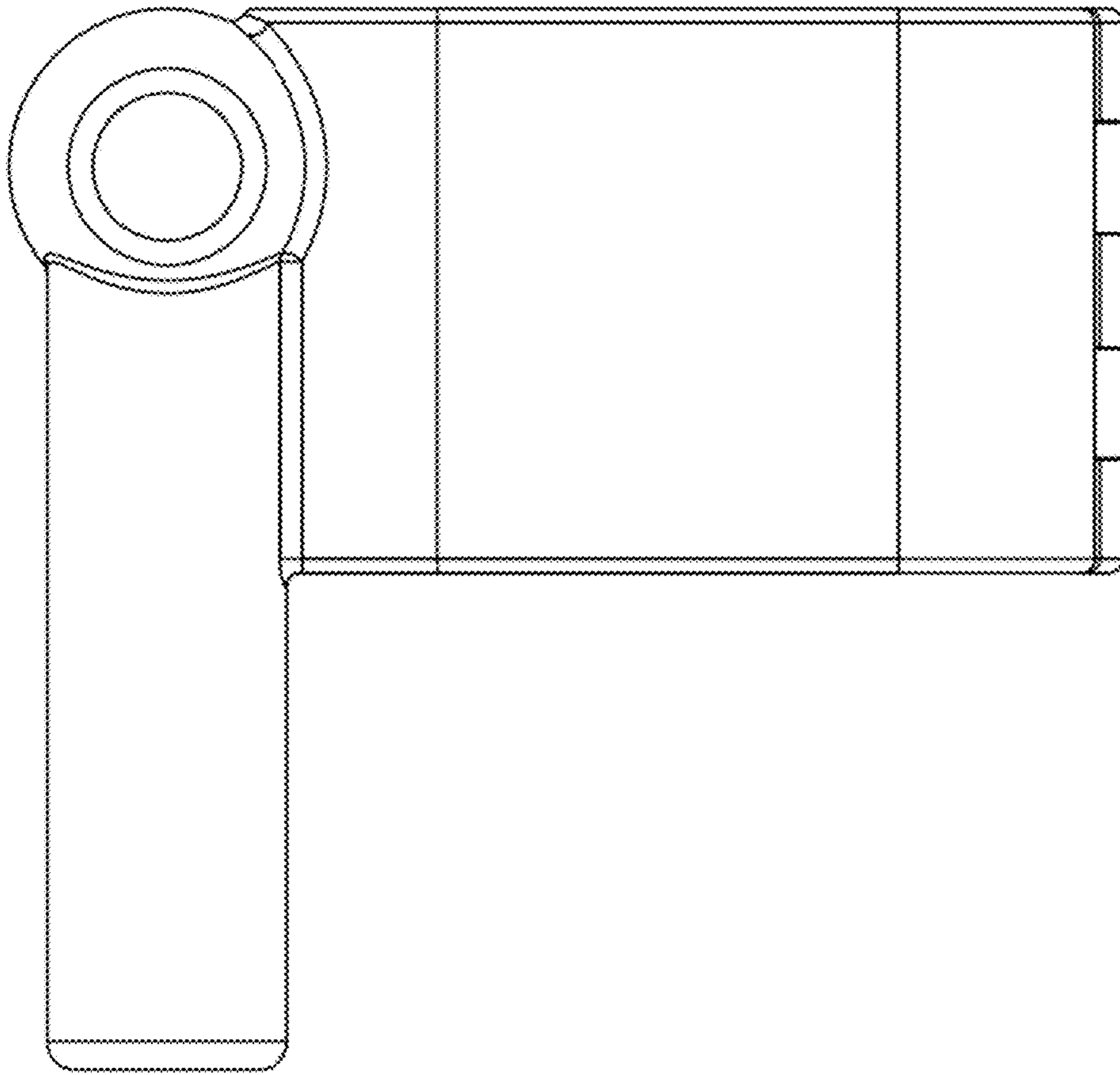


FIG. 14

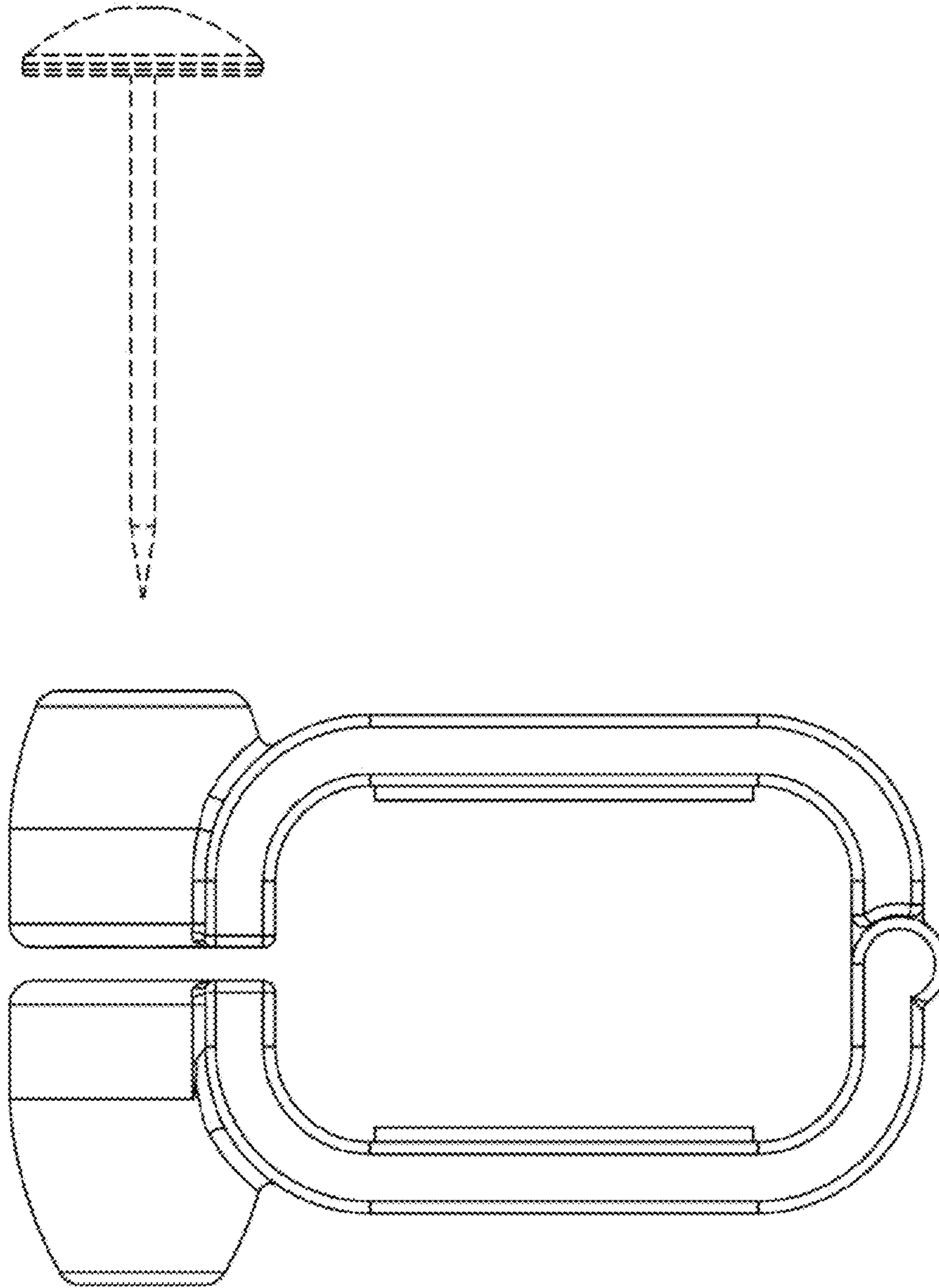


FIG. 15

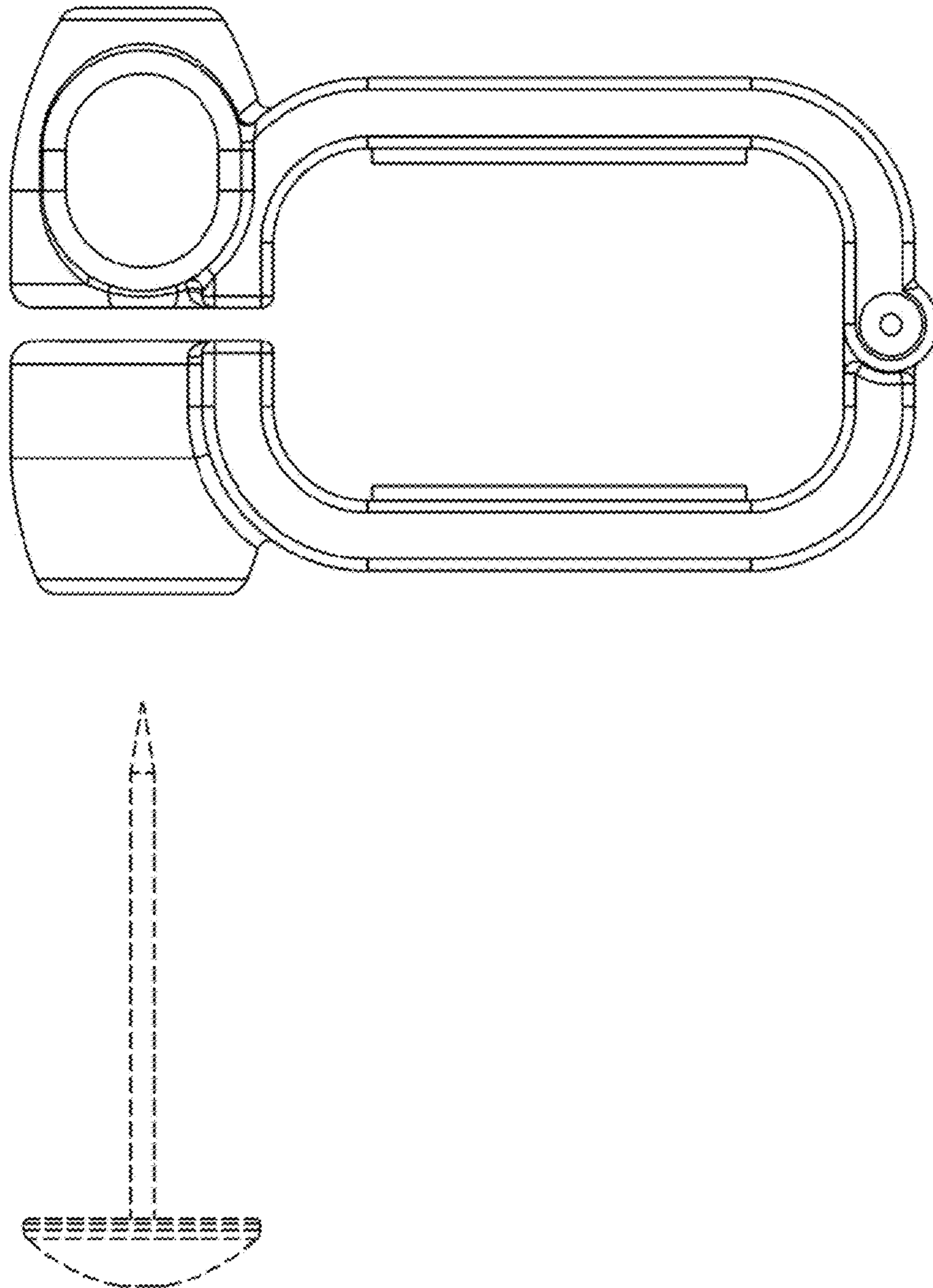


FIG. 16