



US00D709394S

(12) **United States Design Patent**  
**Ruoff**

(10) **Patent No.:** **US D709,394 S**

(45) **Date of Patent:** **\*\* Jul. 22, 2014**

(54) **FLOWMETER**

(71) Applicant: **Rothenberger AG**, Kelkheim (DE)

(72) Inventor: **Eckhard Ruoff**, Nagold (DE)

(73) Assignee: **Rothenberger AG**, Kelkheim (DE)

(\*\*) Term: **14 Years**

(21) Appl. No.: **29/435,215**

(22) Filed: **Oct. 22, 2012**

(51) **LOC (10) Cl.** ..... **10-04**

(52) **U.S. Cl.**

USPC ..... **D10/96**

(58) **Field of Classification Search**

USPC ..... D10/96; 73/700-756, 861-861.41;  
116/266-272

See application file for complete search history.

(56) **References Cited**

U.S. PATENT DOCUMENTS

2007/0089525 A1\* 4/2007 Momose et al. .... 73/753  
2007/0157739 A1\* 7/2007 Sparks et al. .... 73/861.352

\* cited by examiner

*Primary Examiner* — Antoine D Davis

(74) *Attorney, Agent, or Firm* — Leydig, Voit & Mayer, Ltd.

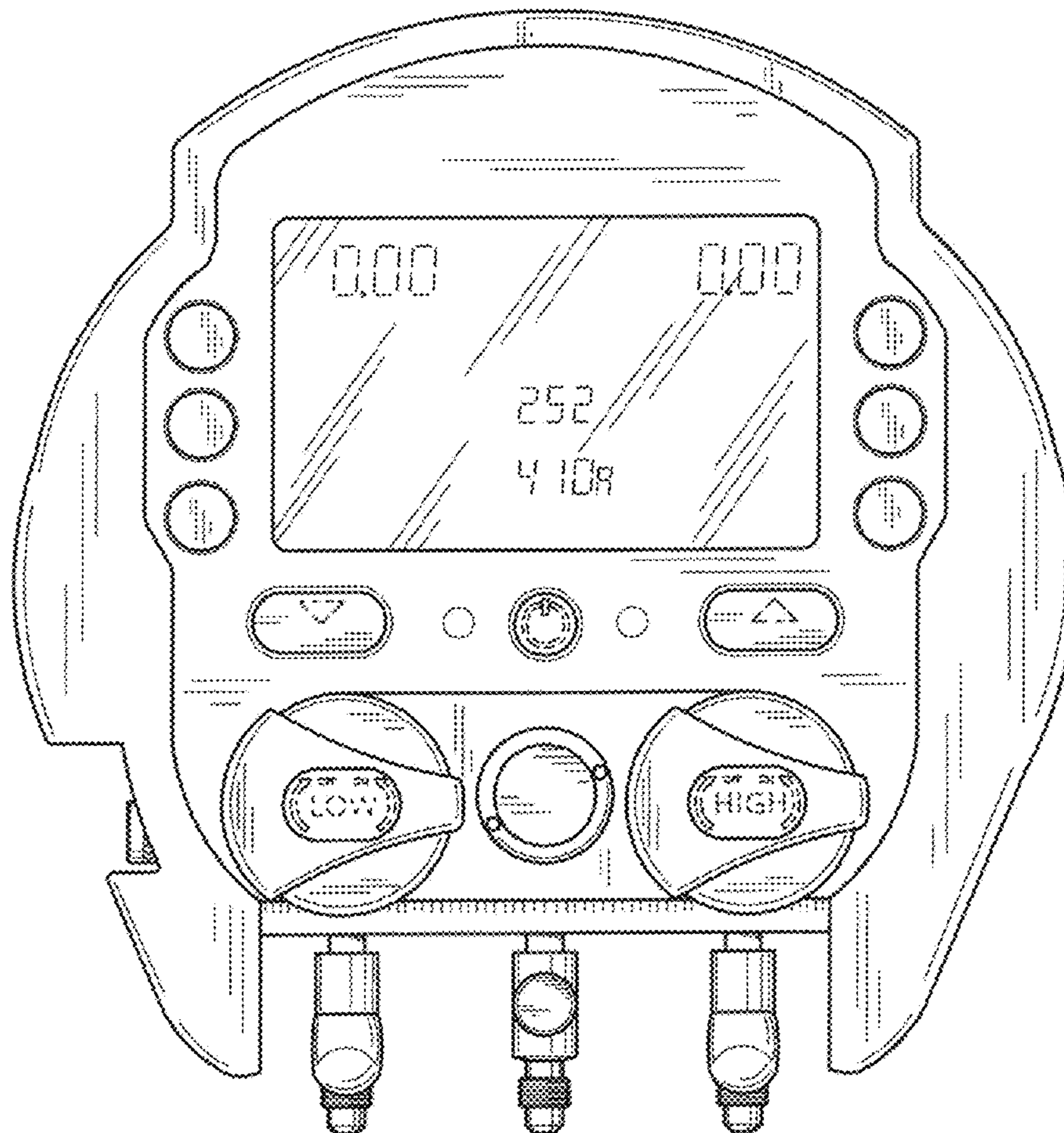
(57) **CLAIM**

The ornamental design for a flowmeter, as shown and described.

**DESCRIPTION**

FIG. 1 is a front elevational view of the flowmeter showing my new design;  
FIG. 2 is a rear elevational view thereof;  
FIG. 3 is a top plan view thereof;  
FIG. 4 is a bottom plan view thereof;  
FIG. 5 is a left side elevational view thereof; and,  
FIG. 6 is a right side elevational view thereof.  
The broken line portions of the drawings show unclaimed subject matter for illustrative purposes only and form no part of the claimed design.

**1 Claim, 4 Drawing Sheets**



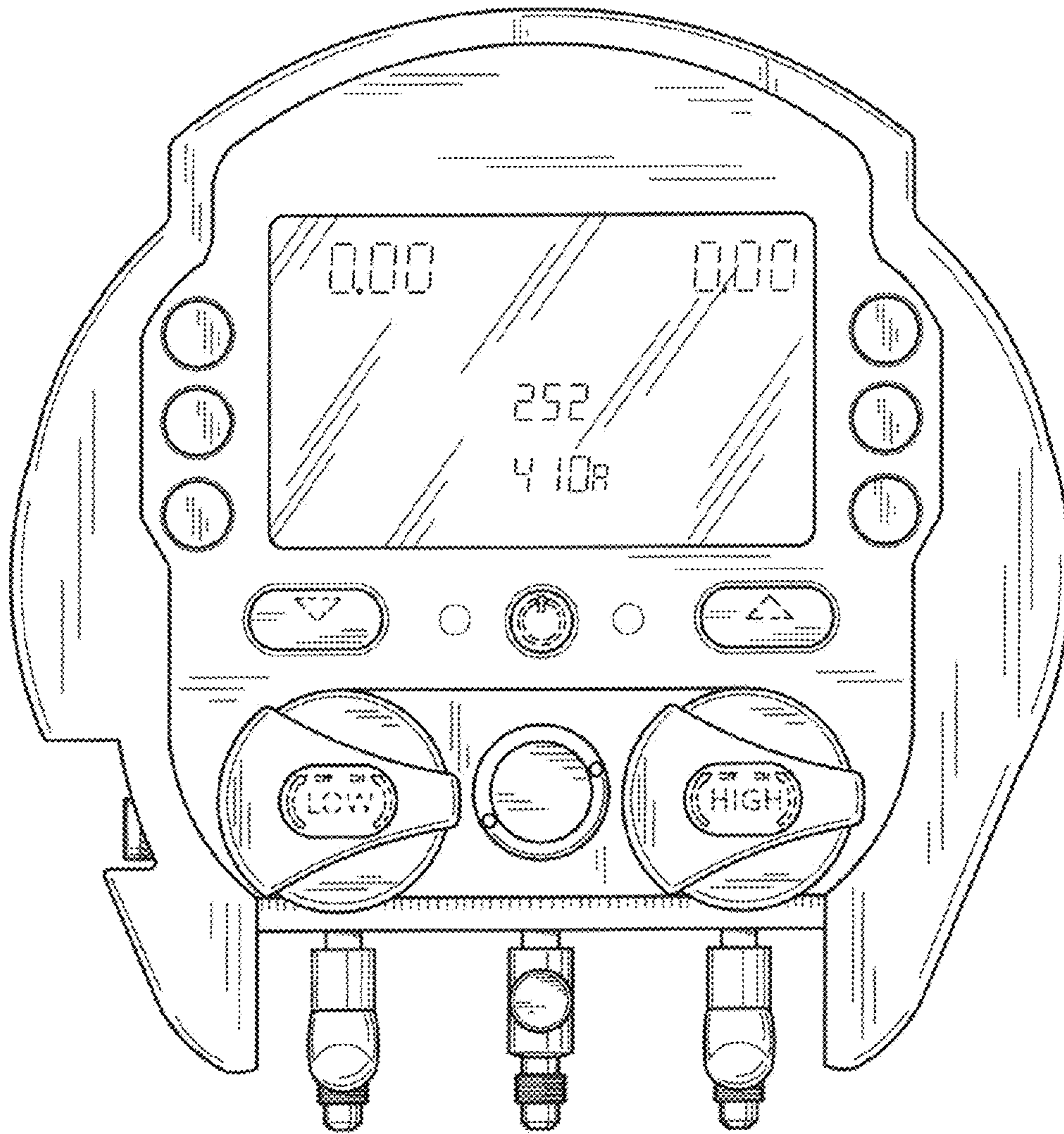


FIG. 1

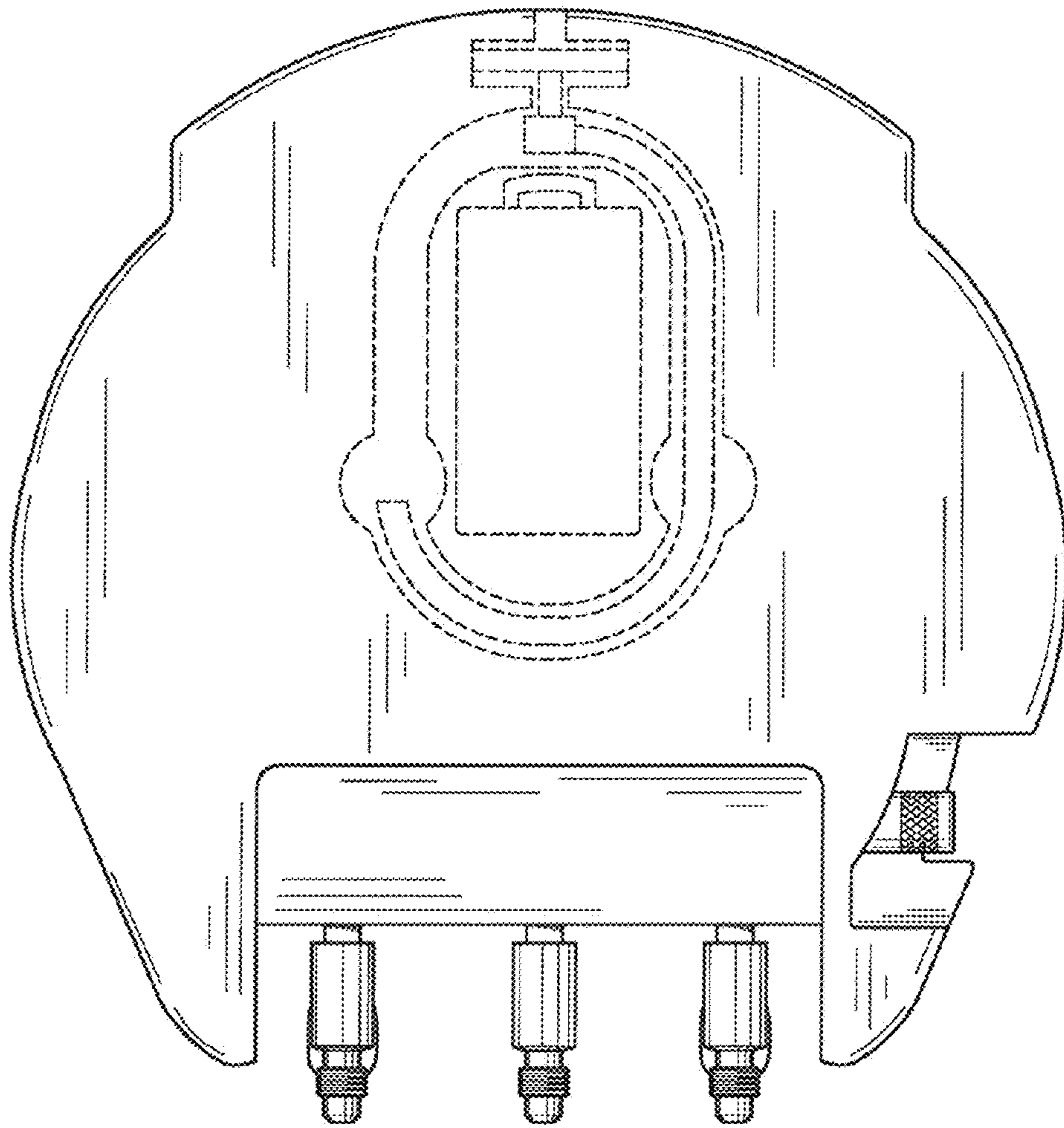


FIG. 2

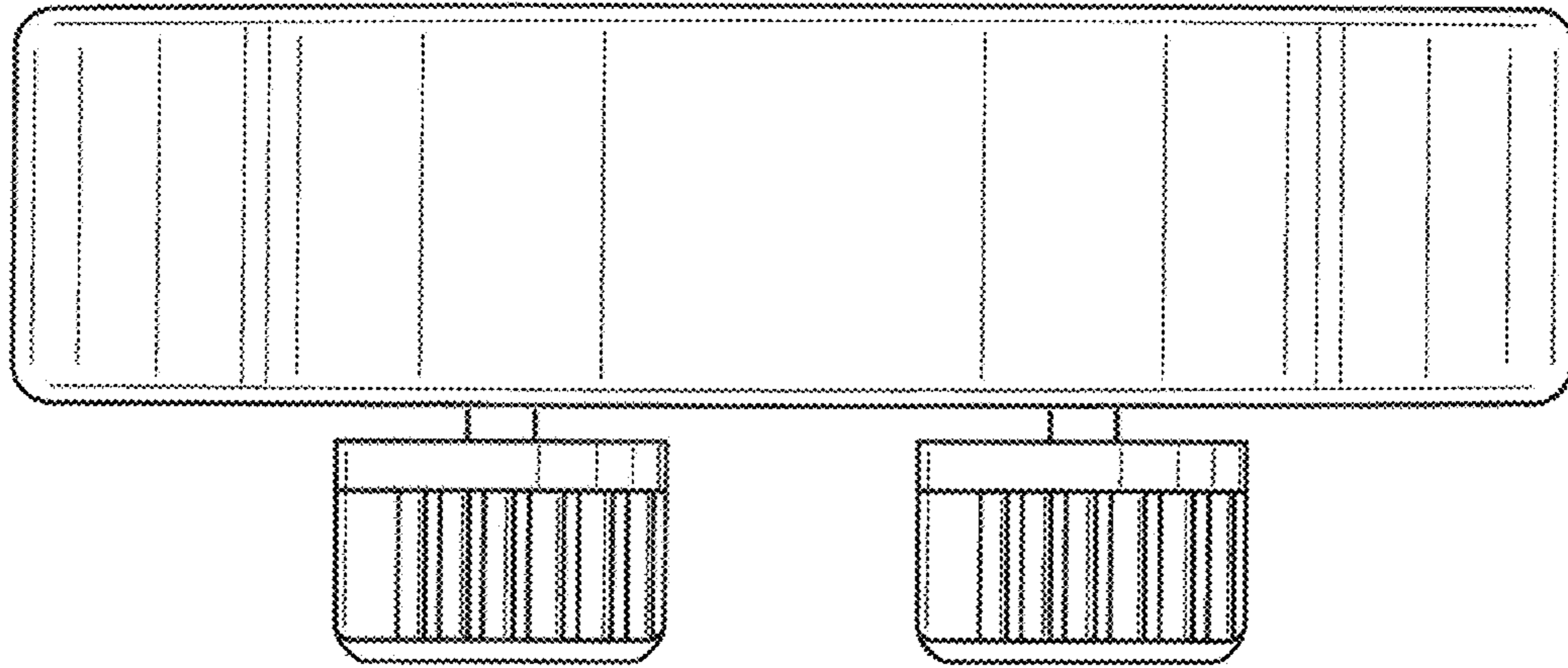


FIG. 3

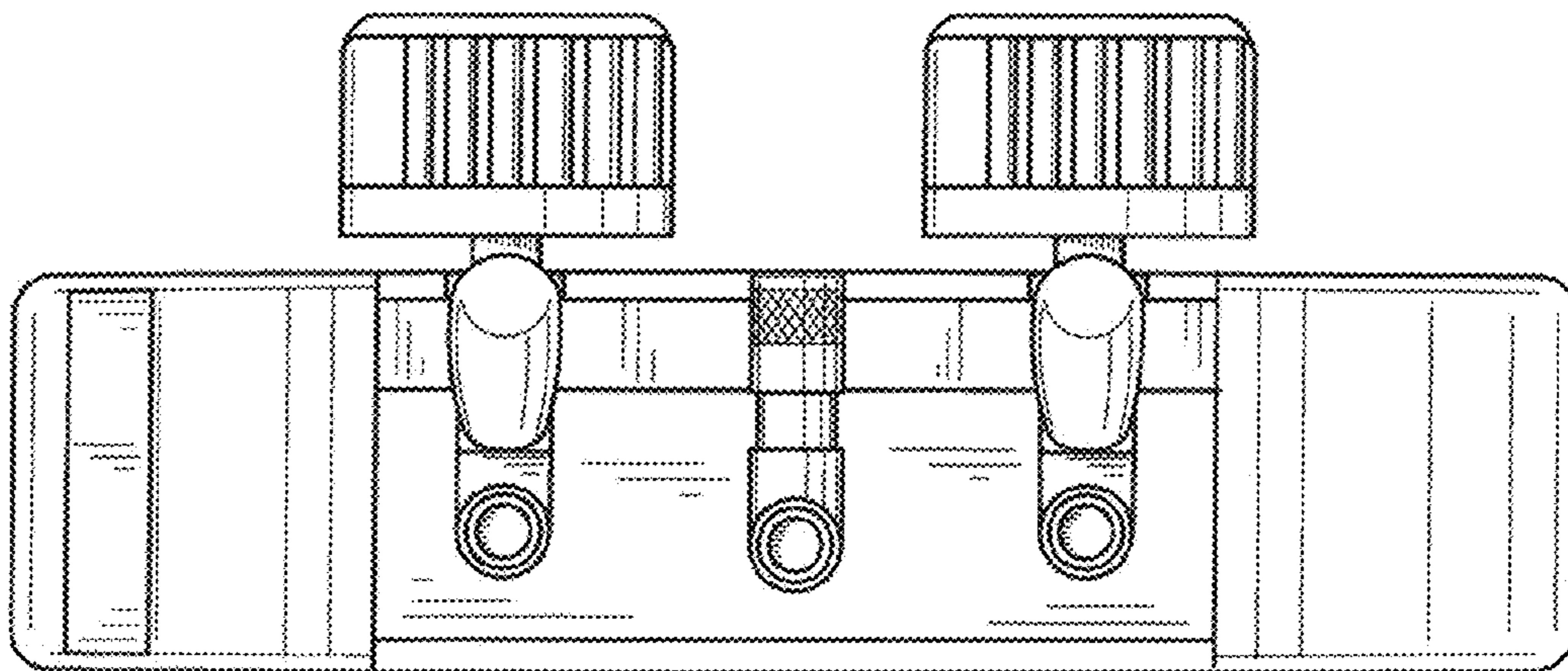


FIG. 4

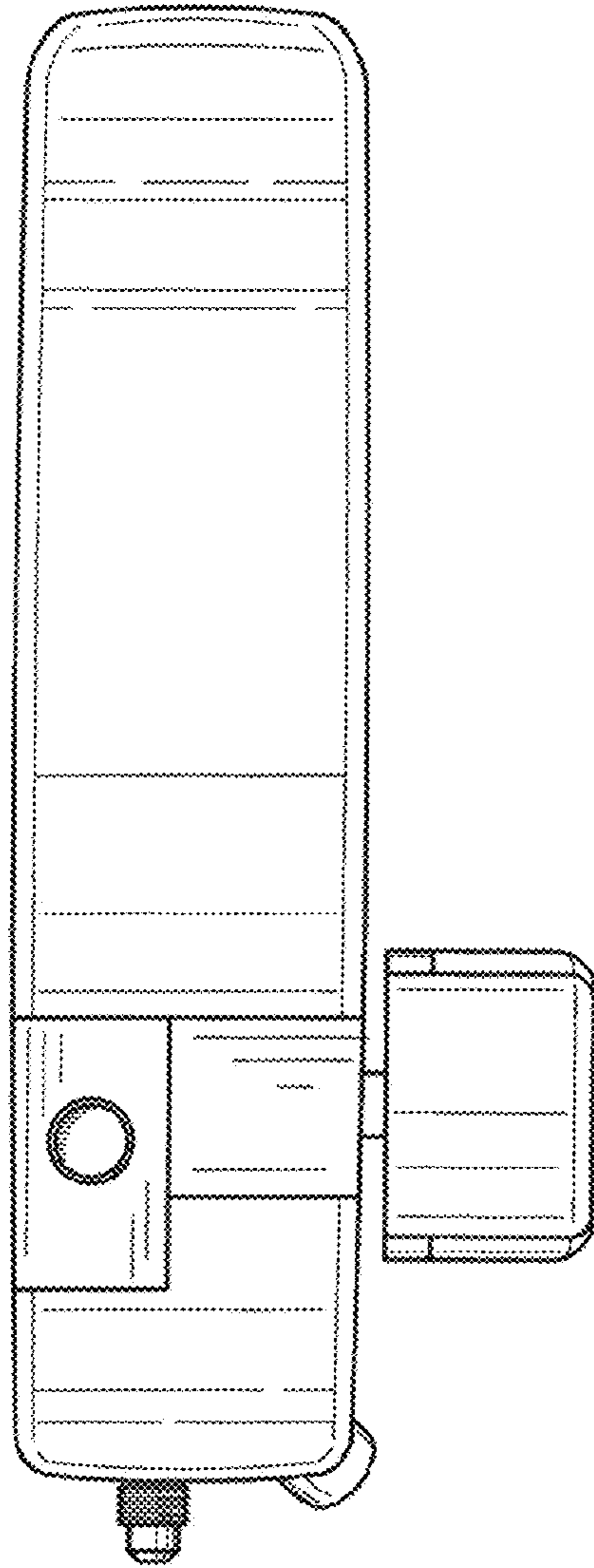


FIG. 5

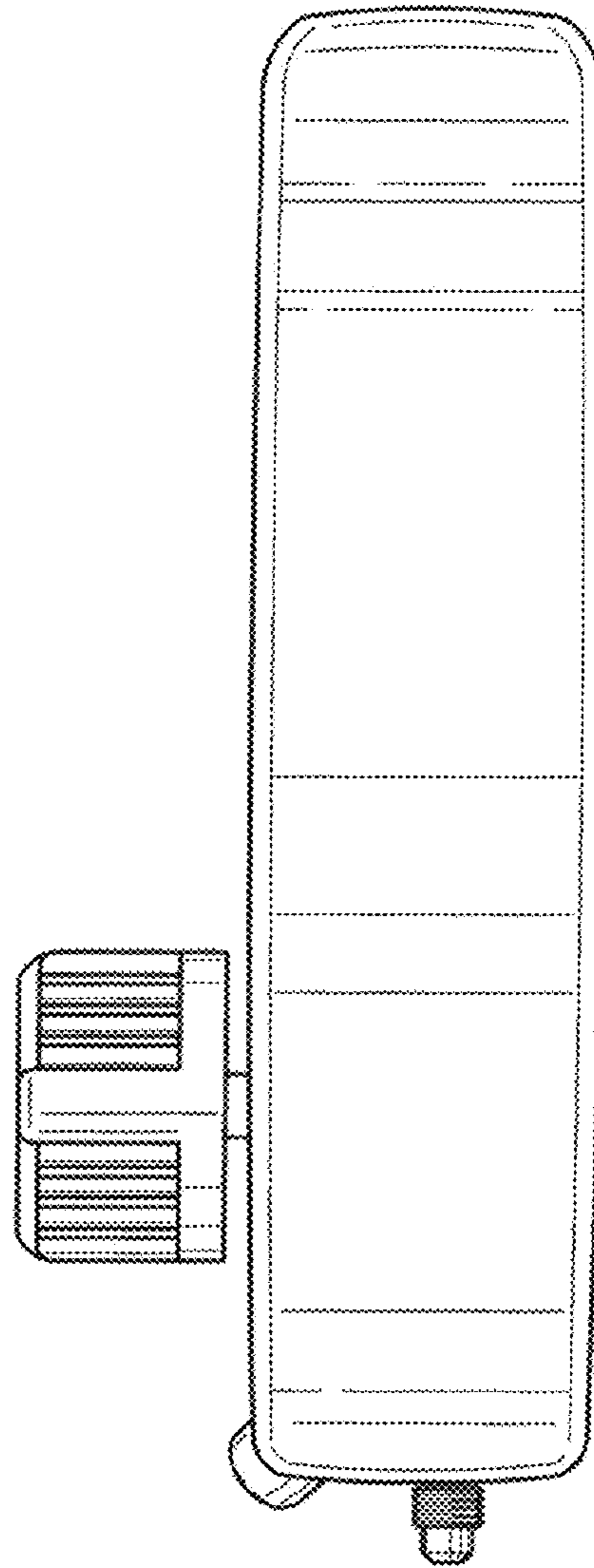


FIG. 6