

US00D709393S

(12) **United States Design Patent**
Lee

(10) **Patent No.:** **US D709,393 S**
(45) **Date of Patent:** **** Jul. 22, 2014**

(54) **TORQUE INDICATOR**

(71) Applicant: **Sunheng Technology Co., Ltd.,**
Taichung (TW)

(72) Inventor: **Barry Lee, Taichung (TW)**

(73) Assignee: **Sunheng Technology Co., Ltd.,**
Taichung (TW)

(**) Term: **14 Years**

(21) Appl. No.: **29/445,481**

(22) Filed: **Feb. 12, 2013**

(51) **LOC (10) Cl.** **10-04**

(52) **U.S. Cl.**
USPC **D10/83**

(58) **Field of Classification Search**
USPC D10/83-85; 73/862.21-862.23;
81/57.39, 467-469, 479, 483
See application file for complete search history.

(56) **References Cited**

U.S. PATENT DOCUMENTS

4,802,540 A * 2/1989 Grabovac et al. 177/211
D551,998 S * 10/2007 Hirai et al. D10/85
7,320,254 B1 * 1/2008 Martin 73/862.21

D630,956 S * 1/2011 Wang D10/83
D630,957 S * 1/2011 Hsieh D10/83
8,096,211 B2 * 1/2012 Cho et al. 81/57.39
8,215,187 B2 * 7/2012 Chen 73/862.21
8,272,301 B2 * 9/2012 Huang 81/479
D696,149 S * 12/2013 McCracken D10/103
2012/0006161 A1 * 1/2012 Chen 81/479

* cited by examiner

Primary Examiner — Antoine D Davis

(74) *Attorney, Agent, or Firm* — Muncy, Geissler, Olds & Lowe, P.C.

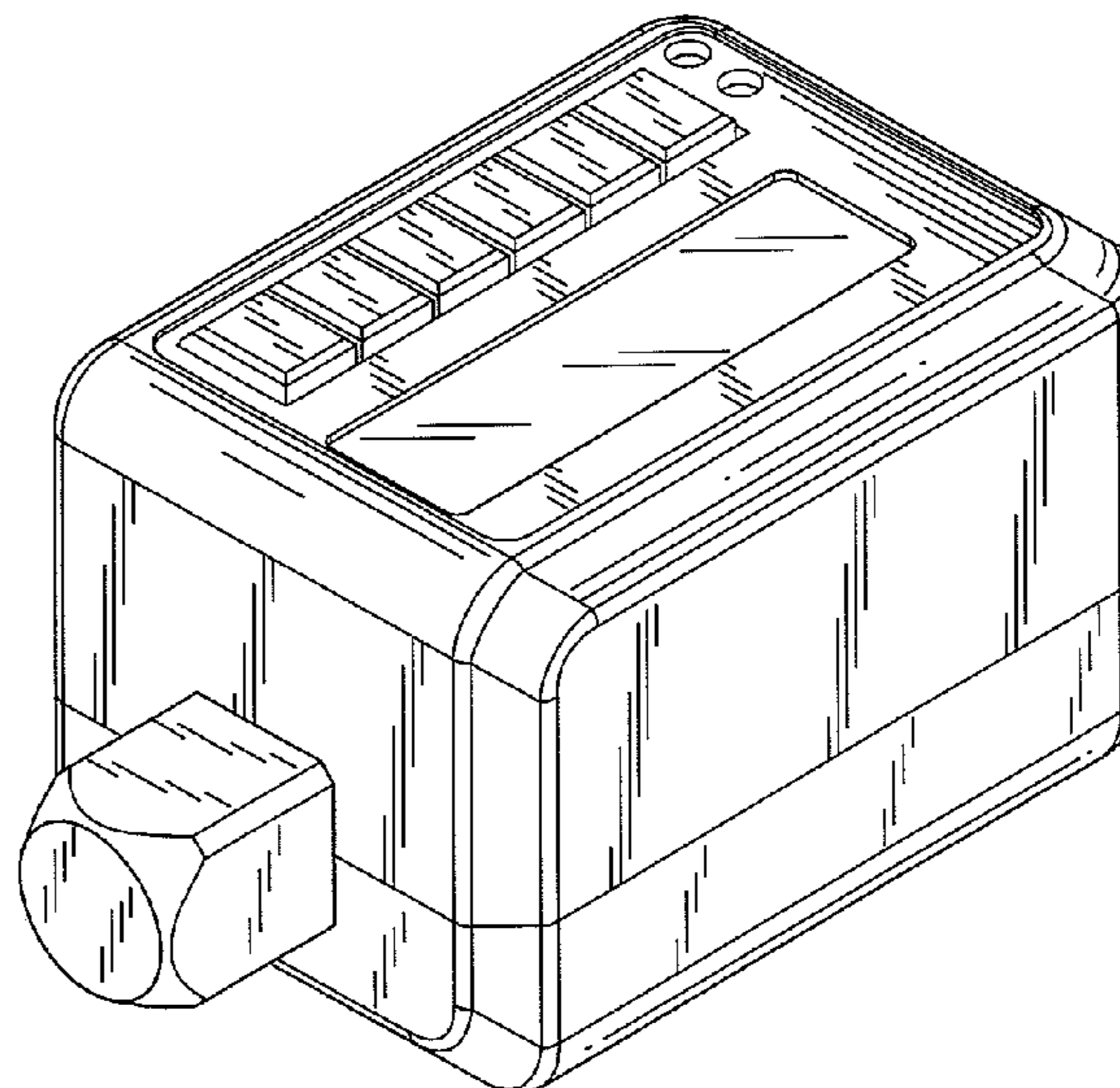
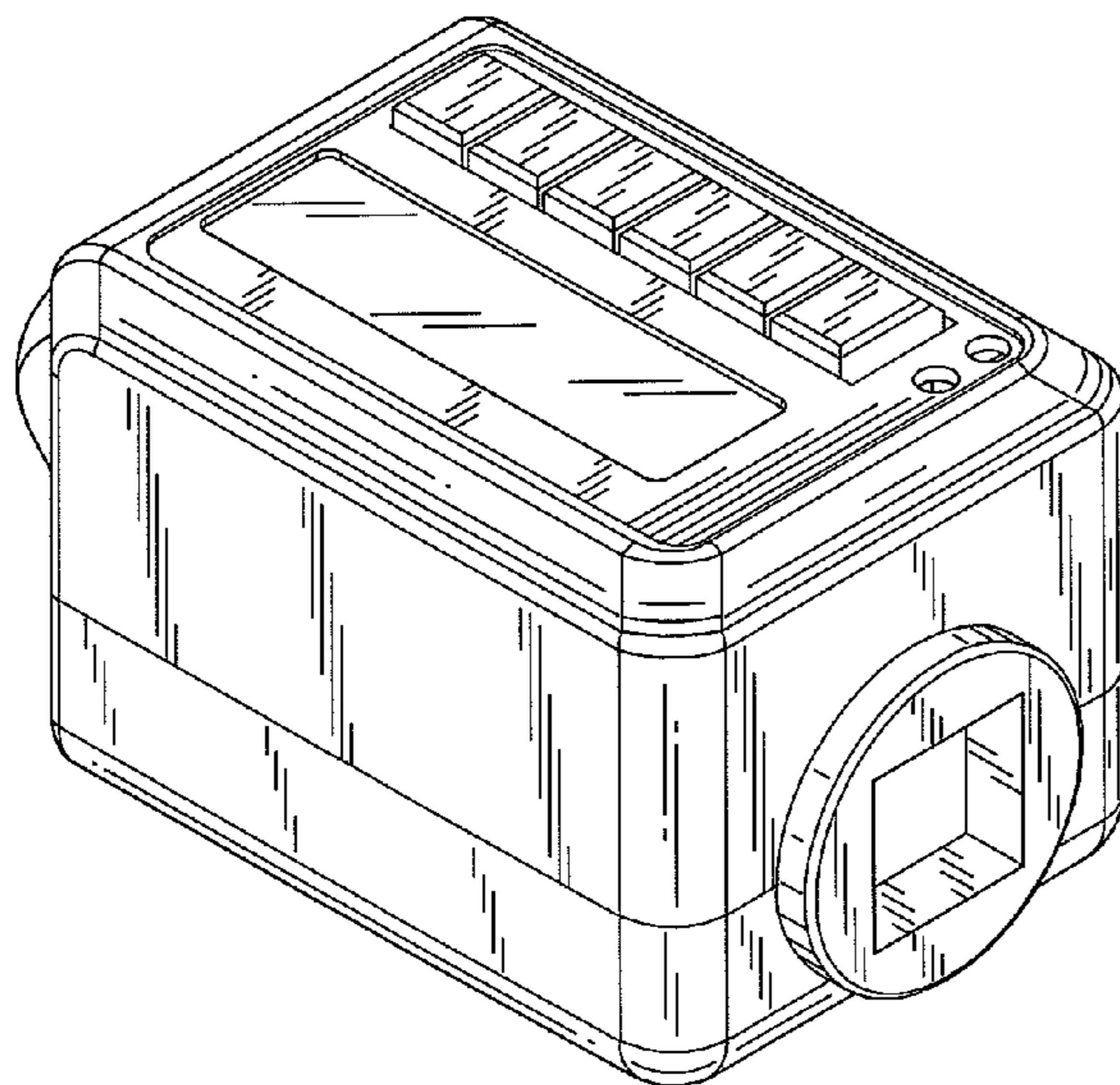
(57) **CLAIM**

The ornamental design for a torque indicator, as shown and described.

DESCRIPTION

FIG. 1 is a right, front perspective view of a torque indicator showing my new design;
FIG. 2 is a front elevational view thereof;
FIG. 3 is a rear elevational view thereof;
FIG. 4 is a left side view thereof;
FIG. 5 is a right side view thereof;
FIG. 6 is a top plan view thereof;
FIG. 7 is a bottom plan view thereof; and,
FIG. 8 is a left, front perspective view of the torque indicator.

1 Claim, 5 Drawing Sheets



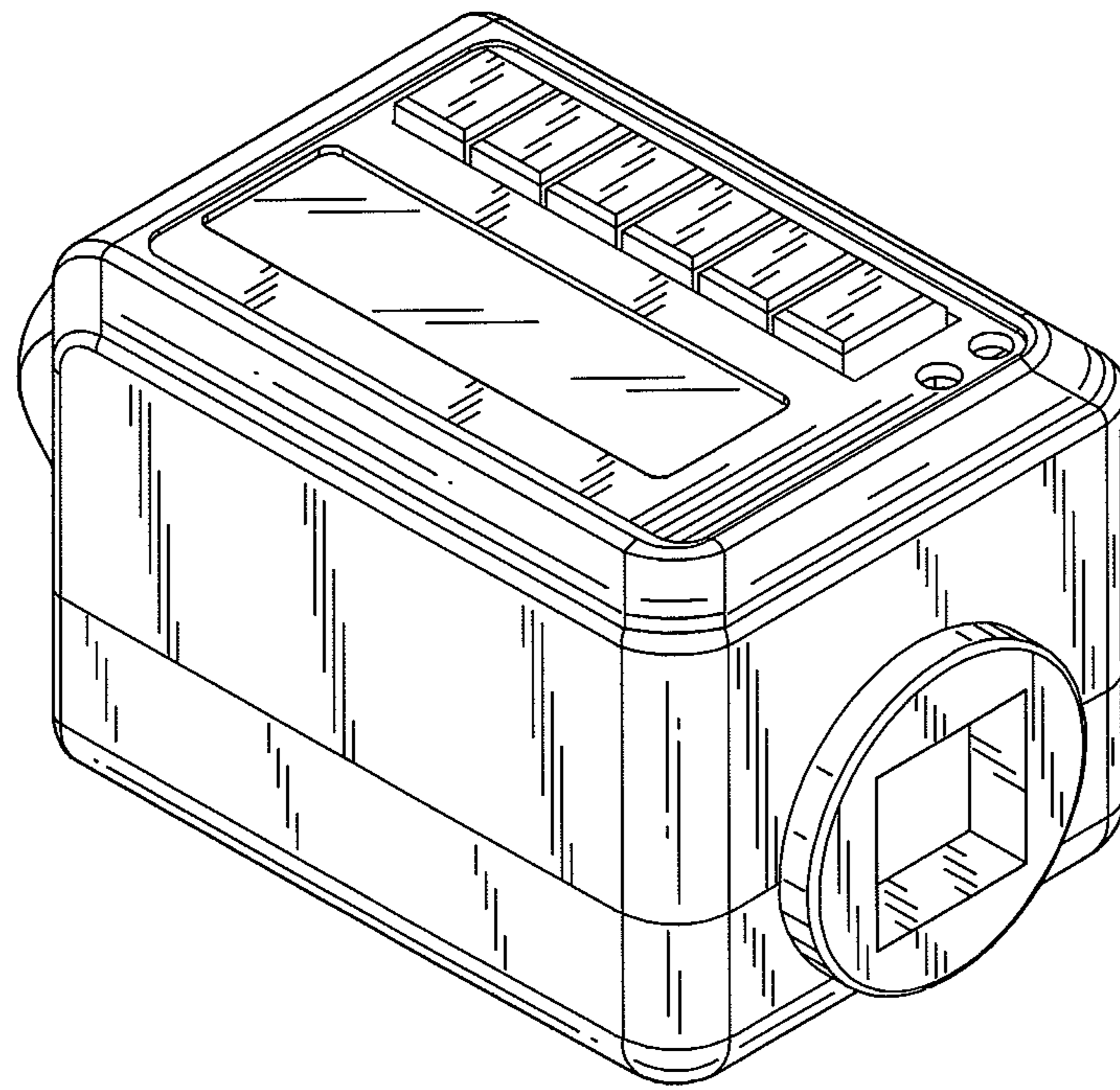


FIG. 1

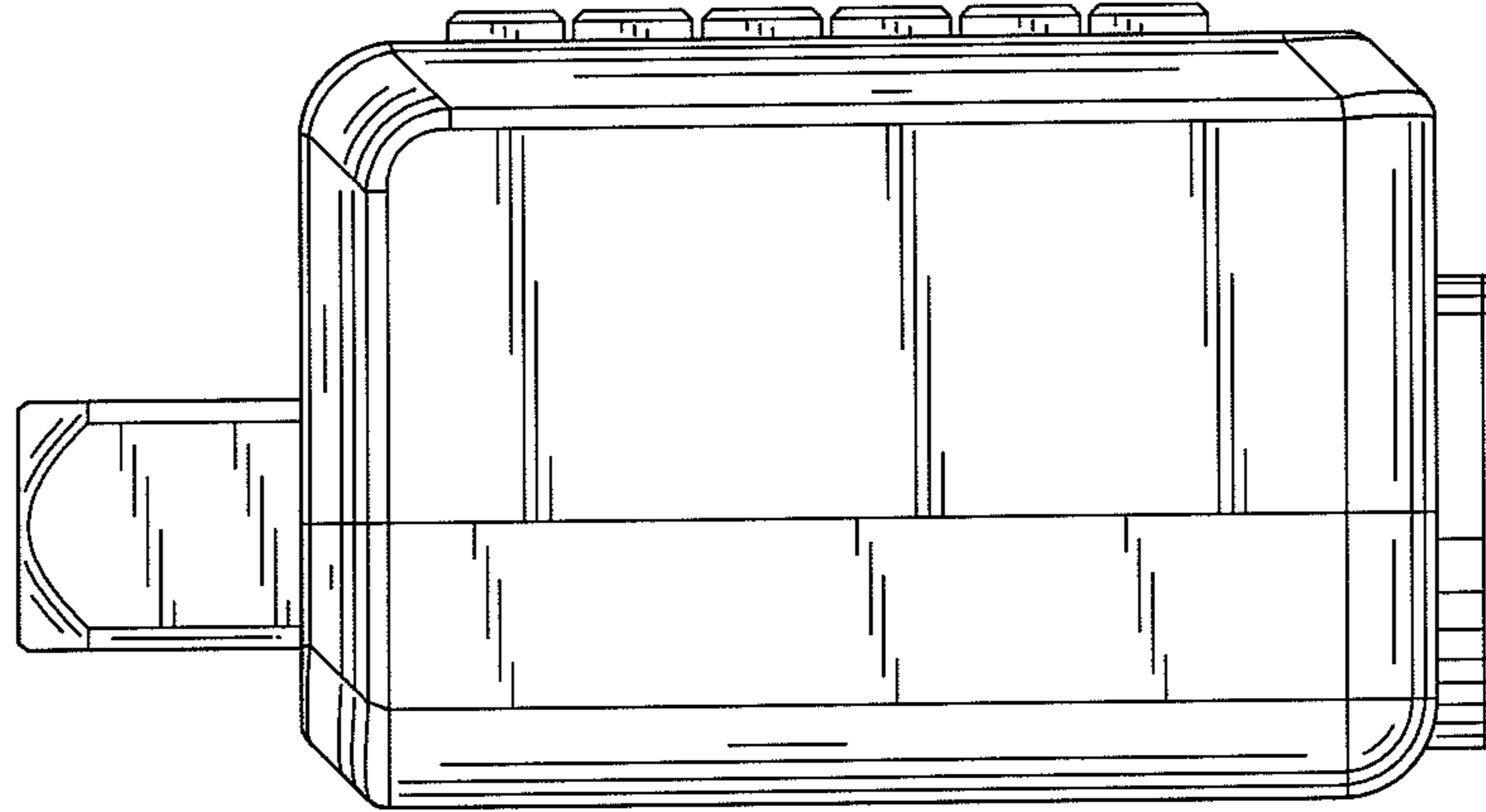


FIG. 2

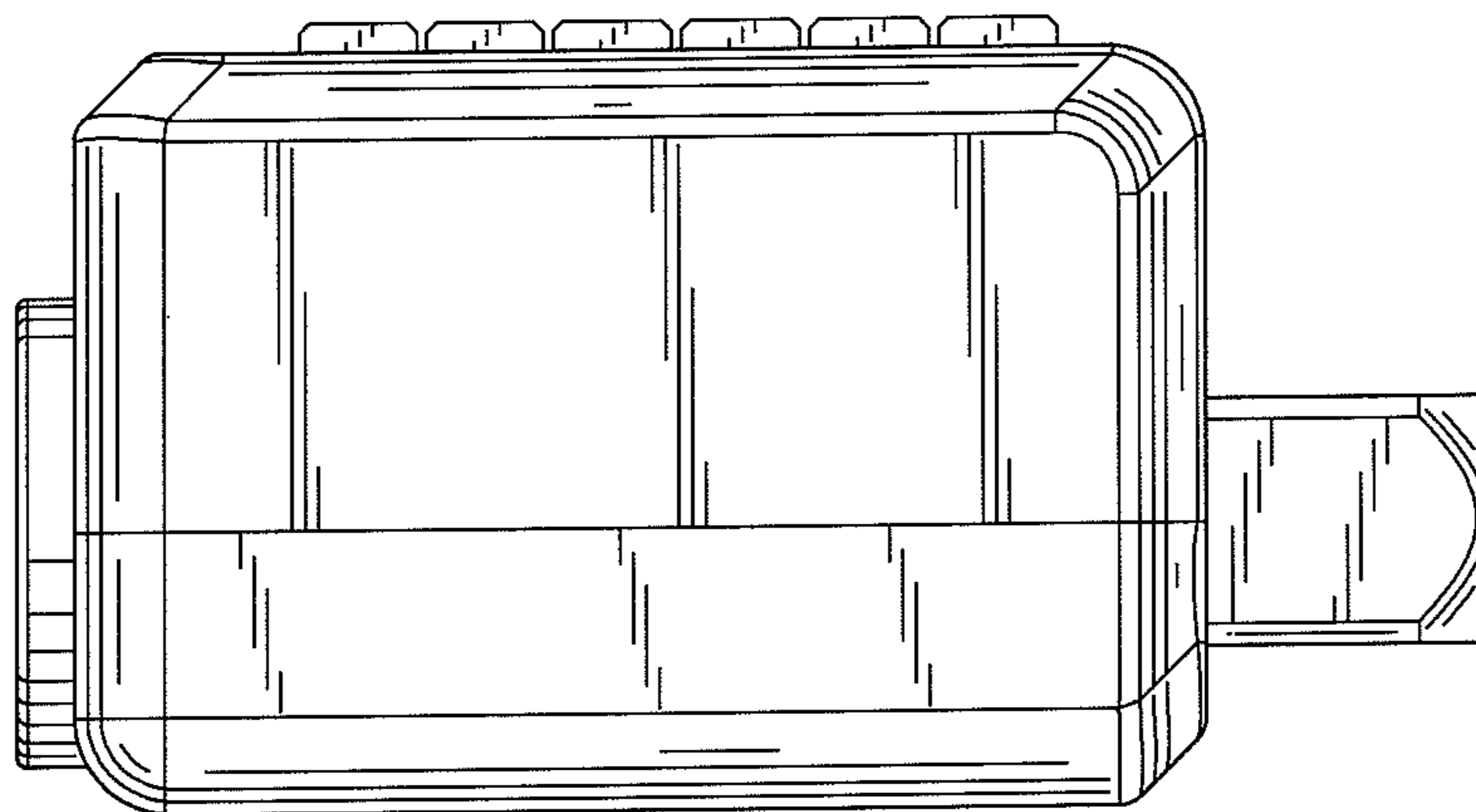


FIG. 3

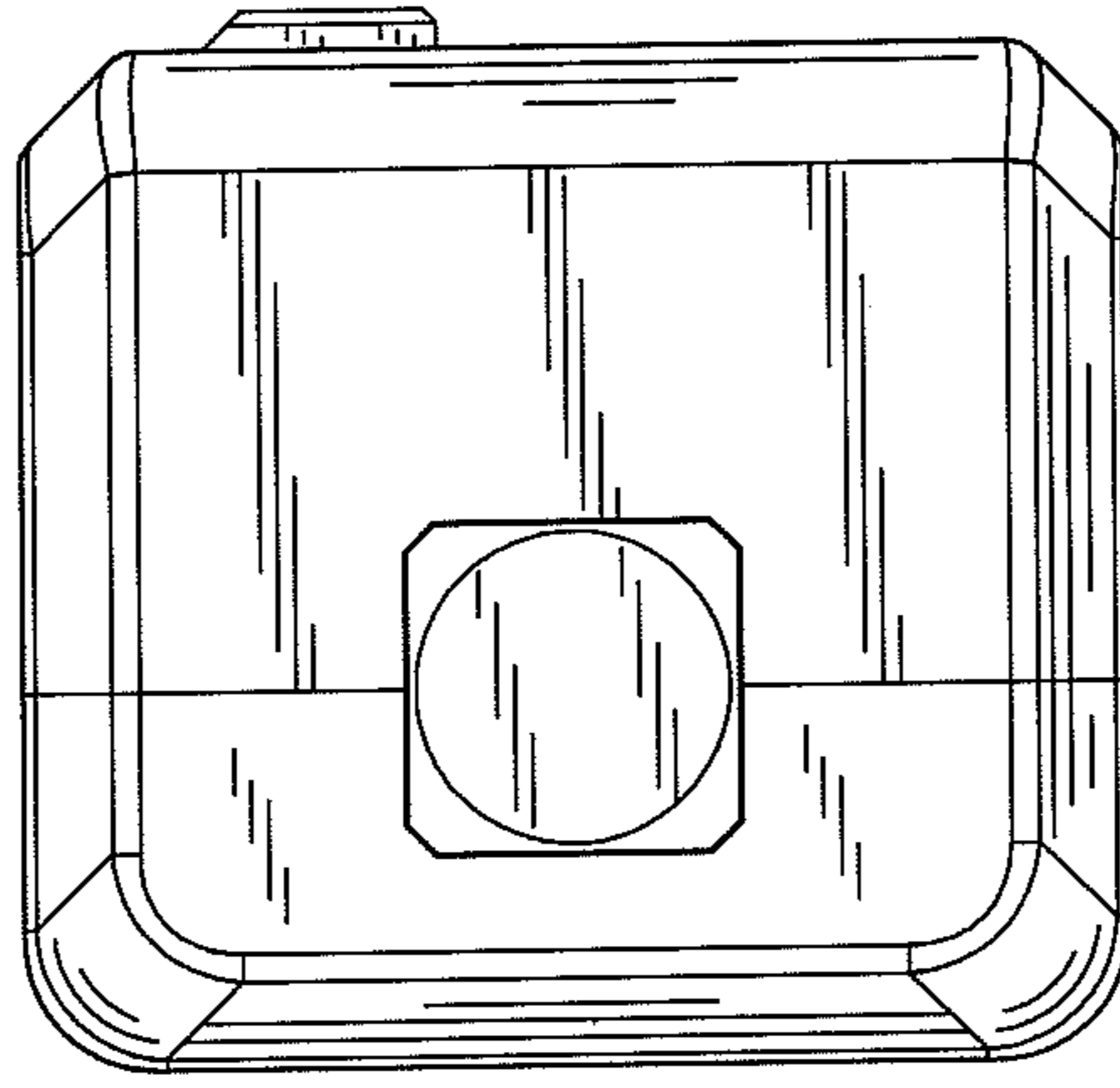


FIG. 4

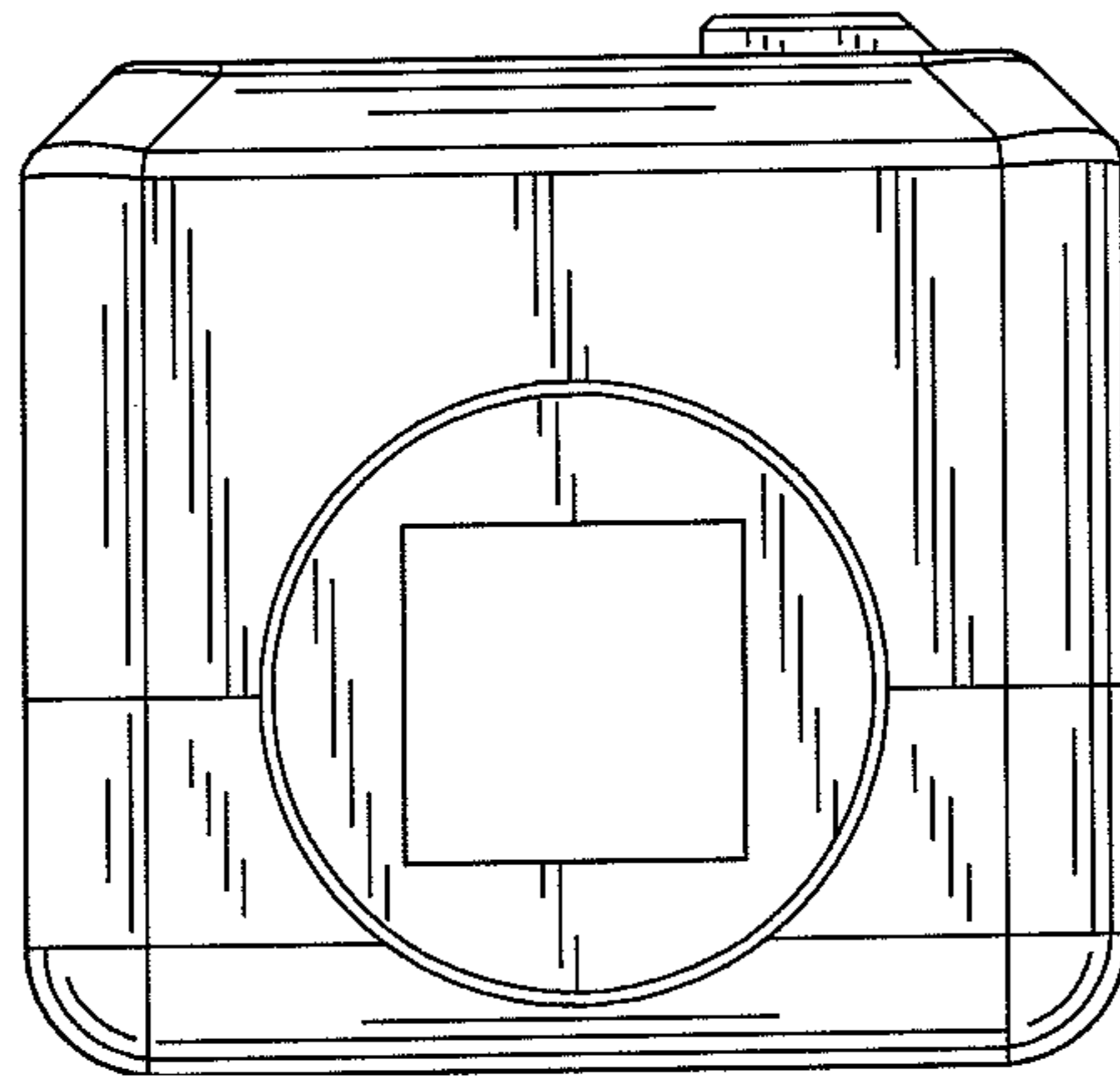


FIG. 5

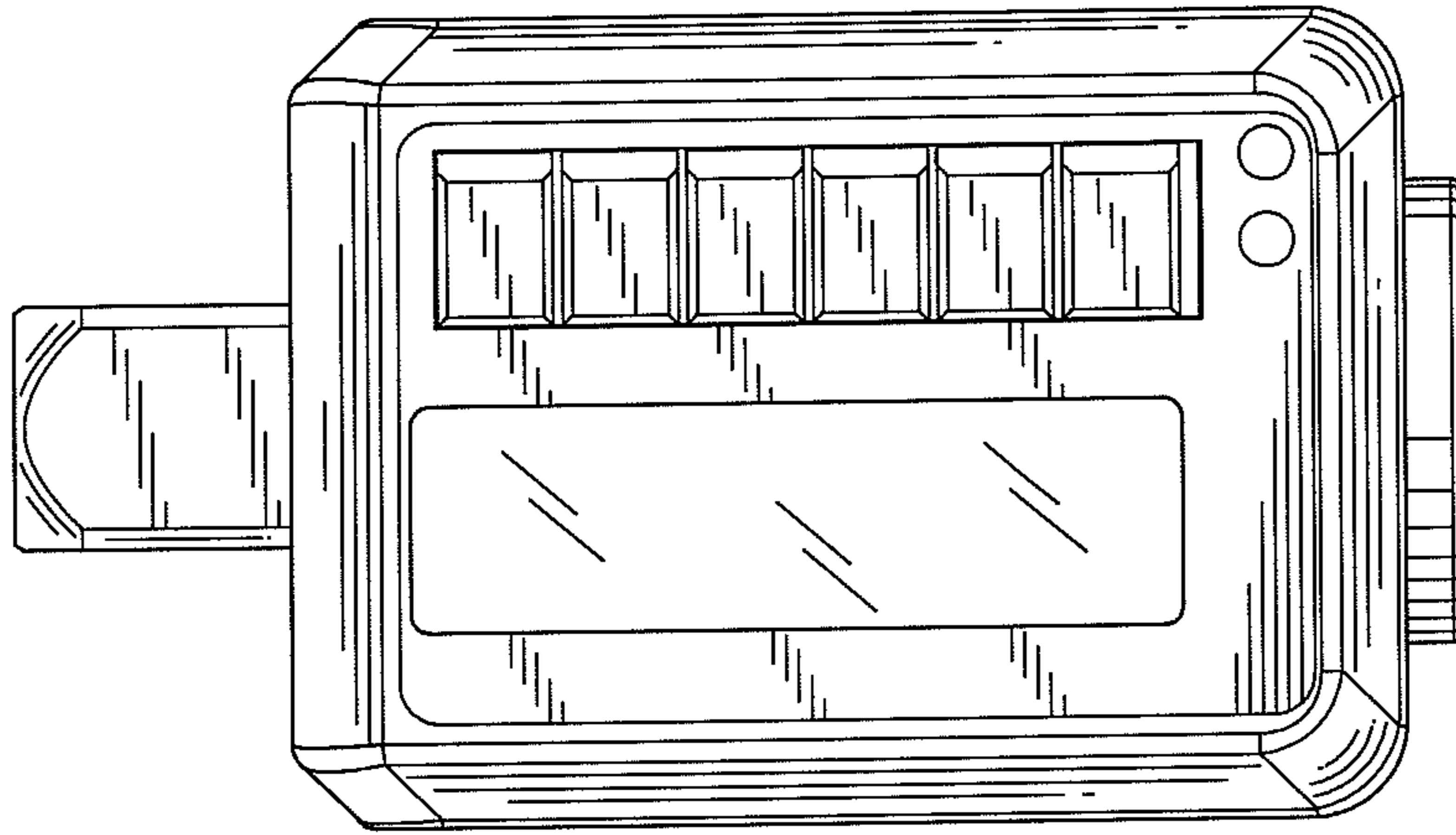


FIG. 6

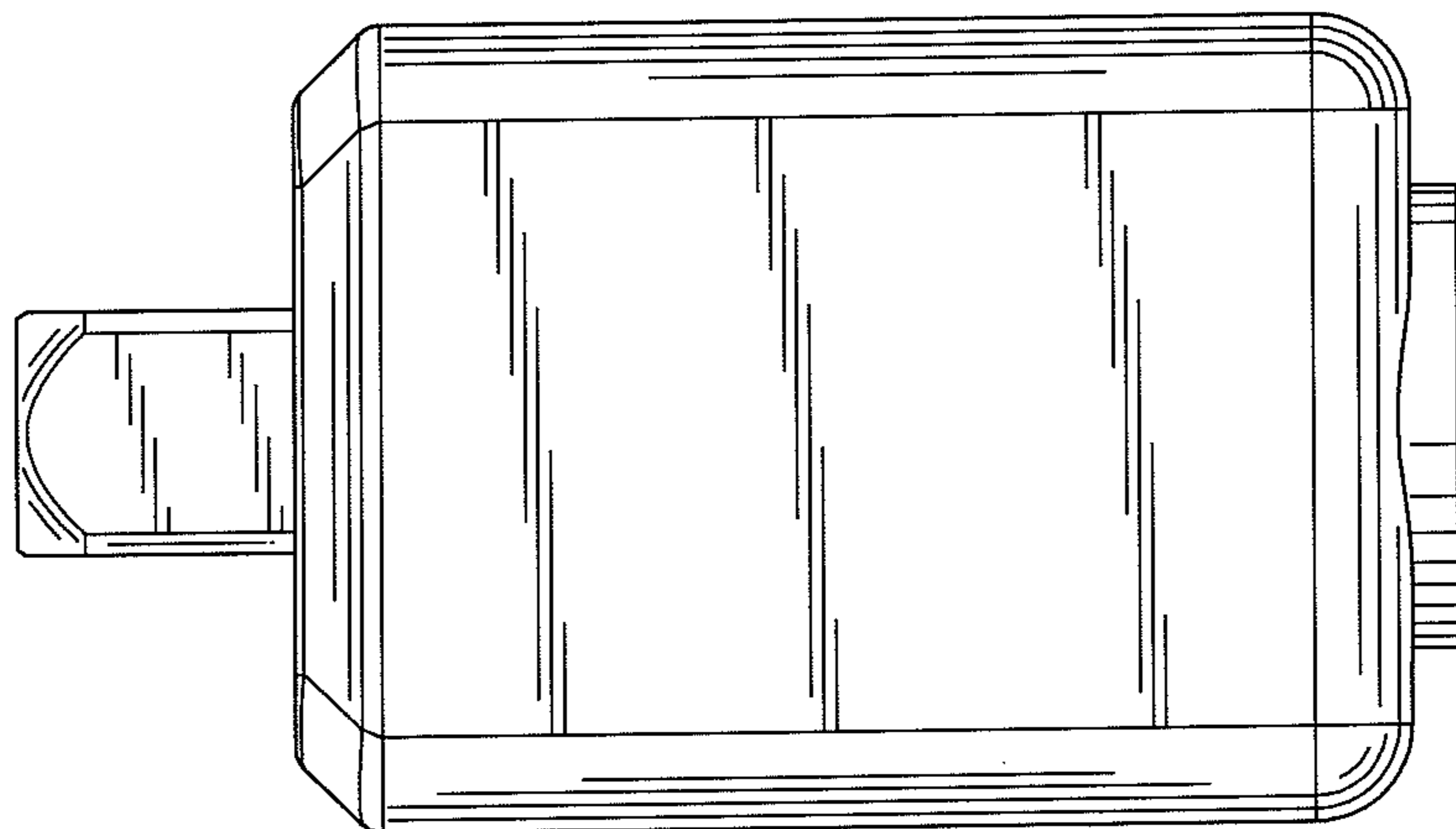


FIG. 7

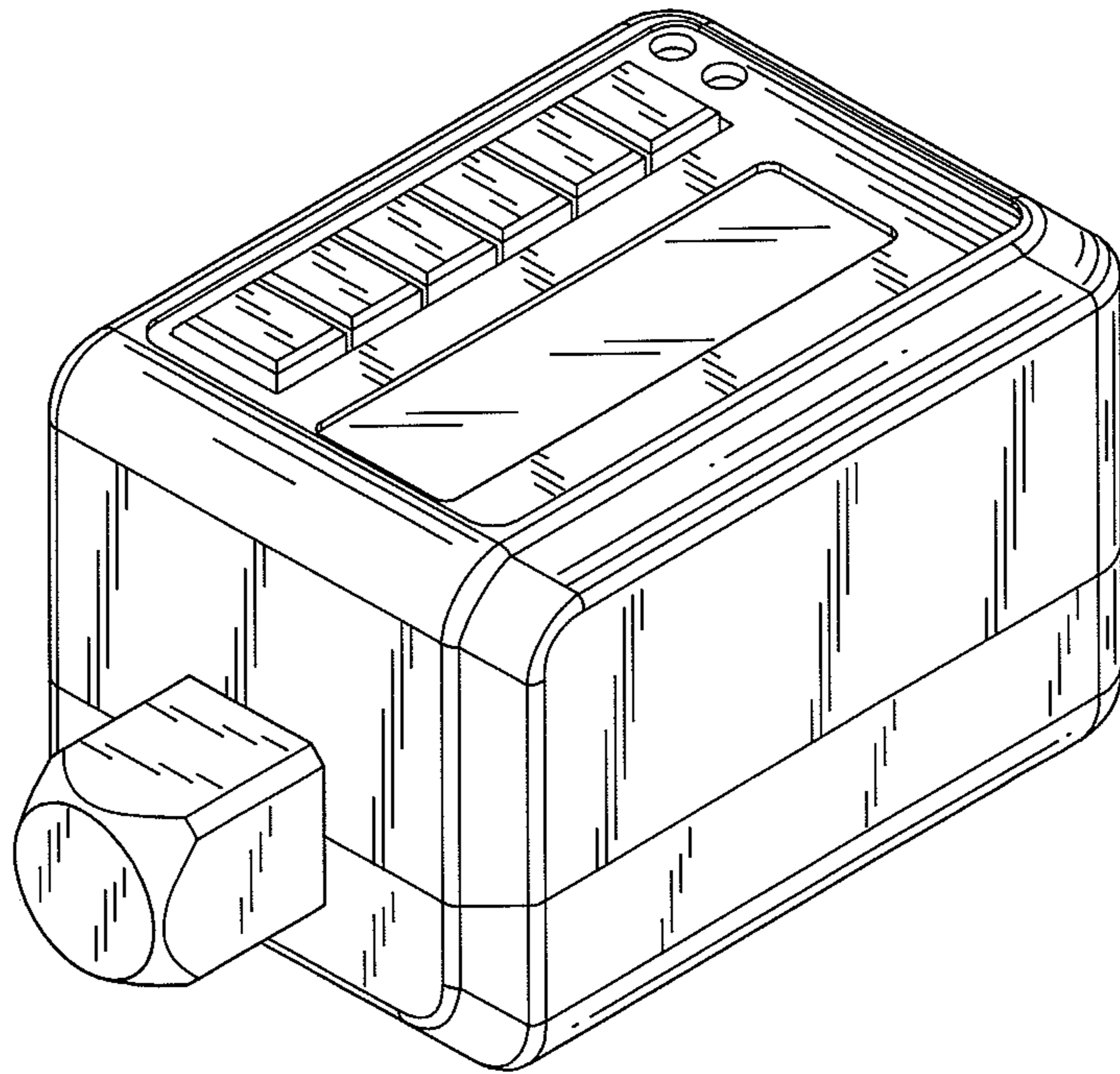


FIG. 8