



US00D709378S

(12) **United States Design Patent**  
**Perez-Cabrera**

(10) **Patent No.:** **US D709,378 S**  
(45) **Date of Patent:** **\*\* Jul. 22, 2014**

(54) **LIQUOR BOTTLE**

(71) Applicant: **Compania Vidriera, S.A. de C.V.**,  
Nuevo Leon (MX)

(72) Inventor: **Fernando Perez-Cabrera**, Jalisco (MX)

(73) Assignee: **Compania Vidriera, S.A. de C.V.**,  
Monterrey, N.L. (MX)

(\*\*) Term: **14 Years**

(21) Appl. No.: **29/464,778**

(22) Filed: **Aug. 21, 2013**

(51) **LOC (10) Cl.** ..... **09-01**

(52) **U.S. Cl.**

USPC ..... **D9/523**; D9/544; D9/572; D9/575

(58) **Field of Classification Search**

CPC ..... B65D 1/00; B65D 1/02; B65D 1/0223;  
B65D 1/40; B65D 23/00; B65D 2501/00;  
B65D 2501/0009; B65D 2501/0081

USPC ..... D9/516, 523, 543-546, 572, 575, 682,  
D9/686-687, 694; D7/300; D28/91.1;  
215/379, 382; 220/660, 669

See application file for complete search history.

(56) **References Cited**

**U.S. PATENT DOCUMENTS**

D94,703 S \* 2/1935 McLaughlin ..... D9/542  
D285,053 S \* 8/1986 Marchetti ..... D9/544

D353,097 S \* 12/1994 Weiss ..... D9/529  
D353,774 S \* 12/1994 Weiss ..... D9/529  
D358,993 S \* 6/1995 Hot ..... D9/570  
D369,560 S \* 5/1996 Heinz ..... D9/572  
D415,689 S \* 10/1999 Voight et al. .... D9/543  
D519,383 S \* 4/2006 Stolle ..... D9/565  
D579,783 S \* 11/2008 Katcher ..... D9/546  
D586,656 S \* 2/2009 Mount ..... D9/523  
D607,339 S \* 1/2010 Sanborn et al. .... D9/542  
D619,465 S \* 7/2010 Synder ..... D9/522  
D619,466 S \* 7/2010 Synder ..... D9/522

\* cited by examiner

*Primary Examiner* — Ian Simmons

*Assistant Examiner* — Dana L Meyrow

(74) *Attorney, Agent, or Firm* — Abelman, Frayne & Schwab

(57) **CLAIM**

The ornamental design for a liquor bottle, as shown and described.

**DESCRIPTION**

FIG. 1 is a front, side and top perspective view of my new liquor bottle design;

FIG. 2 is a top plan view thereof;

FIG. 3 is a rear elevational view thereof;

FIG. 4 is a left-side elevational view thereof;

FIG. 5 is a right-side elevational view thereof; and,

FIG. 6 is a bottom plan view thereof.

The broken lines in the drawings illustrate the portions of the design that form no part of the claim.

**1 Claim, 6 Drawing Sheets**

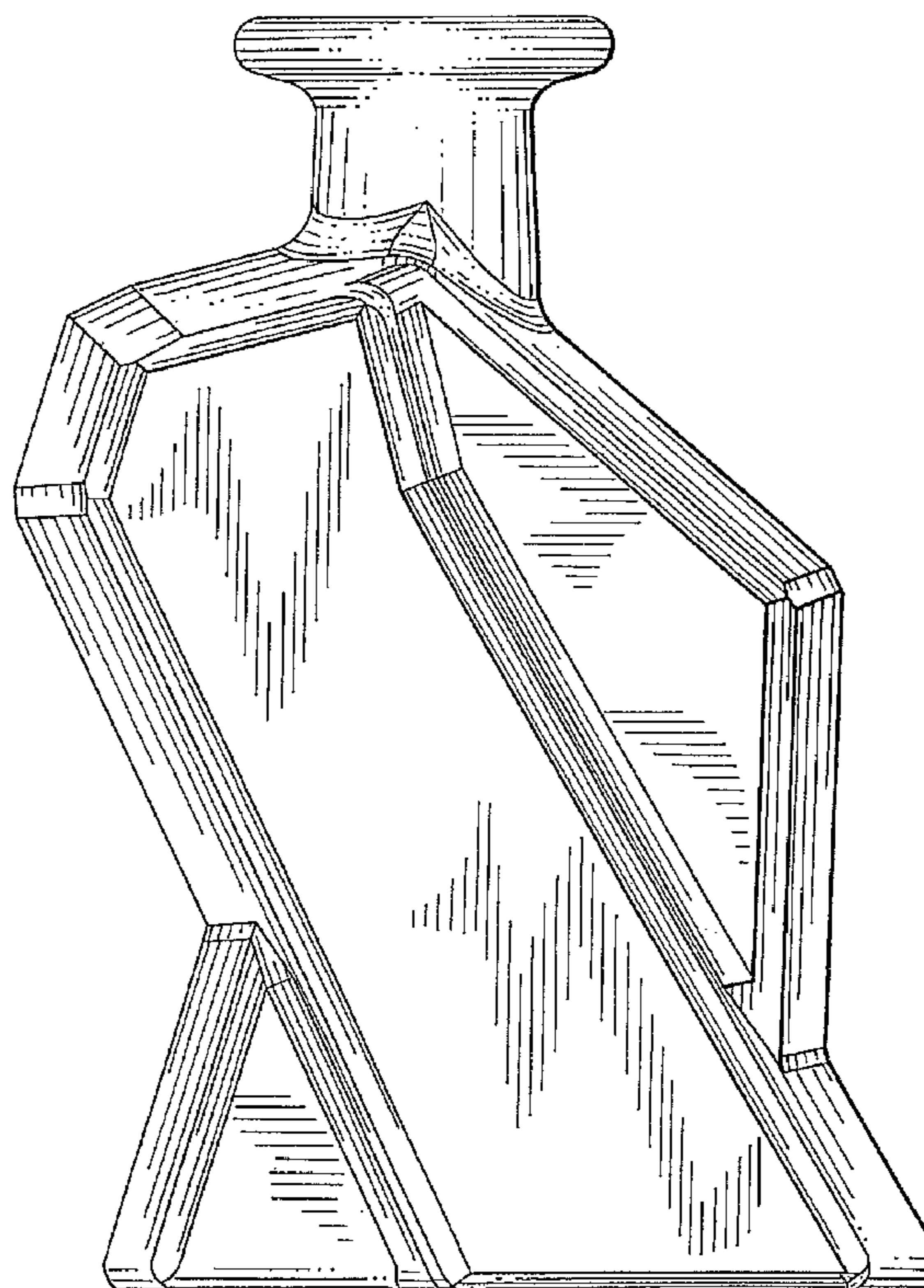
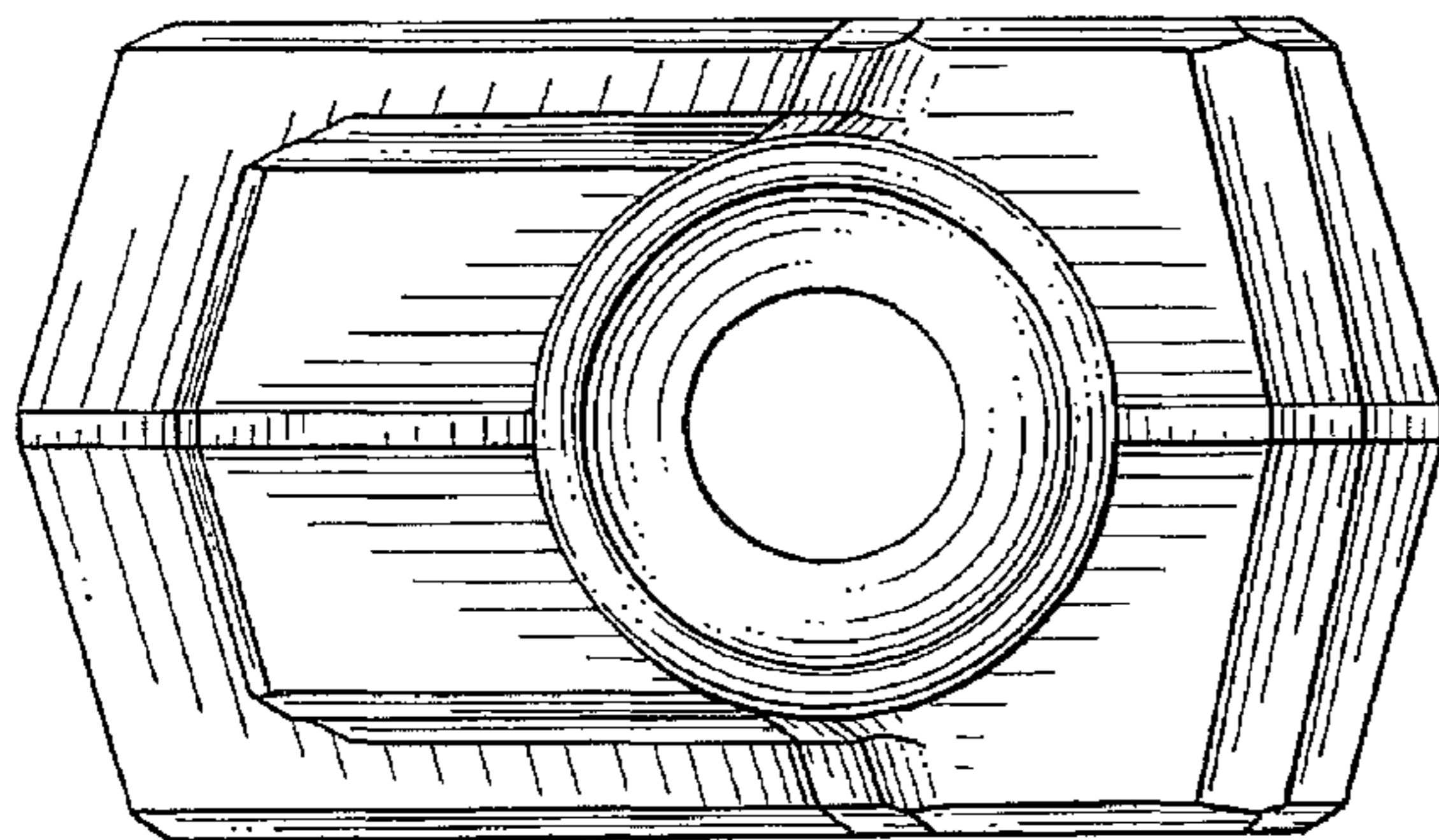
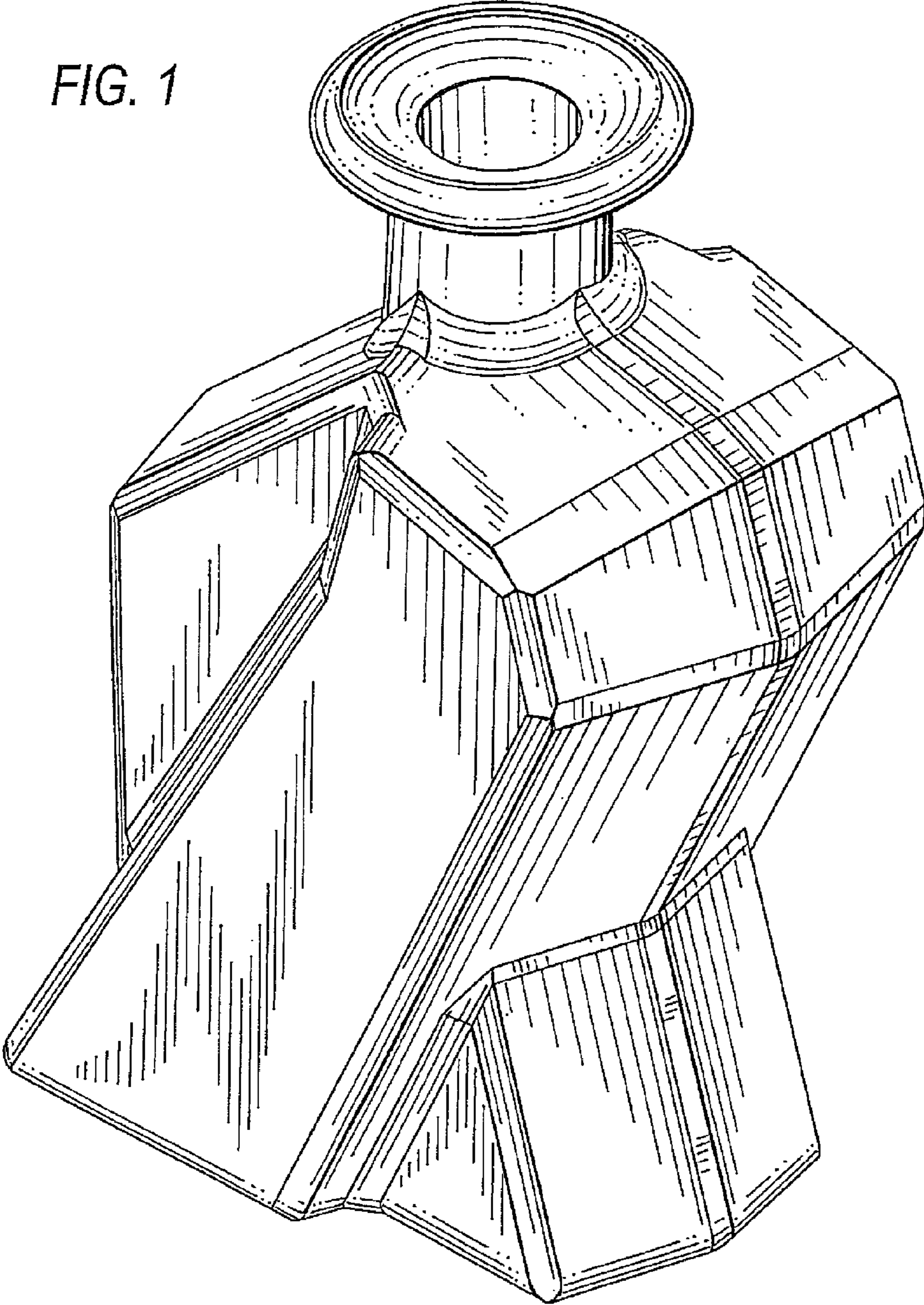


FIG. 1



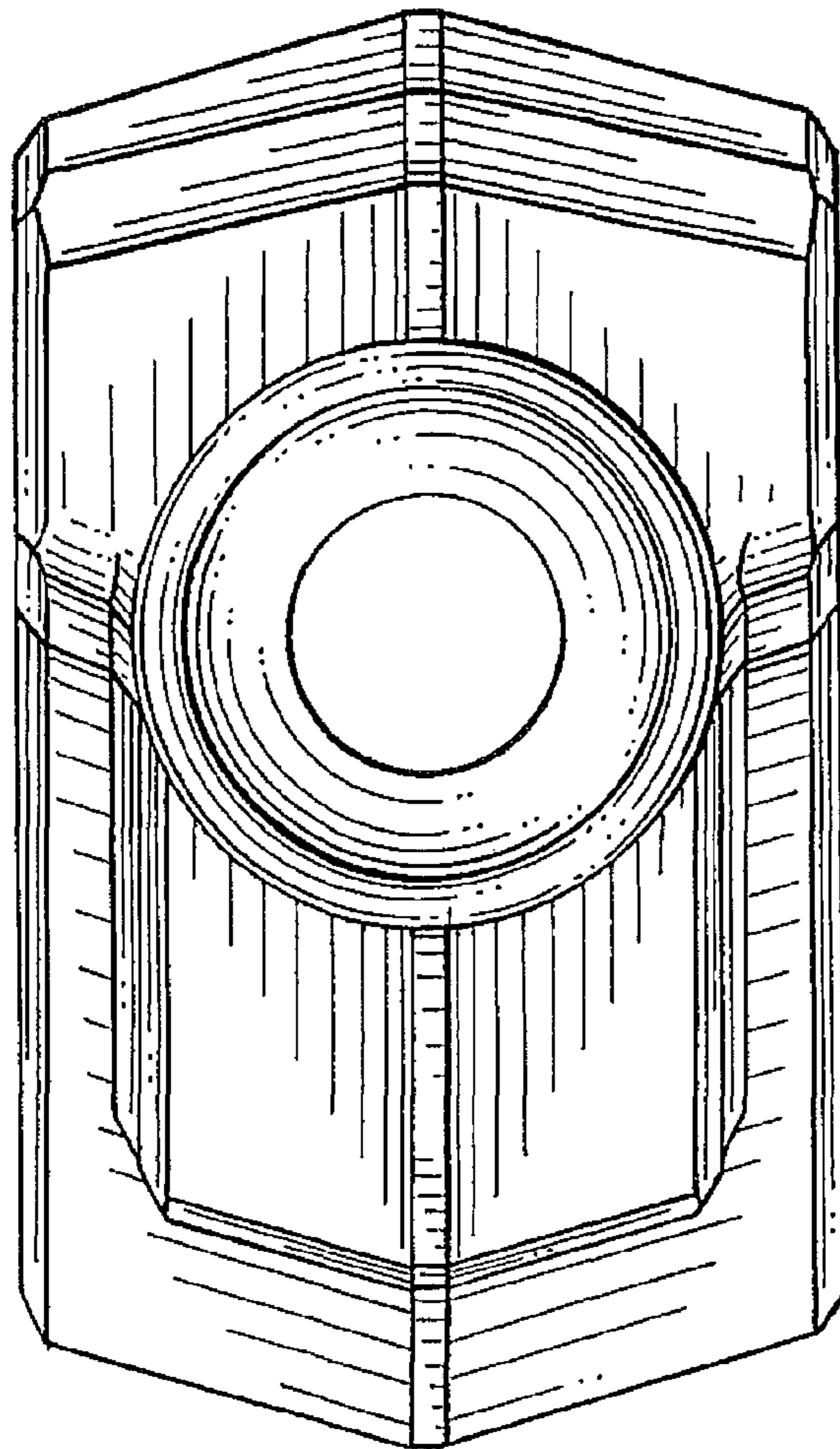


FIG. 2

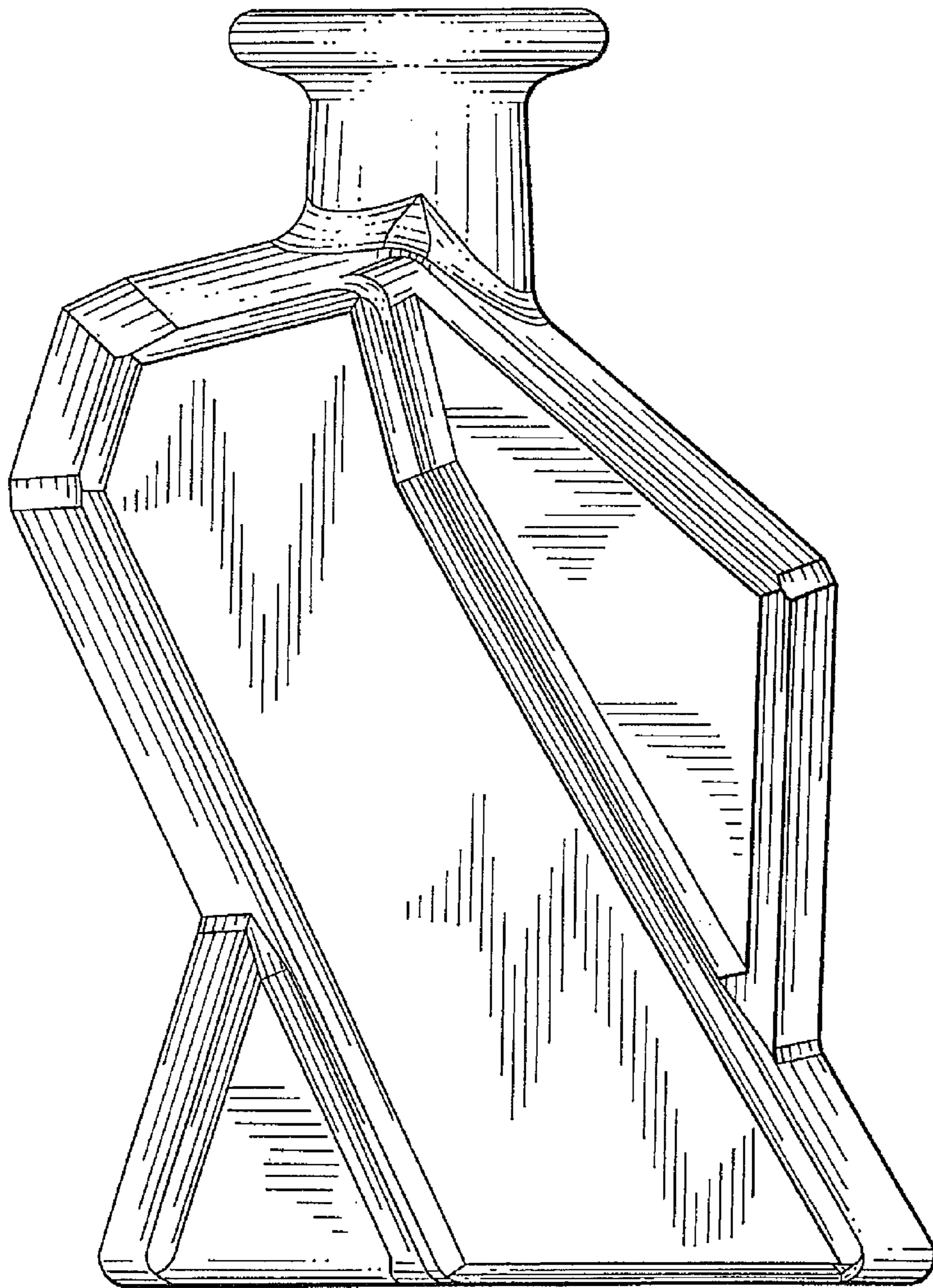


FIG. 3

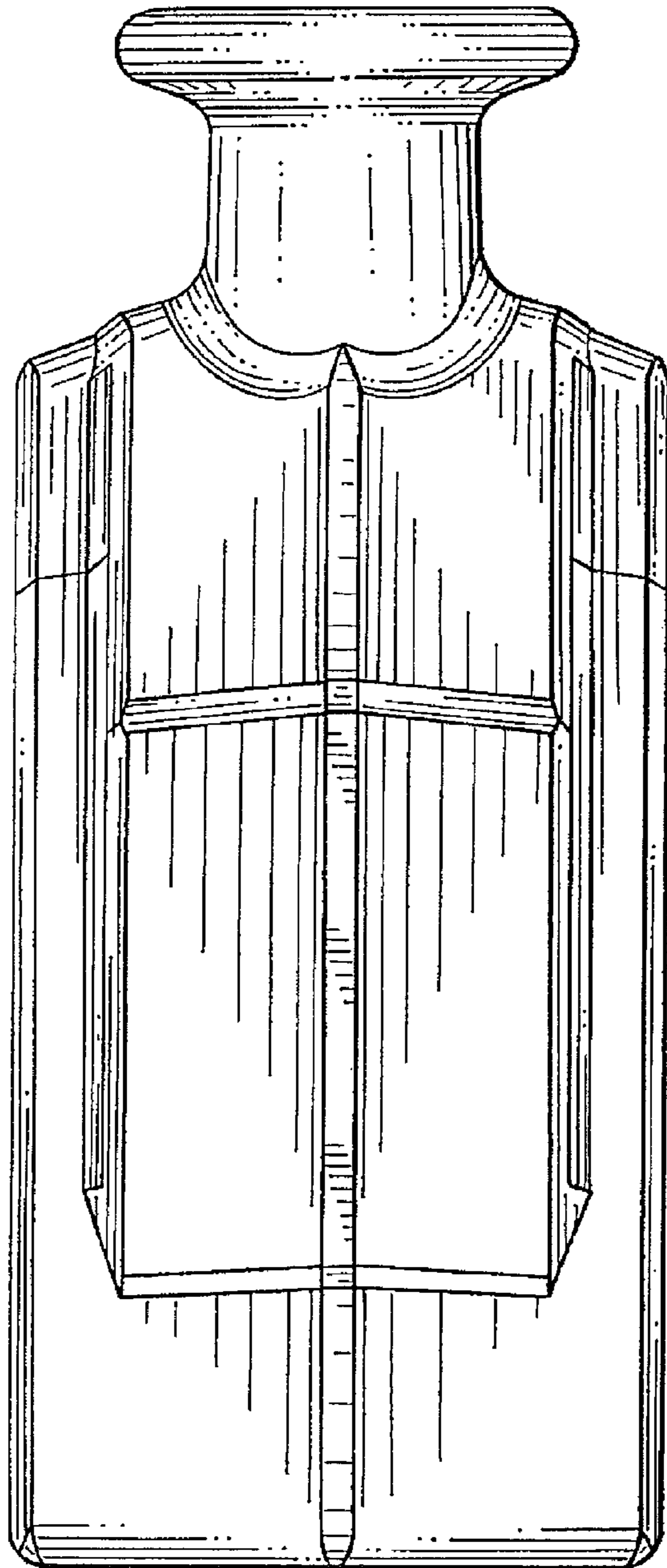
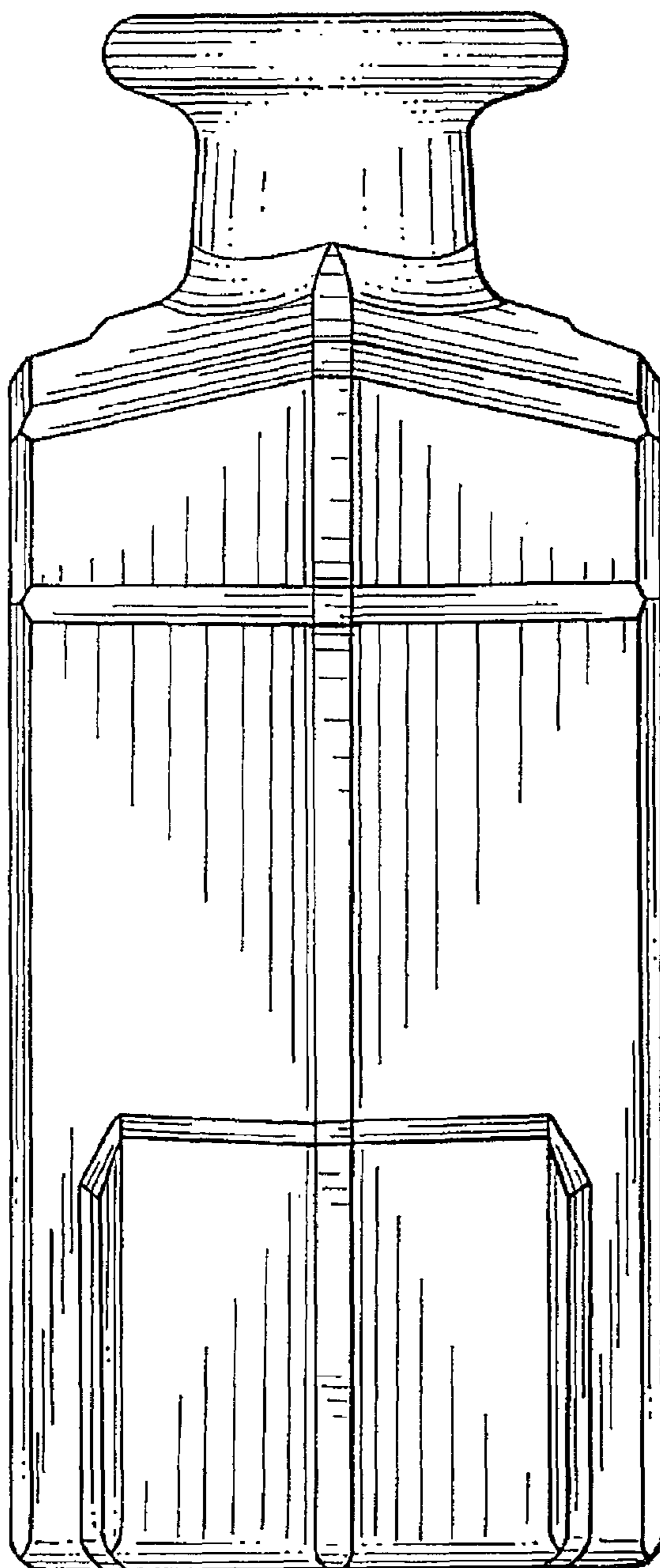


FIG. 4

FIG. 5



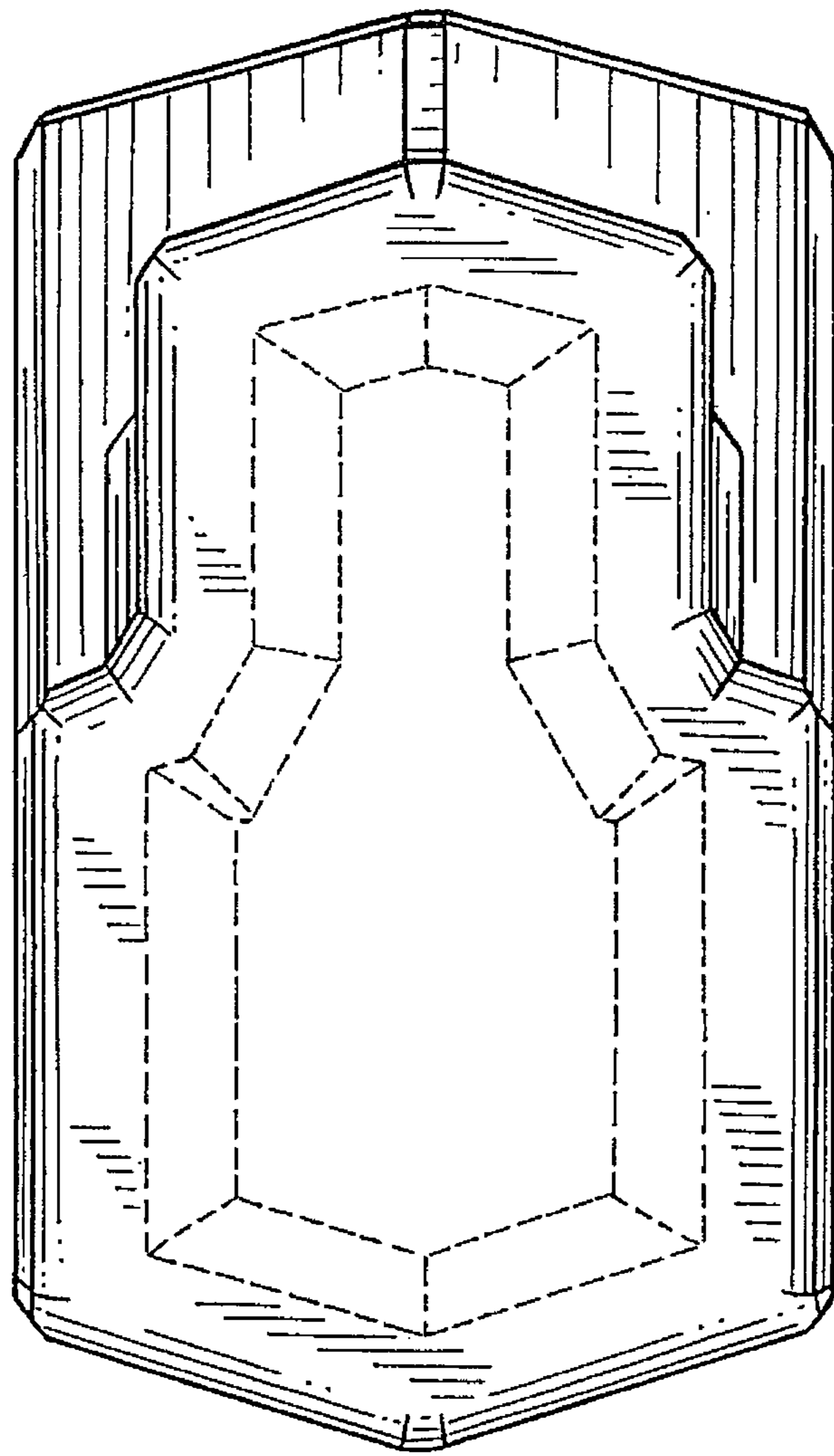


FIG. 6

UNITED STATES PATENT AND TRADEMARK OFFICE  
**CERTIFICATE OF CORRECTION**

PATENT NO. : D709,378 S  
APPLICATION NO. : 29/464778  
DATED : July 22, 2014  
INVENTOR(S) : Fernando Perez-Cabrera

Page 1 of 1

It is certified that error appears in the above-identified patent and that said Letters Patent is hereby corrected as shown below:

On the title page, insert

item --(30) Foreign Application Priority Data  
May 9, 2013 (MX) Mx/f/2013/001228--

Signed and Sealed this  
Twenty-first Day of October, 2014



Michelle K. Lee  
*Deputy Director of the United States Patent and Trademark Office*