



US00D709375S

(12) **United States Design Patent**  
**Smith**

(10) **Patent No.:** **US D709,375 S**  
(45) **Date of Patent:** **\*\* Jul. 22, 2014**

(54) **CARRIER PACKAGING**

(75) Inventor: **Daniel T. Smith**, Battle Creek, MI (US)

(73) Assignee: **Multi Packaging Solutions, Inc.**,  
Lansing, MI (US)

(\*\*) Term: **14 Years**

(21) Appl. No.: **29/426,874**

(22) Filed: **Jul. 11, 2012**

(51) **LOC (10) Cl.** ..... **09-07**

(52) **U.S. Cl.**  
USPC ..... **D9/455**

(58) **Field of Classification Search**  
USPC ..... D9/455, 456, 415, 434, 751, 753;  
D8/300, 395, 396; 206/142, 151, 485,  
206/549, 563, 117.14, 423, 189, 200, 162,  
206/780; 229/115, 117.14, 117.15, 120.15  
See application file for complete search history.

(56) **References Cited**

**U.S. PATENT DOCUMENTS**

2,565,449	A	8/1951	Emrick	
3,820,657	A *	6/1974	Klygis	206/166
4,155,502	A *	5/1979	Forte	294/146
4,184,595	A	1/1980	Wackerman	
5,127,519	A *	7/1992	Tsao	206/142
5,957,276	A *	9/1999	Cutler et al.	206/194
6,298,992	B1	10/2001	Tsao	
D461,713	S *	8/2002	Foreman	D9/434
D462,904	S *	9/2002	Mellon et al.	D9/434
6,615,985	B1 *	9/2003	Foreman	206/485
6,834,762	B2	12/2004	Krisko et al.	
8,083,126	B2 *	12/2011	Fleming et al.	229/117.14
8,087,511	B2 *	1/2012	Libit et al.	206/162
8,091,702	B1 *	1/2012	Keip	206/171
2005/0211578	A1	9/2005	Libit	
2008/0217207	A1	9/2008	Hall	
2011/0272299	A1 *	11/2011	Smith	206/175

**FOREIGN PATENT DOCUMENTS**

DE 44 33 489 A1 3/1996  
WO 2009/120829 A1 10/2009  
WO WO 2011140547 A1 \* 11/2011 ..... B65D 71/48

**OTHER PUBLICATIONS**

International Search Report and Written Opinion for corresponding PCT Application No. US2011/035702 filed May 9, 2011, dated Jul. 26, 2011.  
International Preliminary Report on Patentability dated Nov. 22, 2012 for PCT/US2011/035702.

\* cited by examiner

*Primary Examiner* — Susan Bennett Hattan

*Assistant Examiner* — Marie F Fast Horse

(74) *Attorney, Agent, or Firm* — The Dobrusin Law Firm, PC

(57) **CLAIM**

The ornamental design for a carrier packaging, as shown and described.

**DESCRIPTION**

FIG. 1 is a perspective view of an ornamental design for a carrier packaging in a condition of use.

FIG. 2 is a top-down view of the embodiment shown in FIG. 1.

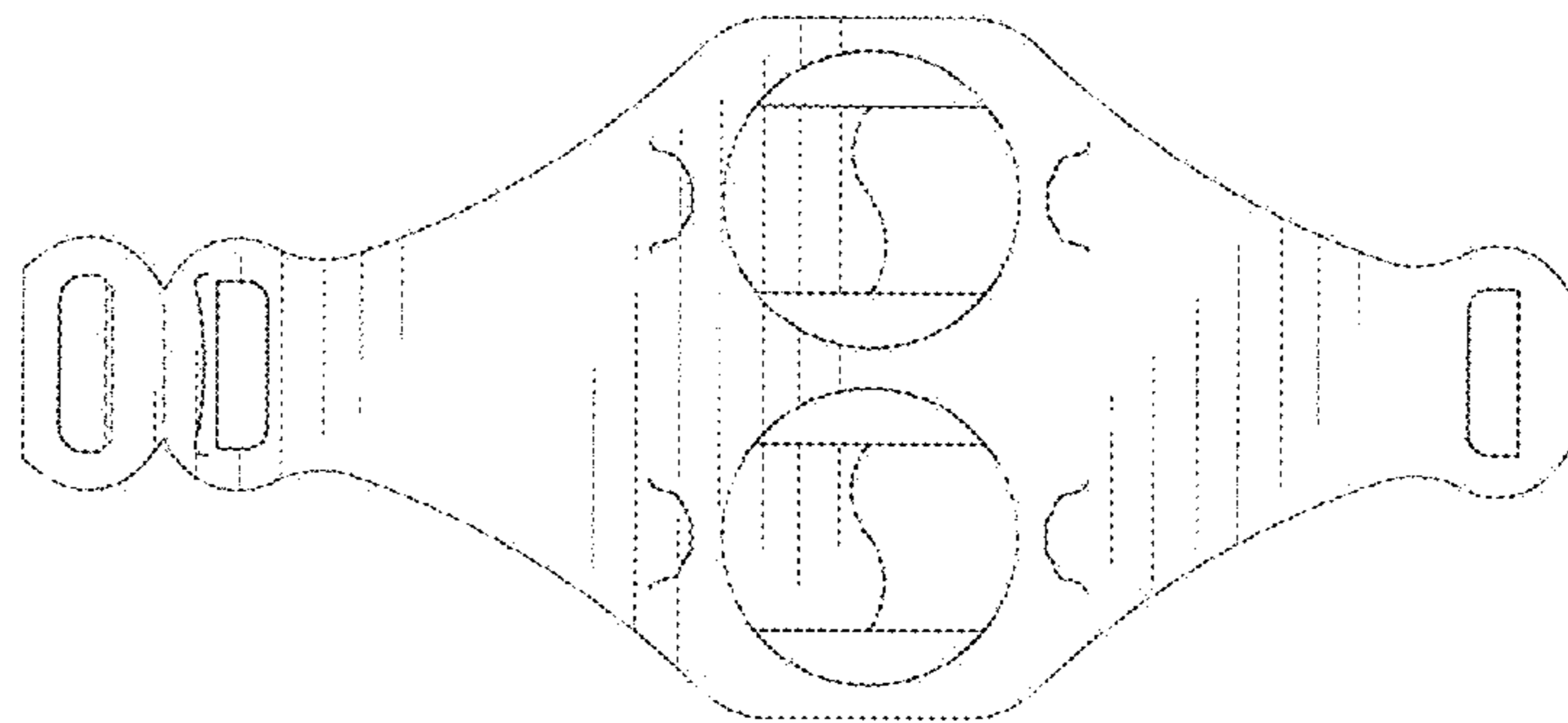
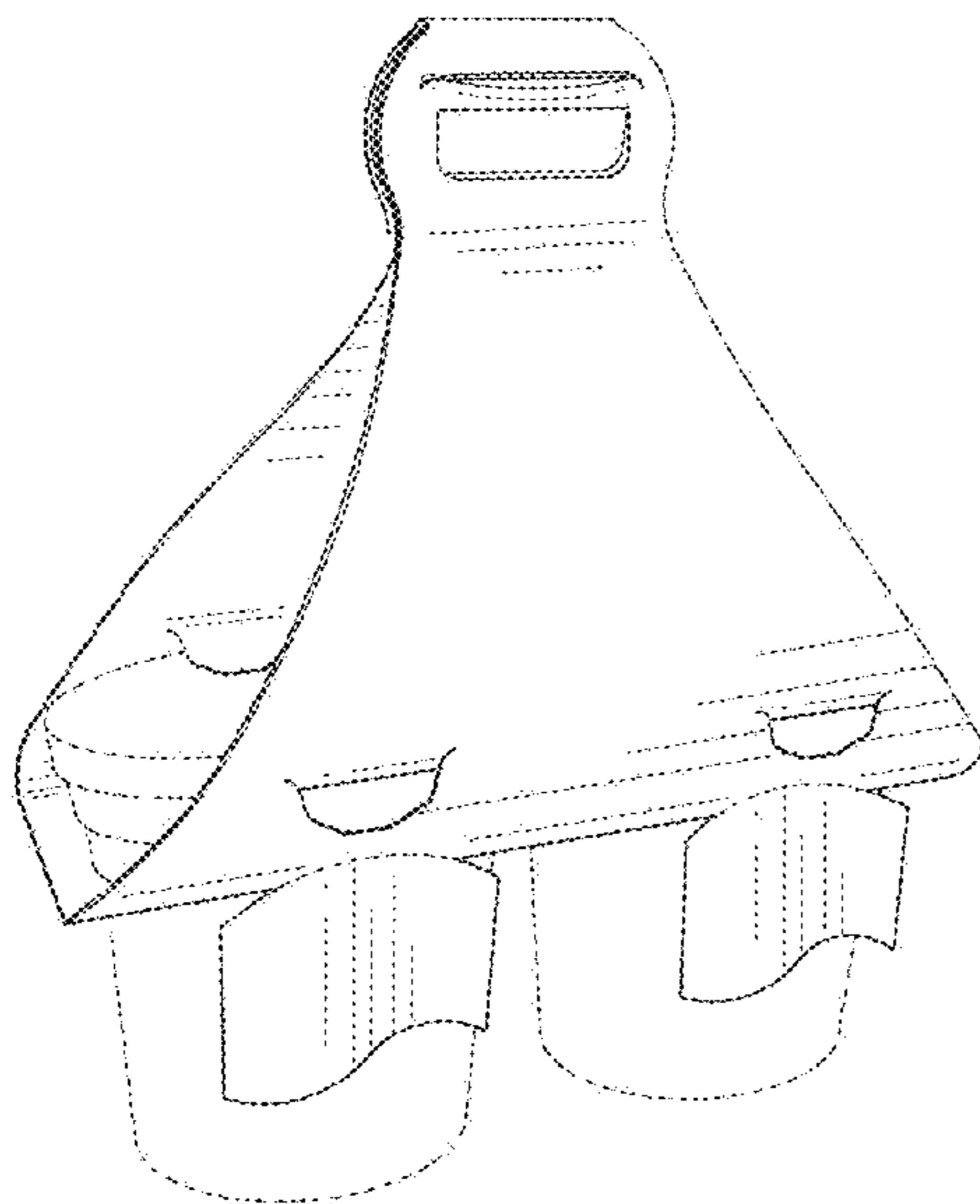
FIG. 3 is a front elevational view of the embodiment shown in FIG. 1.

FIG. 4 is a side profile view of the embodiment shown in FIG. 1; and,

FIG. 5 is a side profile view of the embodiment shown in FIG. 1.

The broken lines showing environment in the drawings are for illustrative purposes only and form no part of the claimed design.

**1 Claim, 3 Drawing Sheets**



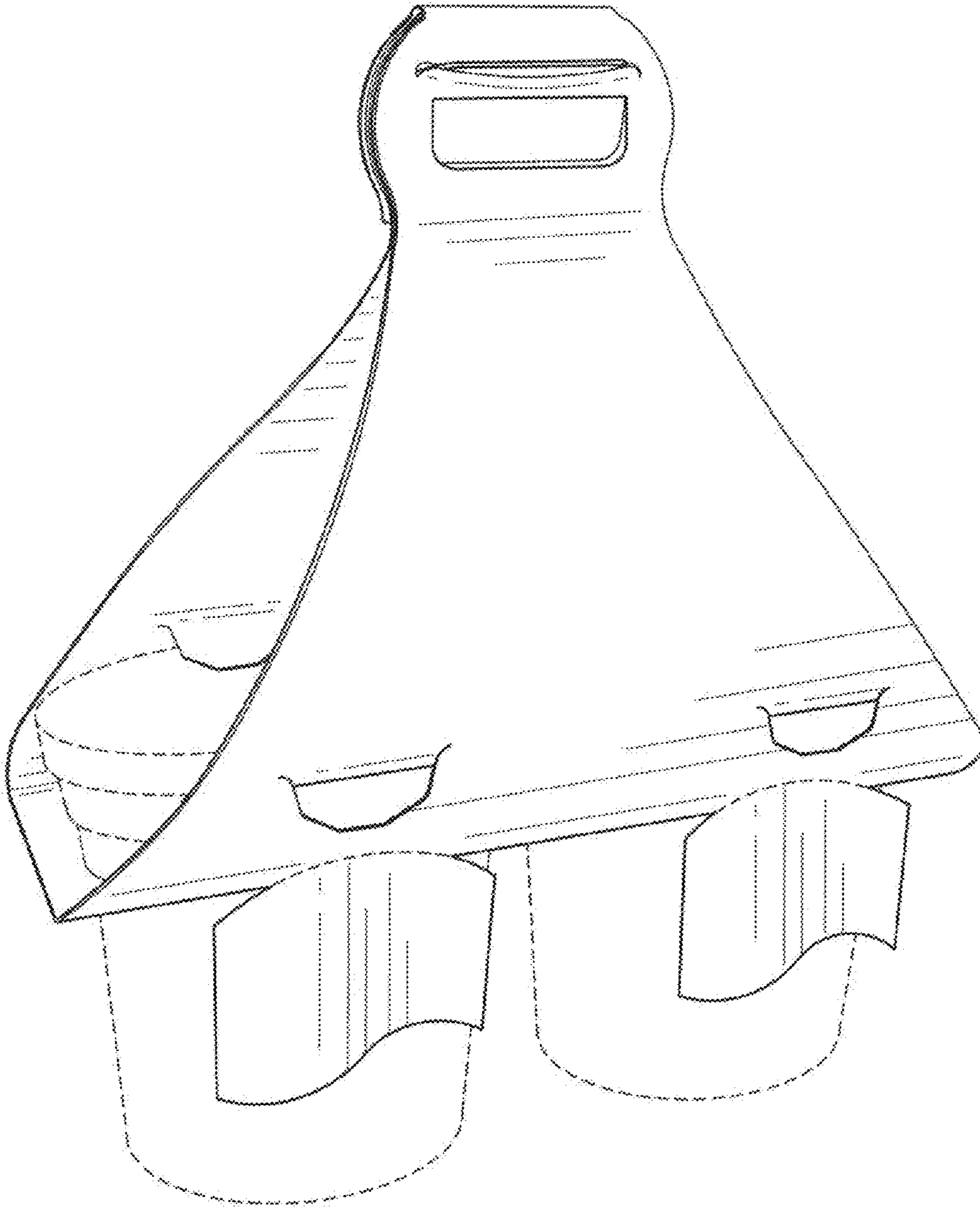
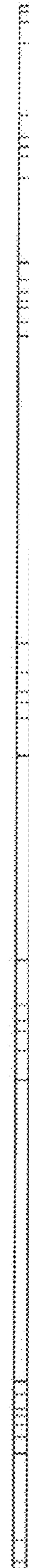
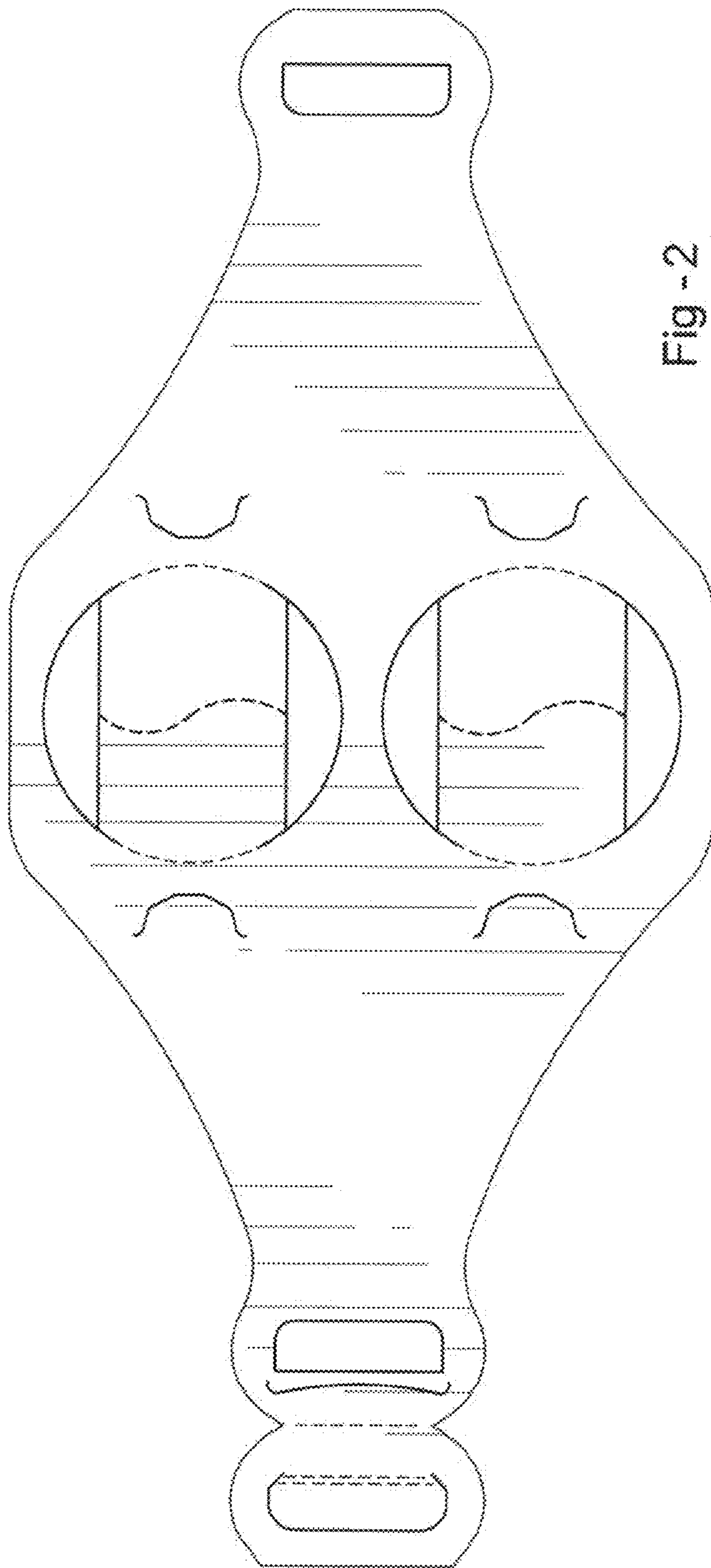


Fig - 1



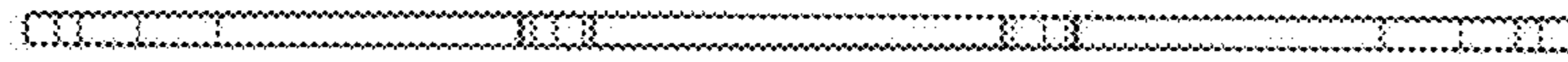


Fig -4

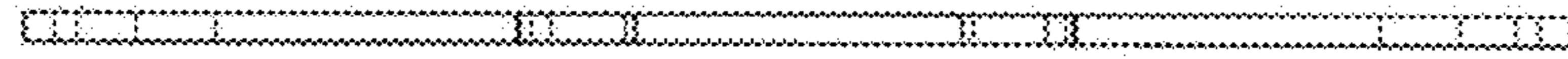


Fig -5