



US00D709373S

(12) **United States Design Patent**
Agassi et al.

(10) **Patent No.:** **US D709,373 S**
(45) **Date of Patent:** **** Jul. 22, 2014**

- (54) **POURER**
- (71) Applicant: **Agam Innovations, Ltd.**, Tel Aviv (IL)
- (72) Inventors: **Or Agassi**, Tel Aviv (IL); **Reuven Marko**, Netanya (IL)
- (73) Assignee: **AGAM Innovations Ltd.**, Tel Aviv (IL)
- (**) Term: **14 Years**
- (21) Appl. No.: **29/470,709**
- (22) Filed: **Oct. 24, 2013**
- (51) **LOC (10) Cl.** **09-07**
- (52) **U.S. Cl.**
USPC **D9/449**
- (58) **Field of Classification Search**
USPC D9/434, 440, 441, 446, 447, 450;
D7/391, 392, 392.1, 397, 398, 515;
222/189.7, 190, 477, 478, 481.5, 484,
222/567, 569; 220/711, 714, 717; 215/1,
215/21, 23, 25, 216, 245, 256, 316
See application file for complete search history.

(56) **References Cited**

U.S. PATENT DOCUMENTS

D117,841	S	*	11/1939	Hoeter	D9/440
D176,402	S	*	12/1955	Biederman	D9/447
3,235,133	A		2/1966	Zimmerman et al.		
D206,971	S	*	2/1967	Williams	D9/446
D217,330	S	*	4/1970	Conry	D9/440
3,750,915	A	*	8/1973	Kearney	222/567
D272,793	S	*	2/1984	Appel et al.	D7/510
5,181,632	A	*	1/1993	Latter	222/153.06
D336,429	S	*	6/1993	Petoskey	D9/447
5,303,850	A		4/1994	Connan		
D398,813	S	*	9/1998	Franzese	D7/396.2
5,871,118	A	*	2/1999	Franzese	220/717
D426,300	S	*	6/2000	Conforti	D24/115
D584,151	S	*	1/2009	Murphy	D9/453

D624,412	S	*	9/2010	Jenkins	D9/445
D634,631	S	*	3/2011	Taylor	D9/447
D668,502	S	*	10/2012	Sakulsacha	D7/392.1

(Continued)

OTHER PUBLICATIONS

International Searching Authority, "International Search Report and the Written Opinion of the International Searching Authority for corresponding International Application No. PCT/IL2013/050659"; date of mailing Nov. 27, 2013.

Primary Examiner — Robert M Spear

(74) *Attorney, Agent, or Firm* — Myers Wolin, LLC

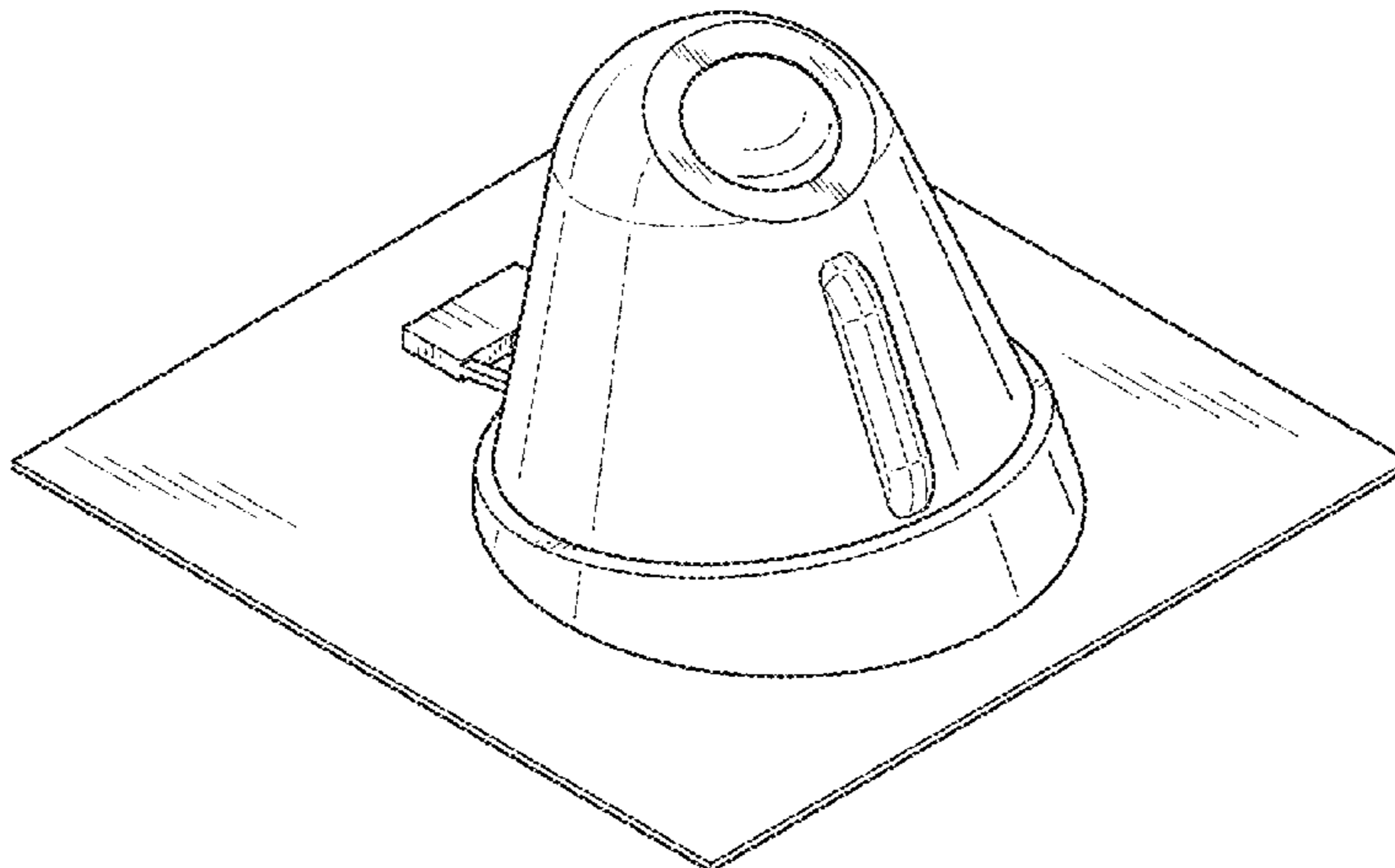
(57) **CLAIM**

We claim the ornamental design for a pourer, as shown and described.

DESCRIPTION

FIG. 1 is a top isometric view of cap for a pourer showing our new design in closed position;
 FIG. 2 is a bottom isometric view thereof in a closed position;
 FIG. 3 is a top view thereof;
 FIG. 4 is a bottom view thereof;
 FIG. 5 is a front side view thereof;
 FIG. 6 is a rear side view thereof;
 FIG. 7 is a right side view thereof;
 FIG. 8 is a left side view thereof;
 FIG. 9 is a top isometric view thereof in an open position;
 FIG. 10 is a bottom isometric view thereof in an open position;
 FIG. 11 is a top isometric view thereof from another angle in an open position;
 FIG. 12 is a top view thereof;
 FIG. 13 is a bottom view thereof;
 FIG. 14 is a front view thereof;
 FIG. 15 is a right view thereof; and,
 FIG. 16 is a left view thereof.

1 Claim, 8 Drawing Sheets



US D709,373 S

Page 2

(56)

References Cited

U.S. PATENT DOCUMENTS

D673,420 S * 1/2013 Imo D7/392.1
D676,125 S * 2/2013 Hair D24/108
D676,126 S * 2/2013 Hair D24/108

D678,768 S * 3/2013 Agassi et al. D9/440
D688,127 S * 8/2013 Agassi et al. D9/440
2003/0062367 A1* 4/2003 Robinson et al. 220/254.1
2008/0073383 A1 3/2008 McDonald
2012/0085790 A1* 4/2012 Agassi et al. 222/479

* cited by examiner

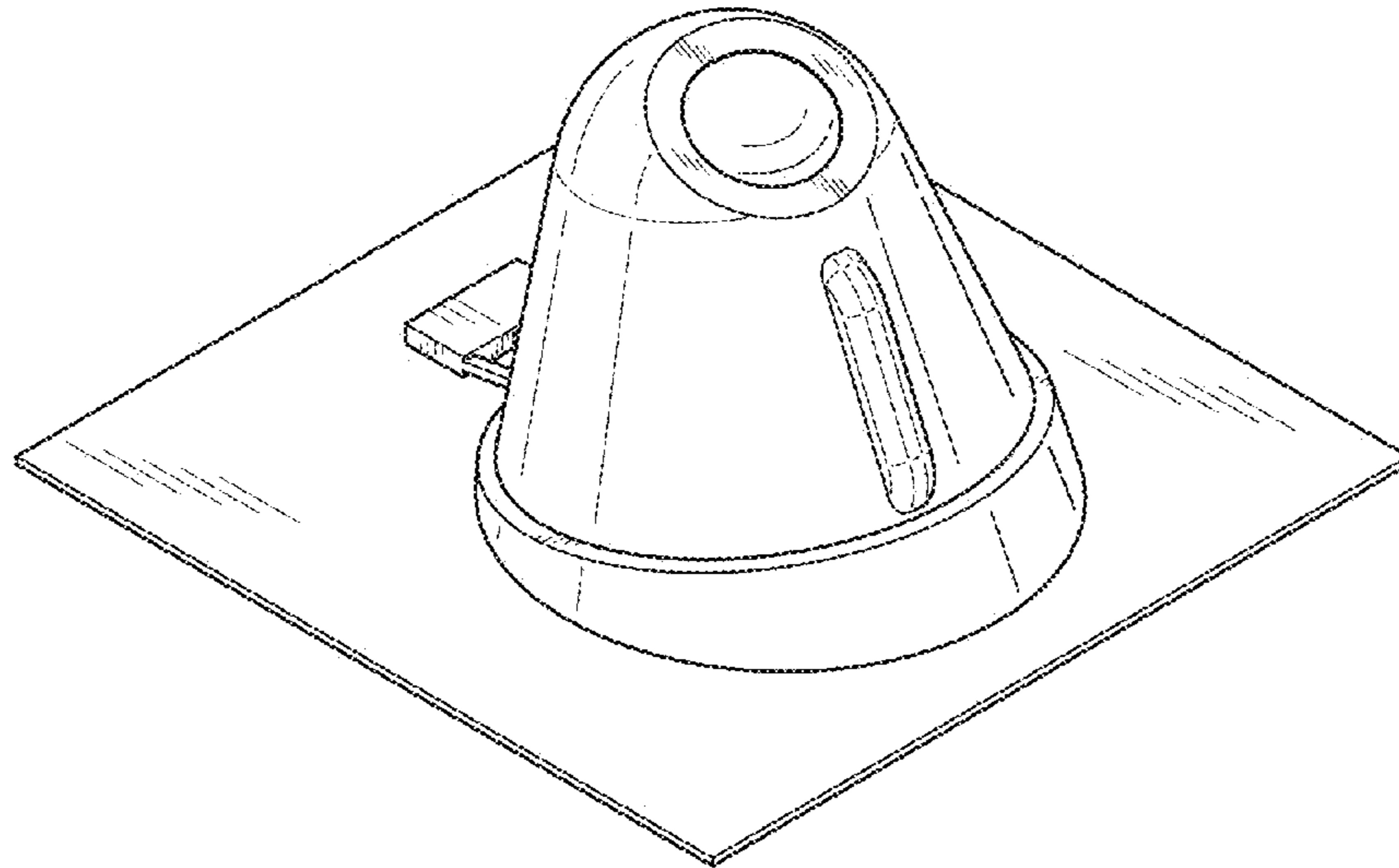


FIG. 1

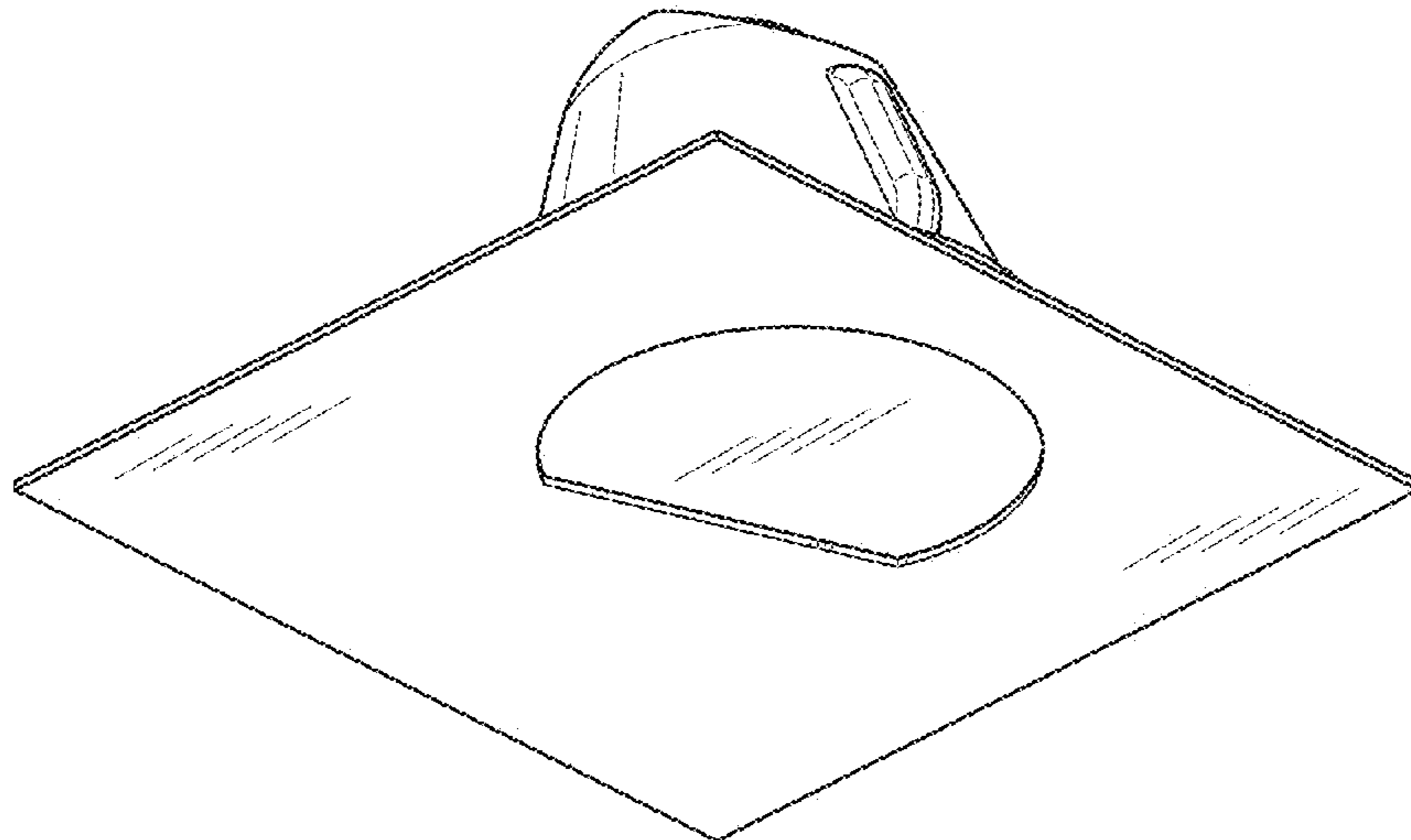


FIG. 2

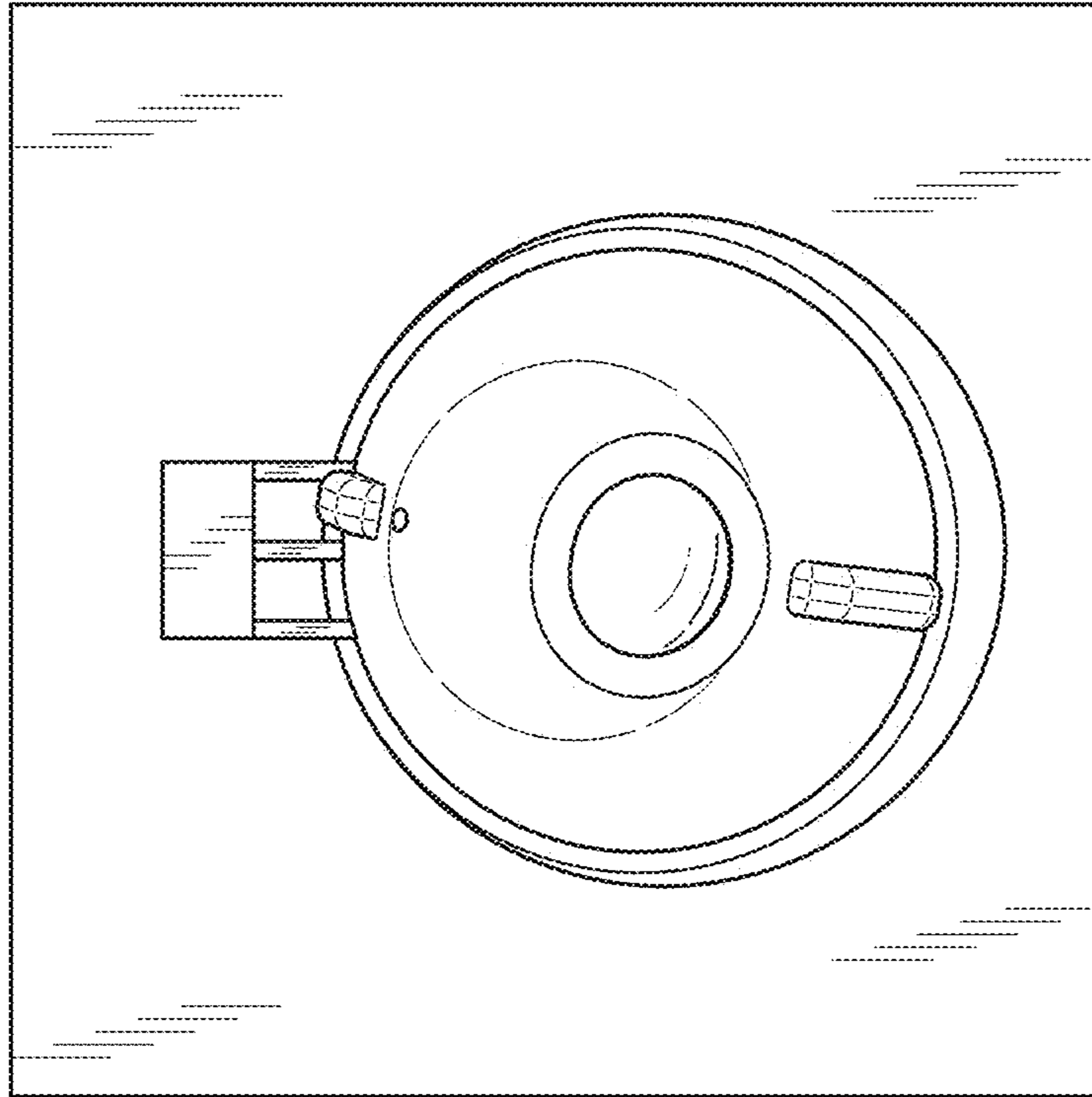


FIG. 3

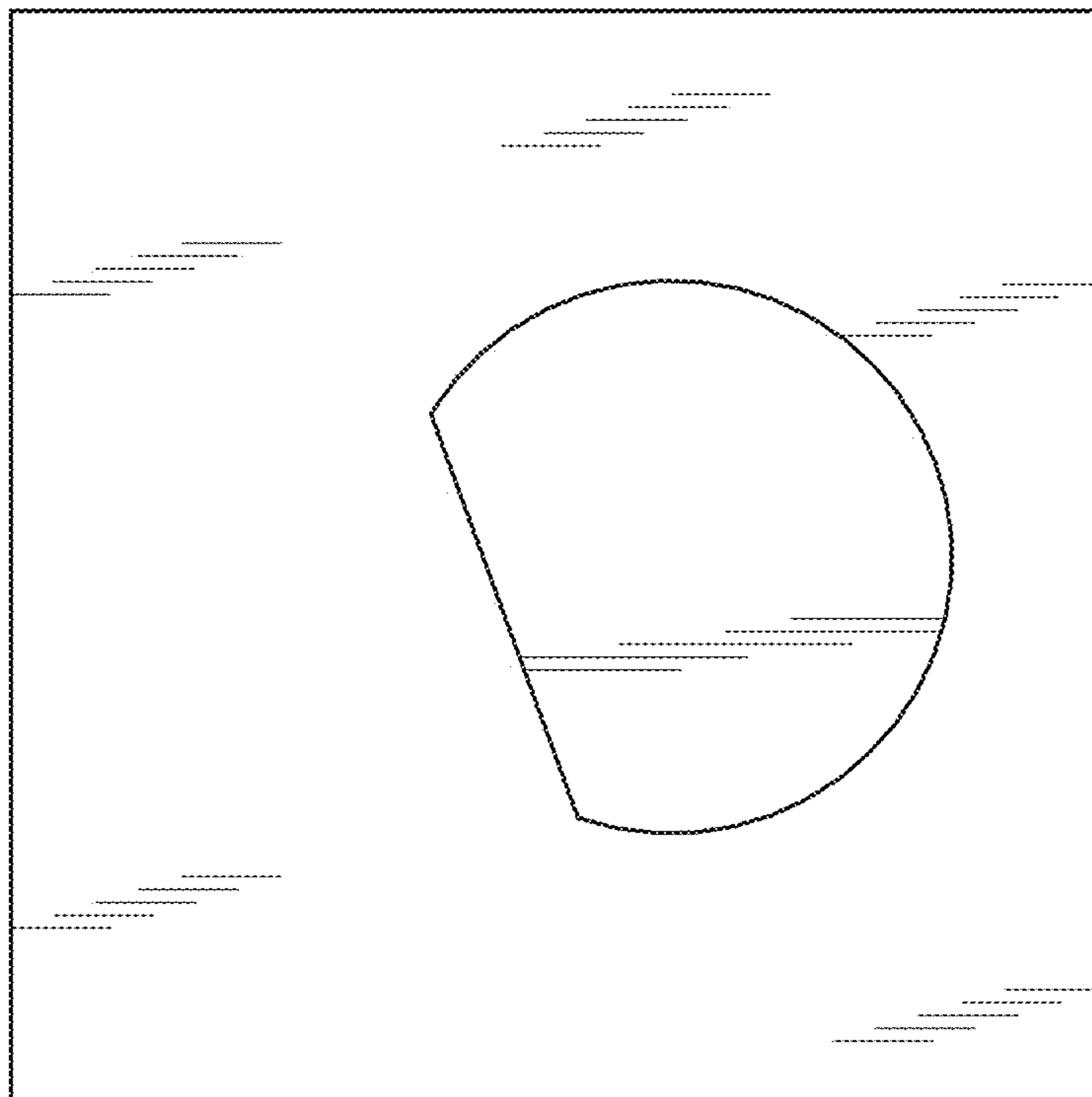


FIG. 4

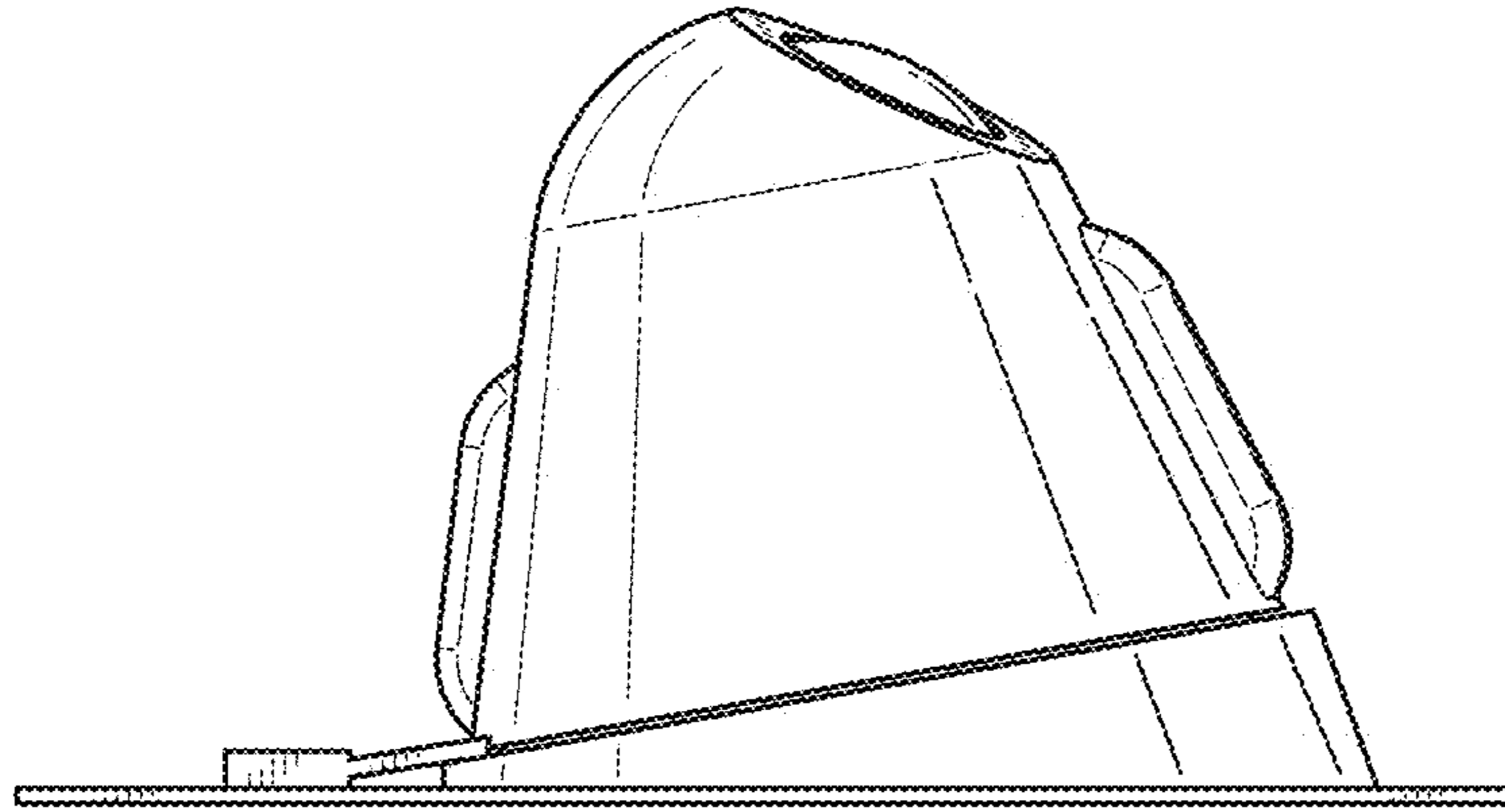


FIG. 5

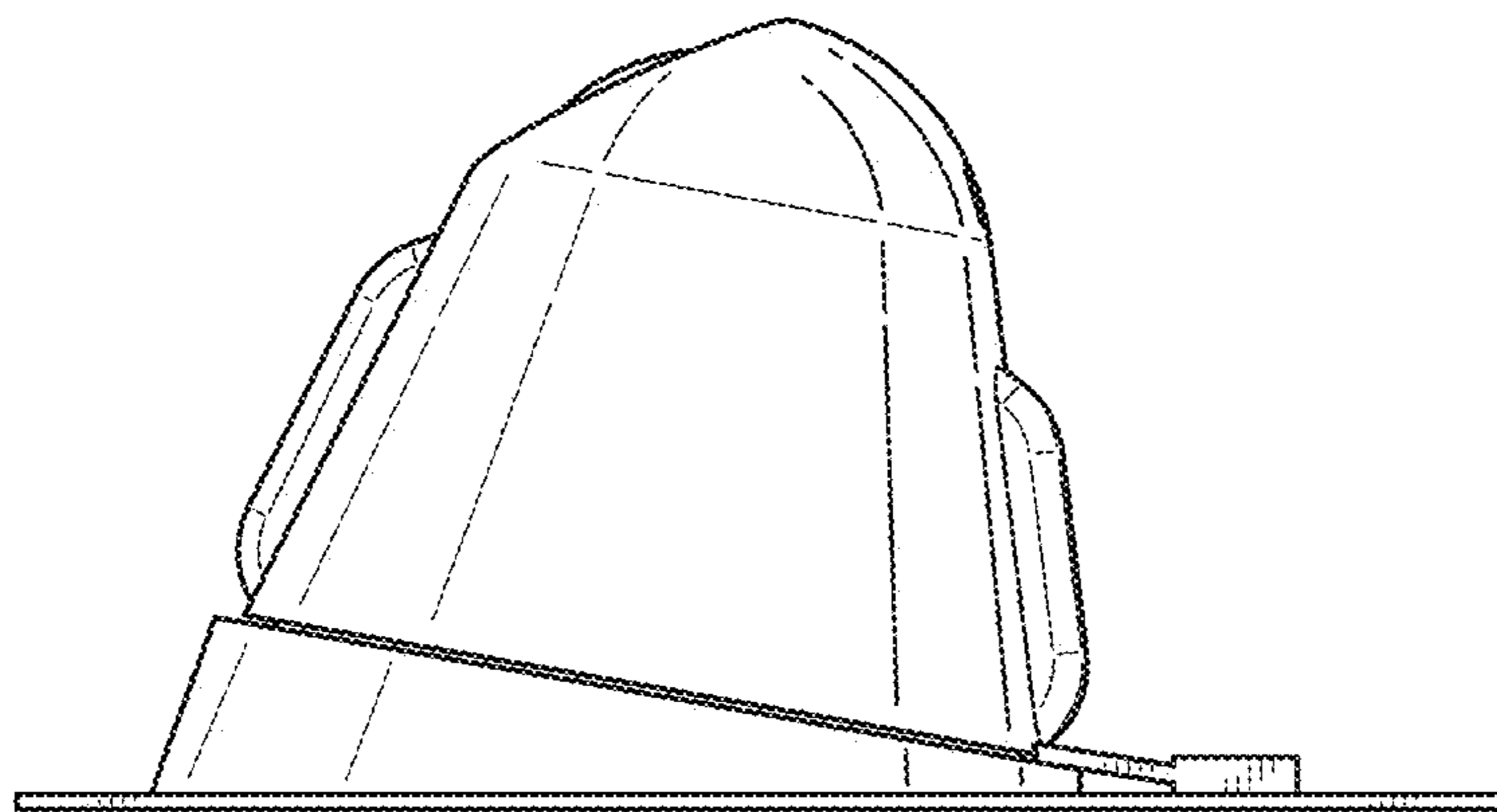


FIG. 6

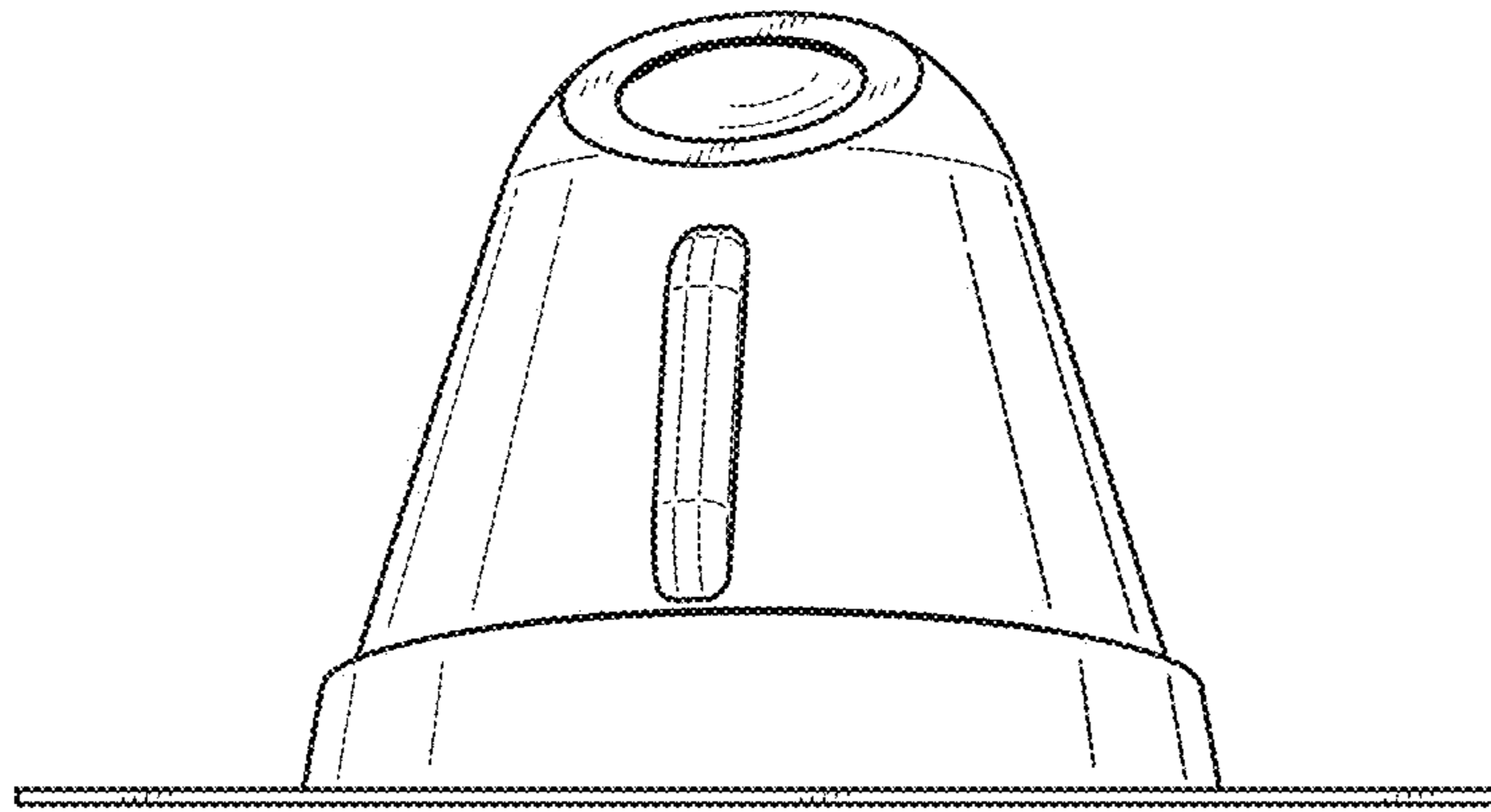


FIG. 7

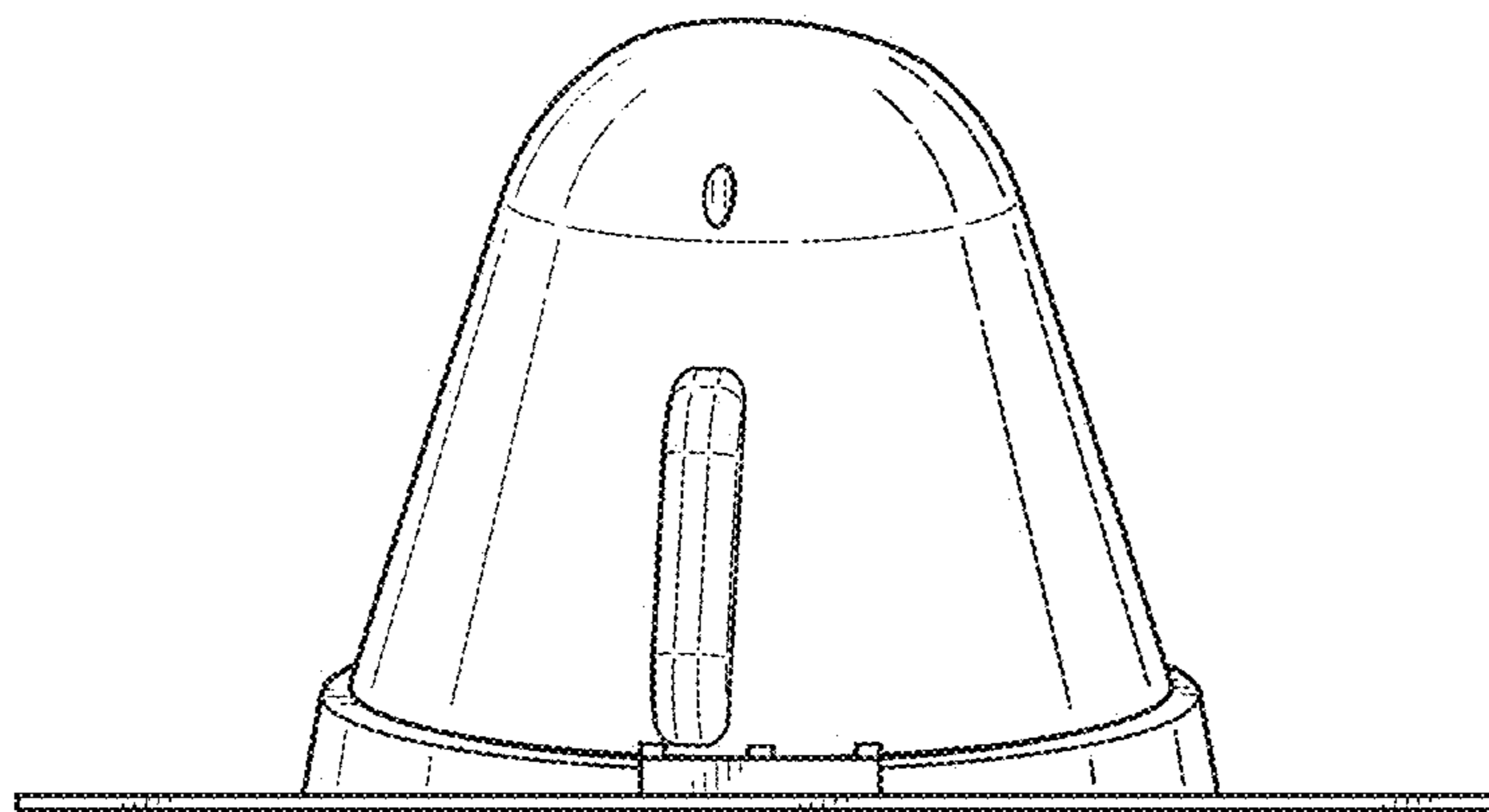


FIG. 8

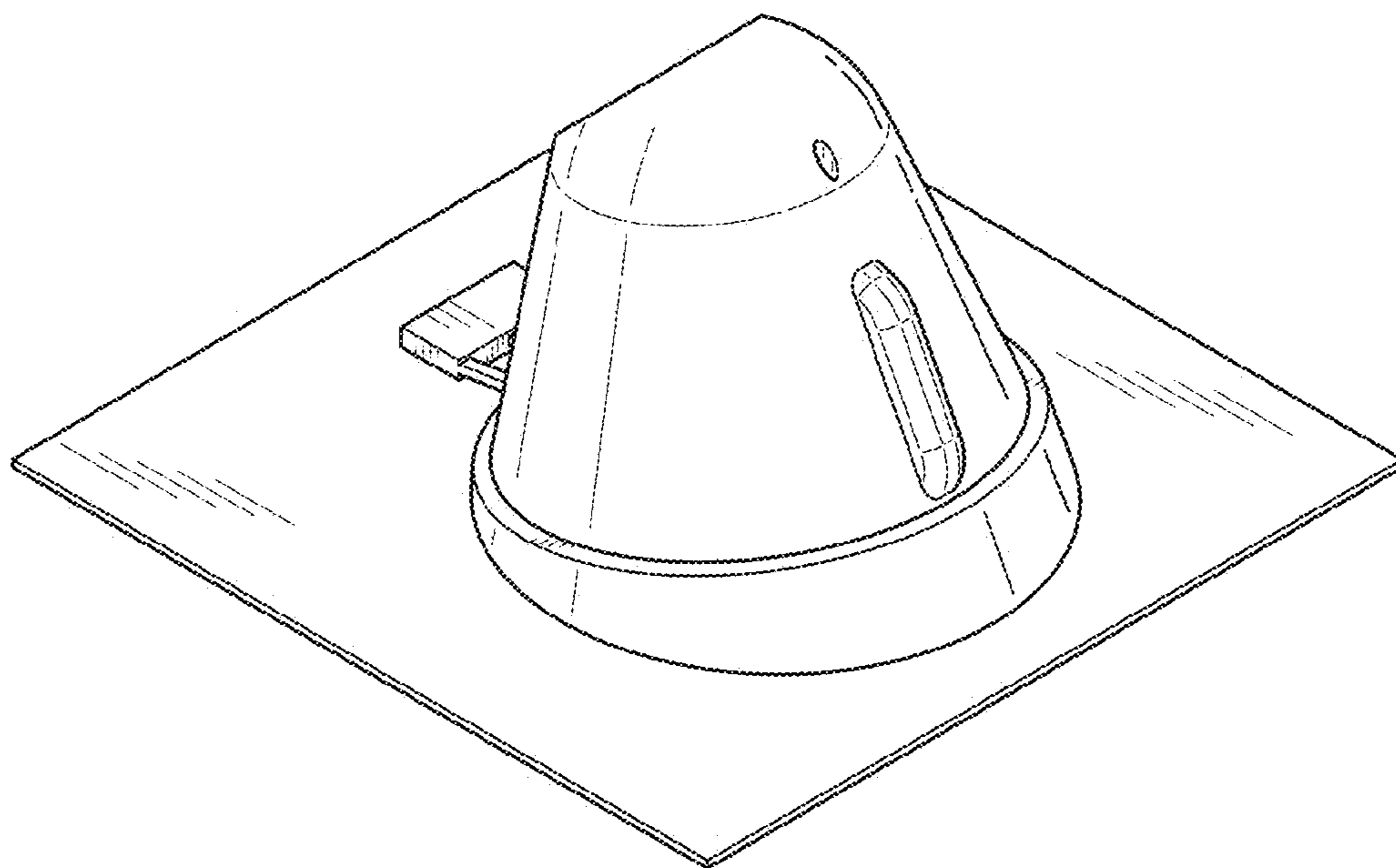


FIG. 9

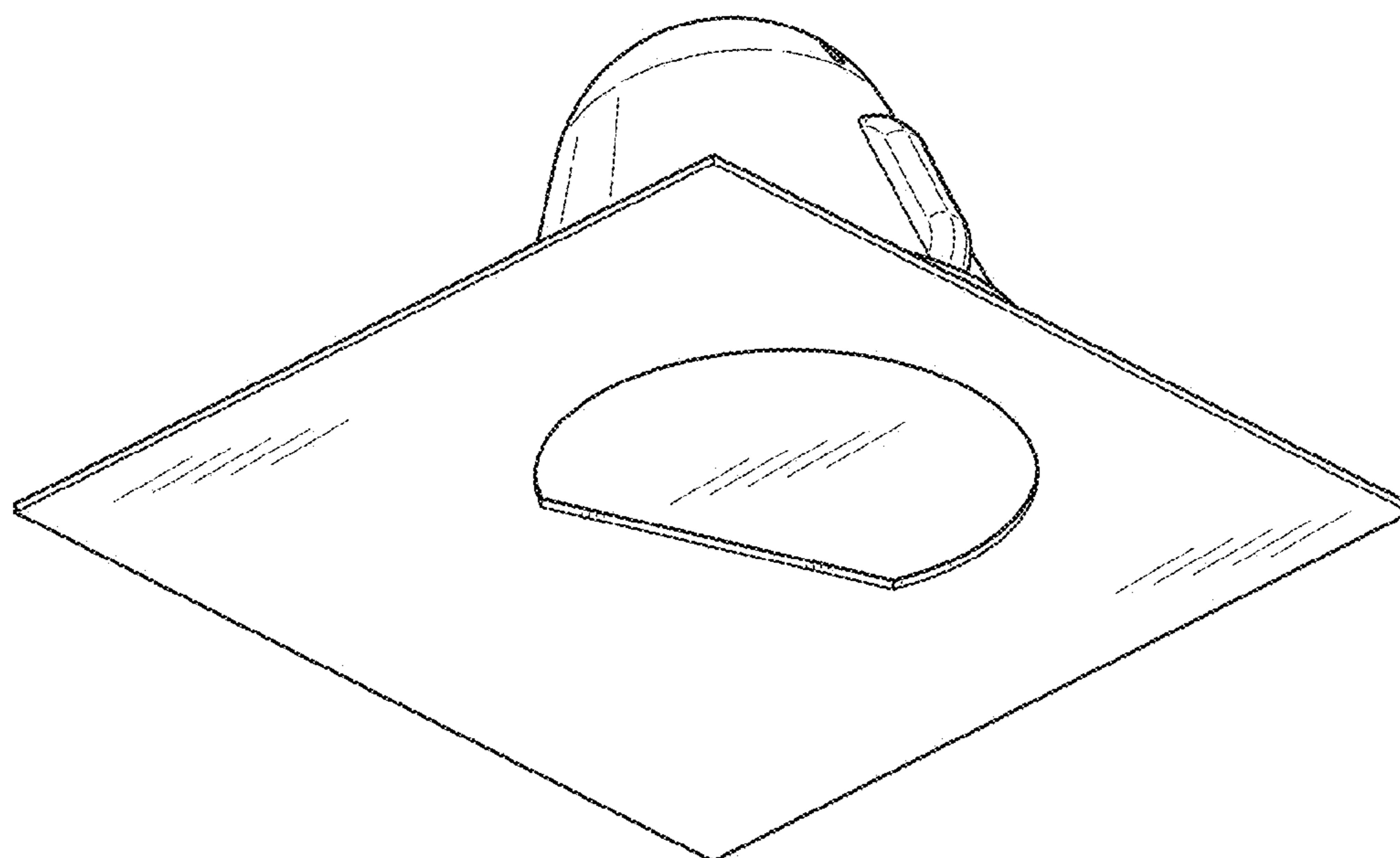


FIG. 10

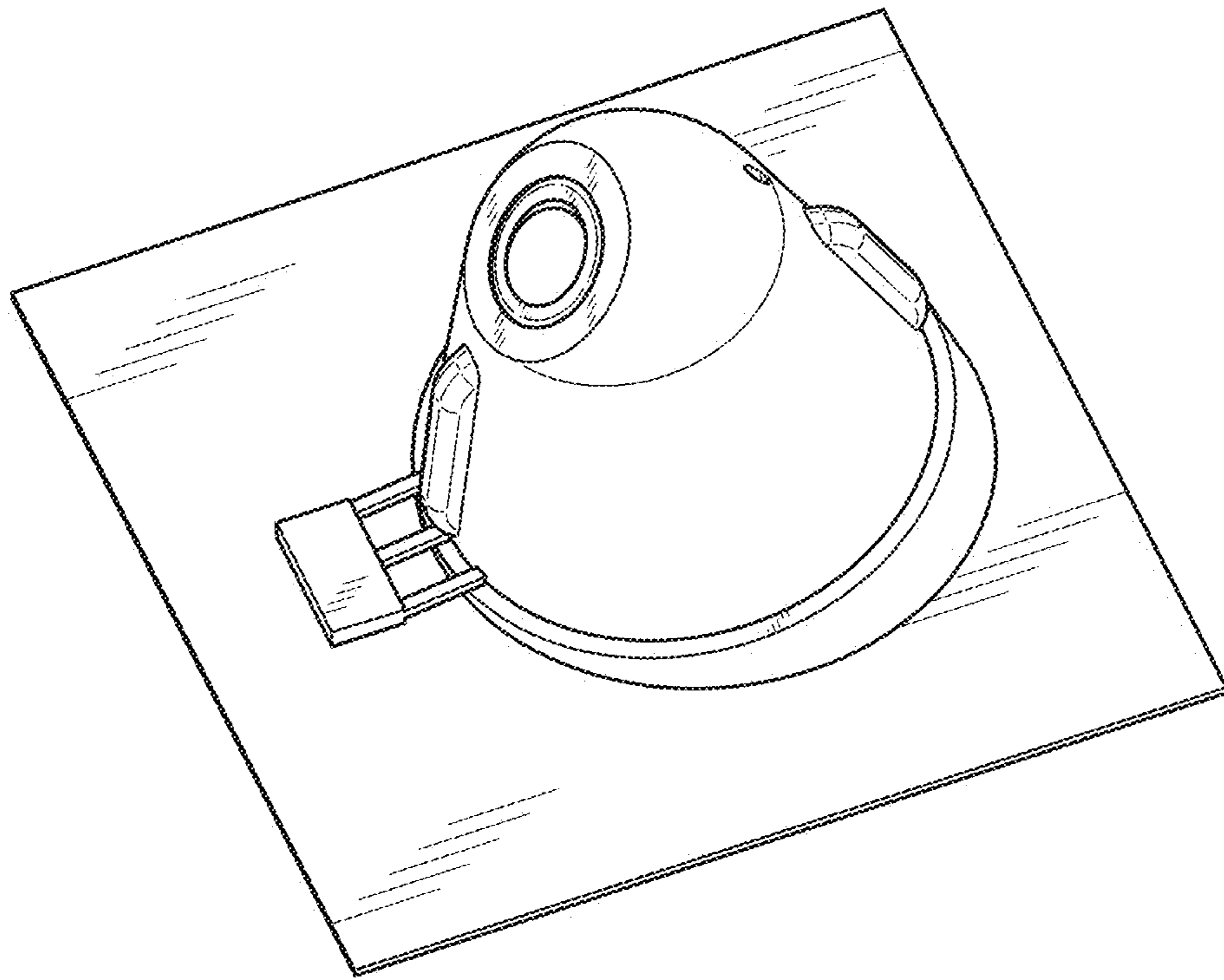


FIG. 11

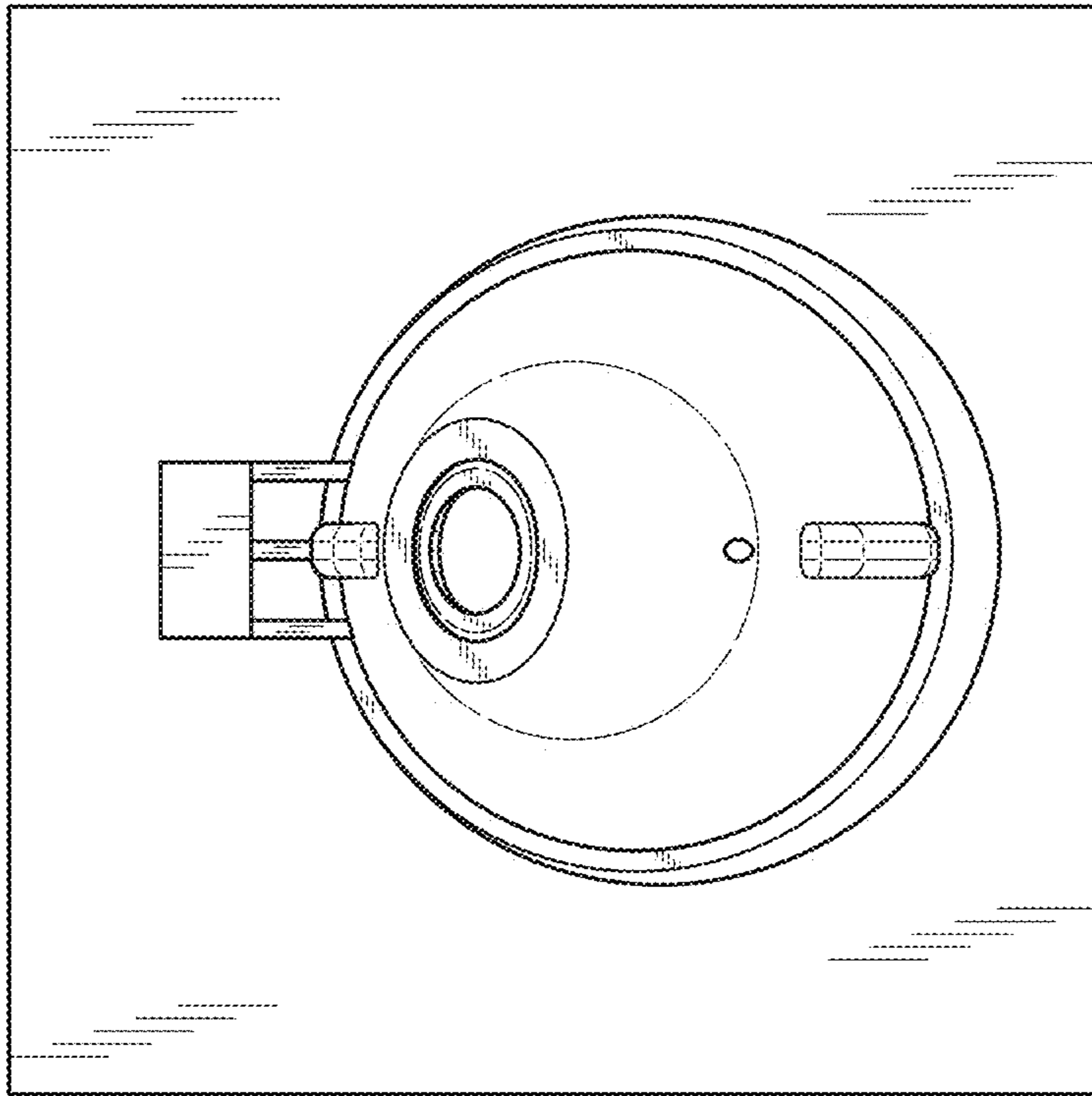


FIG. 12

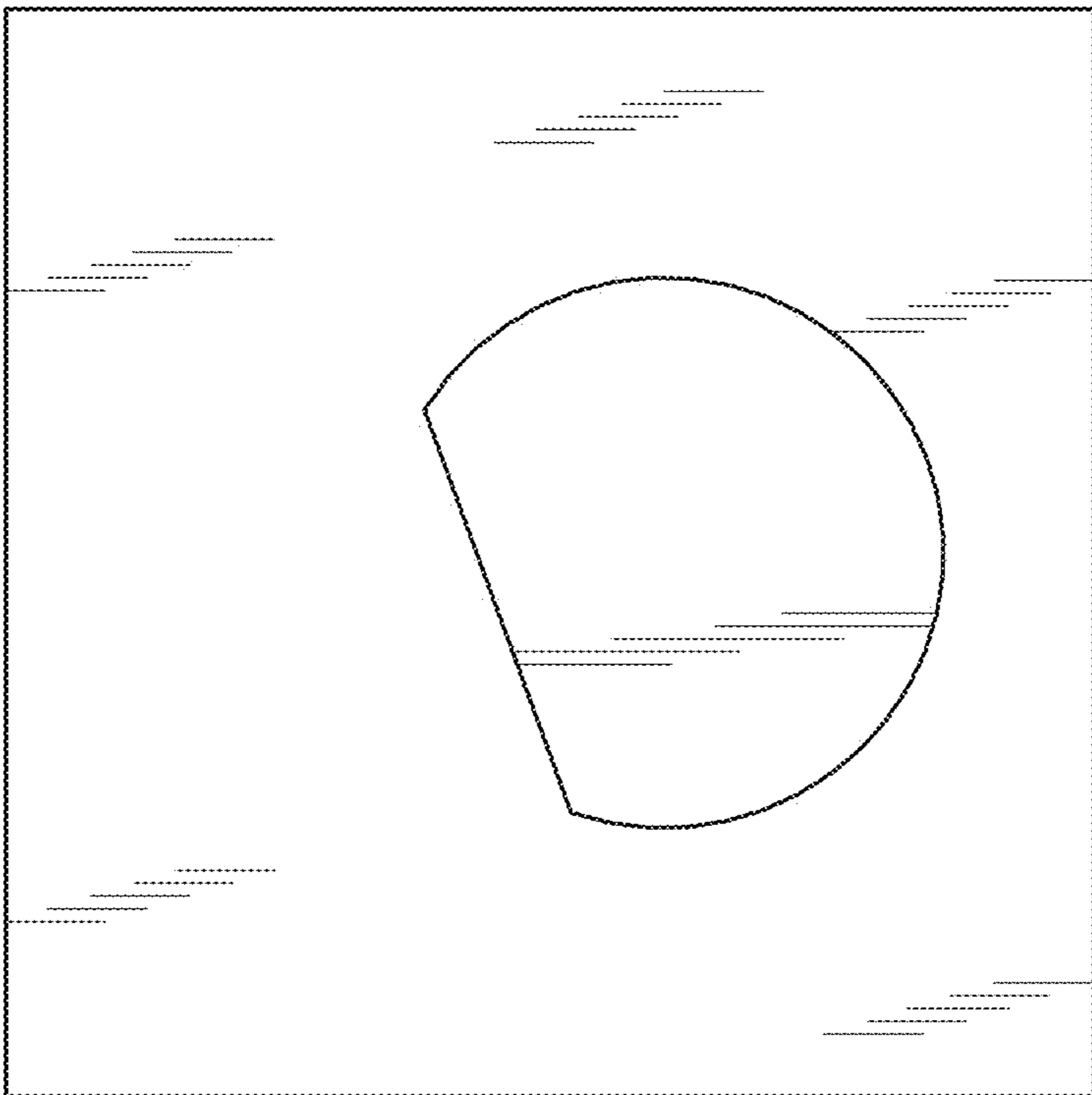


FIG. 13

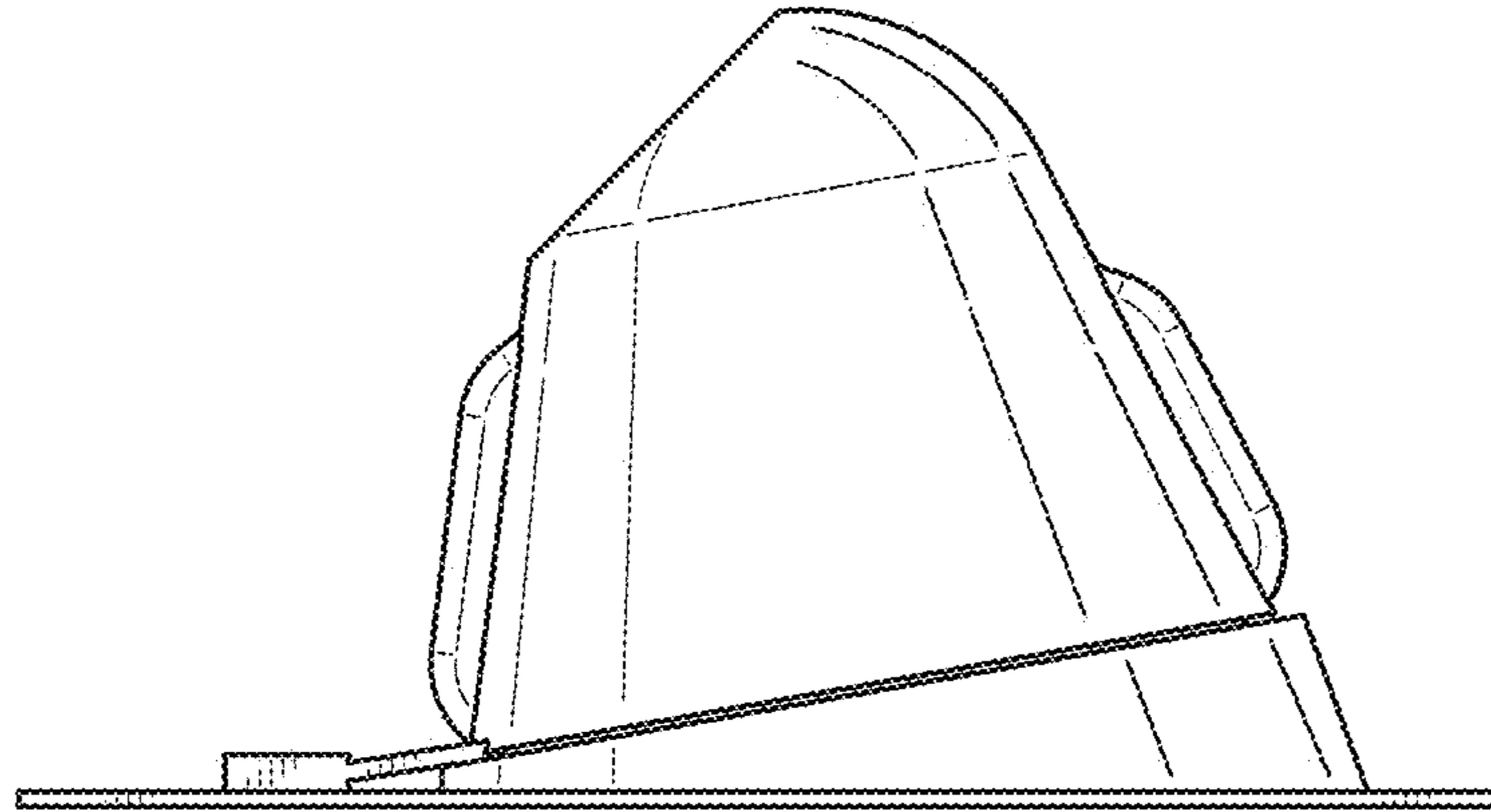


FIG. 14

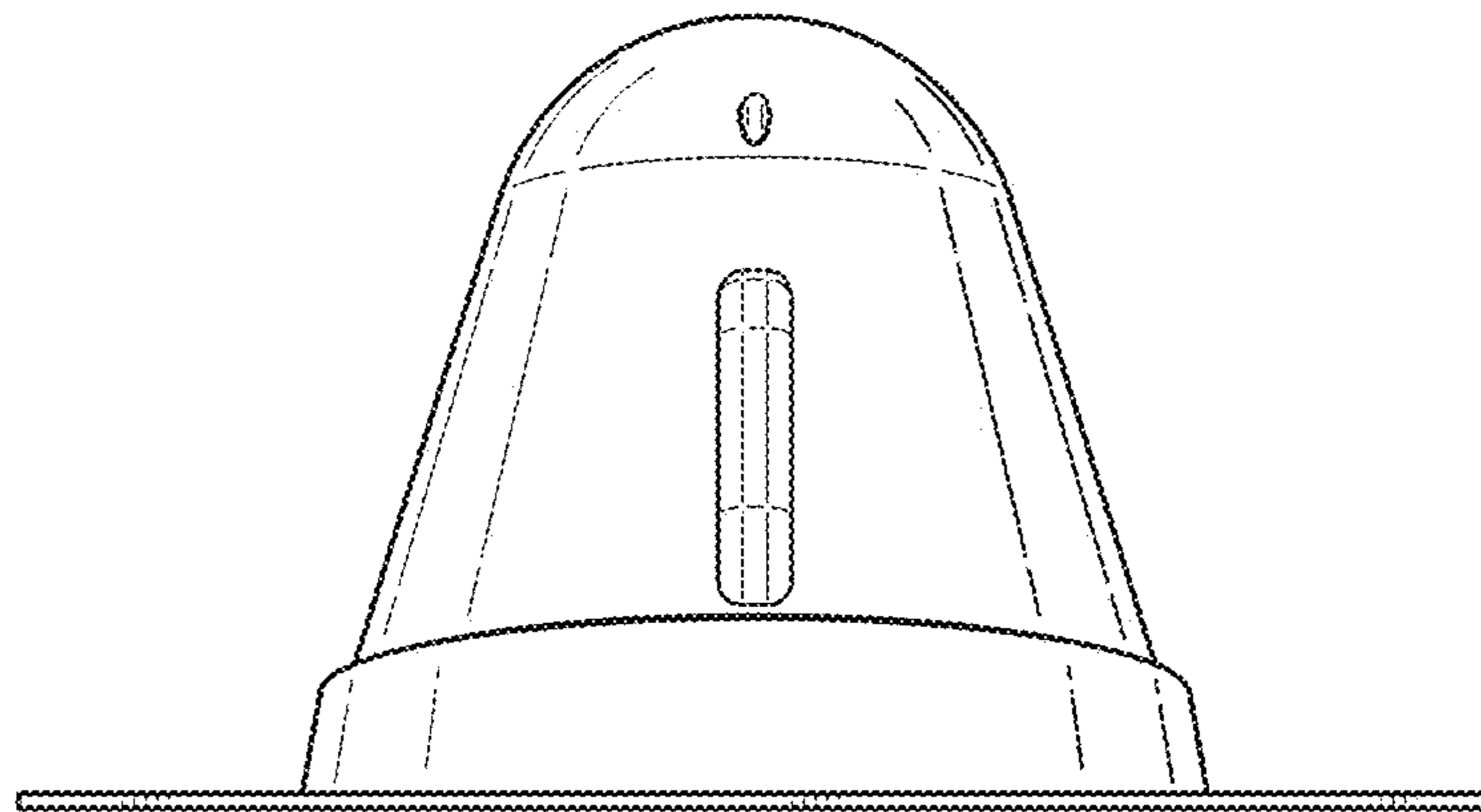


FIG. 15

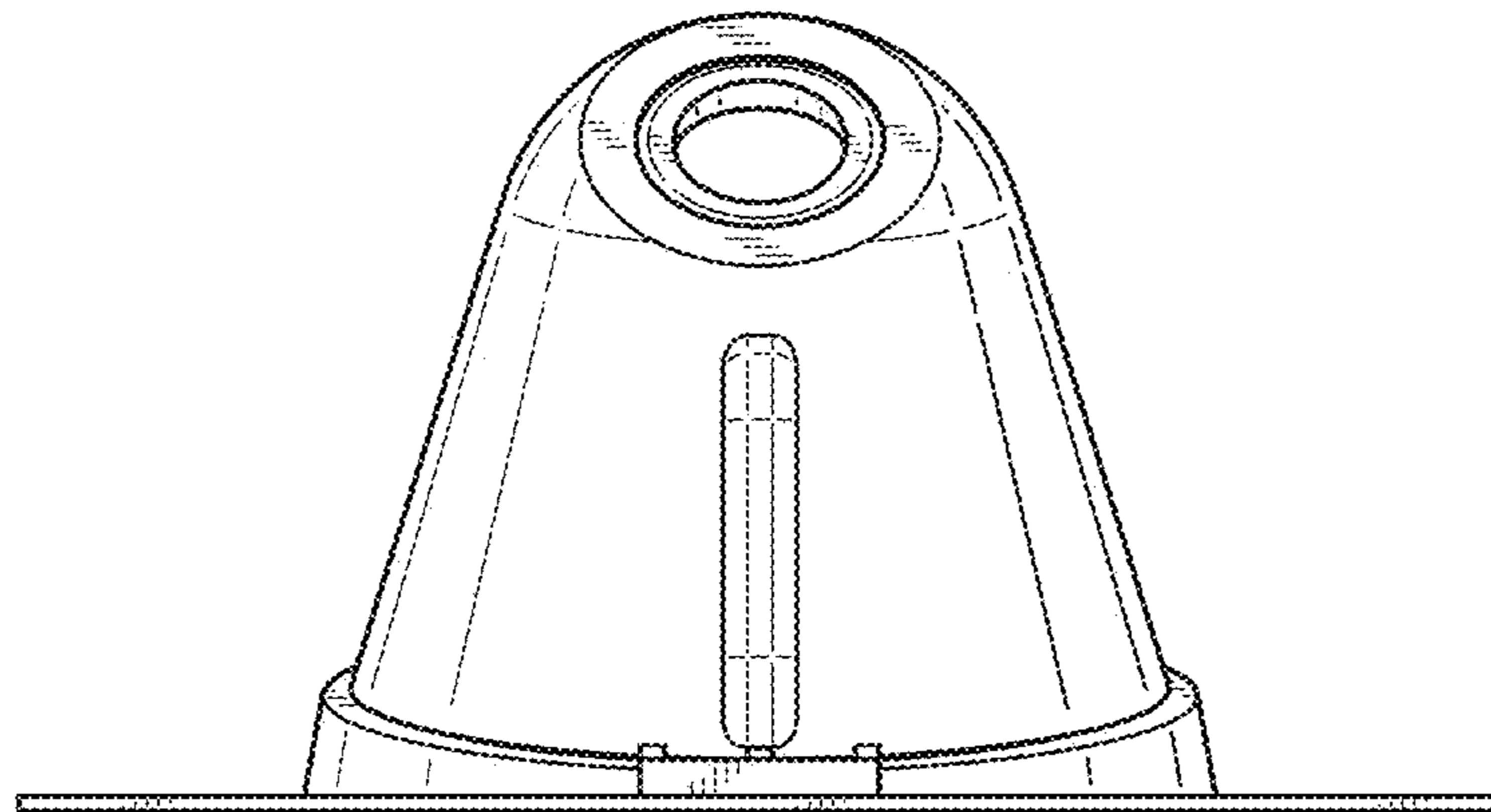


FIG. 16