



US00D709372S

(12) **United States Design Patent**  
**Williams**

(10) **Patent No.:** **US D709,372 S**  
(45) **Date of Patent:** **\*\* Jul. 22, 2014**

(54) **LUBRICANT APPLICATION DEVICE**

(71) Applicant: **Aaron B. Williams**, Littleton, CO (US)

(72) Inventor: **Aaron B. Williams**, Littleton, CO (US)

(\*\*) Term: **14 Years**

(21) Appl. No.: **29/443,824**

(22) Filed: **Jan. 23, 2013**

(51) **LOC (10) Cl.** ..... **09-07**

(52) **U.S. Cl.**

USPC ..... **D9/447**

(58) **Field of Classification Search**

CPC ..... F16N 11/02; F16N 3/10; F16H 7/18;  
F16H 57/05; B65D 41/16; B65D 41/17;  
B65D 47/20; B65D 83/00

USPC ..... D7/300, 300.1, 321, 396.2, 500, 507,  
D7/509, 510, 511, 900; D9/434, 435, 443,  
D9/444, 445, 447, 452, 453, 455, 520, 705,  
D9/708, 709; 215/200, 355-364;  
220/203.04-203.07, 703, 704, 715;  
222/82, 85, 402.12, 402.13, 528, 566,  
222/571; D8/14.1; 184/15.1

See application file for complete search history.

(56) **References Cited**

**U.S. PATENT DOCUMENTS**

D236,188 S \* 8/1975 Gould ..... D9/417  
D273,053 S \* 3/1984 Hamborg ..... D99/28

4,783,186 A \* 11/1988 Manning et al. .... 401/190  
4,815,637 A \* 3/1989 Nellis ..... 222/402.12  
5,269,614 A 12/1993 Taylor ..... 401/9  
D367,227 S \* 2/1996 Landy ..... D9/447  
D501,045 S \* 1/2005 Sakaria et al. .... D24/115  
7,762,435 B2 \* 7/2010 De'Padova et al. .... 222/402.13  
D627,224 S \* 11/2010 Bass et al. .... D9/445  
D666,923 S \* 9/2012 Buffington et al. .... D9/723  
D669,894 S \* 10/2012 Cobbett et al. .... D14/358  
2014/0060973 A1 \* 3/2014 Singer ..... 184/15.1

\* cited by examiner

*Primary Examiner* — Robert M Spear

*Assistant Examiner* — Marissa Cash

(74) *Attorney, Agent, or Firm* — Michael R. Schramm

(57) **CLAIM**

The ornamental design for a lubricant application device, as shown and described.

**DESCRIPTION**

FIG. 1 is a top, front and side trimetric view showing my new design;

FIG. 2 is a front view thereof;

FIG. 3 is a back view thereof;

FIG. 4 is a right side view thereof;

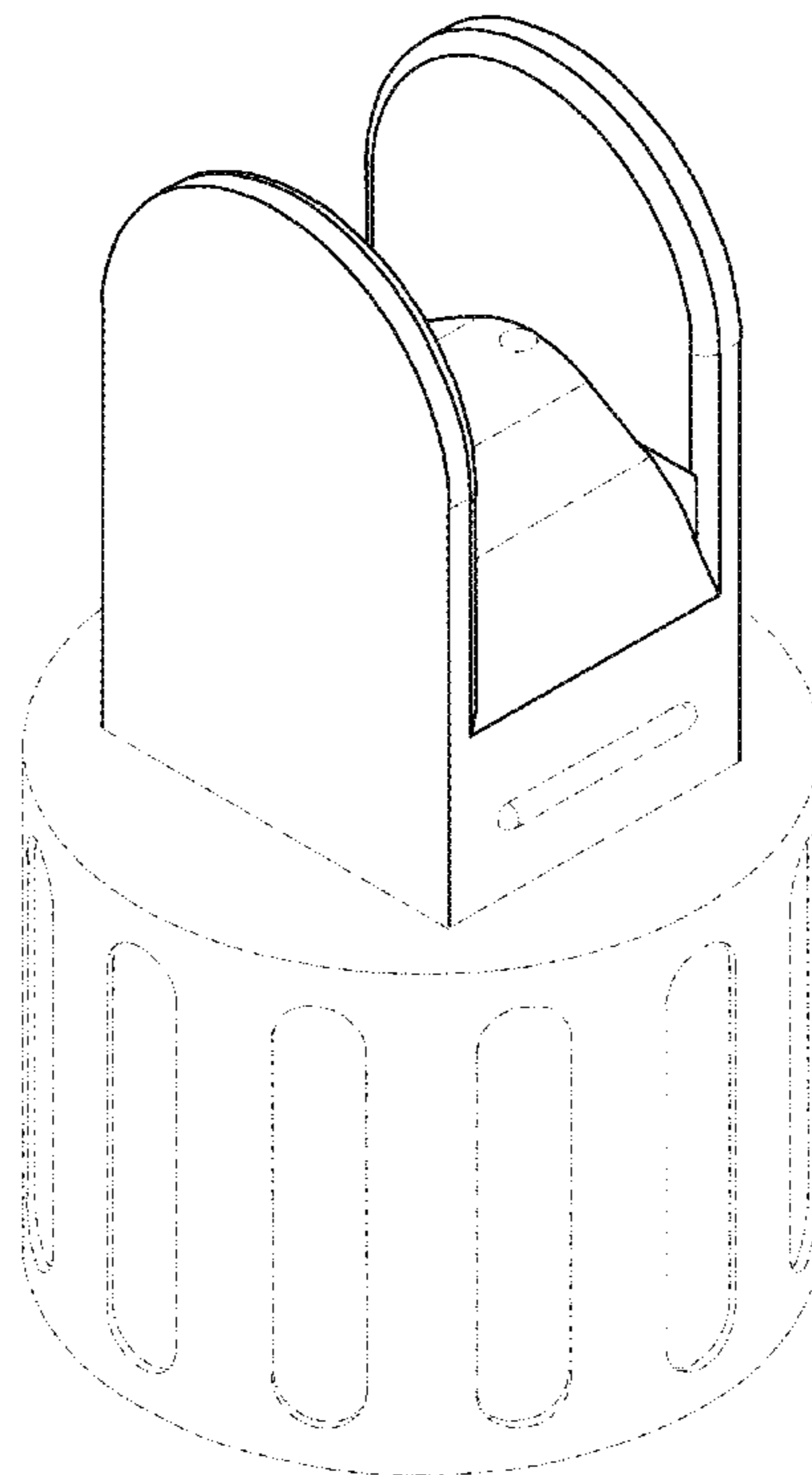
FIG. 5 is a left side view thereof;

FIG. 6 is a top view thereof; and,

FIG. 7 is a bottom view thereof.

In the drawings, the broken lines depict environmental subject matter only and form no part of the claimed design.

**1 Claim, 7 Drawing Sheets**



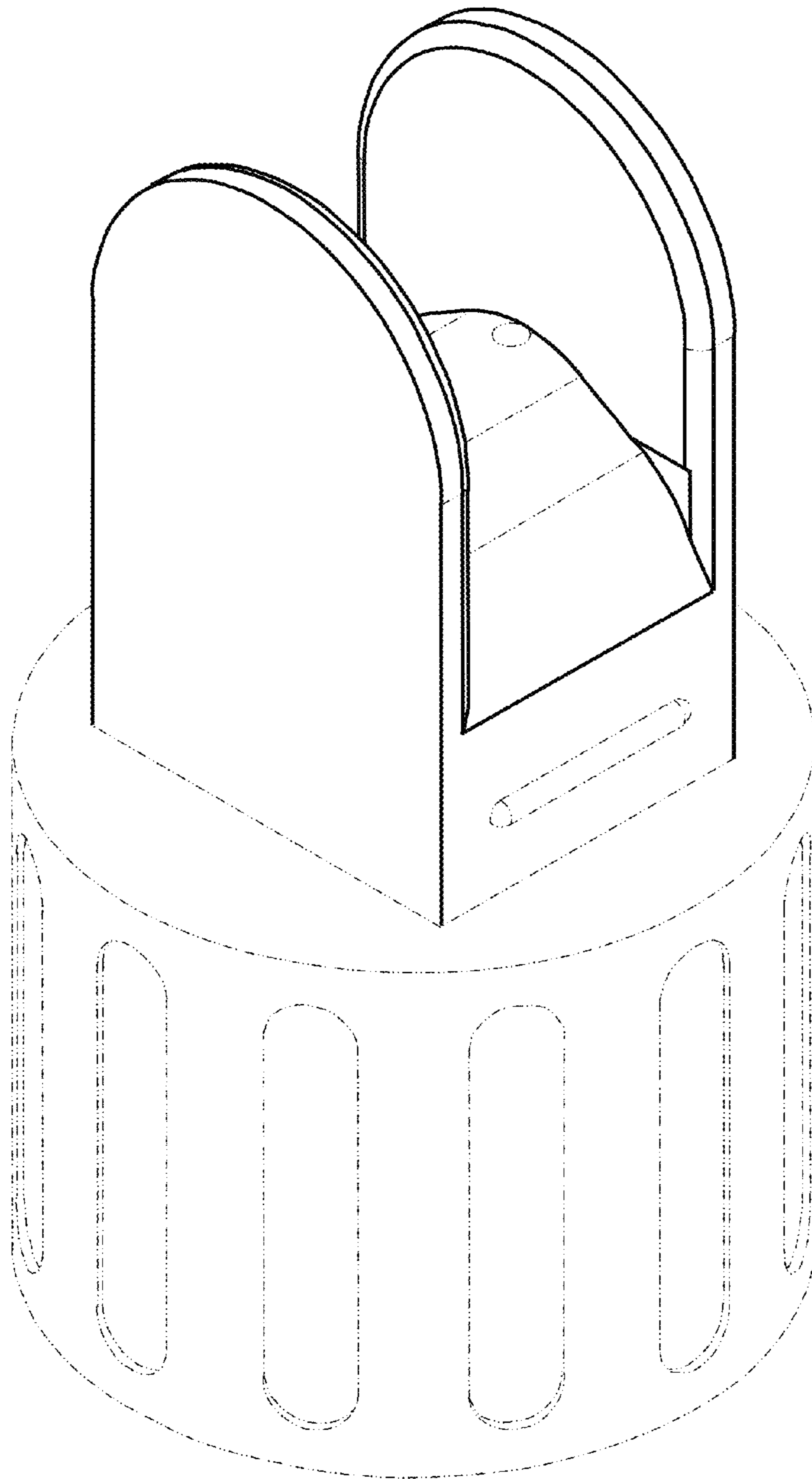


Figure 1

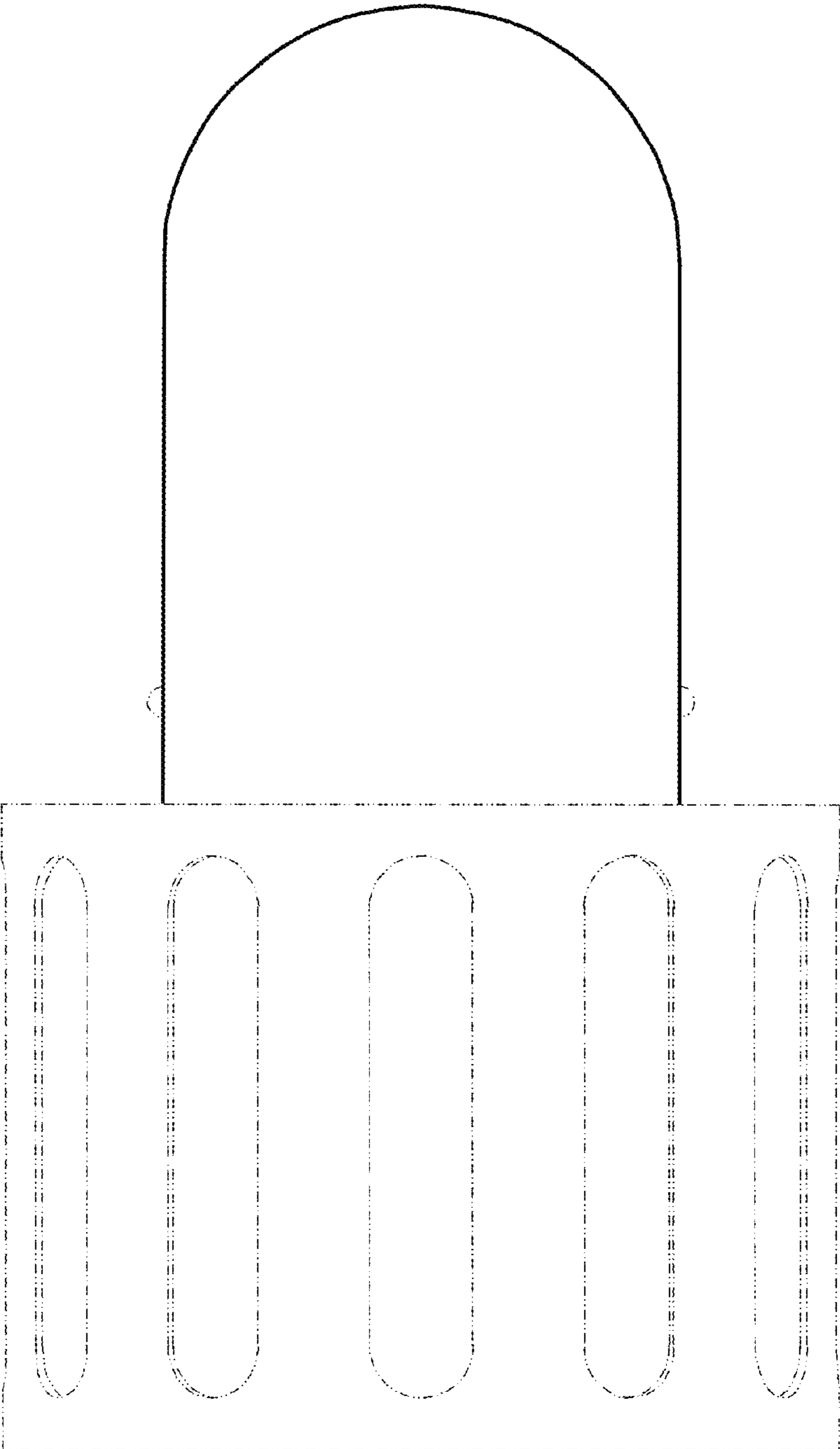


Figure 2

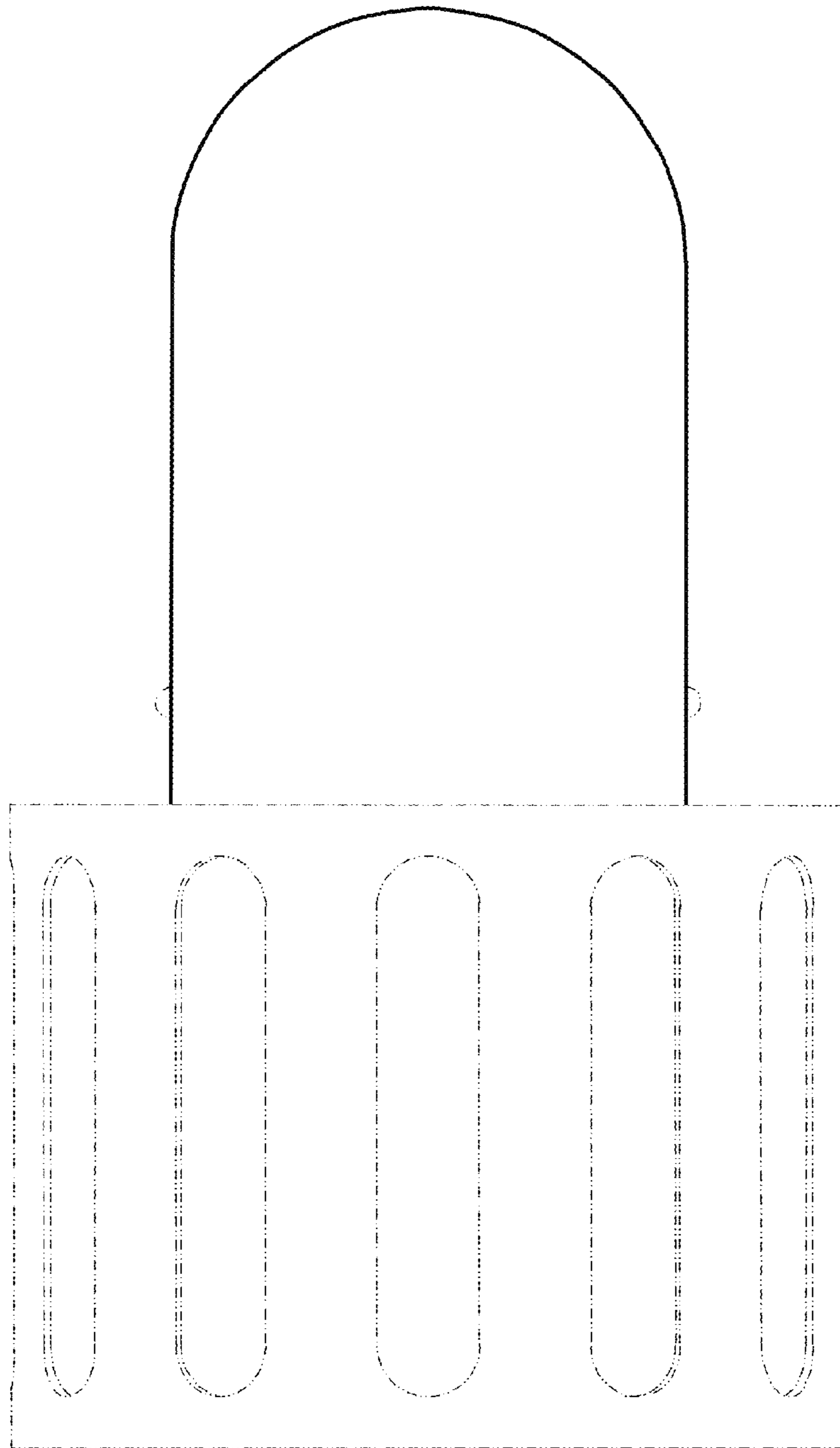


Figure 3

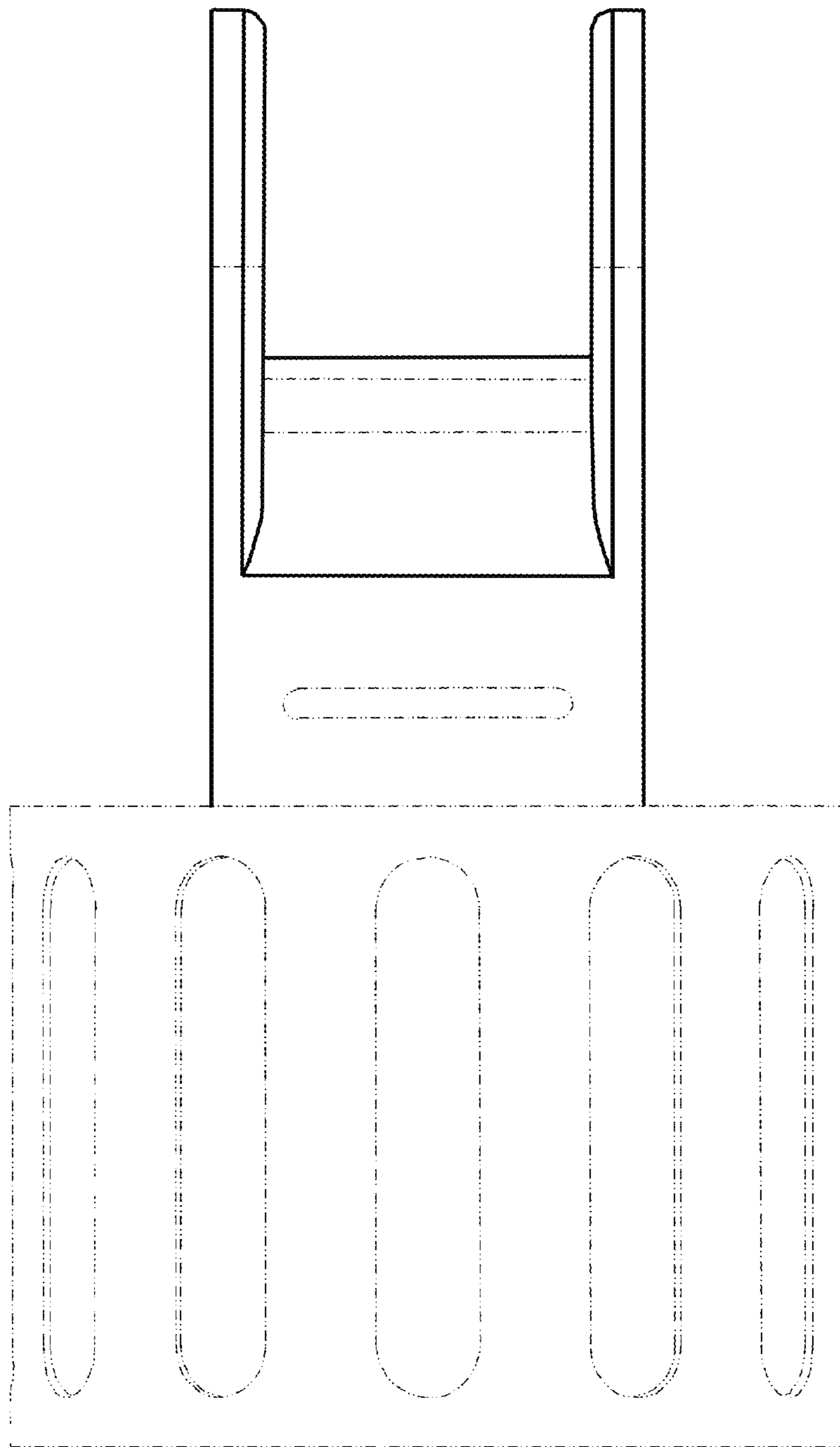


Figure 4

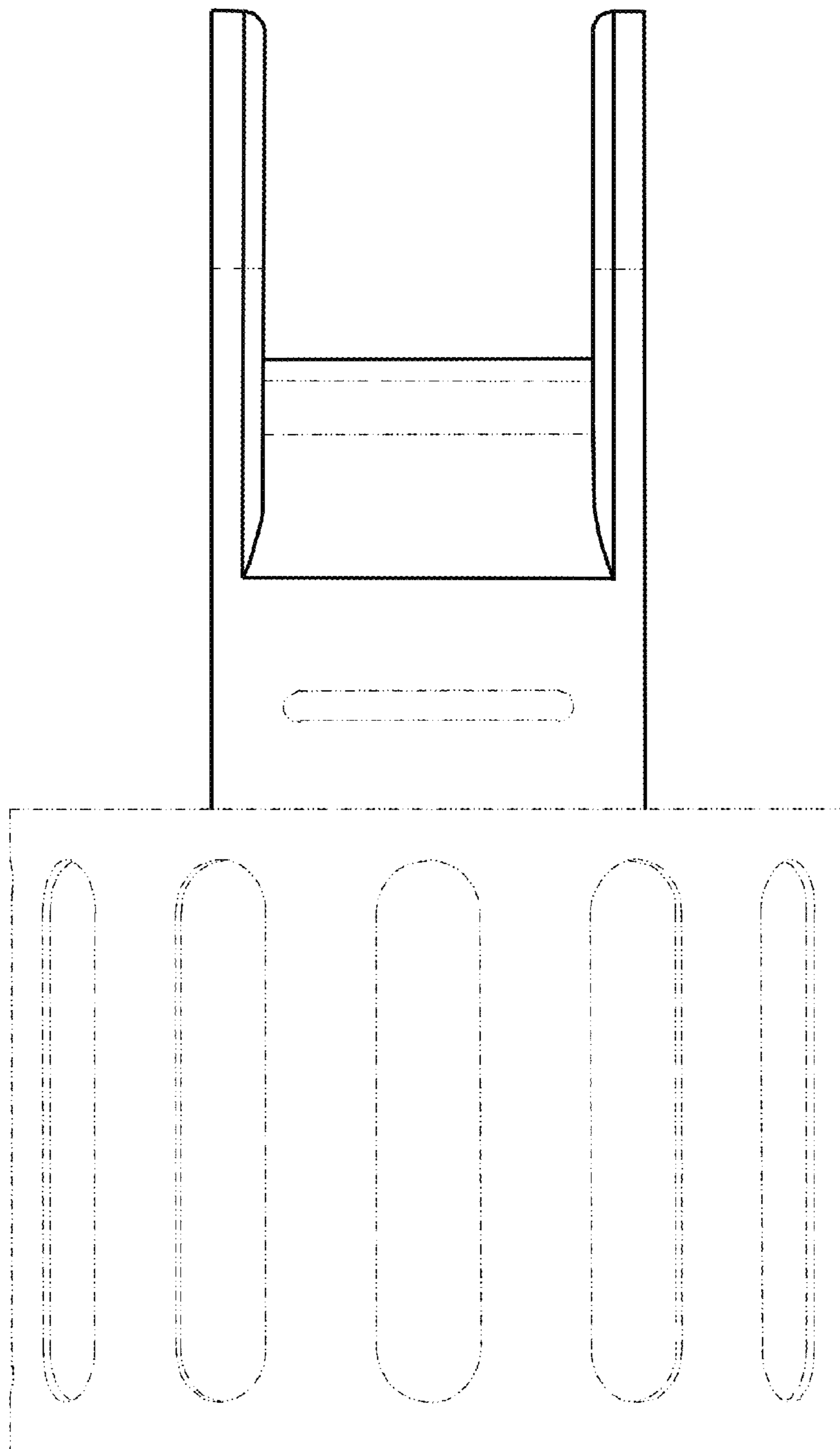


Figure 5

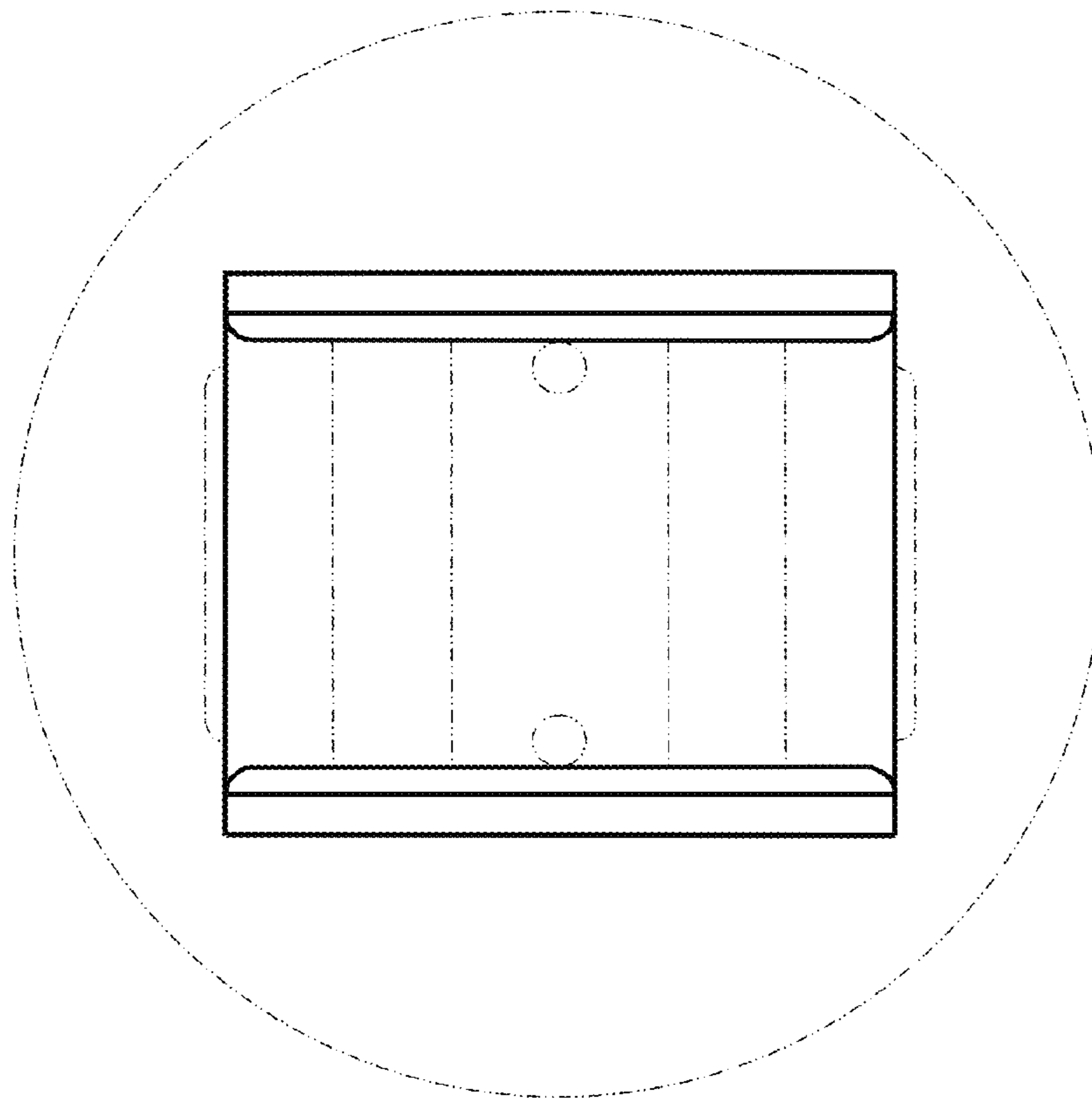


Figure 6

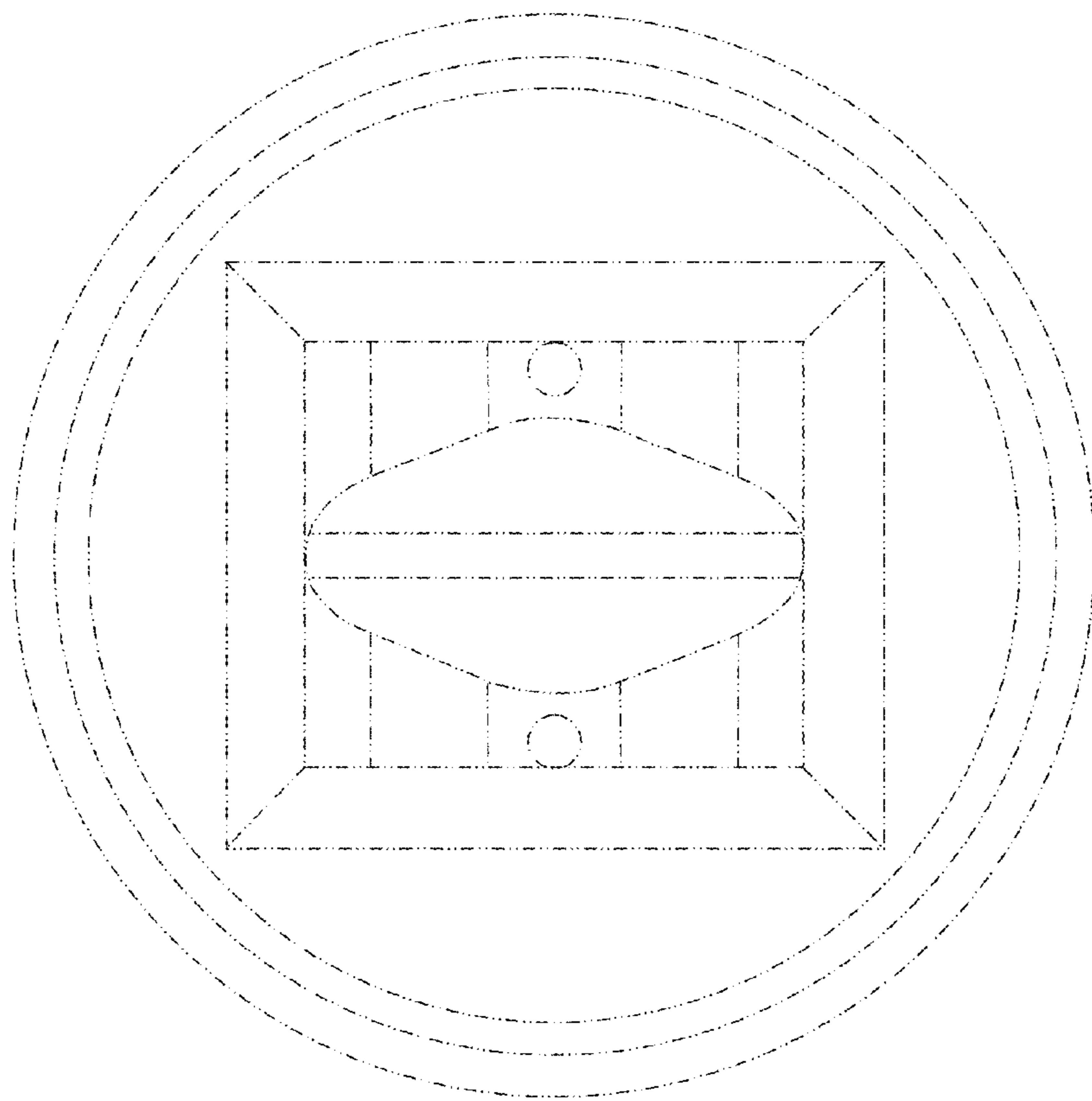


Figure 7