



US00D709371S

(12) **United States Design Patent**  
**Santarelli et al.**

(10) **Patent No.:** **US D709,371 S**  
(45) **Date of Patent:** **\*\* Jul. 22, 2014**

(54) **DISPENSING CLOSURE**

(56) **References Cited**

- (71) Applicant: **MBF Embalagens Ltda.**, Maringa/PR (BR)
- (72) Inventors: **Marcelo Santarelli**, Buesos Aires (AR);  
**Luis Agustin Barrera**, Buenos Aires (AR); **Timothy M. Mazurkiewicz**, Milwaukee, WI (US)
- (73) Assignee: **MBF Embalagens Ltda.**, Maringa/PR (BR)

U.S. PATENT DOCUMENTS

D434,659	S	*	12/2000	Lonczak et al.	.....	D9/449
D436,039	S	*	1/2001	Moretti	.....	D9/448
D505,327	S	*	5/2005	Bakic	.....	D9/449
D508,202	S	*	8/2005	Dobson et al.	.....	D9/447
D517,489	S	*	3/2006	Kawase et al.	.....	D13/147
D576,038	S	*	9/2008	Mazurkiewicz et al.	.....	D9/449
D601,425	S	*	10/2009	Miller et al.	.....	D9/522
D617,189	S	*	6/2010	Casey et al.	.....	D9/447
D618,098	S	*	6/2010	Casey et al.	.....	D9/447
D625,186	S	*	10/2010	Rossignol	.....	D9/448
D626,411	S	*	11/2010	Lohrman	.....	D9/449
D638,705	S	*	5/2011	Schawo	.....	D9/443

\* cited by examiner

(\*\*) Term: **14 Years**

*Primary Examiner* — Robert M Spear

(21) Appl. No.: **29/436,118**

(74) *Attorney, Agent, or Firm* — William J. Sapone; Ware Fressola Maguire & Barber LLP

(22) Filed: **Nov. 1, 2012**

(57) **CLAIM**

(51) **LOC (10) Cl.** ..... **09-07**

We claim the ornamental design for a dispensing closure, as shown and described.

(52) **U.S. Cl.**

**DESCRIPTION**

USPC ..... **D9/447**; D9/449

(58) **Field of Classification Search**

CPC ..... B65D 47/243

USPC ..... D9/434, 435, 439, 440, 443, 446, 447, D9/448, 449, 453, 454, 417; D7/396.2, D7/392.1; 215/235, 236, 307, 311; 220/254.2–254.5, 259.3, 26, 715, 837; 222/212, 484, 525, 556, 566; 493/87

FIG. 1 is a front perspective view of the dispensing closure showing our new design;  
FIG. 2 is a front view thereof;  
FIG. 3 is a rear view thereof;  
FIG. 4 is a left side view thereof;  
FIG. 5 is right side view thereof;  
FIG. 6 is a top view thereof; and  
FIG. 7 is a bottom view thereof.

The broken lines in the drawings represent unclaimed environmental subject matter and form no part of the claim.

See application file for complete search history.

**1 Claim, 3 Drawing Sheets**

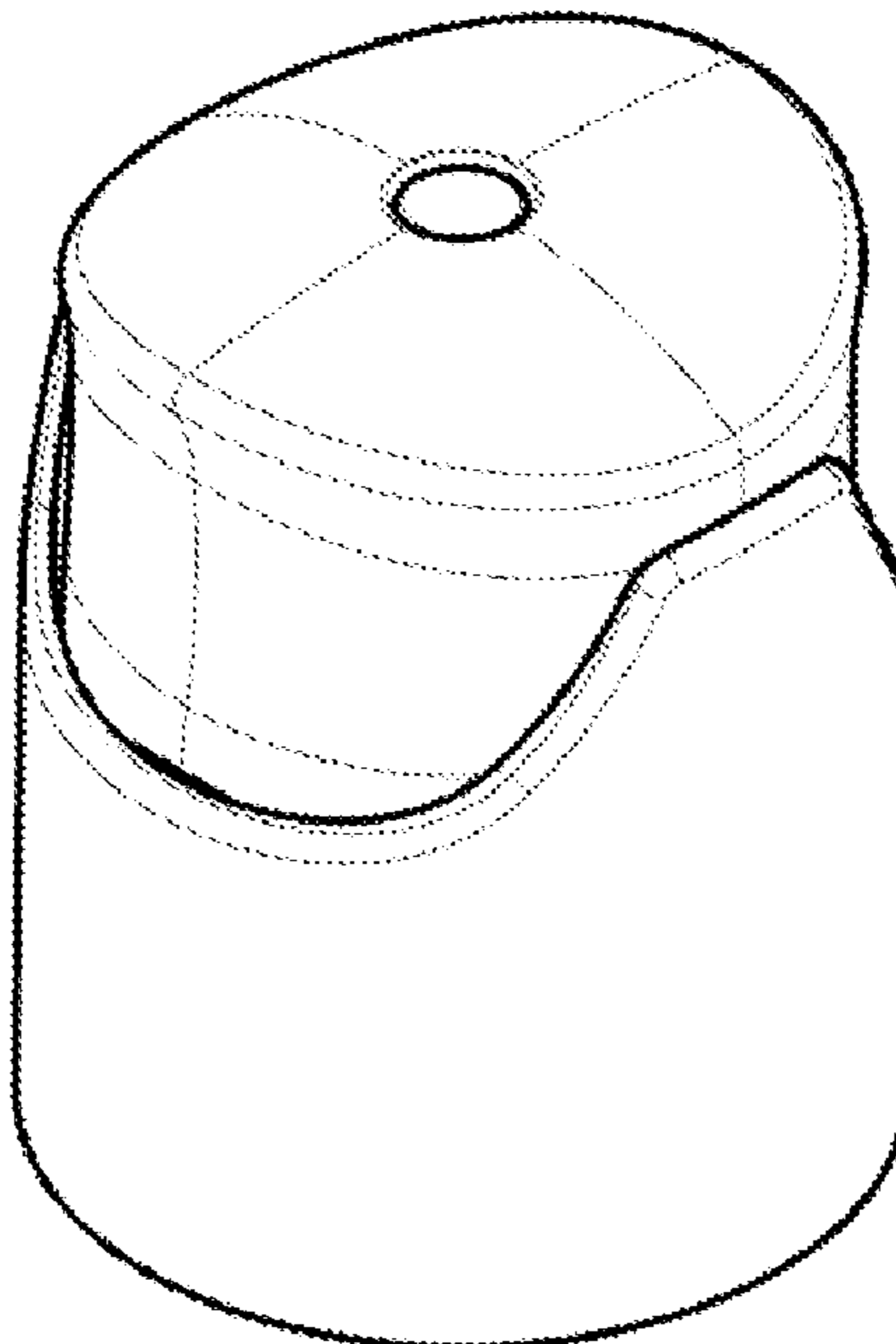


FIG.1

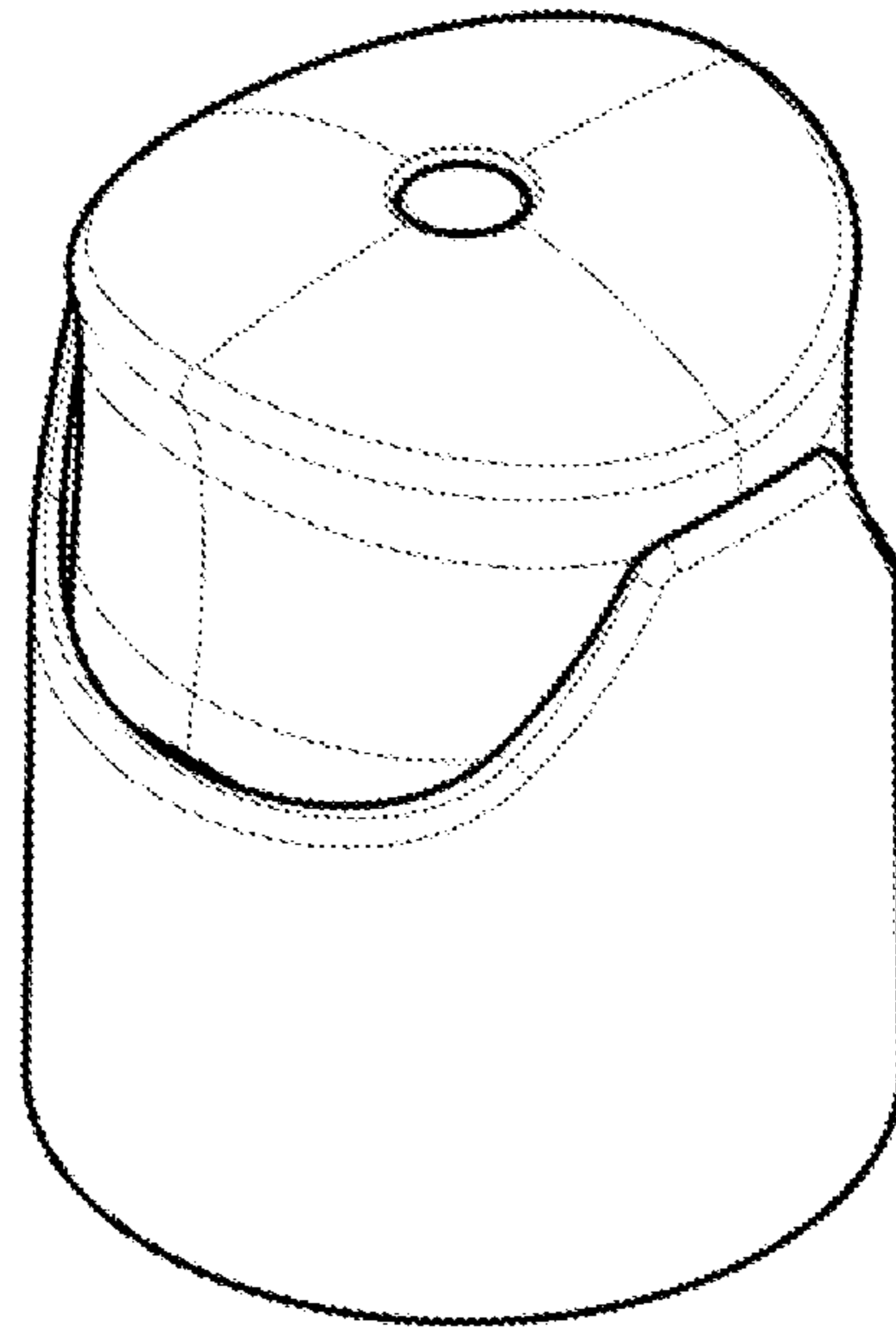


FIG.2

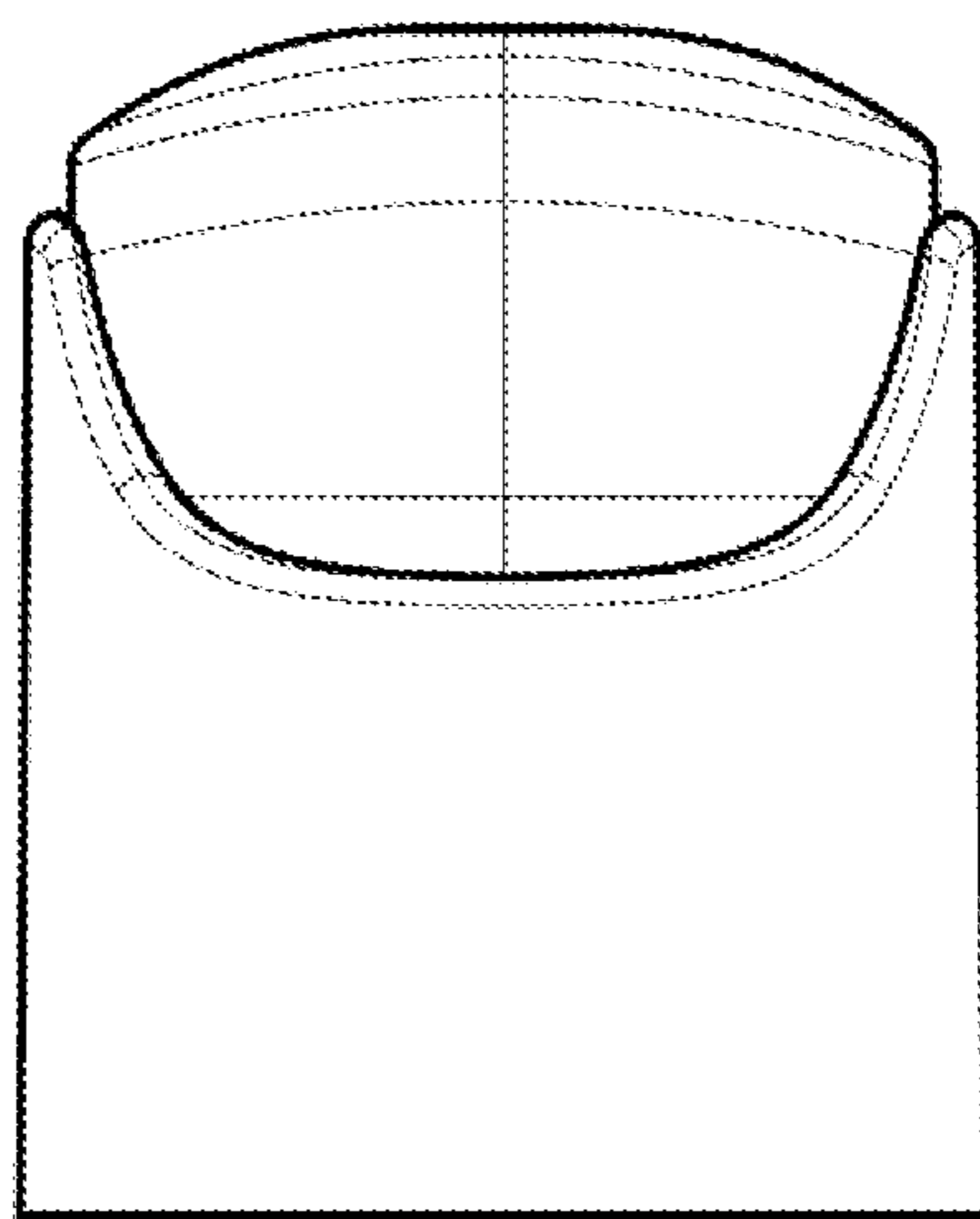


FIG.3

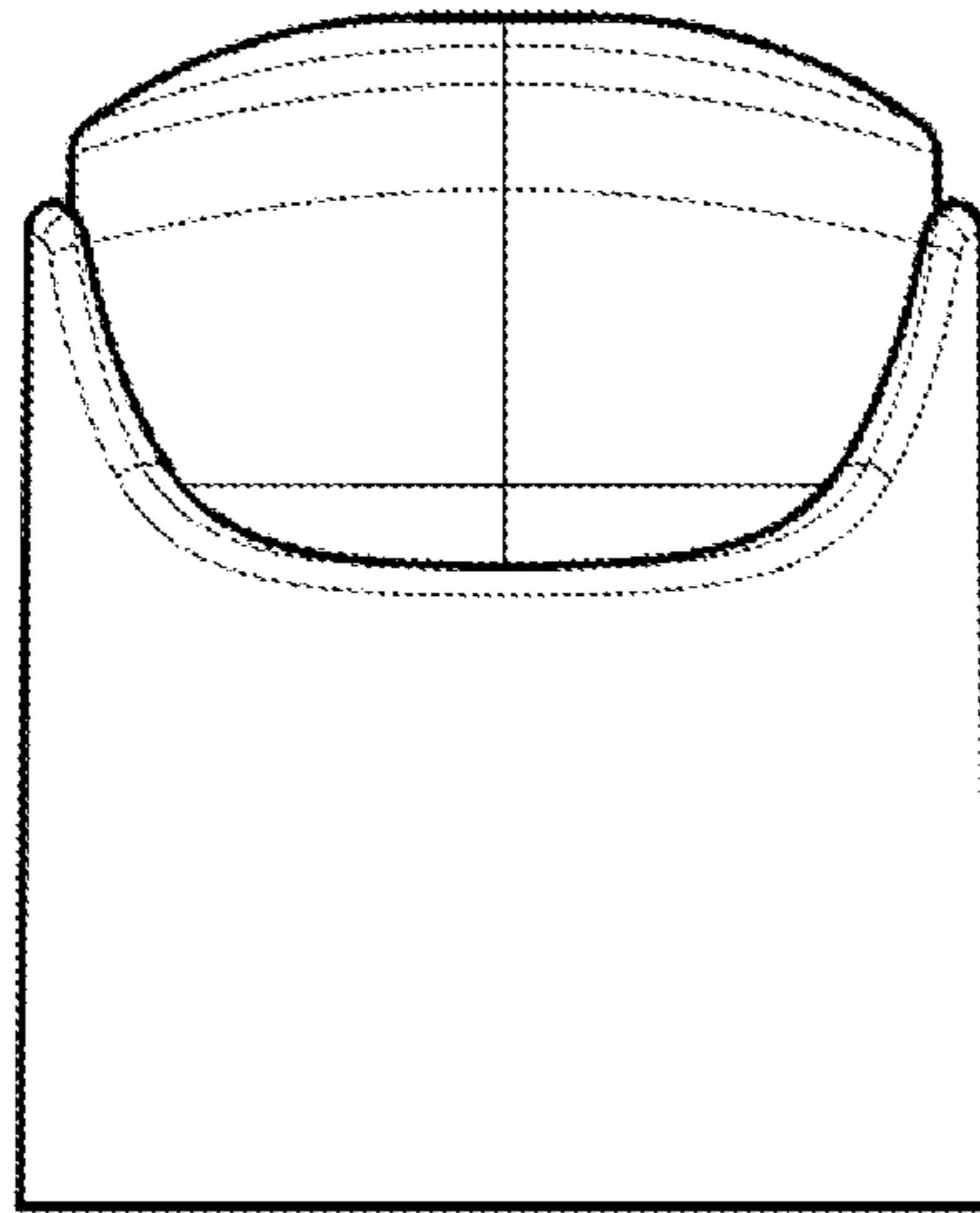


FIG.4

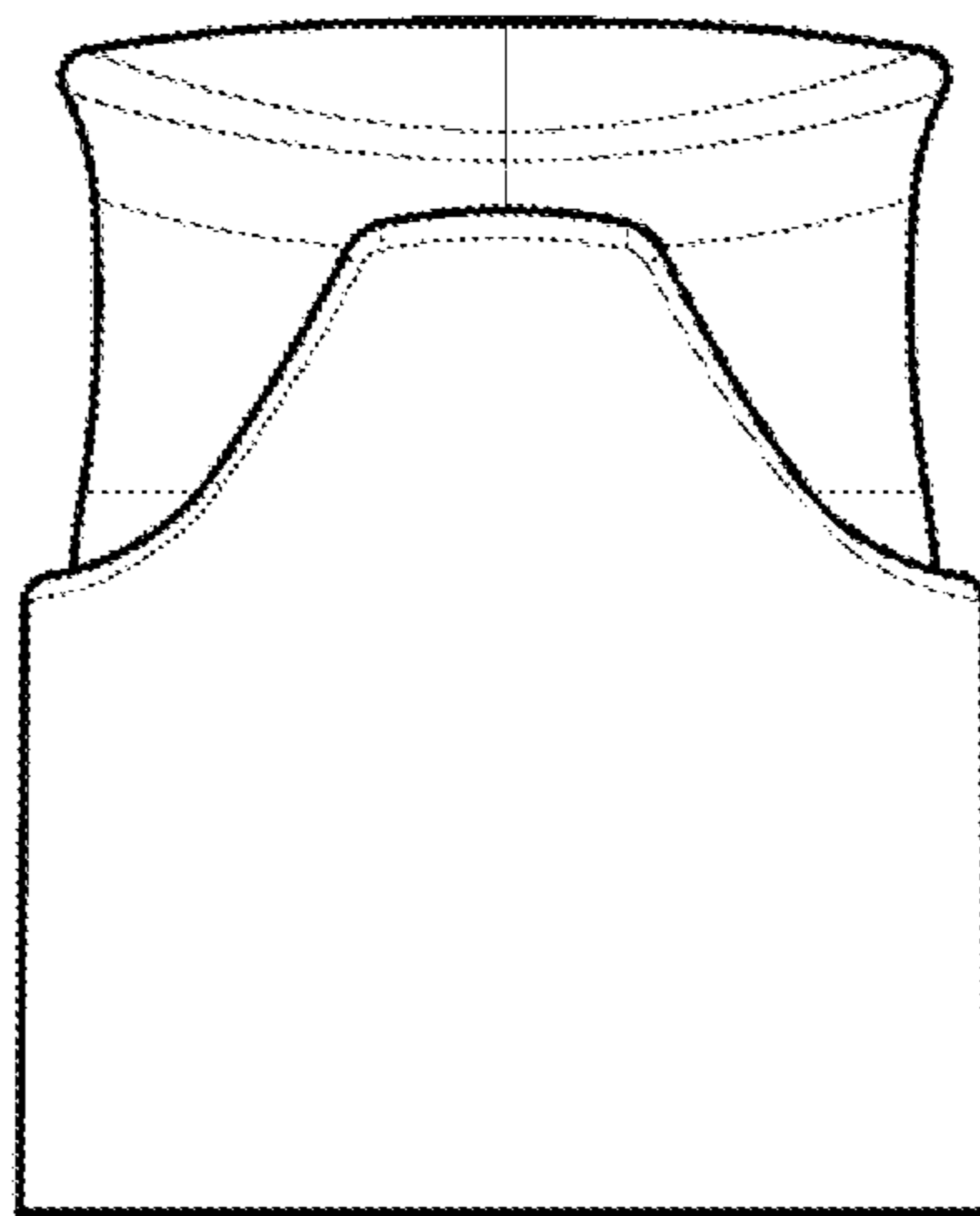


FIG.5

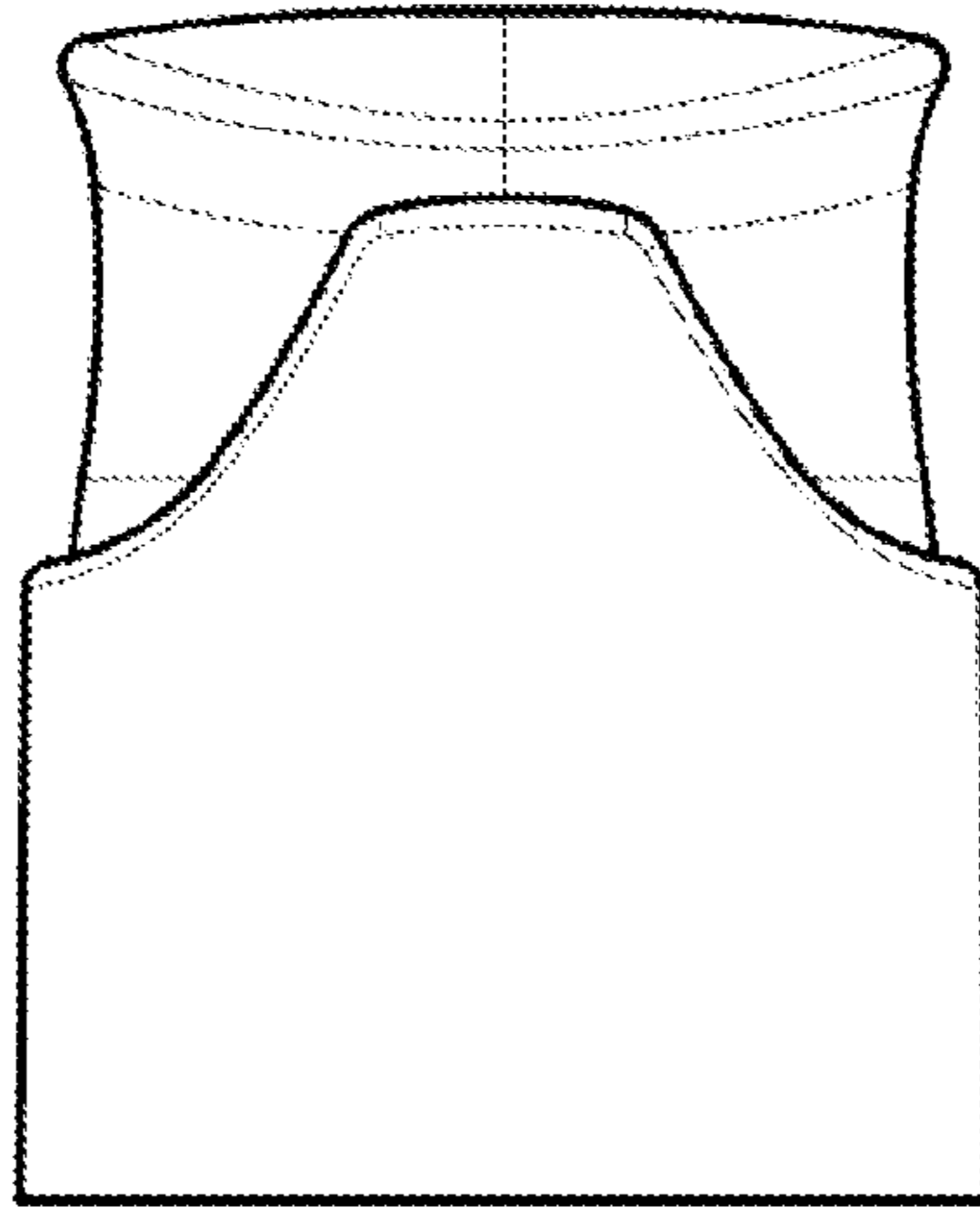


FIG.6

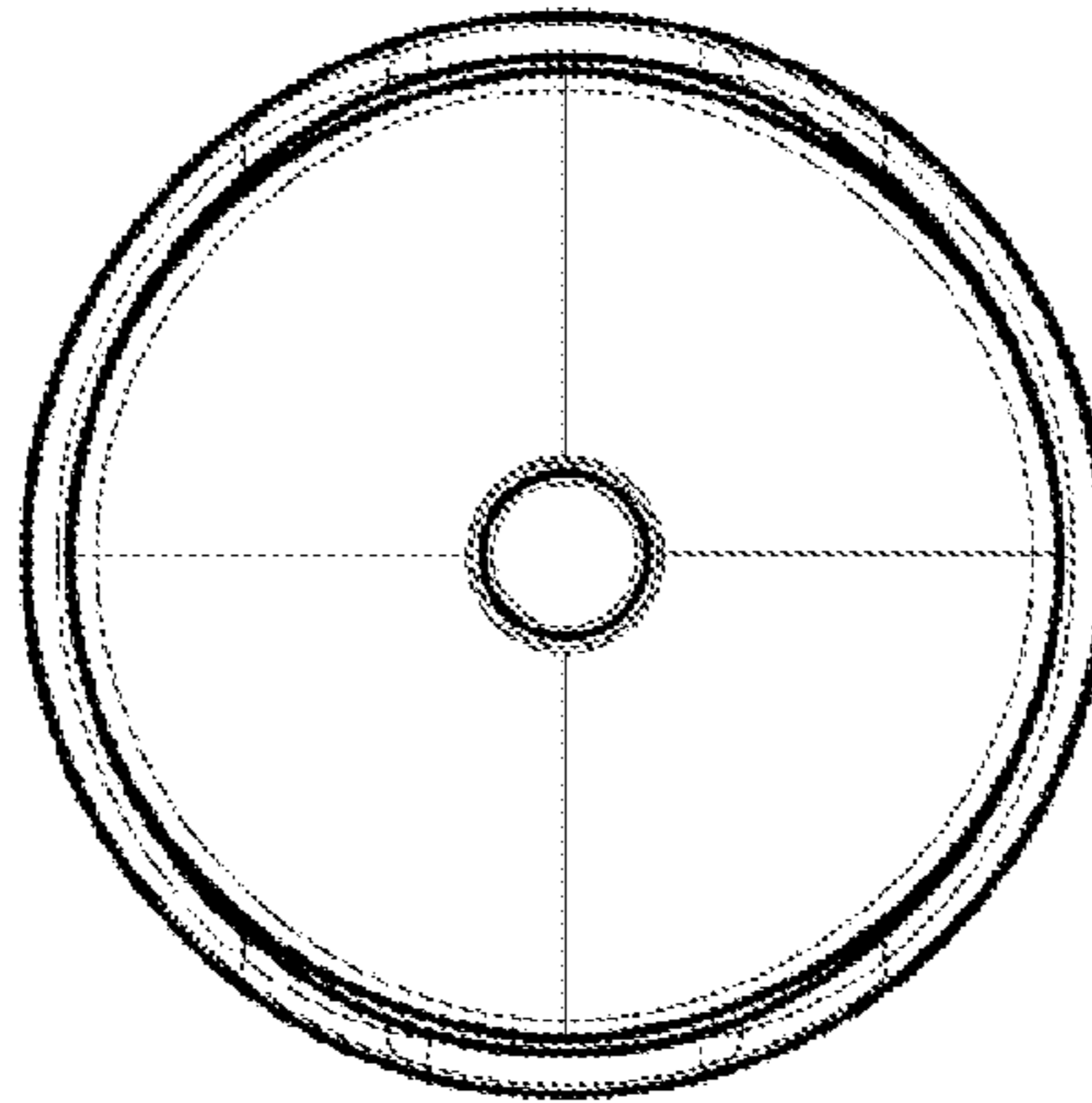


FIG.7

