



US00D709370S

(12) **United States Design Patent**
Van Hoof

(10) **Patent No.:** **US D709,370 S**
(45) **Date of Patent:** **** Jul. 22, 2014**

- (54) **COVER FOR SPRAY CAN**
- (71) Applicant: **Koninklijke Utermöhlen N.V.**, Wolvega (NL)
- (72) Inventor: **Damien Van Hoof**, Nijeberkoop (NL)
- (73) Assignee: **Koninklijke Utermohlen N.V.**, Wolvega (NL)
- (**) Term: **14 Years**
- (21) Appl. No.: **29/452,405**
- (22) Filed: **Apr. 16, 2013**
- (51) **LOC (10) Cl.** **09-01**
- (52) **U.S. Cl.**
USPC **D9/445**; D9/454
- (58) **Field of Classification Search**
USPC D9/434, 448, 682-694, 445, 444,
D9/500-504, 538, 546; 239/337, 573;
D23/224, 227; D22/115-116; 222/182,
222/183
See application file for complete search history.

D511,097	S	*	11/2005	Sherratt	D9/503
D528,001	S	*	9/2006	Schroeder et al.	D9/502
D528,002	S	*	9/2006	Schroeder et al.	D9/502
D536,977	S	*	2/2007	Schroeder et al.	D9/502
D580,273	S	*	11/2008	Stinesen et al.	D9/682
7,604,632	B2		10/2009	Howlett et al.		
2005/0043723	A1		2/2005	Howlett et al.		
2009/0209952	A1		8/2009	Van Der Heijden et al.		

FOREIGN PATENT DOCUMENTS

EP	1586277	A1	10/2005
GB	2 244 922	A	12/1991
WO	WO00/10889	A2	3/2000
WO	WO2006/004407	A2	1/2006

* cited by examiner

Primary Examiner — Susan Bennett Hattan
Assistant Examiner — Brett Miller
(74) *Attorney, Agent, or Firm* — Hoffmann & Baron, LLP

(57) **CLAIM**

The ornamental design for a cover for spray can, as shown and described.

(56) **References Cited**

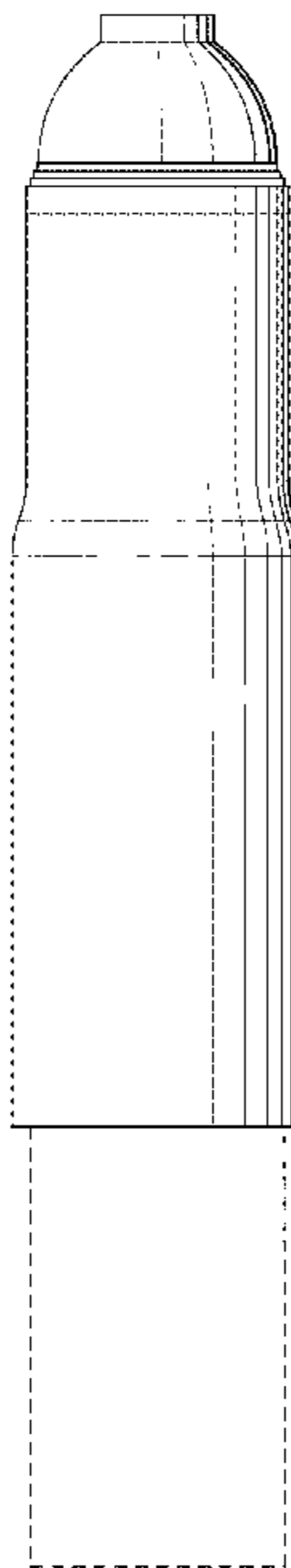
U.S. PATENT DOCUMENTS

2,577,245	A	*	12/1951	Tuttle et al.	137/382
2,904,225	A	*	9/1959	Earles, Jr.	222/183
3,739,941	A		6/1973	Ostrwosky et al.		
3,823,427	A		7/1974	Pittet		
D256,776	S	*	9/1980	Monnet	D9/500
D268,987	S	*	5/1983	Smith	D9/680
D292,375	S	*	10/1987	Jacobs et al.	D9/500
D352,875	S	*	11/1994	Story et al.	D8/14
D357,177	S	*	4/1995	Labus	D9/690
6,226,996	B1		5/2001	Weber et al.		
D447,209	S	*	8/2001	Benini	D22/116

DESCRIPTION

FIG. 1 is a side view of a cover for spray can.
FIG. 2 is a perspective view of the cover for spray can.
FIG. 3 is a side view of the cover for spray can.
FIG. 4 is a top view of the cover for spray can; and,
FIG. 5 is a bottom view of the cover for spray can.
The broken line showing of the spray can in FIGS. 1, 4 and 5 is included for the purpose of illustrating environmental structure and forms no part of the claimed design.

1 Claim, 3 Drawing Sheets



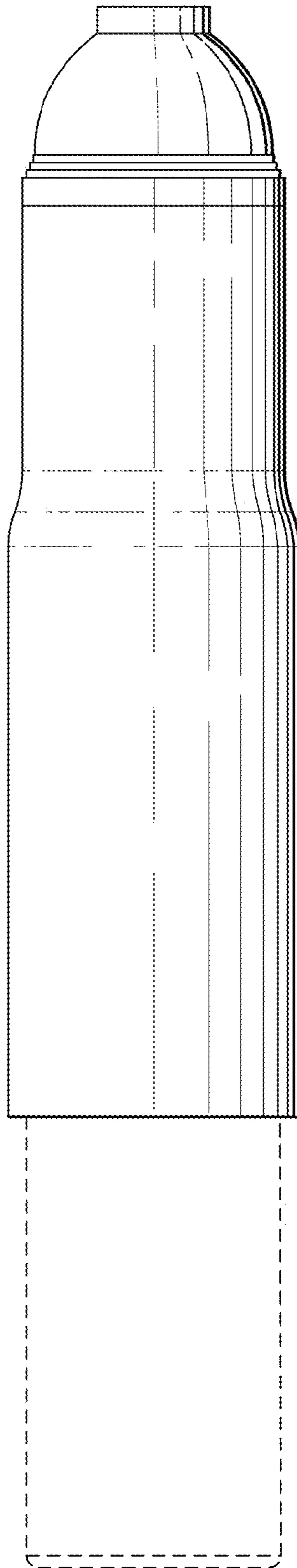


FIG. 1

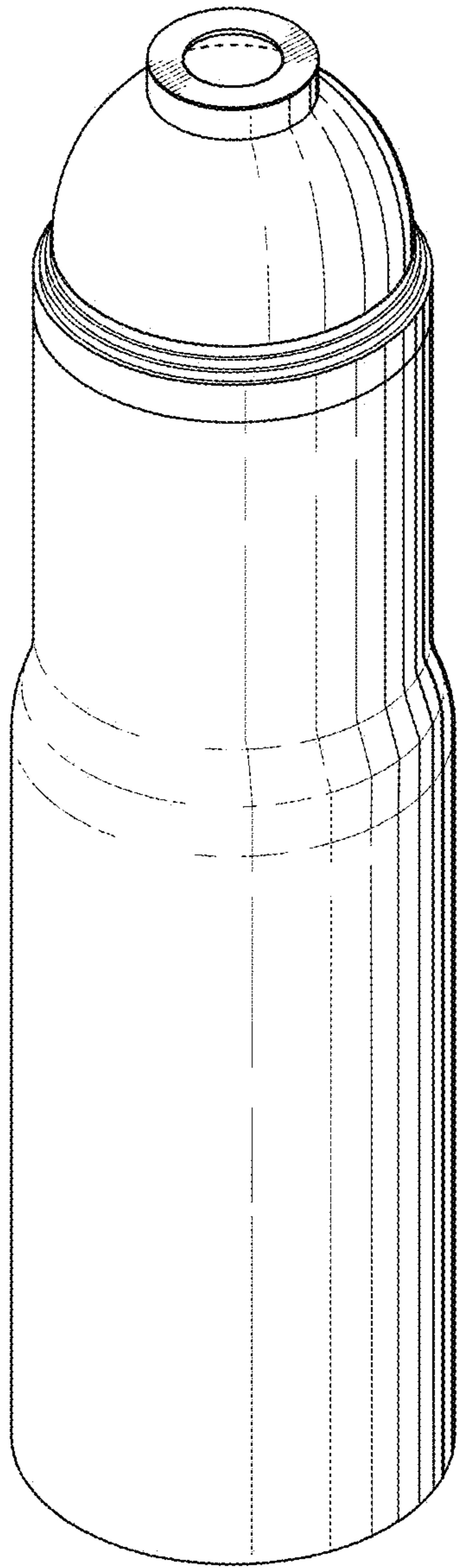


FIG. 2

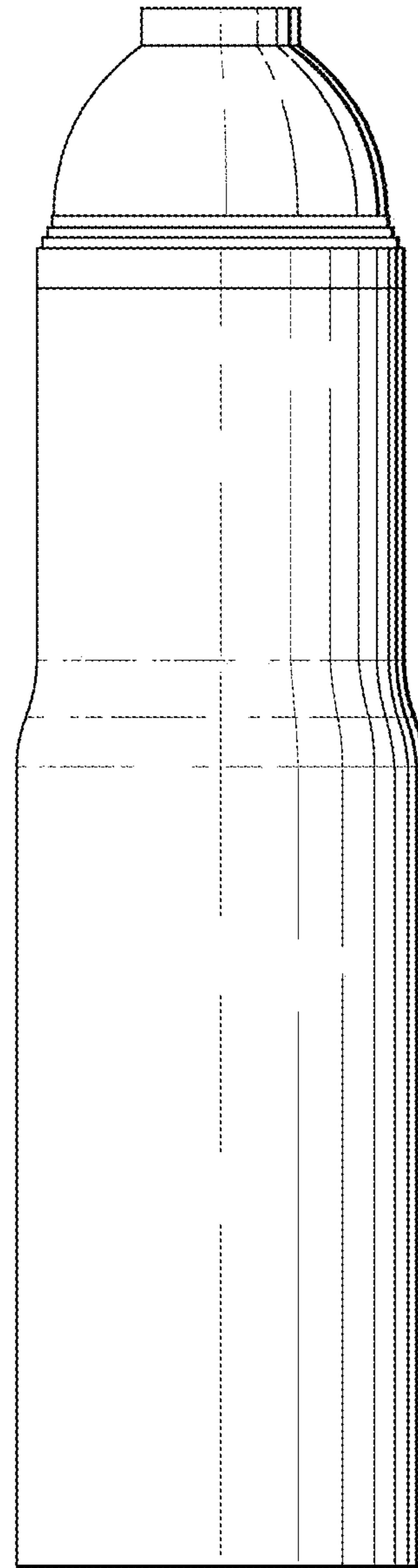


FIG. 3

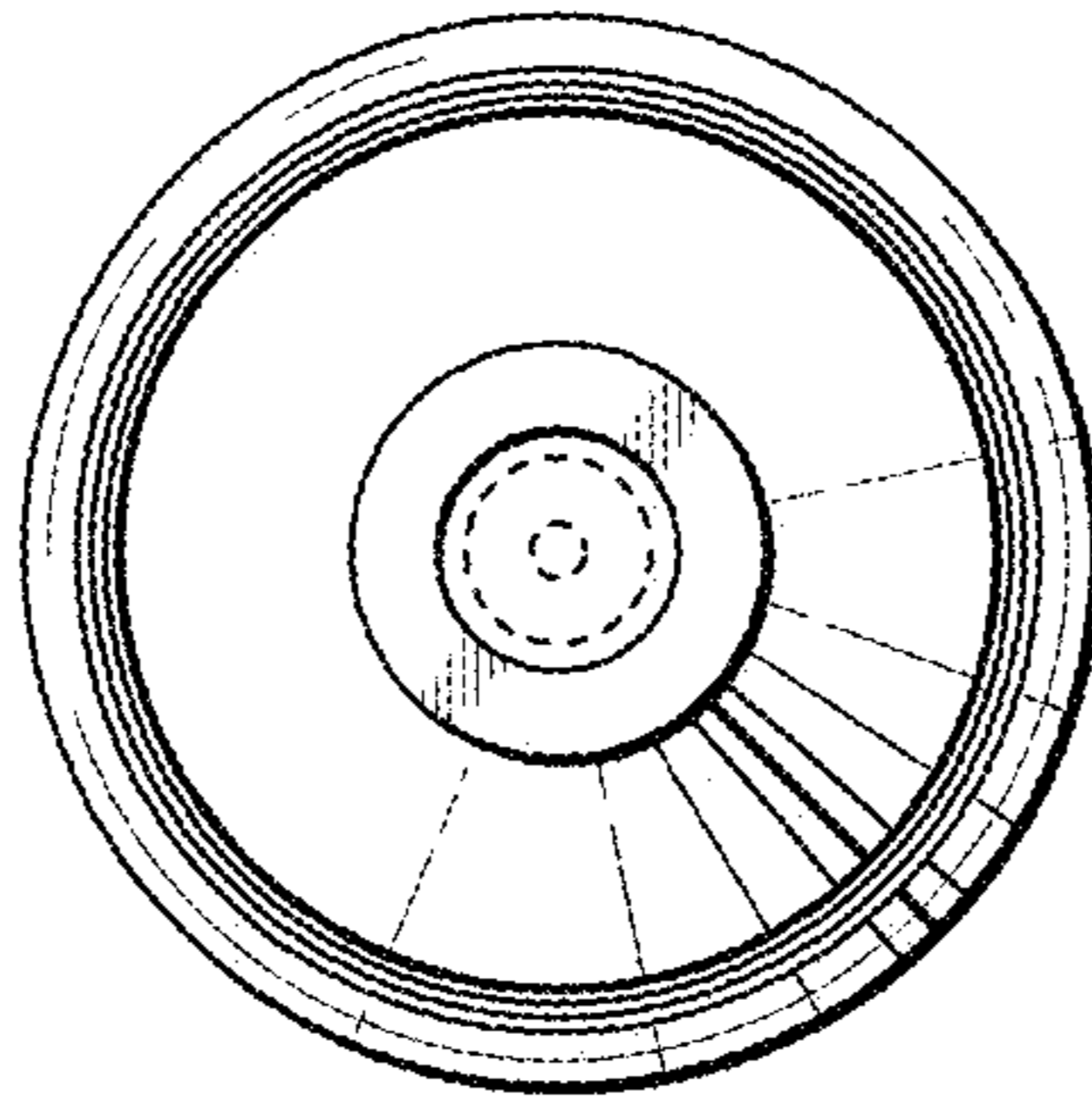


FIG. 4

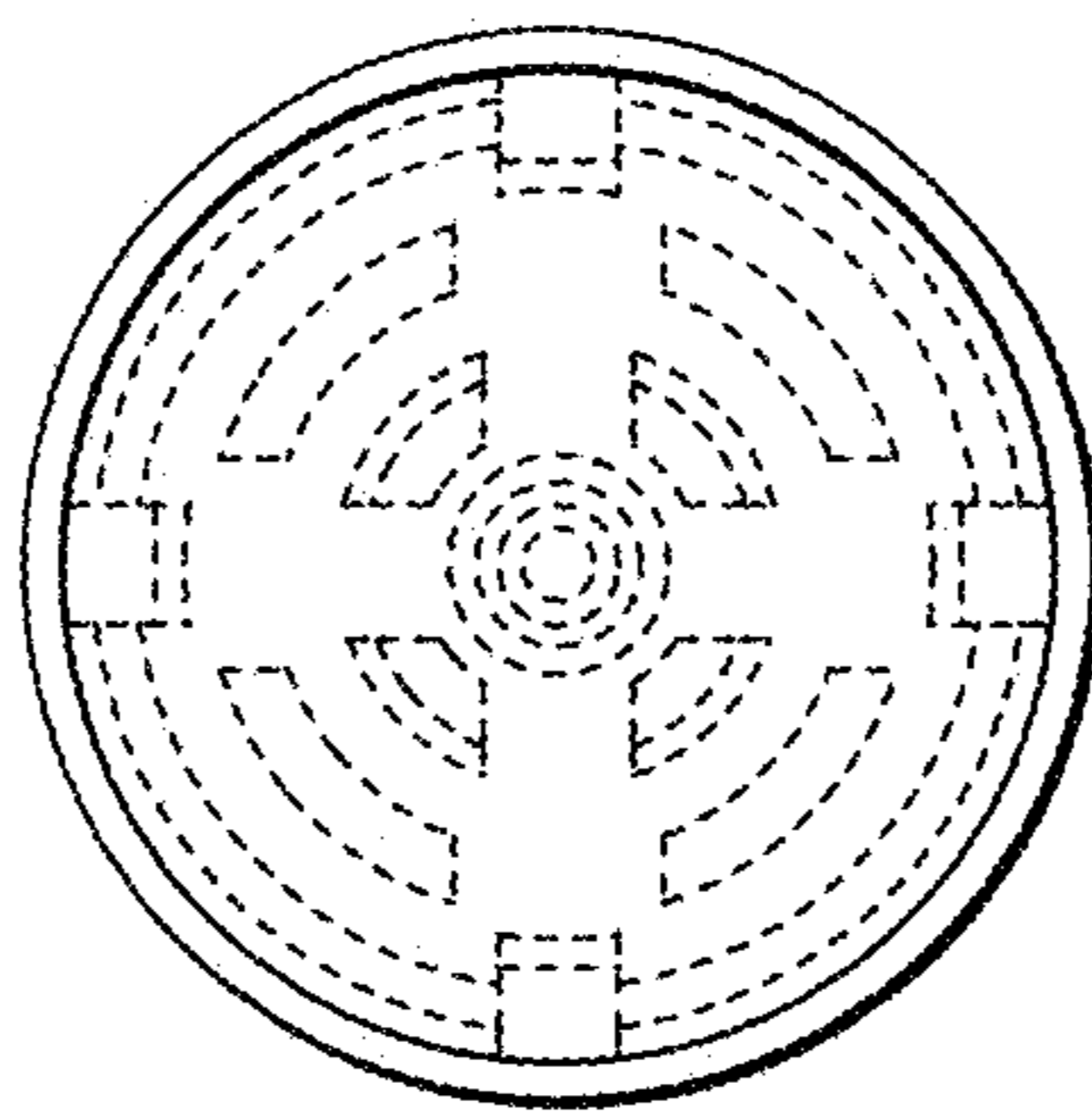


FIG. 5