



US00D709369S

(12) **United States Design Patent**
van de Klippe et al.

(10) **Patent No.:** **US D709,369 S**

(45) **Date of Patent:** **** *Jul. 22, 2014**

(54) **PRESS-IN INSERT FOR CONTAINERS**

(71) Applicant: **Greif International Holding BV**,
Vreeland (NL)

(72) Inventors: **Cornelis R. van de Klippe**, West
Chicago, IL (US); **Steven J. Talaga**,
South Elgin, IL (US); **Dale W. Taylor**,
Hamilton, IN (US)

(73) Assignee: **Greif International Holding BV**,
Vreeland (NL)

(*) Notice: This patent is subject to a terminal dis-
claimer.

(**) Term: **14 Years**

(21) Appl. No.: **29/446,451**

(22) Filed: **Feb. 23, 2013**

(51) **LOC (10) Cl.** **09-07**

(52) **U.S. Cl.**
USPC **D9/440**

(58) **Field of Classification Search**
USPC D8/14, 21, 83, 107; D9/434, 435, 439,
D9/440, 443, 452, 447; D23/260; D34/10,
D34/11, 39; 16/110.1; 220/200, 234, 256.1,
220/288, 304, 320; 215/329, 252; 285/201,
285/202, 203; 81/489

See application file for complete search history.

(56) **References Cited**

U.S. PATENT DOCUMENTS

1,798,491 A * 3/1931 Perry 220/304
1,822,114 A * 9/1931 Schwartz 220/288

2,306,180 A * 12/1942 Myers et al. 220/200
D202,827 S * 11/1965 Elkner D9/453
3,757,986 A * 9/1973 Eichinger 220/304
D230,013 S * 1/1974 Emerson D9/434
D233,138 S * 10/1974 Vogel D9/453
D262,192 S * 12/1981 Wedge D9/435
D273,561 S * 4/1984 Ozaki et al. D8/397
D281,953 S * 12/1985 Newman D8/397
D286,508 S * 11/1986 Tilden D9/435
D388,933 S * 1/1998 Hunter et al. D34/39
D402,354 S * 12/1998 Strong et al. D23/259
D491,062 S * 6/2004 Hoff D9/435
D533,329 S * 12/2006 Baughman D34/39
D556,007 S * 11/2007 Hung D8/107
D602,778 S * 10/2009 Stalions D9/447
2004/0256393 A1 * 12/2004 Van De Klippe et al. 220/304
2008/0087670 A1 * 4/2008 Van De Klippe et al. 220/304

* cited by examiner

Primary Examiner — Susan Bennett Hattan

Assistant Examiner — Leanne Thomas

(74) *Attorney, Agent, or Firm* — Baker Hostetler LLP

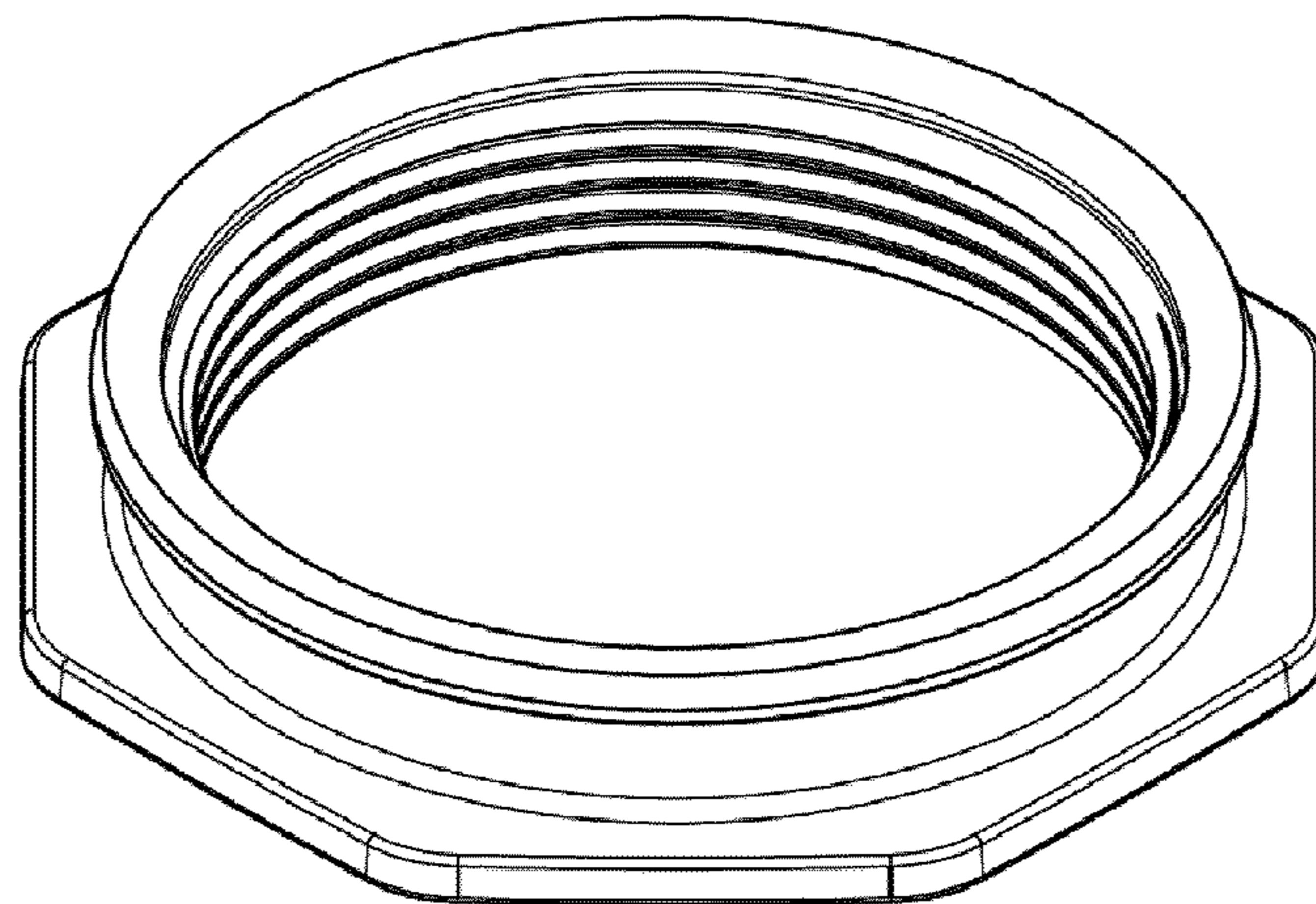
(57) **CLAIM**

The ornamental design for a press-in insert for containers, as
shown and described.

DESCRIPTION

FIG. 1 is a top, perspective view of a press-in insert showing
our new design;
FIG. 2 is a bottom, perspective view thereof;
FIG. 3 is a top view thereof;
FIG. 4 is a bottom view thereof;
FIG. 5 is a left side view thereof (to which the right side view,
front view and rear view correspond); and,
FIG. 6 is a cross-section thereof along the plane of lines 6-6 in
FIG. 3.

1 Claim, 5 Drawing Sheets



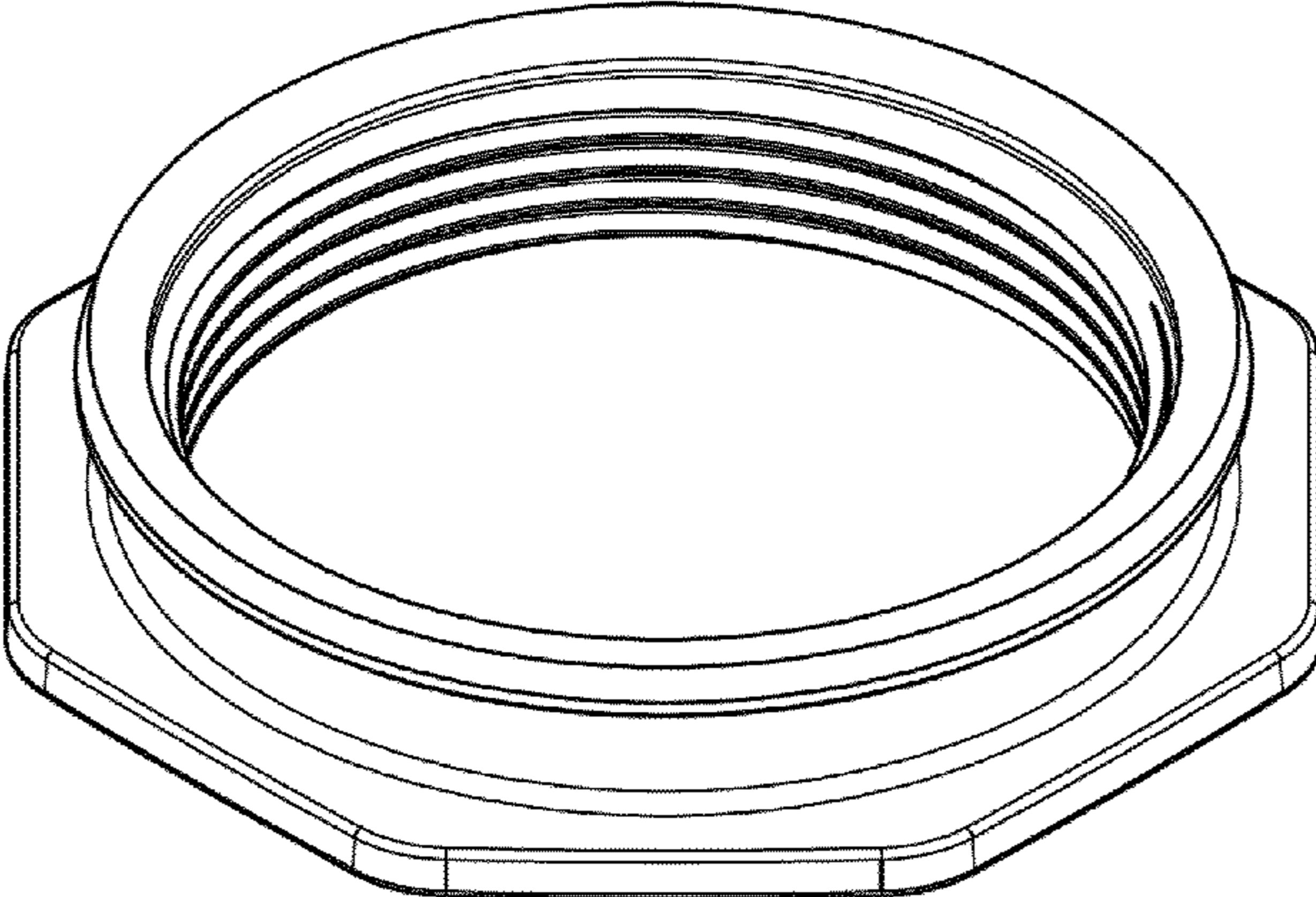


FIG. 1

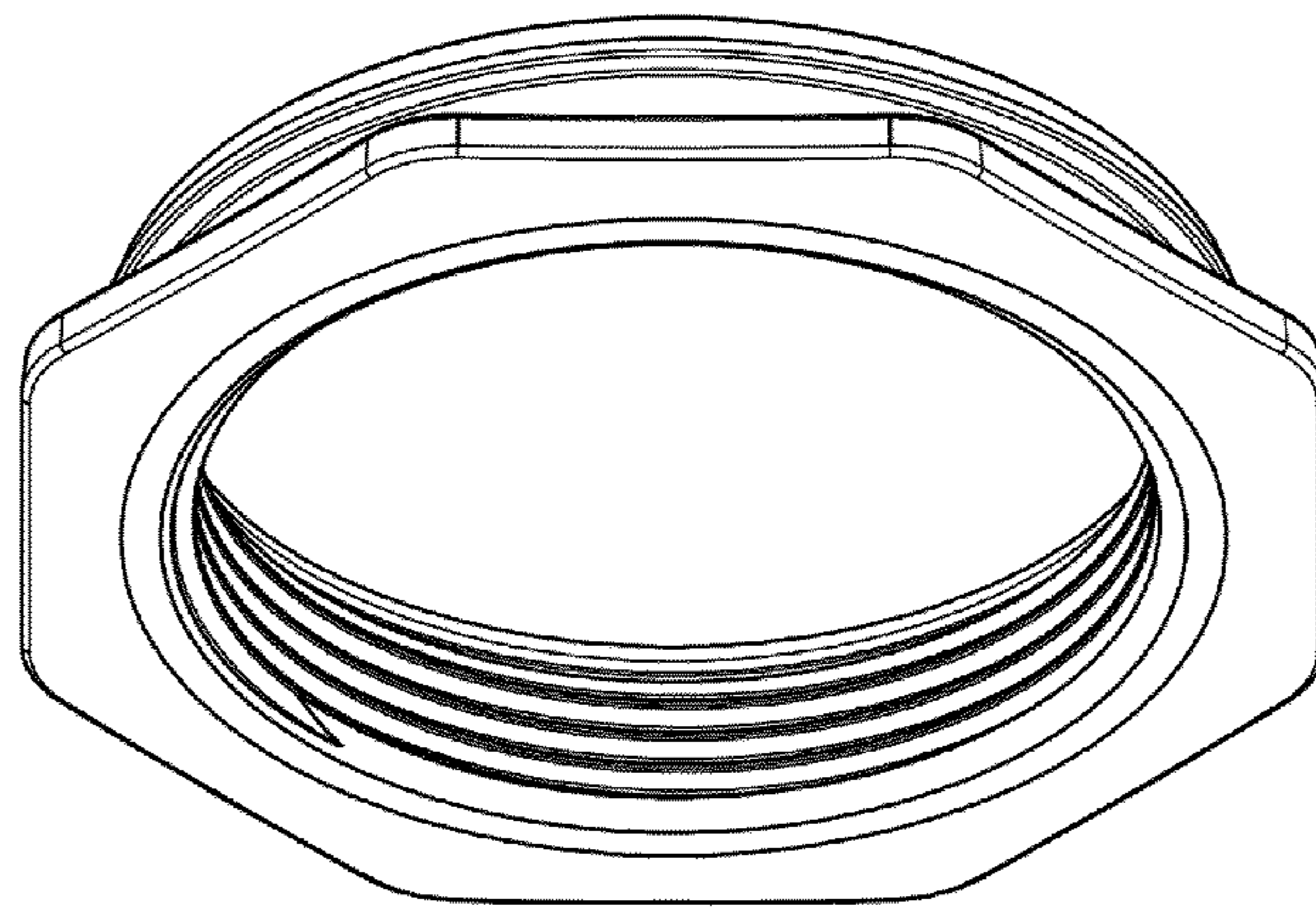


FIG. 2

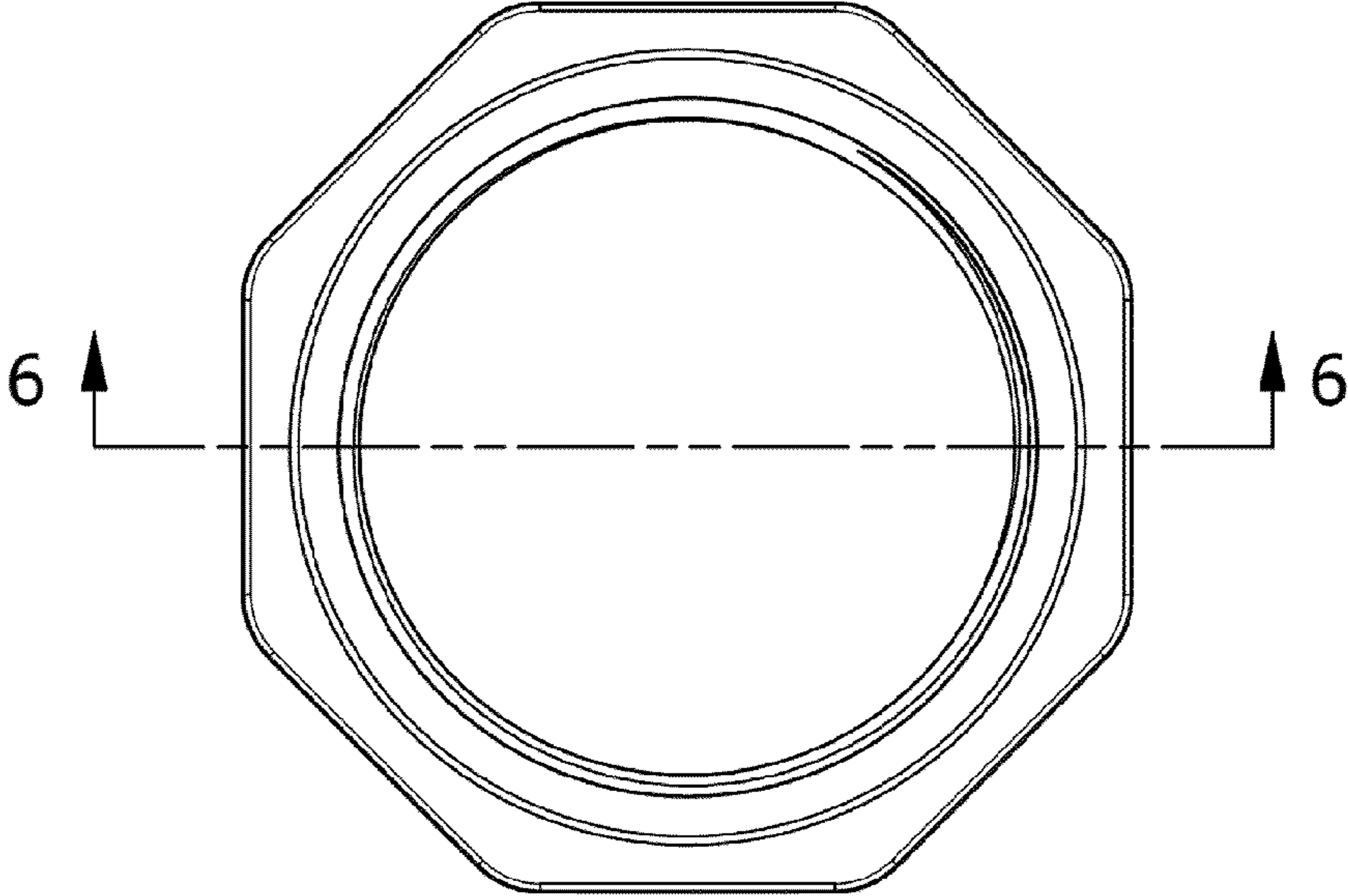


FIG. 3

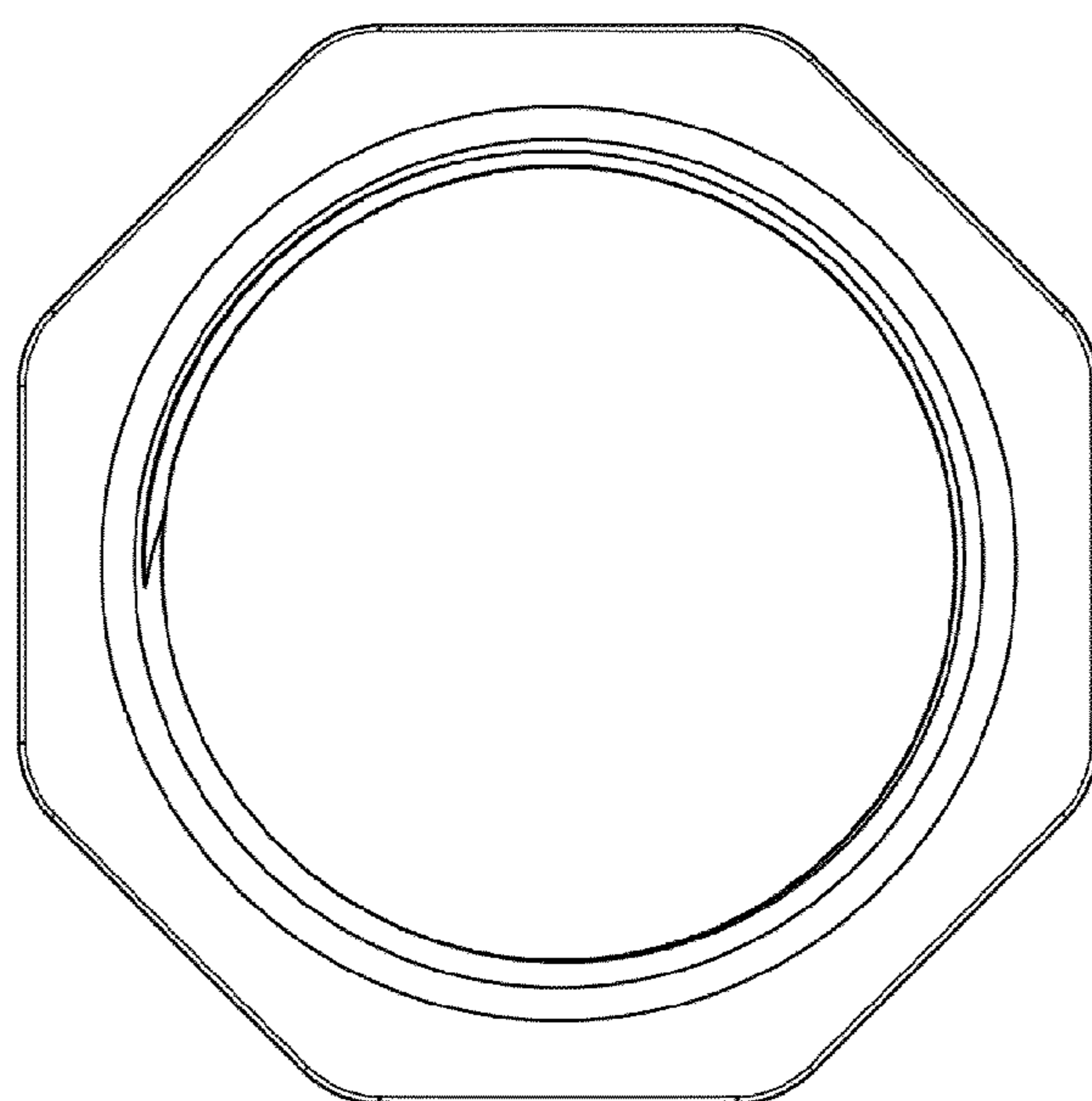


FIG. 4

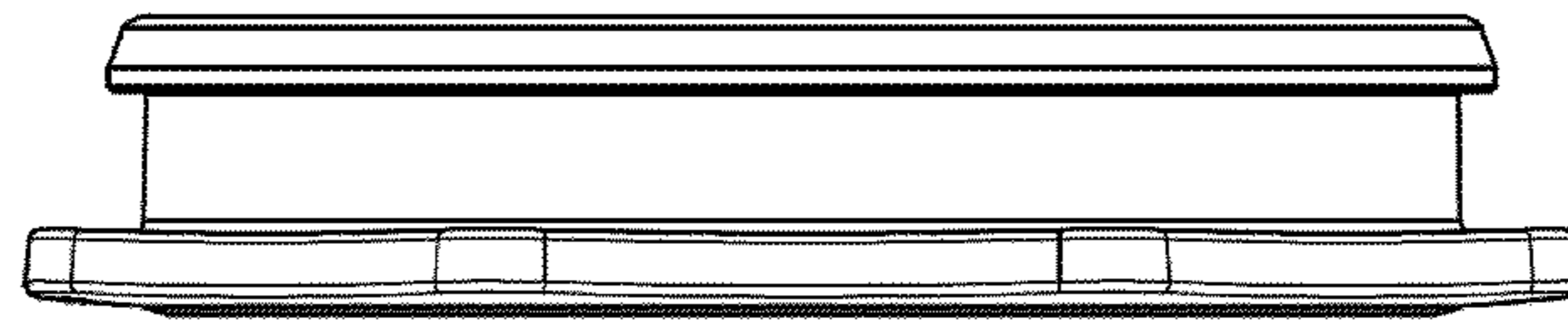


FIG. 5

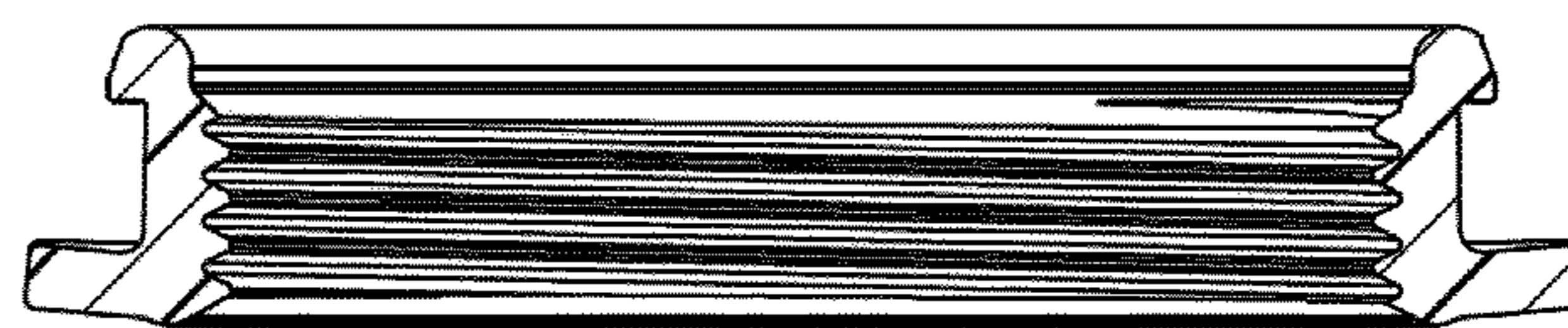


FIG. 6