



US00D709367S

(12) **United States Design Patent**
Fleming

(10) **Patent No.:** **US D709,367 S**
(45) **Date of Patent:** **** Jul. 22, 2014**

(54) **LID FOR BEVERAGE CONTAINER**

(71) Applicant: **Douglas H. Fleming**, Bainbridge Island, WA (US)

(72) Inventor: **Douglas H. Fleming**, Bainbridge Island, WA (US)

(**) Term: **14 Years**

(21) Appl. No.: **29/448,510**

(22) Filed: **Mar. 12, 2013**

(51) **LOC (10) Cl.** **09-07**

(52) **U.S. Cl.**
USPC **D9/435**

(58) **Field of Classification Search**
USPC D7/396.2; D9/435, 436, 437, 438, 440, D9/447, 449, 454; 215/200, 228, 250, 253, 215/387; 220/200, 367.1, 711, 712, 713, 220/752; 229/404

See application file for complete search history.

(56) **References Cited**

U.S. PATENT DOCUMENTS

2,358,600	A	9/1944	Selten
2,362,354	A	11/1944	Clovis
3,360,161	A	12/1967	Smith
3,400,855	A	9/1968	Alexander
3,868,043	A	2/1975	Freemyer
3,938,695	A	2/1976	Ruff
4,085,861	A	4/1978	Ruff
4,582,214	A	4/1986	Dart et al.
4,586,625	A	5/1986	Garrett
4,589,569	A	5/1986	Clements
4,609,124	A	9/1986	Malloy
4,619,372	A	10/1986	McFarland

(Continued)

FOREIGN PATENT DOCUMENTS

CA	2212228	7/2002
CA	2635219	7/2008

(Continued)

OTHER PUBLICATIONS

Louise Harpman & Scott Specht, Cabinet Magazine, Inventory/Peel, Pucker, Pinch, Puncture. Issue 19, Chance Fall 2005 (Sep. 2005). <http://www.cabinetmagazine.org/issues/19/harpman.php> (4 pages).

(Continued)

Primary Examiner — Susan Bennett Hattan

Assistant Examiner — Leanne Was

(74) *Attorney, Agent, or Firm* — R. Reams Goodloe, Jr.

(57) **CLAIM**

The ornamental design a lid for a beverage container, as shown and described.

DESCRIPTION

FIG. 1 is a top perspective view of a lid for a cup showing the novel lid design.

FIG. 2 is a front side view, taken looking at the front of the lid design.

FIG. 3 is a back side view, taken looking at the back of the lid design.

FIG. 4 is a left side view, taken looking at the left side of the lid design.

FIG. 5 is a right side view, taken looking at the right side of the lid design.

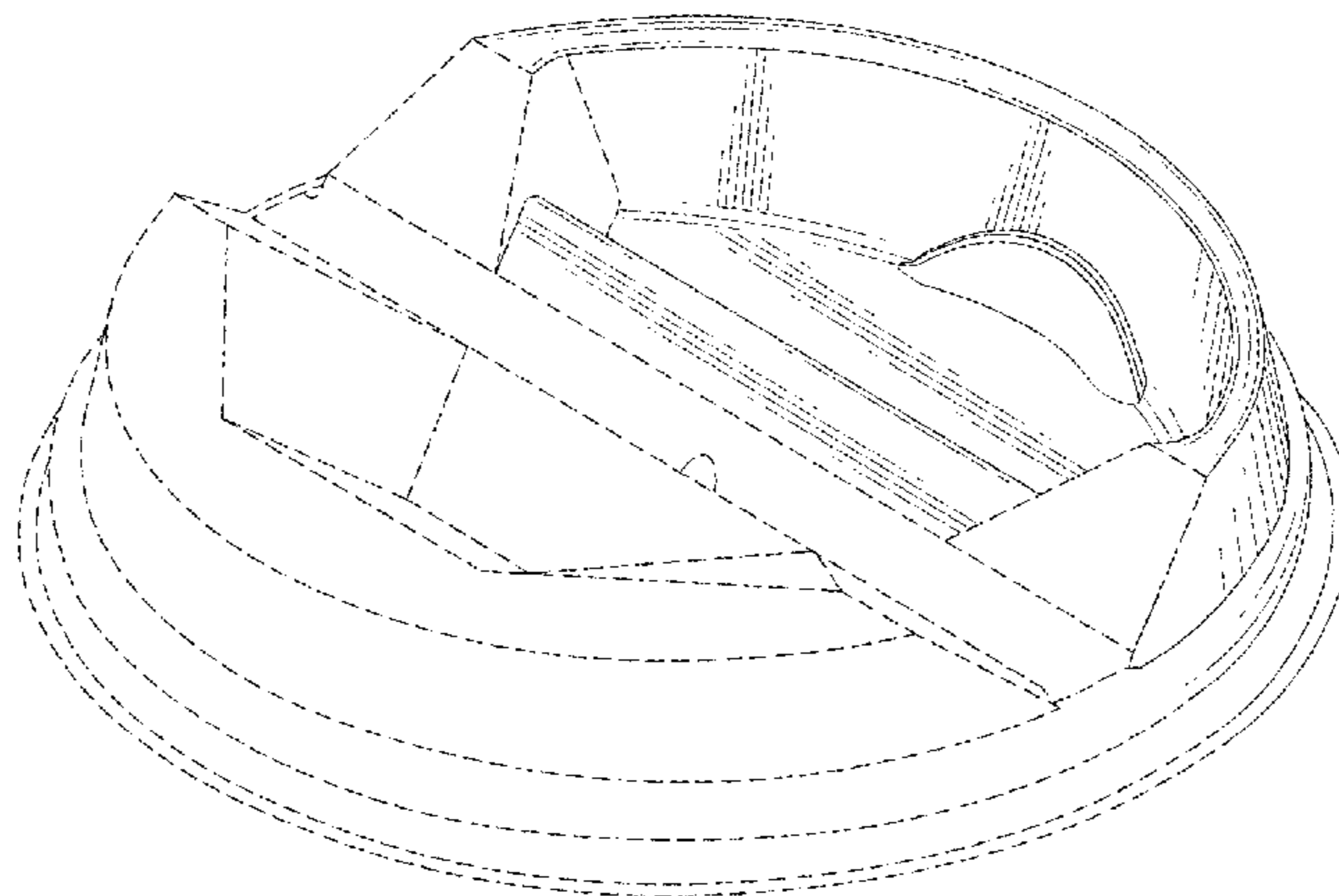
FIG. 6 is a top plan view taken looking down at the top of the lid design.

FIG. 7 is a bottom plan view taken looking up at the underside of the lid design; and,

FIG. 8 is a bottom perspective view of a lid for a cup, looking up at underside of the novel lid design.

In each of the drawing figures, the broken lines showing the remainder of the lids, or portions thereof, are directed to the environment in which the design is utilized. The portions of the design that are shown in broken lines depict environmental subject matter only and form no part of the claimed design.

1 Claim, 3 Drawing Sheets



(56)

References Cited

U.S. PATENT DOCUMENTS

D287,919 S 1/1987 Clements
 4,768,674 A 9/1988 Prescott
 D299,010 S 12/1988 Wall
 4,938,377 A 7/1990 Jarvis
 4,986,437 A 1/1991 Farmer
 5,111,961 A 5/1992 Van Melle
 D345,673 S 4/1994 Dark
 5,370,258 A 12/1994 Fair
 5,398,843 A 3/1995 Warden et al.
 5,540,350 A 7/1996 Lansky
 5,542,670 A 8/1996 Morano
 5,820,016 A 10/1998 Stropkay
 5,894,952 A 4/1999 Mendenhall et al.
 5,897,019 A 4/1999 Stropkay
 5,988,426 A 11/1999 Stern
 6,003,711 A 12/1999 Bilewitz
 6,311,863 B1 11/2001 Fleming
 6,375,033 B1 4/2002 Fleming
 6,419,105 B1 7/2002 Bruce et al.
 6,571,973 B1 6/2003 Tripsianes
 6,644,490 B2 11/2003 Clarke
 D485,758 S 1/2004 Clarke et al.
 7,100,790 B2 9/2006 Dark
 D539,649 S * 4/2007 Smith et al. D9/454
 D539,650 S * 4/2007 Smith et al. D9/454
 D540,165 S 4/2007 Hollis et al.
 D546,180 S 7/2007 Jowett et al.
 D547,605 S 7/2007 Edelstein et al.
 7,275,652 B2 10/2007 Morris et al.
 D592,056 S 5/2009 Tedford, Jr.
 D592,952 S 5/2009 Hundley et al.

7,591,393 B2 9/2009 Crudgington, Jr.
 D632,174 S 2/2011 Charbonnet et al.
 D634,192 S * 3/2011 Mueller D9/436
 D635,855 S * 4/2011 Smith et al. D9/447
 D637,079 S 5/2011 Brown et al.
 7,959,029 B2 6/2011 Whitaker et al.
 D655,162 S 3/2012 Daniel
 D656,023 S 3/2012 Baker et al.
 2007/0114236 A1 5/2007 Shiffer et al.
 2008/0011762 A1 1/2008 Boone
 2008/0061069 A1 3/2008 Edelstein et al.
 2009/0266829 A1 10/2009 Bailey
 2009/0294459 A1 12/2009 Hovsepian et al.
 2009/0294460 A1 12/2009 Hovsepian et al.
 2011/0114655 A1 5/2011 Bailey
 2011/0266294 A1 11/2011 Charbonnet et al.

FOREIGN PATENT DOCUMENTS

GB 2307633 A 6/1997
 WO WO 96/39068 12/1996
 WO WO 2009/008587 A1 1/2009
 WO WO 2009/036426 A2 3/2009

OTHER PUBLICATIONS

Nicola, Edible Geography, The Evolution of Lids. (May 9, 2011), <http://www.ediblegeography.com/the-evolution-of-lids/> (7 pages).
 Date unknown. Printed Nov. 15, 2013. Product Design (physical goods): Why is the Solo Traveler the dominant coffee cup lid? <http://www.quora.com/Product-Design-physical-goods/Why-is-the-Solo-Traveler-the-dominant-coffee-cup-lid/> (7 pages).
 US 6,003,721, 12/1999, Fleming (withdrawn)

* cited by examiner

FIG. 1

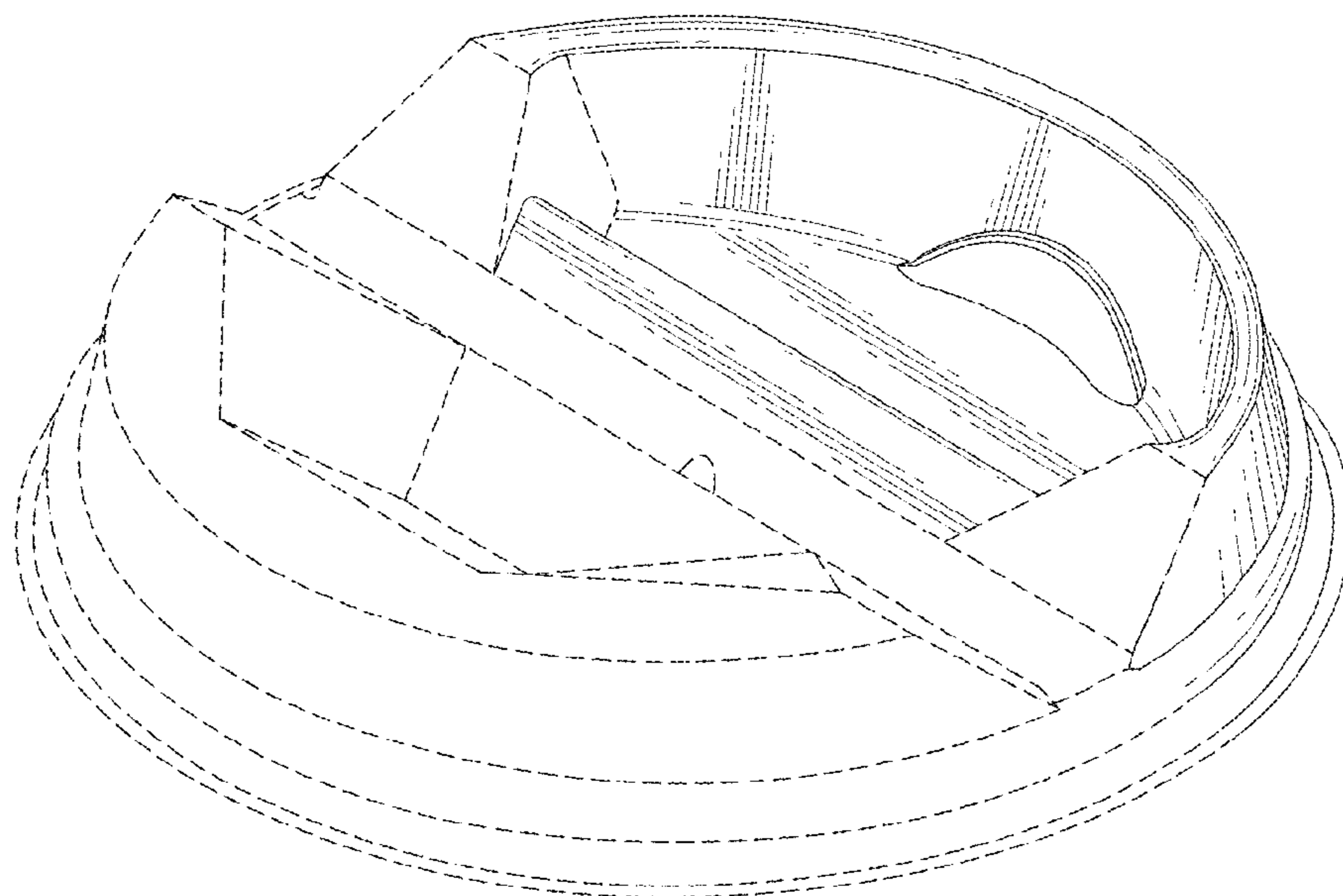


FIG. 2

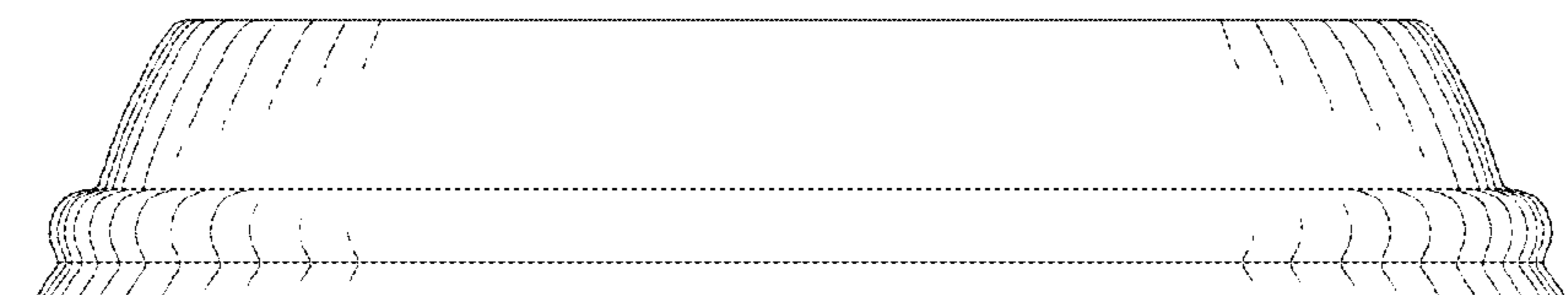


FIG. 3

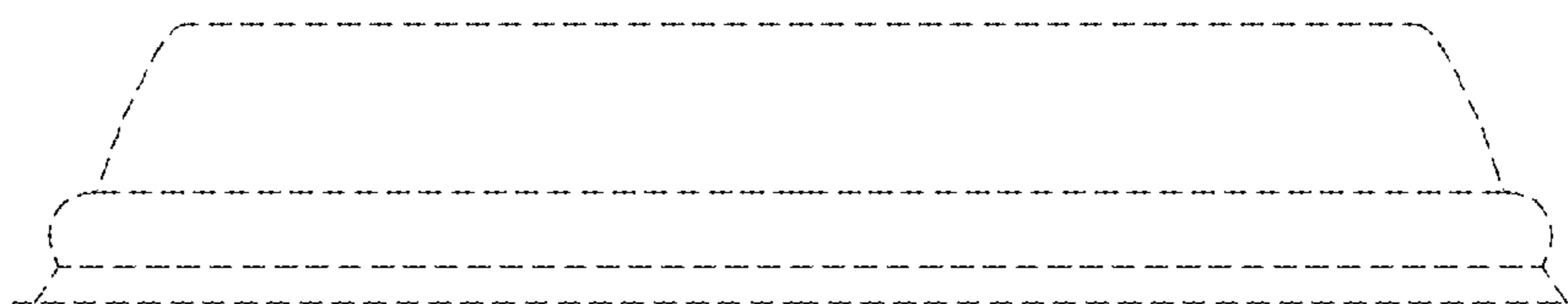


FIG. 4

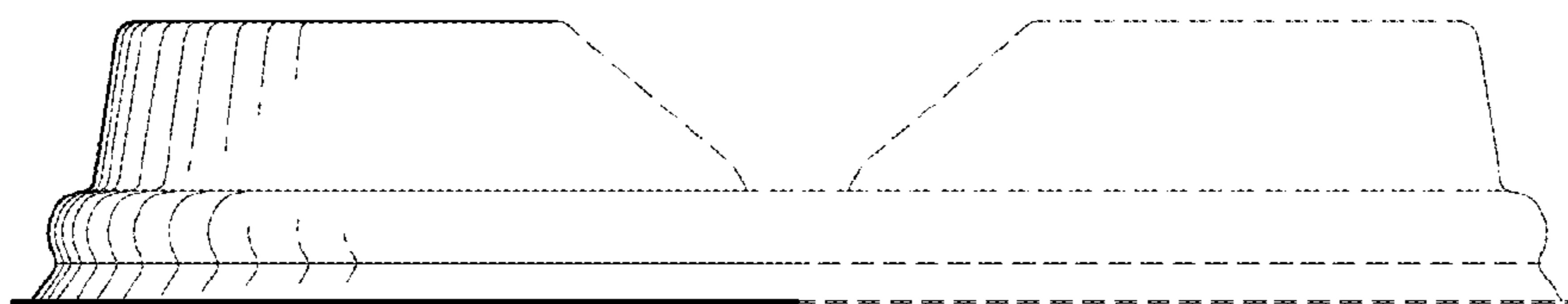


FIG. 5

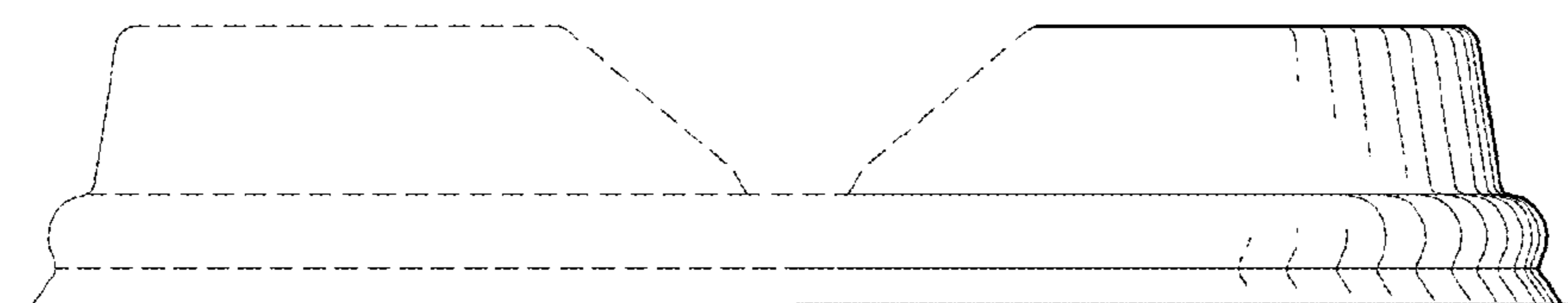


FIG. 6

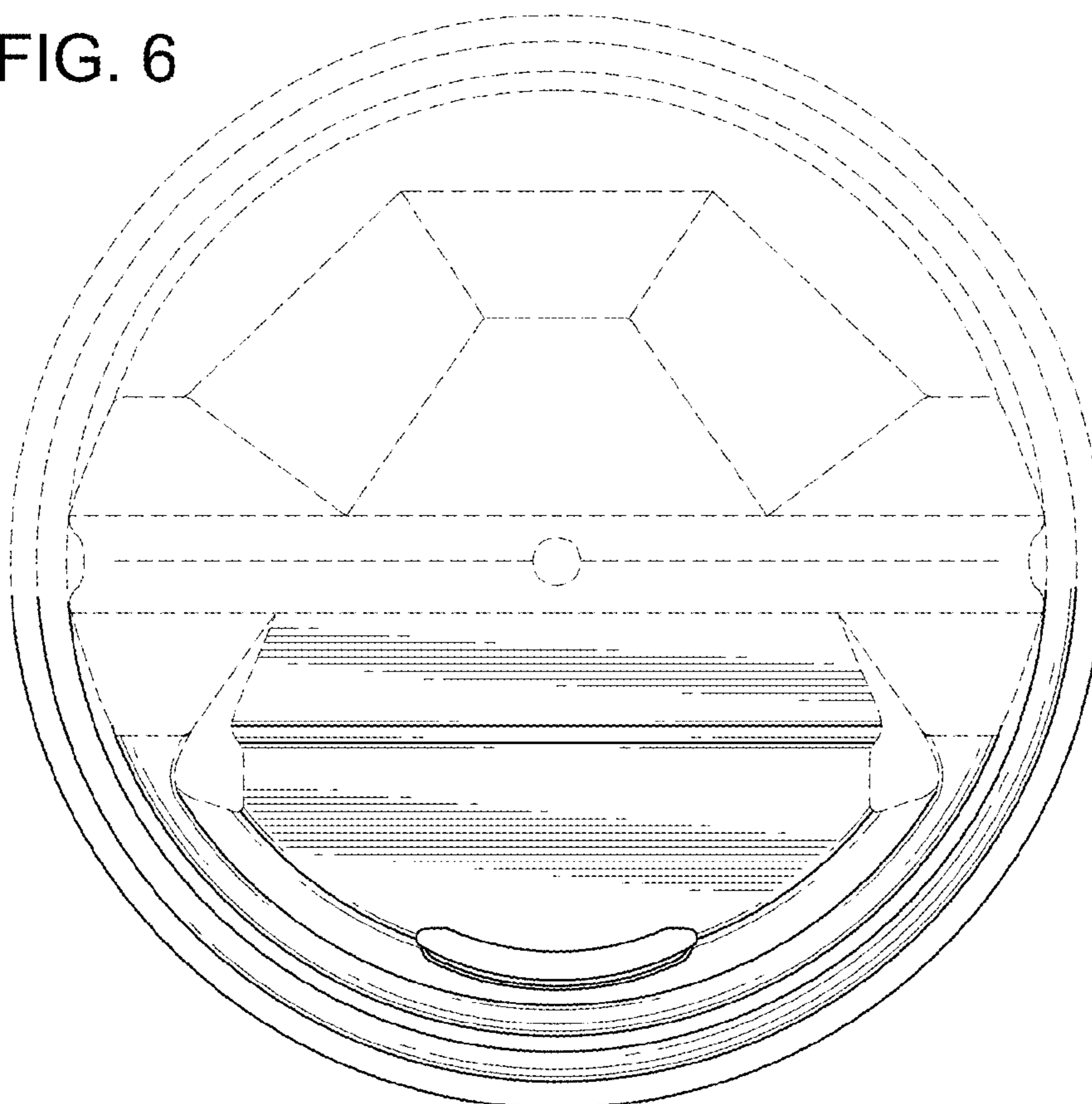


FIG. 7

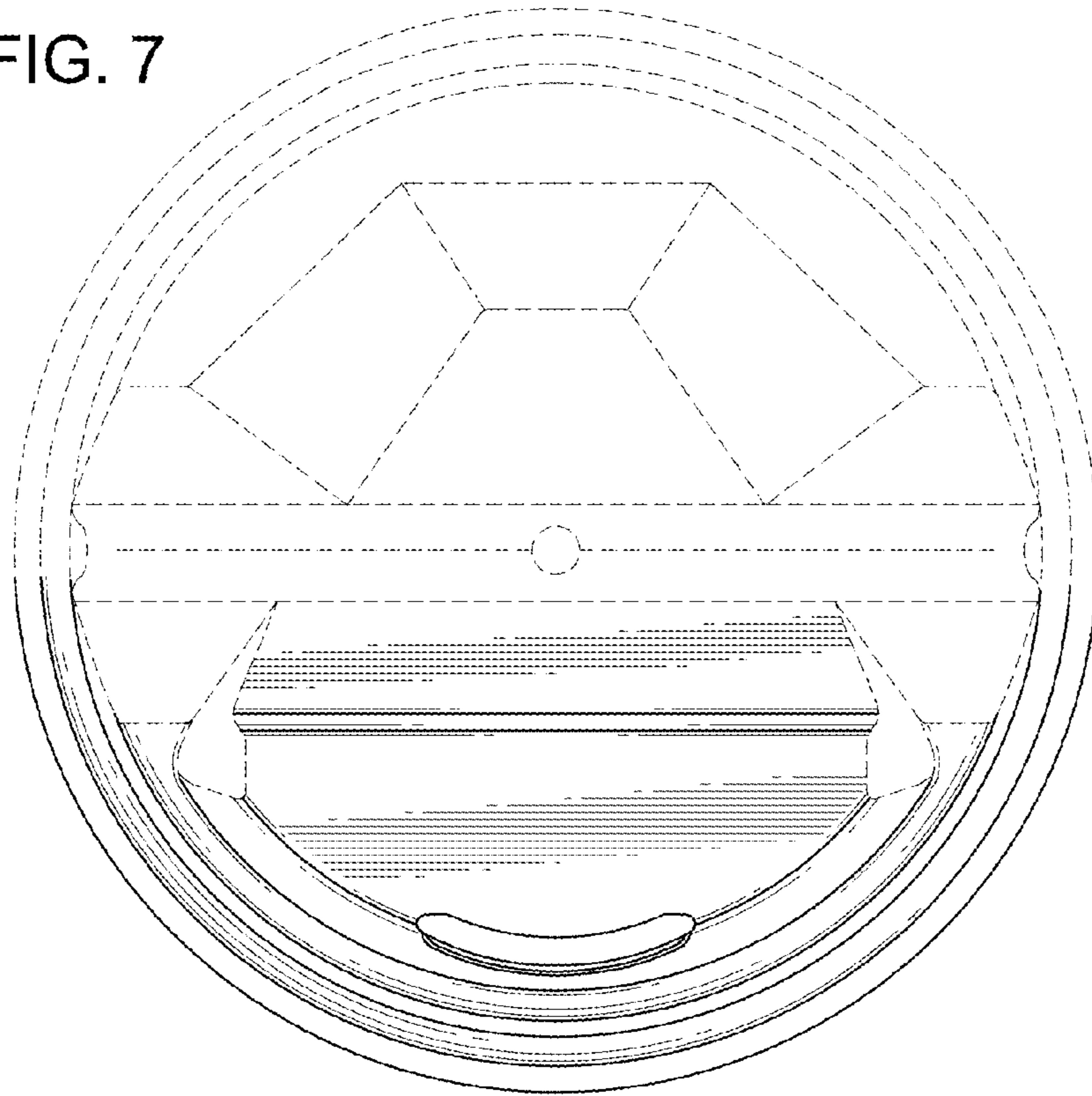
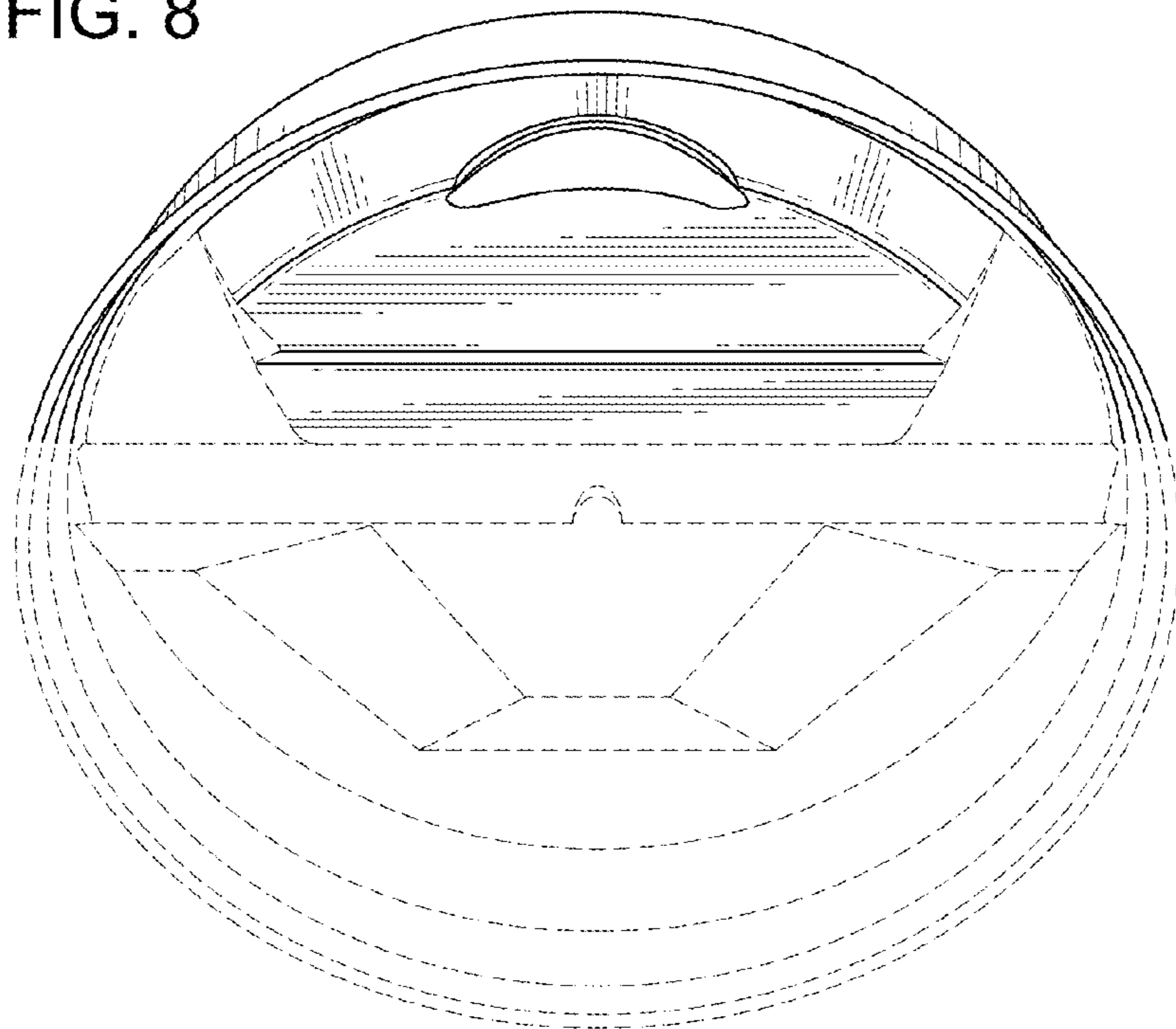


FIG. 8



UNITED STATES PATENT AND TRADEMARK OFFICE
CERTIFICATE OF CORRECTION

PATENT NO. : D709,367 S
APPLICATION NO. : 29/448510
DATED : July 22, 2014
INVENTOR(S) : Douglas H. Fleming

Page 1 of 1

It is certified that error appears in the above-identified patent and that said Letters Patent is hereby corrected as shown below:

On the Title Page

Item (57), delete “The ornamental design for a beverage container lid, as shown and described” and substitute therefore --A lid for a beverage container, wherein:--.

Signed and Sealed this
Second Day of May, 2017



Michelle K. Lee
Director of the United States Patent and Trademark Office