



US00D709366S

(12) **United States Design Patent**
Fleming

(10) **Patent No.:** **US D709,366 S**
(45) **Date of Patent:** **** Jul. 22, 2014**

(54) **LID FOR BEVERAGE CONTAINER**

FOREIGN PATENT DOCUMENTS

(71) Applicant: **Douglas H. Fleming**, Bainbridge Island, WA (US)

CA 2212228 7/2002
CA 2635219 7/2008

(72) Inventor: **Douglas H. Fleming**, Bainbridge Island, WA (US)

(Continued)

(**) Term: **14 Years**

OTHER PUBLICATIONS

(21) Appl. No.: **29/448,509**

US 6,003,721, 12/1999, Fleming (withdrawn).

(22) Filed: **Mar. 12, 2013**

Primary Examiner — Susan Bennett Hattan

Assistant Examiner — Leanne Thomas

(51) **LOC (10) Cl.** **09-07**

(74) *Attorney, Agent, or Firm* — R. Reams Goodloe, Jr.

(52) **U.S. Cl.**

(57) **CLAIM**

USPC **D9/435**

The ornamental design for a beverage container lid, as shown and described.

(58) **Field of Classification Search**

USPC D7/396.2; D9/435, 436, 437, 438, 440, D9/447, 449, 454; 215/200, 228, 250, 253, 215/387; 220/200, 367.1, 711, 712, 713, 220/752; 229/404

DESCRIPTION

See application file for complete search history.

FIG. 1 is a top perspective view of a lid for a cup showing the novel lid design.

FIG. 2 is a front side view, taken looking at the front of the lid design.

FIG. 3 is a back side view, taken looking at the back of the lid design.

FIG. 4 is a left side view, taken looking at the left side of the lid design.

FIG. 5 is a right side view, taken looking at the right side of the lid design.

FIG. 6 is a top plan view taken looking down at the top of the lid design.

FIG. 7 is a bottom plan view taken looking up at the underside of the lid design; and,

FIG. 8 is a bottom perspective view of a lid for a cup, looking up at underside of the novel lid design.

In each of the drawing figures, surface shading is used to clearly show the character and contour of all surfaces of the 3-dimensional aspects of the design, and form a part of the design sought to be protected.

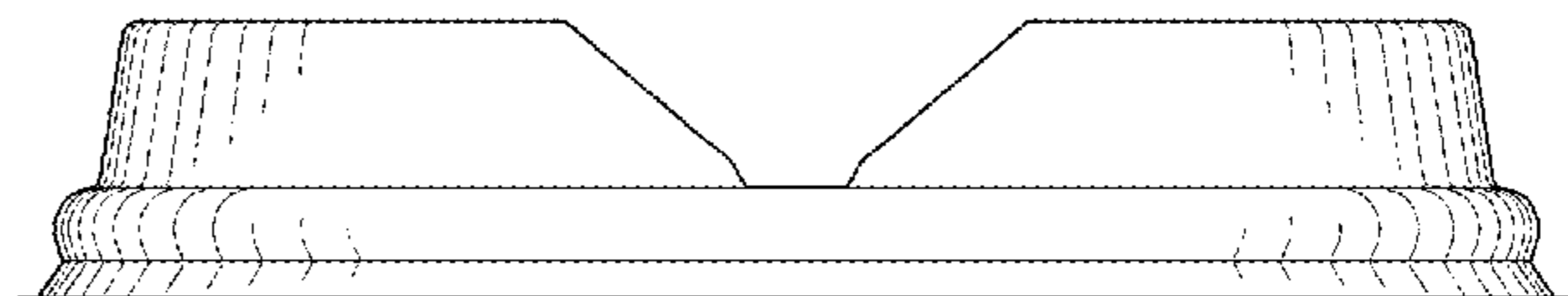
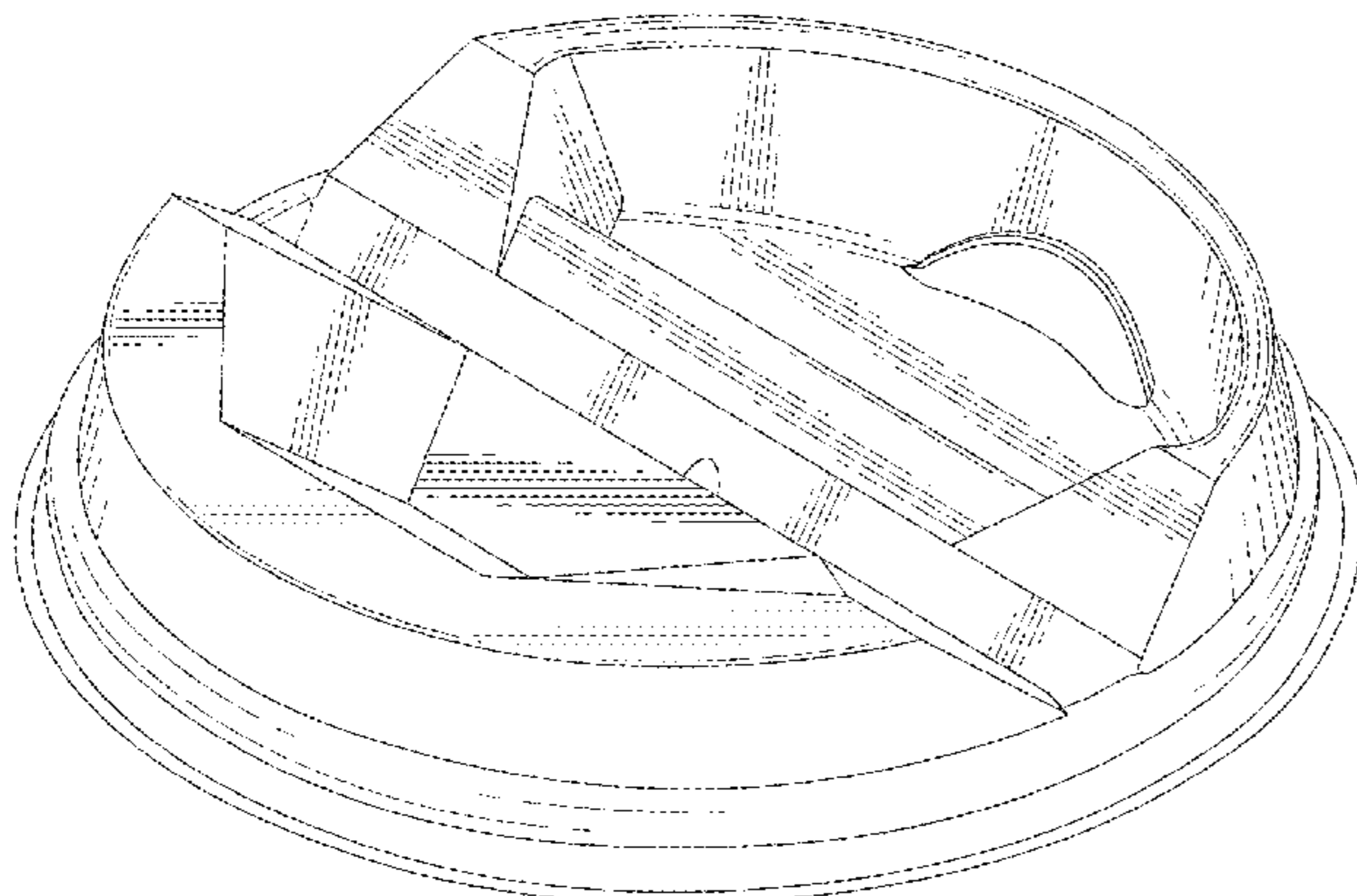
(56) **References Cited**

U.S. PATENT DOCUMENTS

2,358,600	A	9/1944	Selten
2,362,354	A	11/1944	Clovis
3,360,161	A	12/1967	Smith
3,400,855	A	9/1968	Alexander
3,868,043	A	2/1975	Freemyer
3,938,695	A	2/1976	Ruff
4,085,861	A	4/1978	Ruff
4,582,214	A	4/1986	Dart et al.
4,586,625	A	5/1986	Garrett
4,589,569	A	5/1986	Clements
4,609,124	A	9/1986	Malloy
4,619,372	A	10/1986	McFarland
D287,919	S	1/1987	Clements
4,768,674	A	9/1988	Prescott
D299,010	S	12/1988	Wall
4,938,377	A	7/1990	Jarvis
4,986,437	A	1/1991	Farmer

(Continued)

1 Claim, 3 Drawing Sheets



(56)

References Cited

U.S. PATENT DOCUMENTS

5,111,961	A	5/1992	Van Melle	
D345,673	S	4/1994	Dark	
5,370,258	A	12/1994	Fair	
5,398,843	A	3/1995	Warden et al.	
5,540,350	A	7/1996	Lansky	
5,542,670	A	8/1996	Morano	
5,820,016	A	10/1998	Stropkay	
5,894,952	A	4/1999	Mendenhall et al.	
5,897,019	A	4/1999	Stropkay	
5,988,426	A	11/1999	Stern	
6,003,711	A	12/1999	Bilewitz	
6,311,863	B1	11/2001	Fleming	
6,375,033	B1	4/2002	Fleming	
6,419,105	B1	7/2002	Bruce et al.	
6,571,973	B1	6/2003	Tripsianes	
6,644,490	B2	11/2003	Clarke	
D485,758	S	1/2004	Clarke et al.	
7,100,790	B2	9/2006	Dark	
D539,649	S *	4/2007	Smith et al.	D9/454
D539,650	S *	4/2007	Smith et al.	D9/454
D540,165	S	4/2007	Hollis et al.	
D546,180	S	7/2007	Jowett et al.	
D547,605	S	7/2007	Edelstein et al.	
7,275,652	B2	10/2007	Morris et al.	

D592,056	S	5/2009	Tedford, Jr.	
D592,952	S	5/2009	Hundley et al.	
7,591,393	B2	9/2009	Crudgington, Jr.	
D632,174	S	2/2011	Charbonnet et al.	
D634,192	S *	3/2011	Mueller	D9/436
D635,855	S *	4/2011	Smith et al.	D9/447
D637,079	S	5/2011	Brown et al.	
7,959,029	B2	6/2011	Whitaker et al.	
D655,162	S	3/2012	Daniel	
D656,023	S	3/2012	Baker et al.	
D675,524	S *	2/2013	Bickert et al.	D9/447
2007/0114236	A1	5/2007	Shiffer et al.	
2008/0011762	A1	1/2008	Boone	
2008/0061069	A1	3/2008	Edelstein et al.	
2009/0266829	A1 *	10/2009	Bailey	220/713
2009/0294459	A1	12/2009	Hovsepian et al.	
2009/0294460	A1	12/2009	Hovsepian et al.	
2011/0114655	A1 *	5/2011	Bailey	220/713
2011/0266294	A1	11/2011	Charbonnet et al.	

FOREIGN PATENT DOCUMENTS

GB	2307633	A	6/1997
WO	WO 96/39068		12/1996
WO	WO 2009/008587	A1	1/2009
WO	WO 2009/036426	A2	3/2009

* cited by examiner

FIG. 1

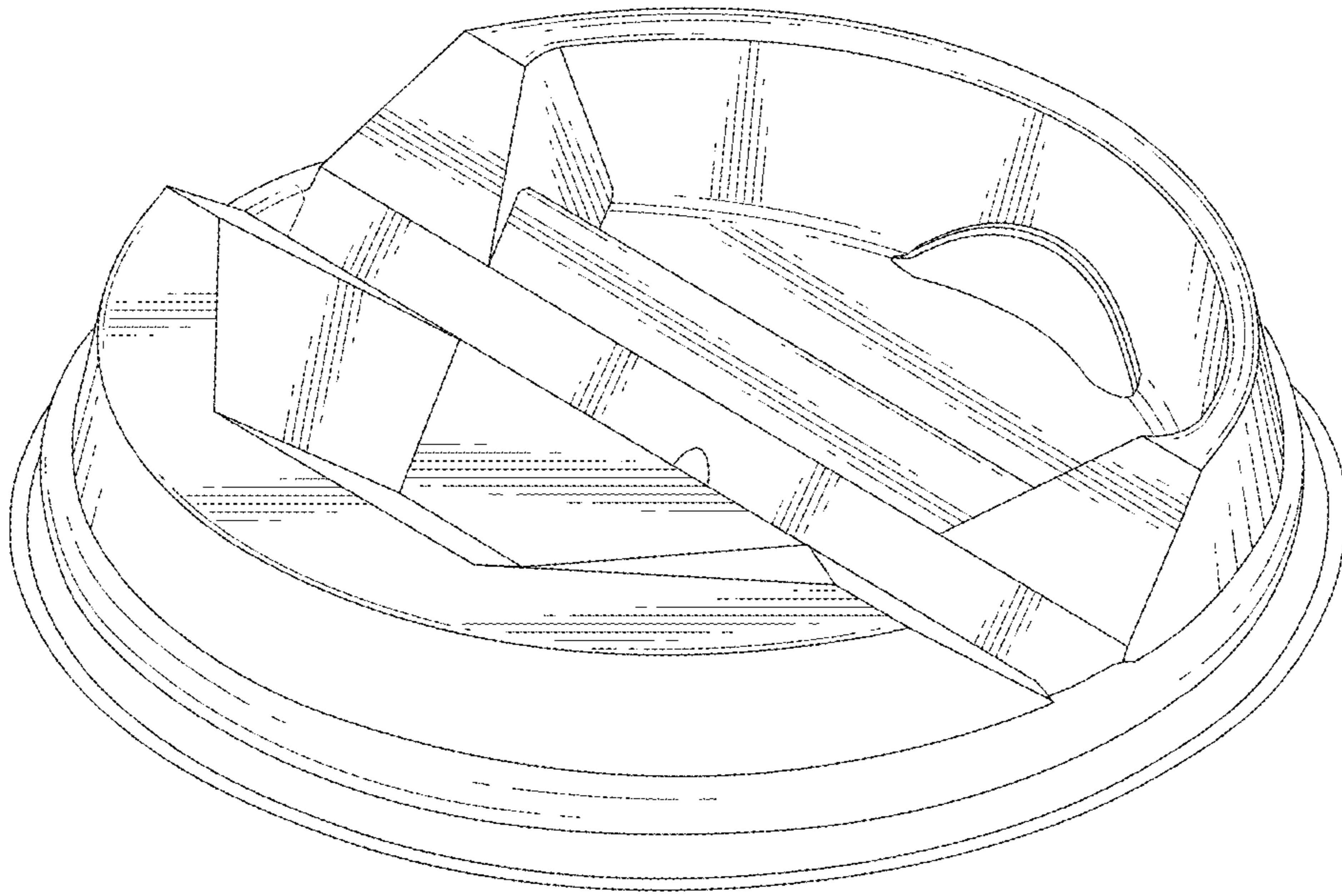


FIG. 2

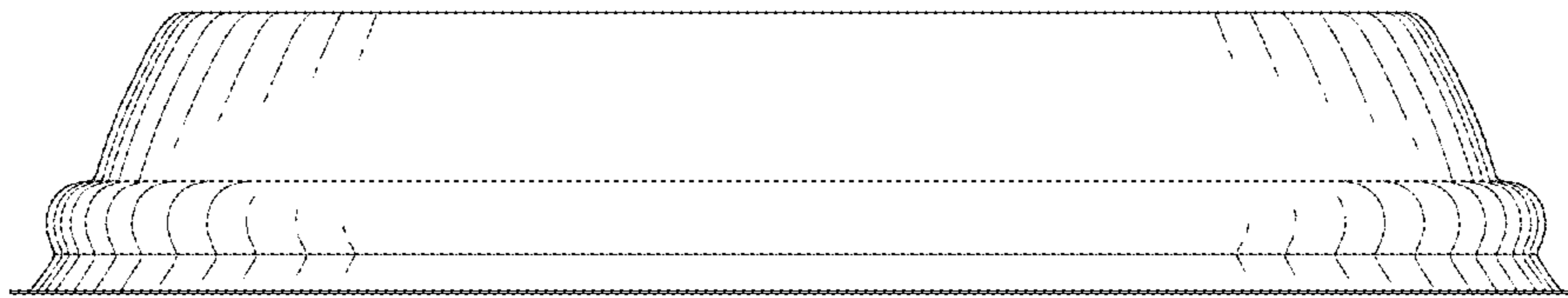


FIG. 3

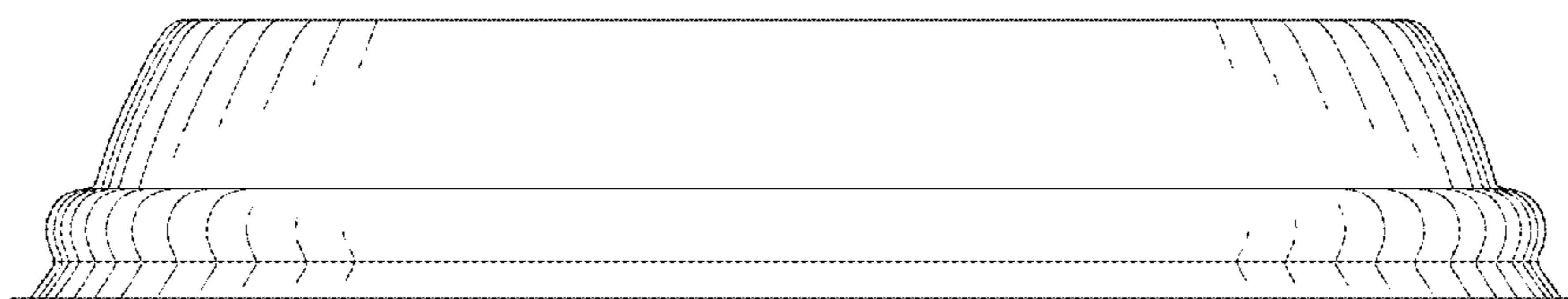


FIG. 4

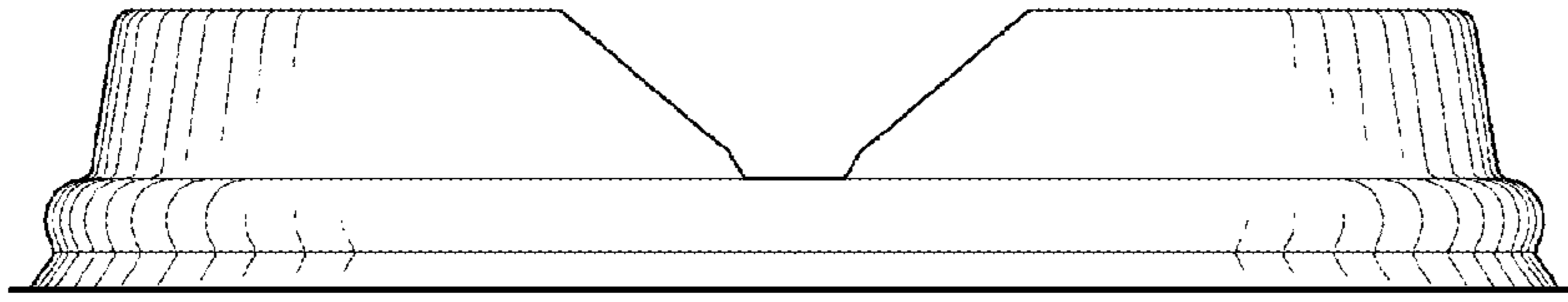


FIG. 5

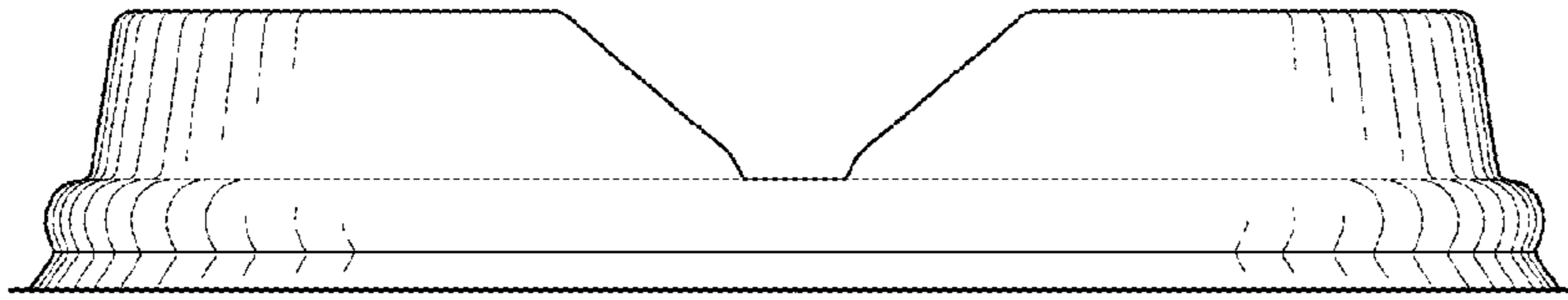


FIG. 6

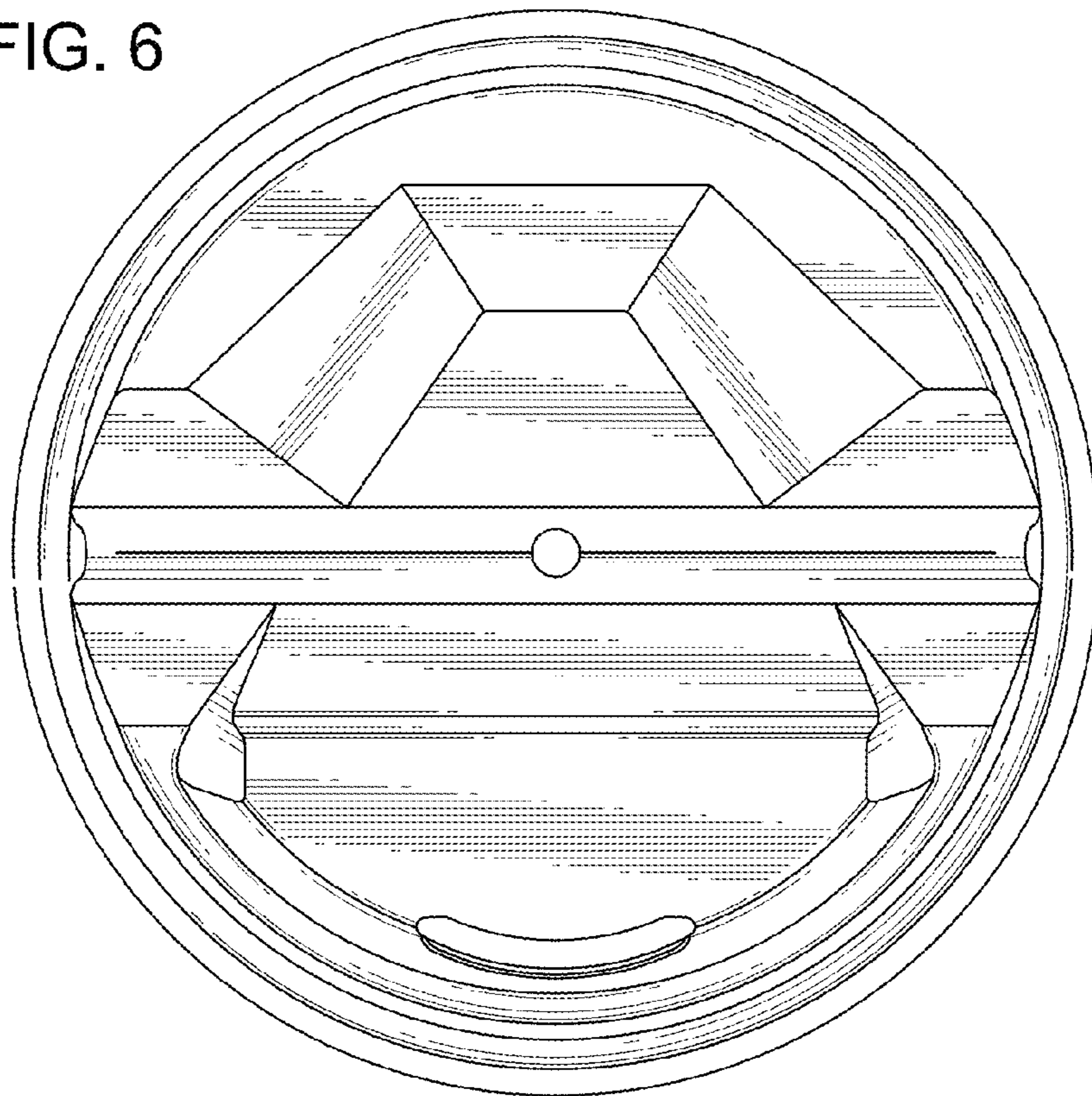


FIG. 7

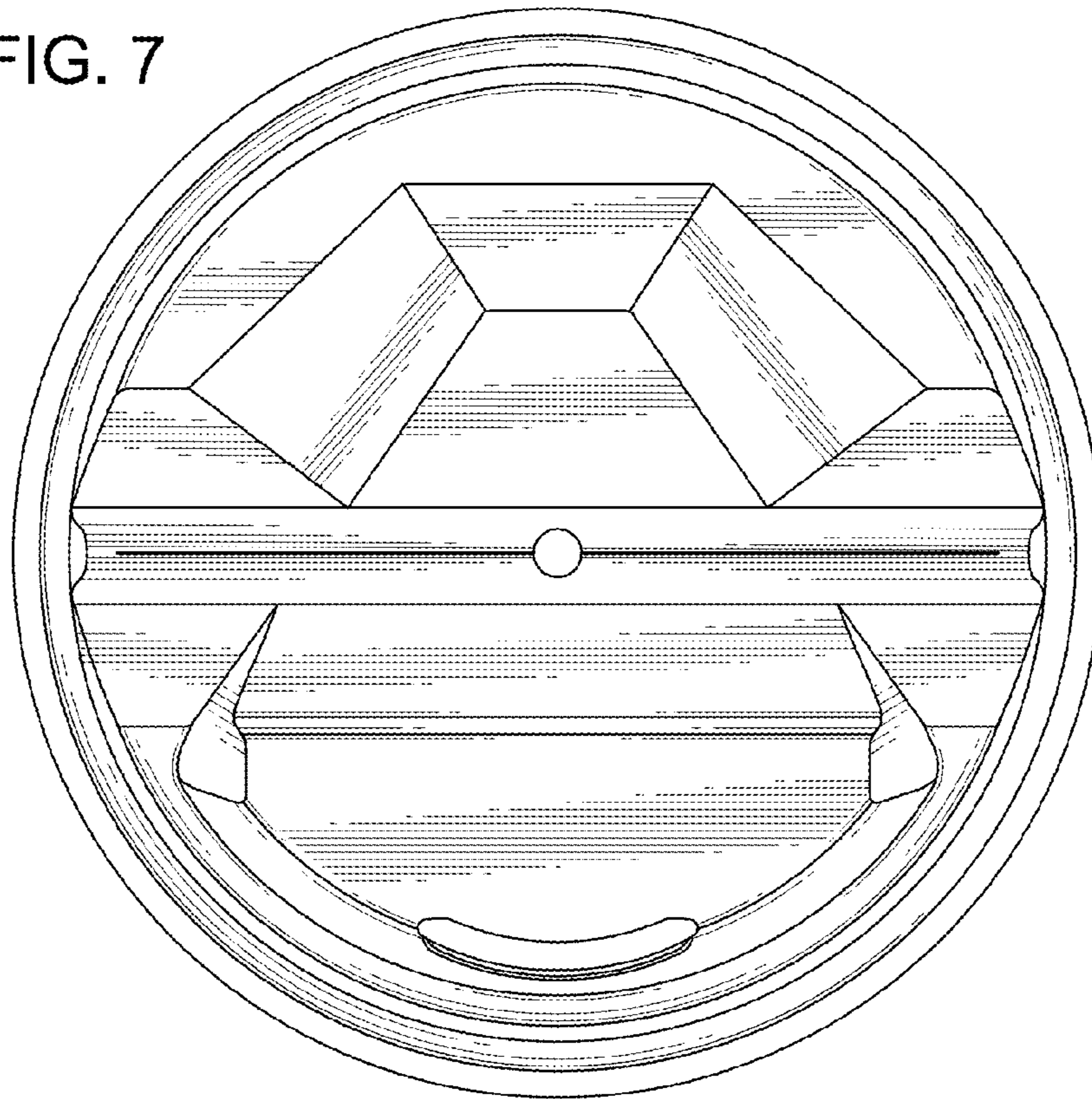
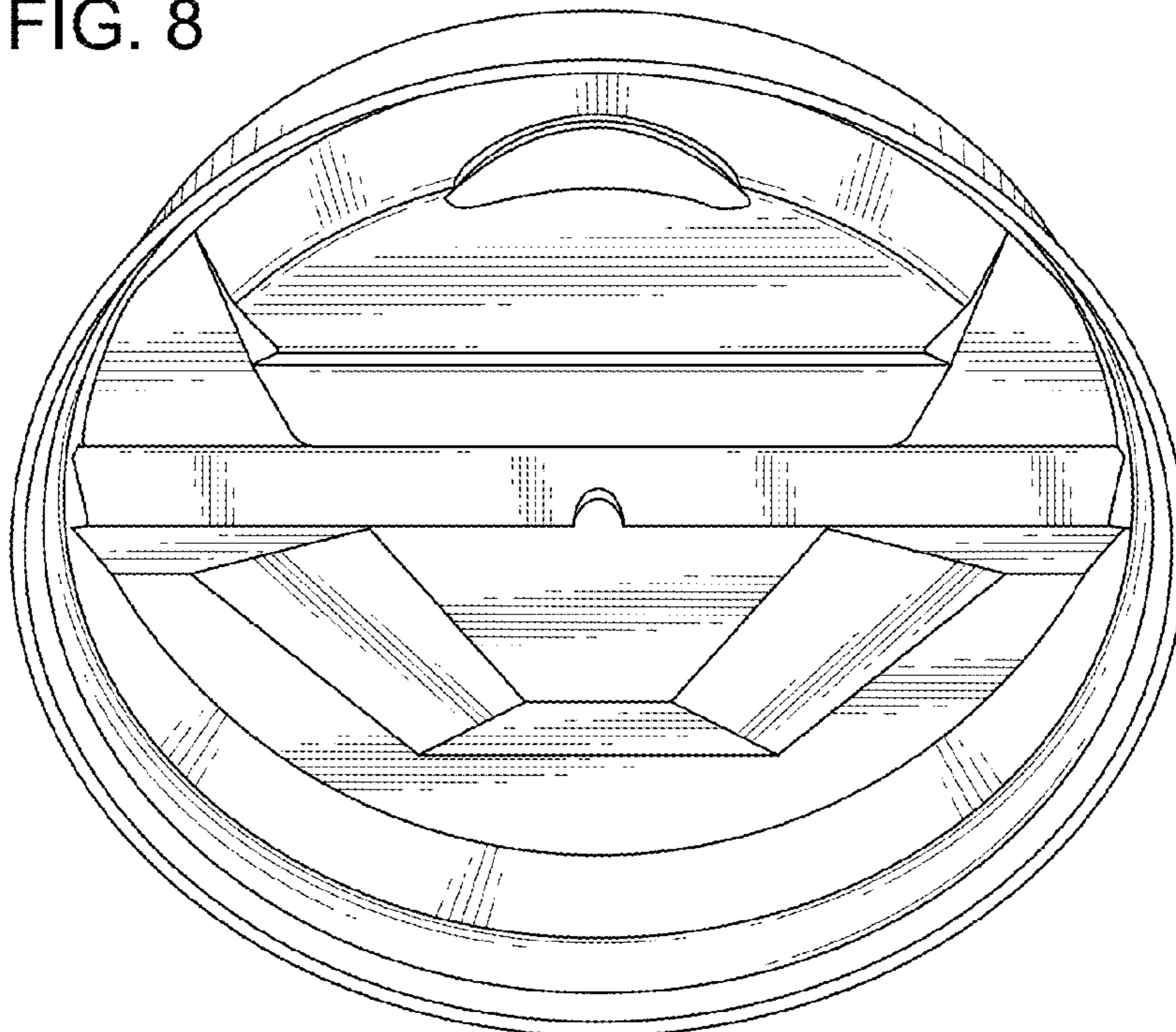


FIG. 8



UNITED STATES PATENT AND TRADEMARK OFFICE
CERTIFICATE OF CORRECTION

PATENT NO. : D709,366 S
APPLICATION NO. : 29/448509
DATED : July 22, 2014
INVENTOR(S) : Douglas H. Fleming

Page 1 of 1

It is certified that error appears in the above-identified patent and that said Letters Patent is hereby corrected as shown below:

On the Title Page

Under "References Cited, OTHER PUBLICATIONS", add the following references:

LOUISE HARPMAN & SCOTT SPECHT, Cabinet Magazine, Inventory/Peel, Pucker, Pinch, Puncture. Issue 19, Chance Fall 2005 (2005-09-00).

<http://www.cabinetmagazine.org/issues/19/harpman.php> (4 pages)

NICOLA, Edible Geography, The Evolution of Lids. (2011-05-09),

<http://www.ediblegeography.com/the-evolution-of-lids/> (7 pages)

Date unknown. Printed 2013-11-15. Product Design (physical goods): Why is the Solo Traveler the dominant coffee cup lid? <http://www.quora.com/Product-Design-physical-goods/Why-is-the-Solo-Traveler-the-dominant-coffee-cup-lid> (7 pages)

(57) Claim:

Delete "The ornamental design for a beverage container lid, as shown and described" and substitute therefore --A lid for a beverage container, wherein:--

Signed and Sealed this
Thirtieth Day of January, 2018



Joseph Matal

*Performing the Functions and Duties of the
Under Secretary of Commerce for Intellectual Property and
Director of the United States Patent and Trademark Office*