



US00D709359S

(12) **United States Design Patent**  
**Symons**

(10) **Patent No.:** **US D709,359 S**  
(45) **Date of Patent:** **\*\* Jul. 22, 2014**

(54) **CABLE MANAGEMENT MAIN CLIP**  
(71) Applicant: **Dominic Symons**, Wilkie Edge (SG)  
(72) Inventor: **Dominic Symons**, Wilkie Edge (SG)  
(73) Assignee: **Bluelounge Pte. Ltd.**, Wilkie Edge (SG)

D387,652 S 12/1997 Carlson  
5,696,351 A \* 12/1997 Benn et al. .... 174/92  
D389,732 S 1/1998 Weishaar  
D424,924 S \* 5/2000 Ackerman ..... D8/396  
D427,897 S 7/2000 Johnston  
D430,850 S \* 9/2000 Alves et al. .... D13/152

(Continued)

(\*\*) Term: **14 Years**

FOREIGN PATENT DOCUMENTS

(21) Appl. No.: **29/478,573**

EP 1816099 8/2007

(22) Filed: **Jan. 7, 2014**

OTHER PUBLICATIONS

(51) **LOC (10) Cl.** ..... **08-08**

amazon.com, Jan. 6, 2014, Internet printout: <http://www.amazon.com/Amico-Adhesive-Backed-Adjustable-Clamps/dp/B005MN2QHK>.

(52) **U.S. Cl.**  
USPC ..... **D8/396**

(Continued)

(58) **Field of Classification Search**  
USPC ..... D19/65, 86; D24/128; 248/74.2, 215,  
248/227.1, 49, 300, 301, 316.7, 51, 489;  
24/570, 3.12; D32/61; D11/78.1  
See application file for complete search history.

*Primary Examiner* — John Windmuller  
(74) *Attorney, Agent, or Firm* — Todd R. Miller

(56) **References Cited**

(57) **CLAIM**

The ornamental design for a cable management main clip, as shown and described.

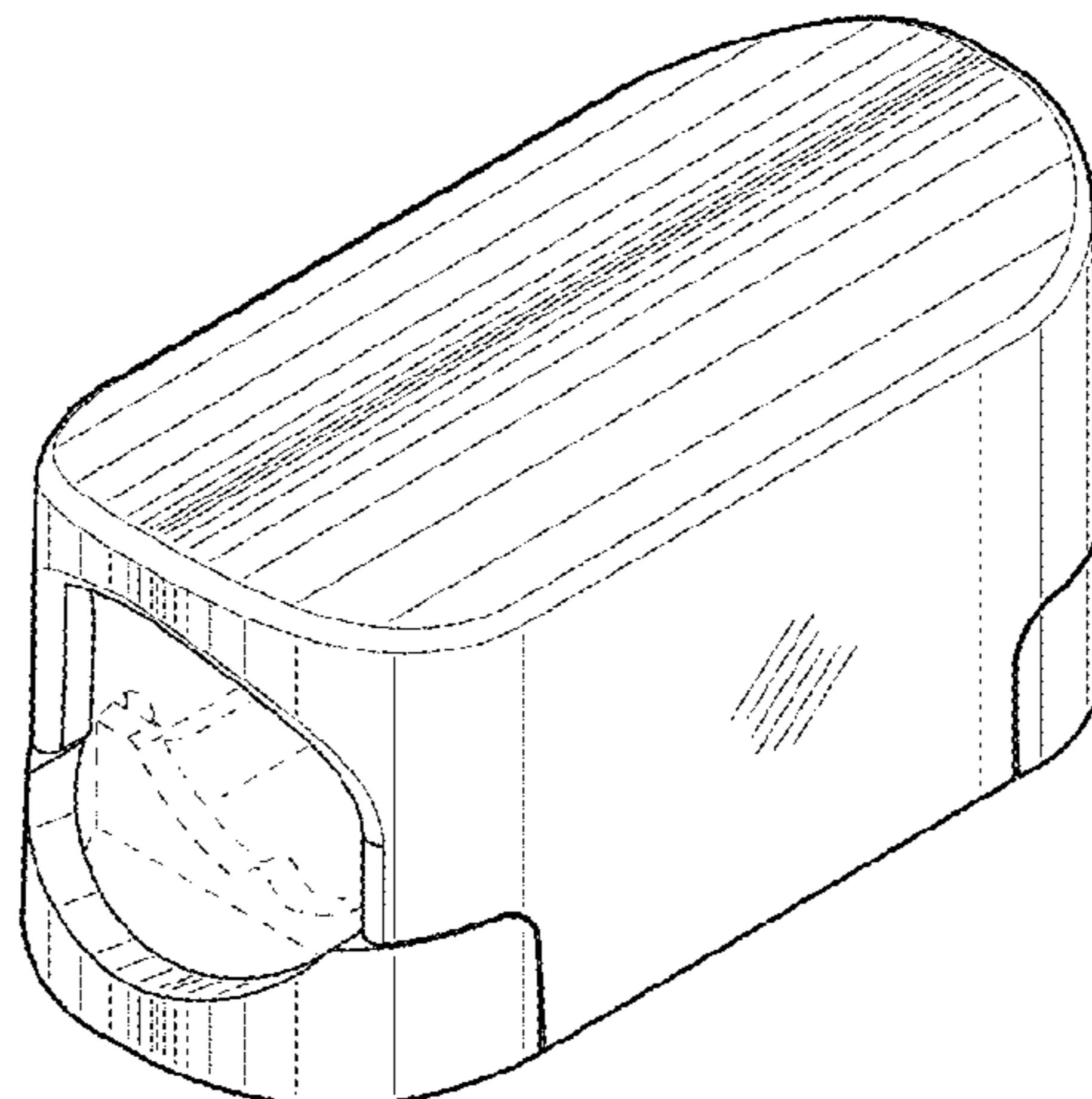
U.S. PATENT DOCUMENTS

**DESCRIPTION**

964,969 A \* 7/1910 Hesterhagen ..... 174/59  
2,475,184 A \* 7/1949 Hudson ..... 174/92  
2,963,679 A \* 12/1960 Jugle ..... 439/781  
3,319,650 A 5/1967 Peterson  
D212,505 S 10/1968 Guerrero  
4,029,896 A \* 6/1977 Skinner ..... 174/138 F  
4,049,357 A \* 9/1977 Hamisch, Jr. .... 403/209  
D247,345 S \* 2/1978 Mulholland ..... D8/383  
D270,329 S 8/1983 Hardy  
4,533,205 A \* 8/1985 Frank ..... 439/783  
D289,852 S \* 5/1987 Tuvevsson ..... D8/373  
D302,655 S 8/1989 Sachs  
D309,255 S \* 7/1990 Karow, Jr. .... D8/395  
D321,171 S \* 10/1991 Nakano ..... D13/199  
D329,588 S 9/1992 Michel  
5,245,730 A \* 9/1993 Martin ..... 24/132 R  
D342,013 S 12/1993 Sachs  
D349,038 S 7/1994 Sachs  
5,656,797 A \* 8/1997 Lin ..... 174/91

FIG. 1 is a perspective view of a cable management main clip showing my new design;  
FIG. 2 is an exploded side view thereof, illustrating the design has two separate parts;  
FIG. 3 is a front view thereof;  
FIG. 4 is a top view thereof; and,  
FIG. 5 is a perspective view thereof in use with an optional cable tube and cables with elements in dashed lines forming no part of the claimed design.  
The broken lines in FIGS. 1, 2, and 3 depict portions of the clip that form no part of the claimed design. The broken lines in FIG. 5 depict environment that forms no part of the claimed design.

**1 Claim, 5 Drawing Sheets**



(56)

References Cited

U.S. PATENT DOCUMENTS

D459,194 S 6/2002 Johansson  
 D464,325 S \* 10/2002 Peters et al. .... D13/156  
 D466,433 S \* 12/2002 Goto ..... D11/87  
 6,497,258 B1 12/2002 Flannery  
 D468,699 S 1/2003 Bjorklund  
 D482,269 S 11/2003 Martello  
 D494,450 S \* 8/2004 Schultz et al. .... D8/356  
 6,948,969 B2 \* 9/2005 Huang ..... 439/457  
 D515,409 S 2/2006 Sorrentino  
 D534,065 S \* 12/2006 Andre et al. .... D8/395  
 7,244,145 B2 7/2007 Johnsen  
 D569,349 S \* 5/2008 Preston ..... D13/156  
 D575,143 S 8/2008 Kuo  
 D577,990 S \* 10/2008 Andre et al. .... D8/395  
 7,461,610 B1 \* 12/2008 Czepizak et al. .... 114/218  
 D597,824 S \* 8/2009 Wang ..... D8/356  
 D606,832 S \* 12/2009 Wan et al. .... D8/72  
 7,717,738 B2 5/2010 Mabry  
 D620,346 S \* 7/2010 Gretz ..... D8/396  
 D620,786 S \* 8/2010 Gretz ..... D8/396  
 D625,985 S 10/2010 Mori  
 D629,803 S \* 12/2010 St. Ives ..... D14/396

D632,030 S \* 2/2011 Lumsden ..... D30/141  
 D648,685 S \* 11/2011 Symons ..... D13/155  
 D667,796 S \* 9/2012 Boussekey ..... D13/156  
 D675,505 S 2/2013 Rothbaum  
 D675,903 S 2/2013 Rothbaum  
 8,398,424 B1 3/2013 Vasavda  
 D679,581 S 4/2013 Liu  
 8,602,370 B2 \* 12/2013 McKenzie ..... 248/215  
 D698,229 S \* 1/2014 Chance et al. .... D8/360.1  
 2013/0097816 A1 4/2013 Rothbaum  
 2103/0305495 11/2013 Umemoto

OTHER PUBLICATIONS

customaccents.com, Jan. 6, 2014, Internet printout: <http://www.customaccents.com/index.php/products/wire-management/round-leg/>.  
 leinuoer.com, Jan. 6, 2014, Internet printout: <http://www.leinuoer.com/en/LNE-Y.asp>.  
 summit.com, Jan. 6, 2014, Internet printout: <https://www.summit.com/blog/new-wire-management-solutions-from-ilsco>.  
 te.com, Jan. 6, 2014, Internet printout: <http://www.te.com/ns/enterprise/anz/cat/detail.asp?strProductNumber=6450%202%20016-00&strSol=Cable%20Management%20Solutions>.

\* cited by examiner

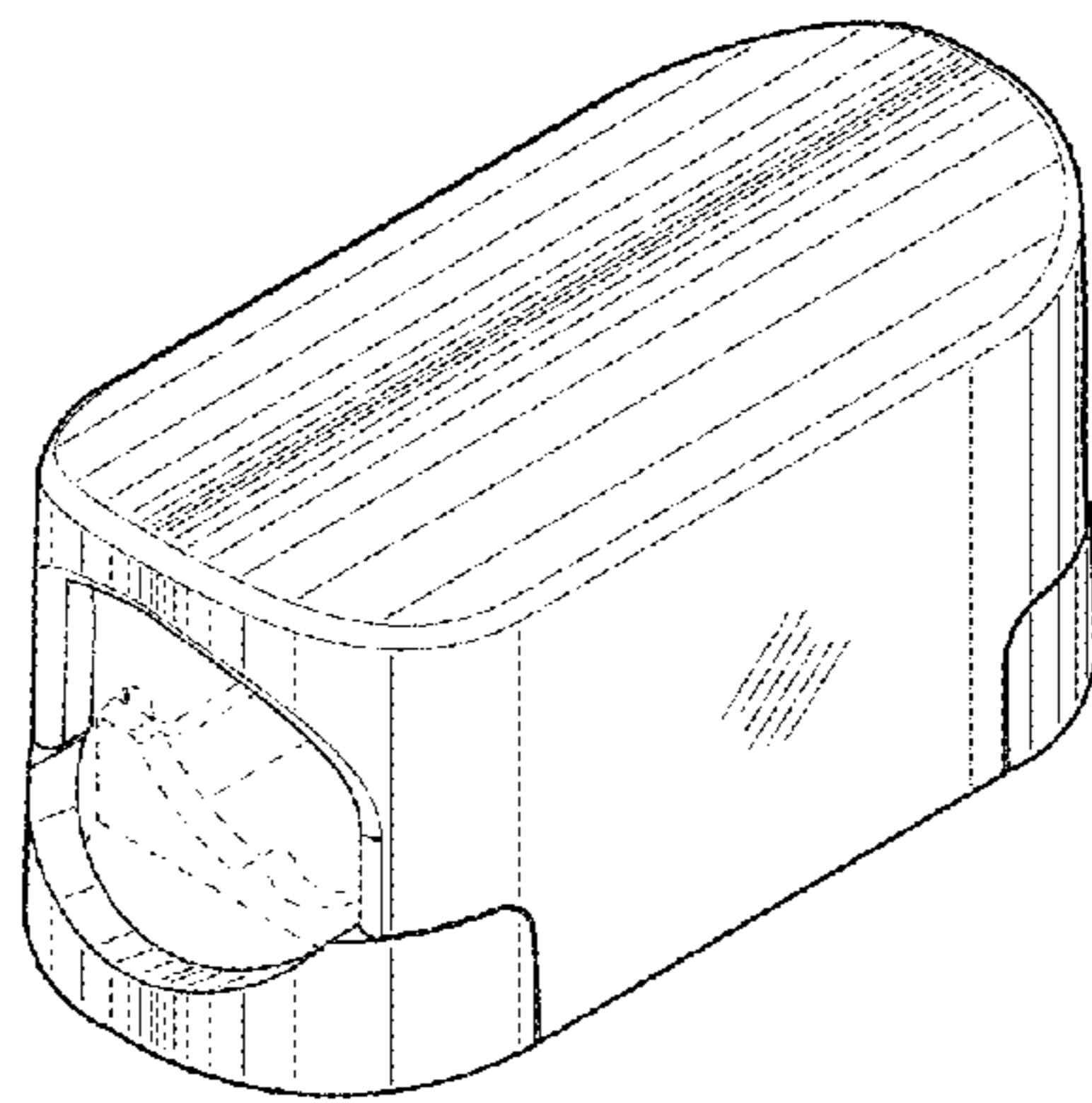


FIG. 1

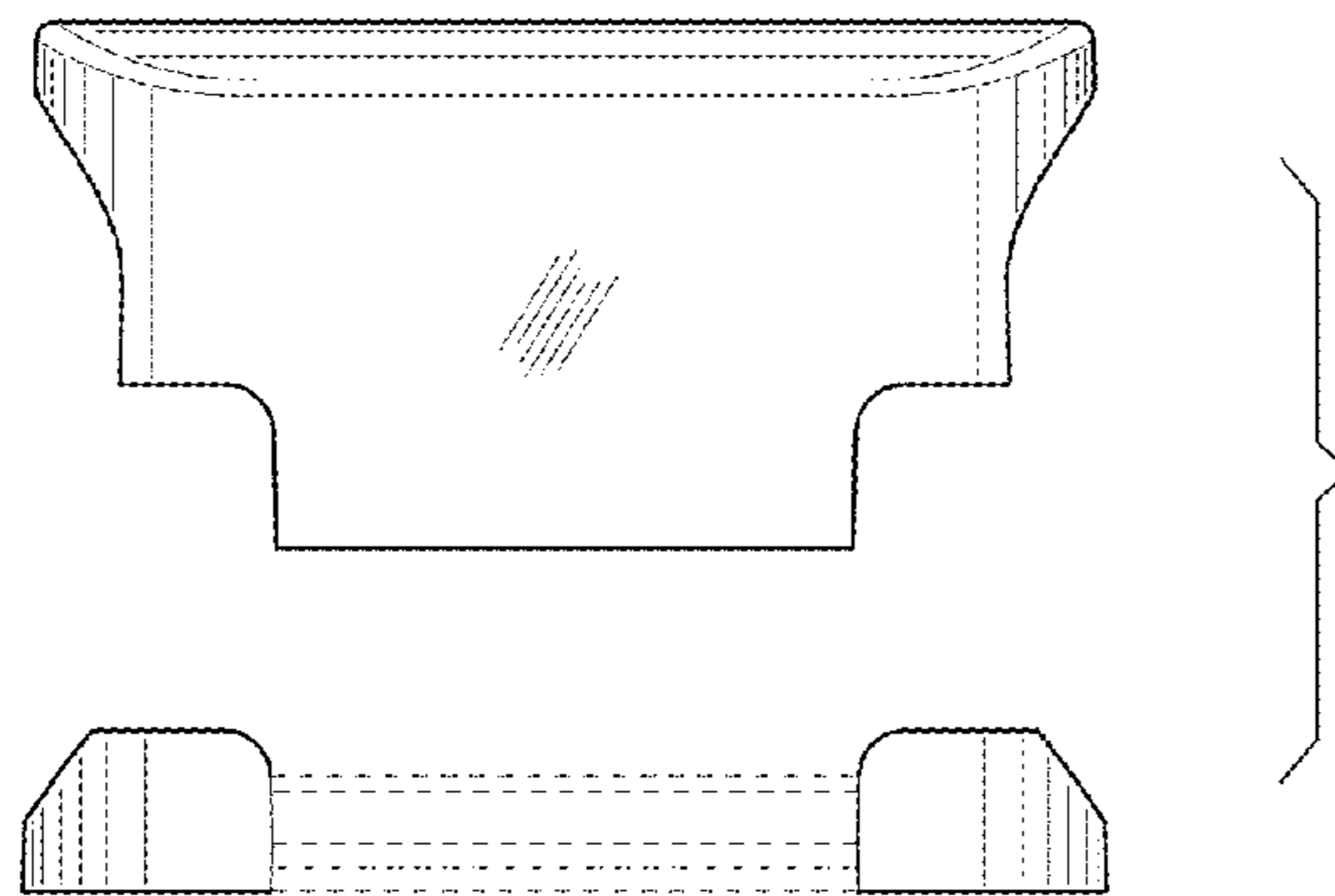


FIG. 2

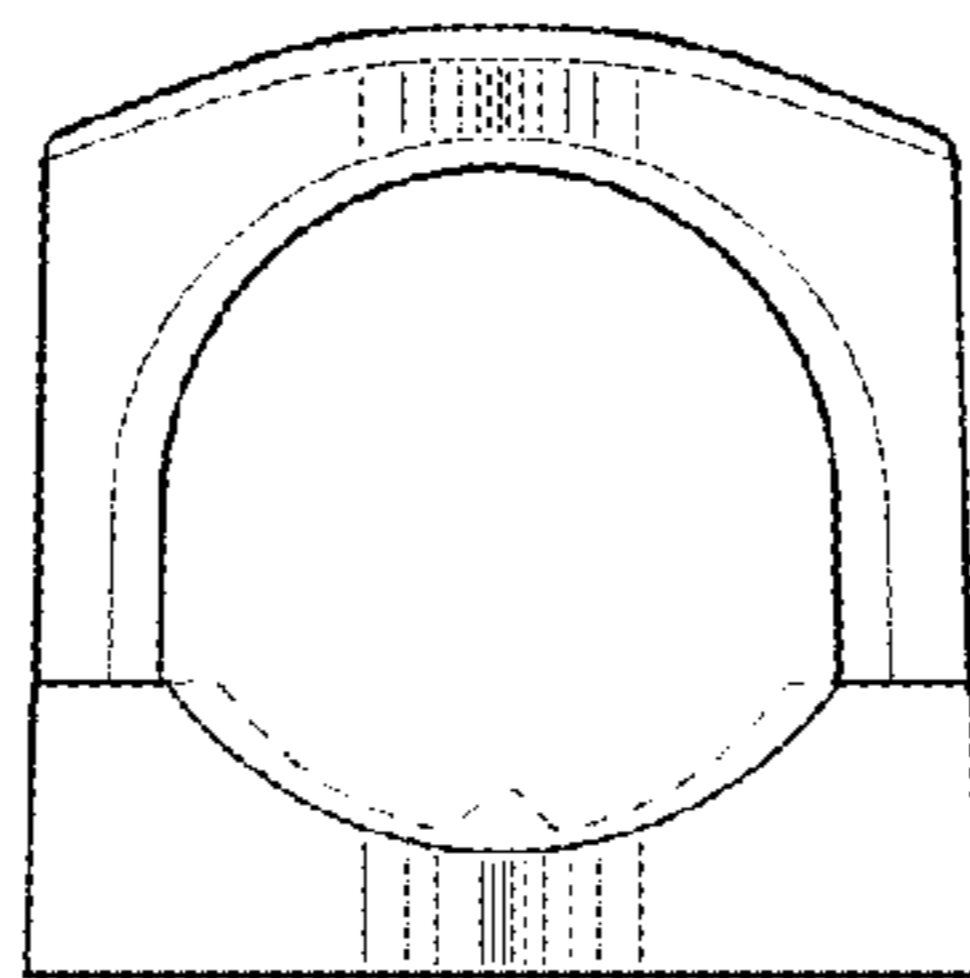


FIG. 3

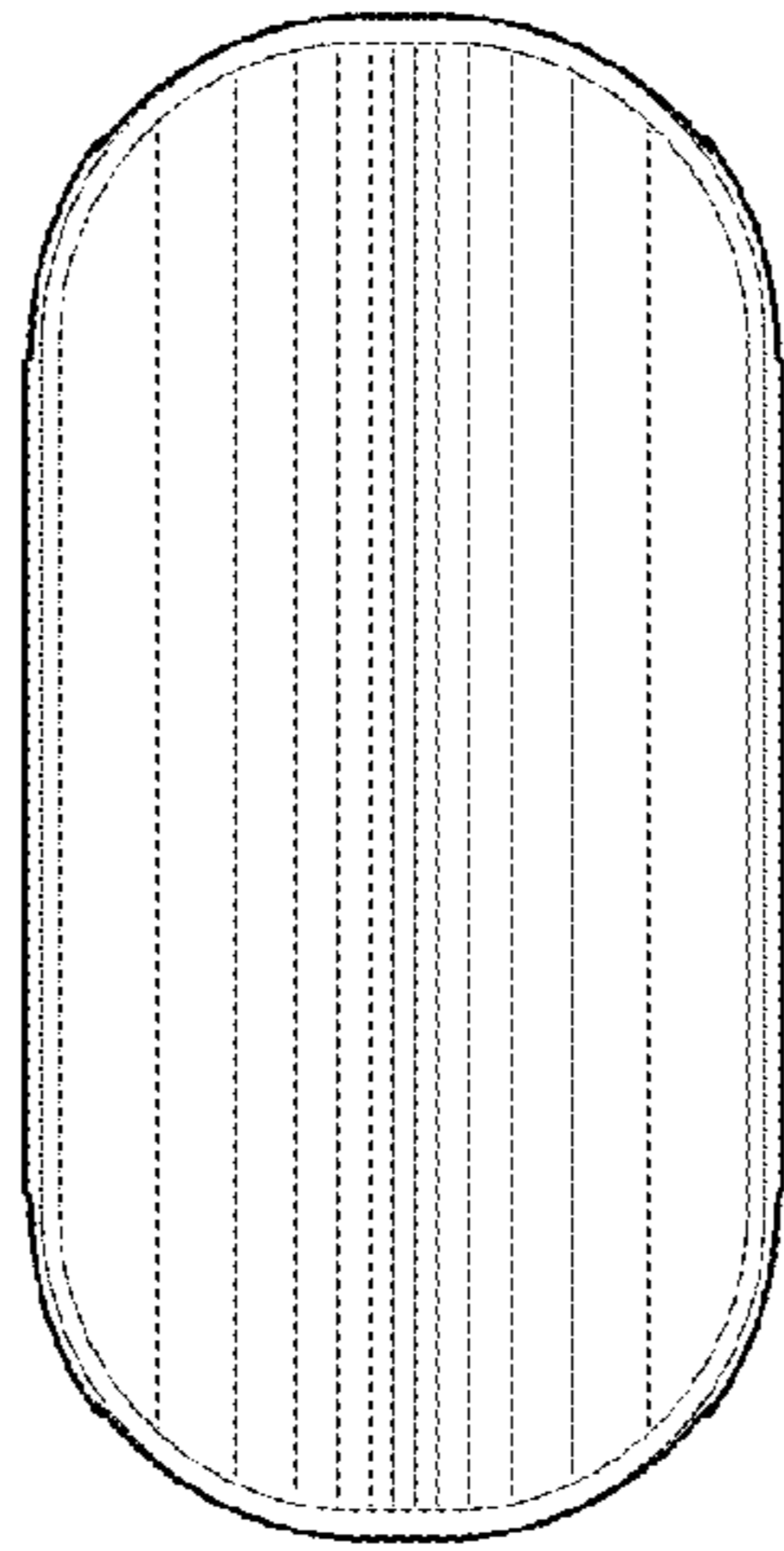


FIG. 4

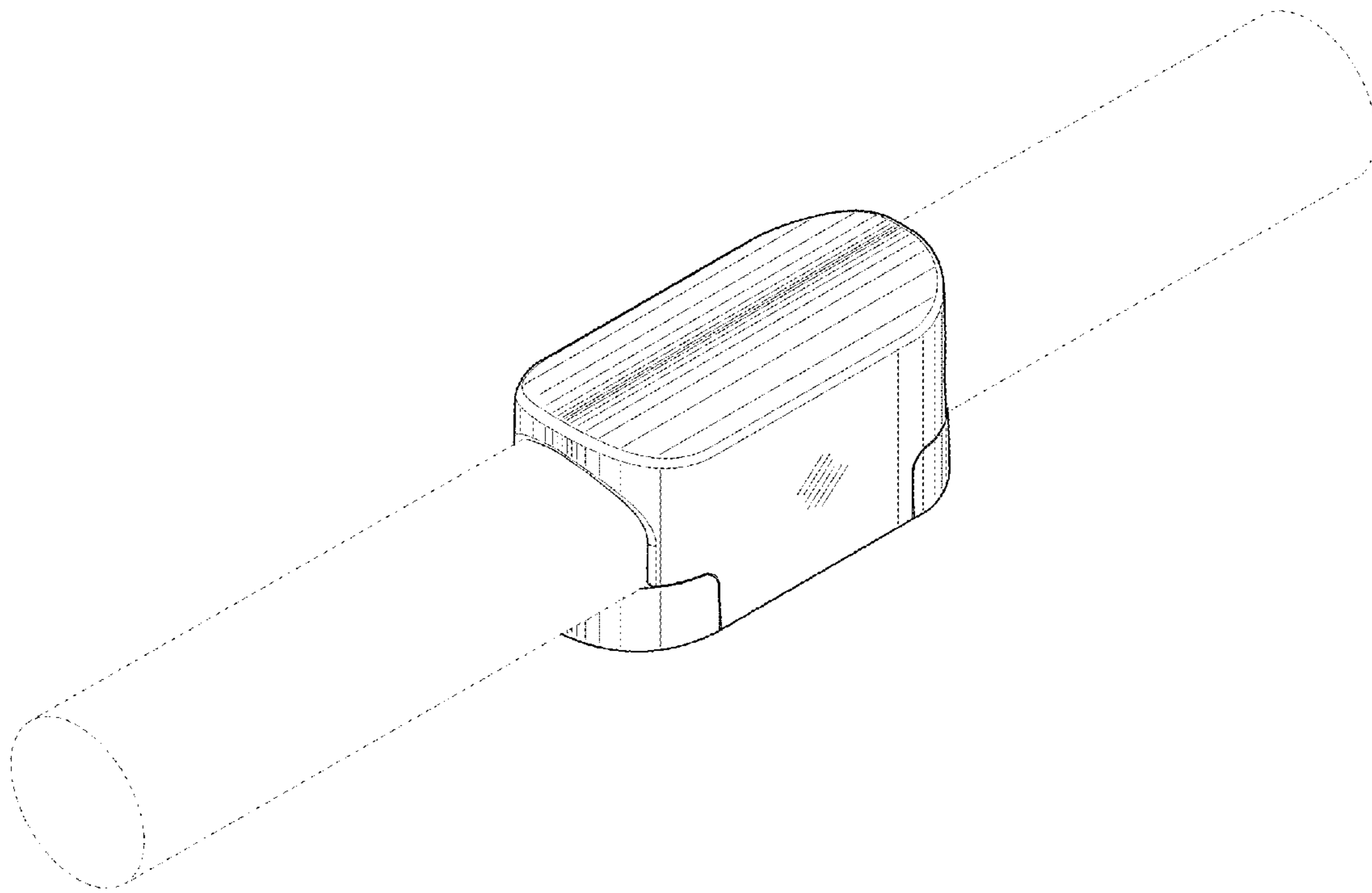


FIG. 5