



US00D709358S

(12) **United States Design Patent**
Fugett

(10) **Patent No.:** **US D709,358 S**
(45) **Date of Patent:** **** Jul. 22, 2014**

(54) **COLLAPSIBLE MOUNTED BRACKET**
(76) Inventor: **Jack Fugett**, Mokena, IL (US)
(**) Term: **14 Years**
(21) Appl. No.: **29/422,953**
(22) Filed: **May 25, 2012**
(51) **LOC (10) Cl.** **08-05**
(52) **U.S. Cl.**
USPC **D8/380**
(58) **Field of Classification Search**
USPC D8/380, 349, 381, 373, 367, 354, 363,
D8/355, 382, 374, 339; 52/4, 79.2, 93.1,
52/260, 649.1, 649.2, 296; 119/705;
482/16; D23/259; D12/160; D6/702;
D25/133
See application file for complete search history.

4,146,204 A 3/1979 Thalenfeld
4,171,748 A 10/1979 Fabian
D259,228 S 5/1981 Fabian
4,361,241 A 11/1982 Stoddard
D271,546 S 11/1983 Smith
4,448,380 A 5/1984 Huber-Krattiger
4,465,198 A 8/1984 Martin
D276,195 S 11/1984 Smith
4,828,122 A 5/1989 Day
D314,867 S 2/1991 Goodman et al.
D324,784 S * 3/1992 Rose D6/324
D373,718 S * 9/1996 Rondeau D8/349
5,562,051 A * 10/1996 Rizzi 108/132
5,775,655 A 7/1998 Schmeets
5,950,845 A 9/1999 Harris
D473,123 S * 4/2003 Anderson D8/354

(Continued)

Primary Examiner — Robert M Spear
Assistant Examiner — Eliza Bennett-Hattan
(74) *Attorney, Agent, or Firm* — Erin J. Fox; Barnes & Thornburg LLP

(56) **References Cited**
U.S. PATENT DOCUMENTS

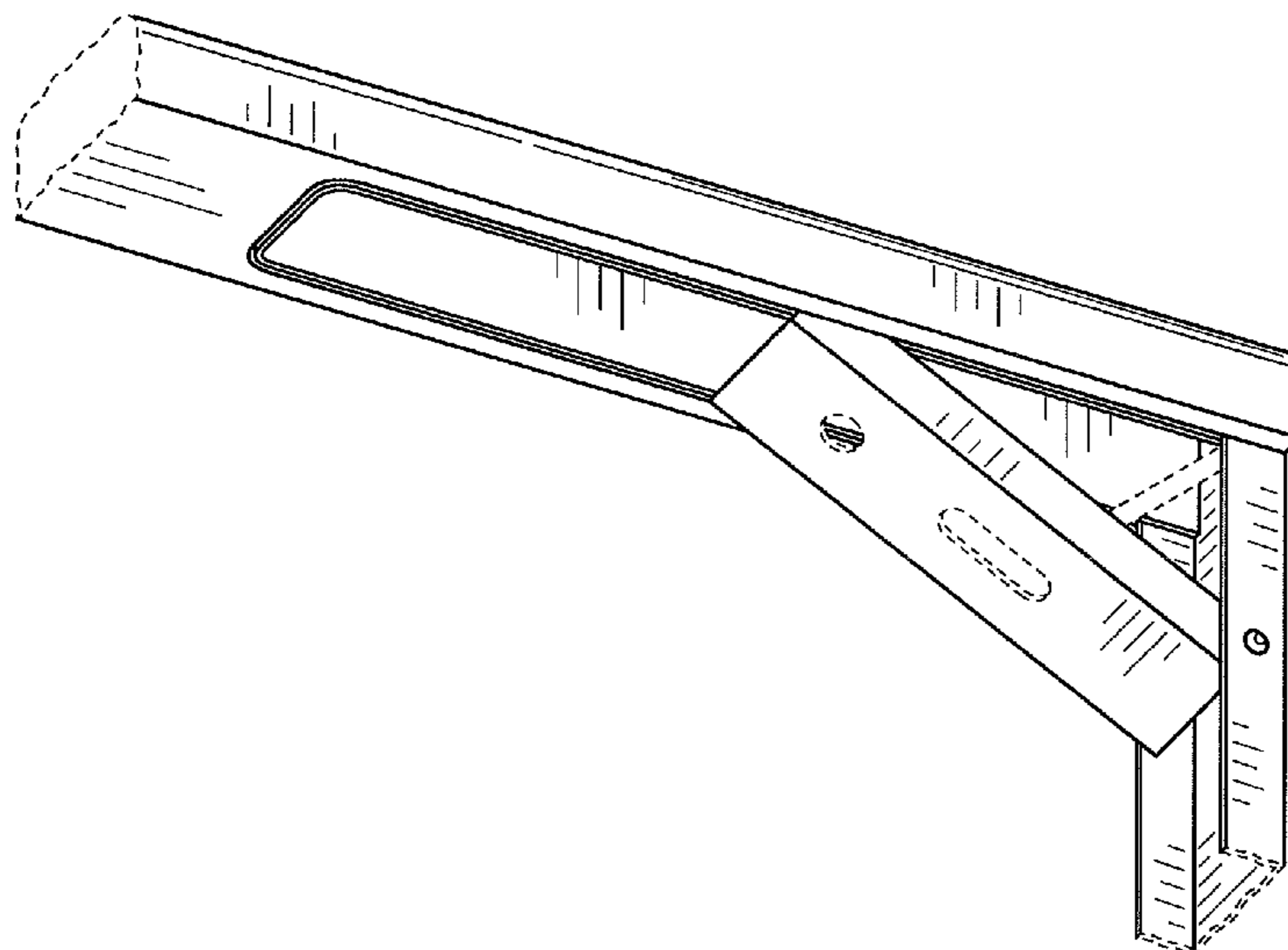
342,954 A 6/1886 Ertell
441,569 A * 11/1890 Ladd 5/313.1
475,243 A 5/1892 Langdon
1,060,186 A 4/1913 Hjorth
1,060,193 A 4/1913 Laro
1,220,758 A 3/1917 Lamphiear
1,442,090 A 1/1923 Page et al.
1,706,887 A 3/1929 Knostman
2,315,566 A 4/1943 Watral et al.
D167,411 S 8/1952 Lester
2,655,268 A 10/1953 Whaley
2,657,963 A * 11/1953 Fox 248/439
2,916,158 A 12/1959 Vosbikian et al.
3,233,745 A 2/1966 Hershberger
3,286,850 A 11/1966 Ruhnke
3,425,655 A 2/1969 Cogdill
3,464,753 A * 9/1969 Van Ryn 297/232
3,685,662 A 8/1972 Varon et al.
3,941,250 A 3/1976 Ott
3,990,582 A 11/1976 Schindel
D247,085 S 1/1978 Stoddard

(57) **CLAIM**
The ornamental design for a collapsible mounted bracket, as shown and described.

DESCRIPTION

FIG. 1 is an isometric view of a front, bottom, and side of an ornamental design for a collapsible mounted bracket; FIG. 2 is an isometric view of a front, top, and side of the collapsible mounted bracket of FIG. 1; FIG. 3 is an elevational view of a side of the collapsible mounted bracket of FIG. 1, an opposite side of the collapsible mounted bracket being identical; FIG. 4 is a front elevational view of the collapsible mounted bracket of FIG. 1; and, FIG. 5 is a top plan view of the collapsible mounted bracket of FIG. 1. The broken lines in the drawings depict environmental subject matter only and form no part of the claimed design.

1 Claim, 2 Drawing Sheets



US D709,358 S

Page 2

(56)

References Cited

U.S. PATENT DOCUMENTS

D540,585 S 4/2007 Igarashi

7,806,280 B1 10/2010 Perkins et al.
8,550,012 B2 * 10/2013 Rogers et al. 108/132
2005/0012006 A1 1/2005 O'Donoghue

* cited by examiner

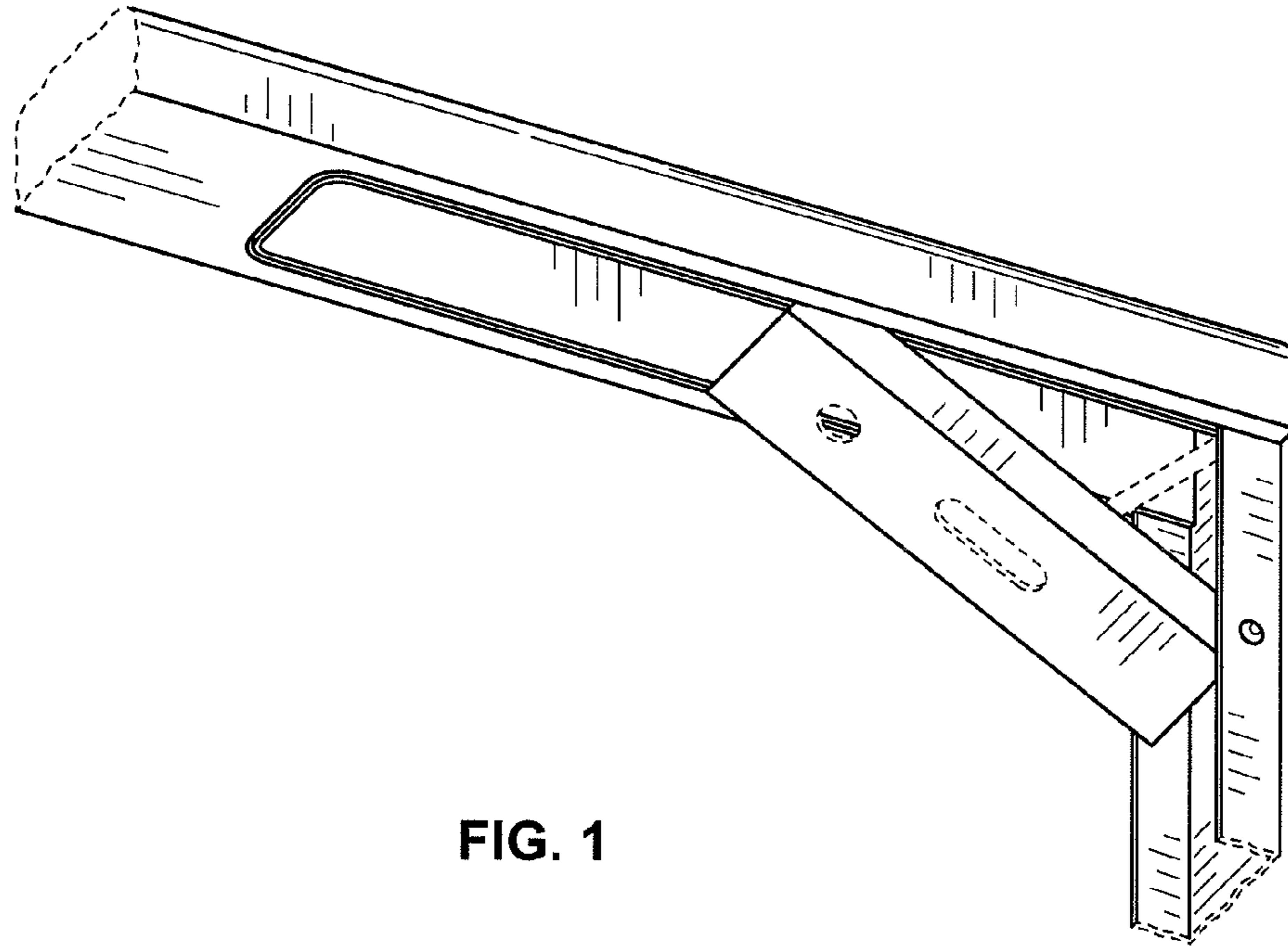


FIG. 1

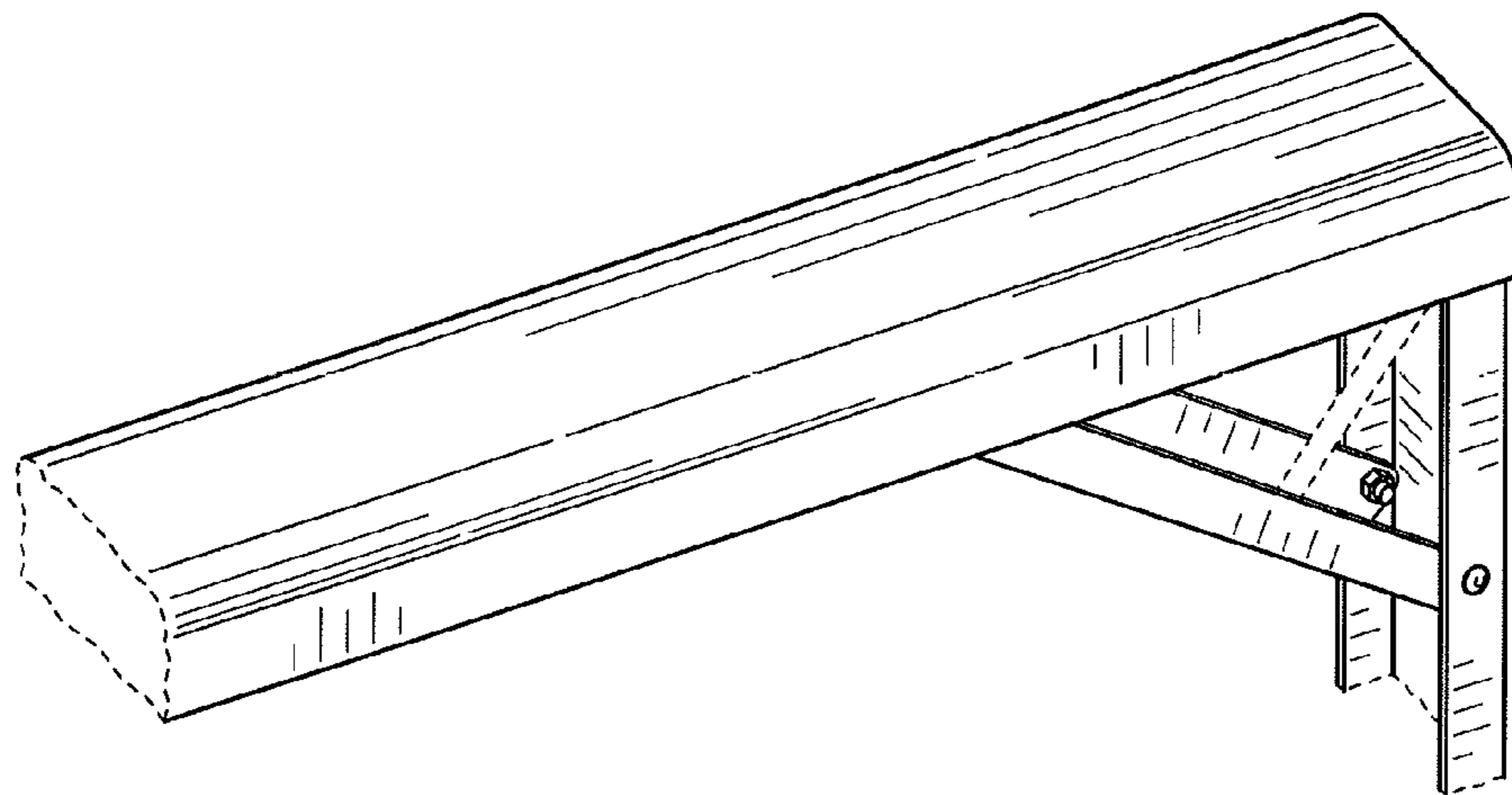


FIG. 2

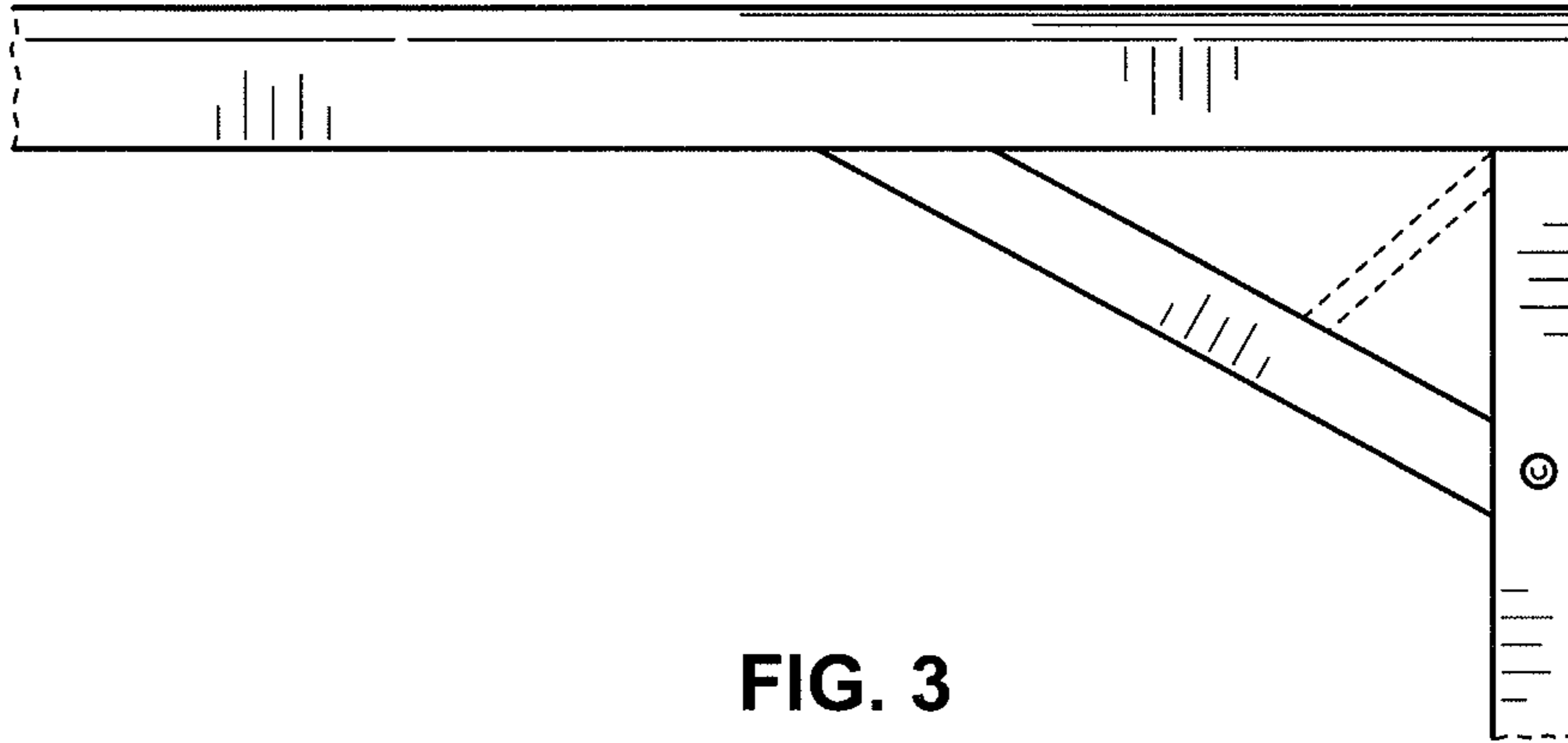


FIG. 3

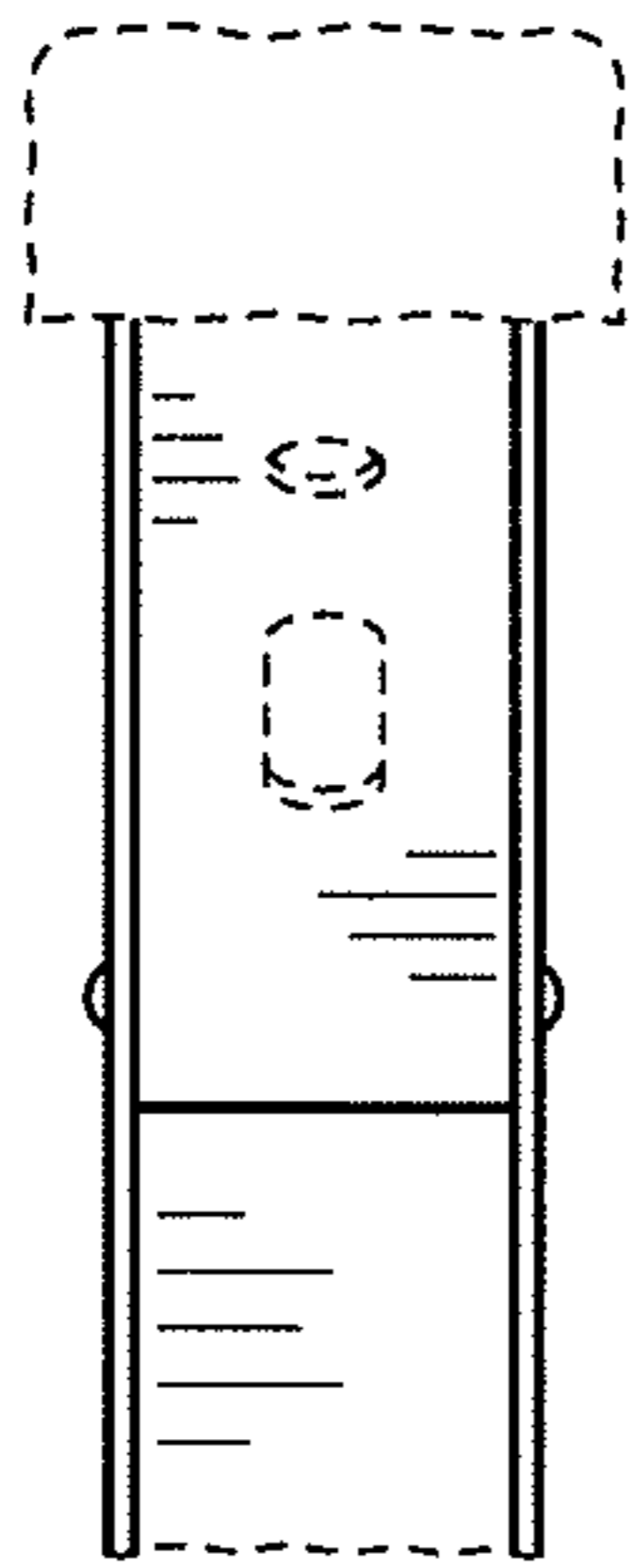


FIG. 4

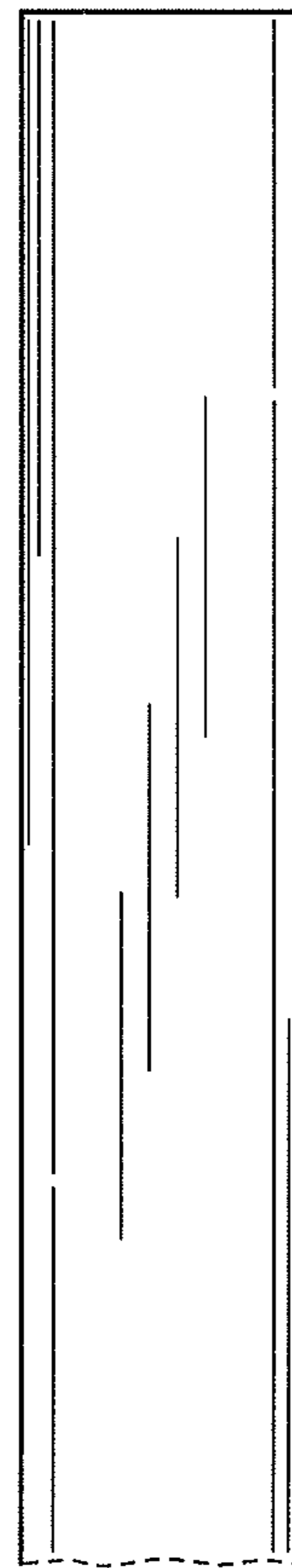


FIG. 5