



US00D709357S

(12) **United States Design Patent**  
**Bell**

(10) **Patent No.:** **US D709,357 S**

(45) **Date of Patent:** **\*\* Jul. 22, 2014**

(54) **RAIN GUTTER HANGER BRACKET**

(71) Applicant: **Euramax International, Inc.**, Norcross,  
GA (US)

(72) Inventor: **Robert Benjamin Bell**, Douglasville,  
GA (US)

(73) Assignee: **Euramax International, Inc.**, Norcross,  
GA (US)

(\*\*) Term: **14 Years**

(21) Appl. No.: **29/443,035**

(22) Filed: **Jan. 11, 2013**

(51) **LOC (10) Cl.** ..... **08-01**

(52) **U.S. Cl.**  
USPC ..... **D8/373**

(58) **Field of Classification Search**  
USPC ..... D8/363, 354, 373; 248/48.1-48.2;  
52/11

See application file for complete search history.

(56) **References Cited**

**U.S. PATENT DOCUMENTS**

4,210,301	A *	7/1980	Weiss	.....	248/48.2
4,345,731	A *	8/1982	Rowe	.....	248/48.2
5,004,191	A *	4/1991	Corry	.....	248/48.2
6,209,826	B1	4/2001	Pratt, Jr.		
6,254,039	B1 *	7/2001	Zimmerman	.....	248/48.2
6,453,622	B1	9/2002	Walters		
6,470,628	B1	10/2002	Walters		

6,543,729	B1	4/2003	Ylonen		
6,631,587	B2	10/2003	Lynch		
D481,929	S *	11/2003	McNichol	.....	D8/373
6,658,796	B1 *	12/2003	Higgins	.....	52/11
6,726,155	B1	4/2004	Zimmerman		
D541,636	S	5/2007	Walker		
7,494,095	B2	2/2009	Walker		

\* cited by examiner

*Primary Examiner* — Holly Baynham

(74) *Attorney, Agent, or Firm* — Kilpatrick Townsend & Stockton, LLP

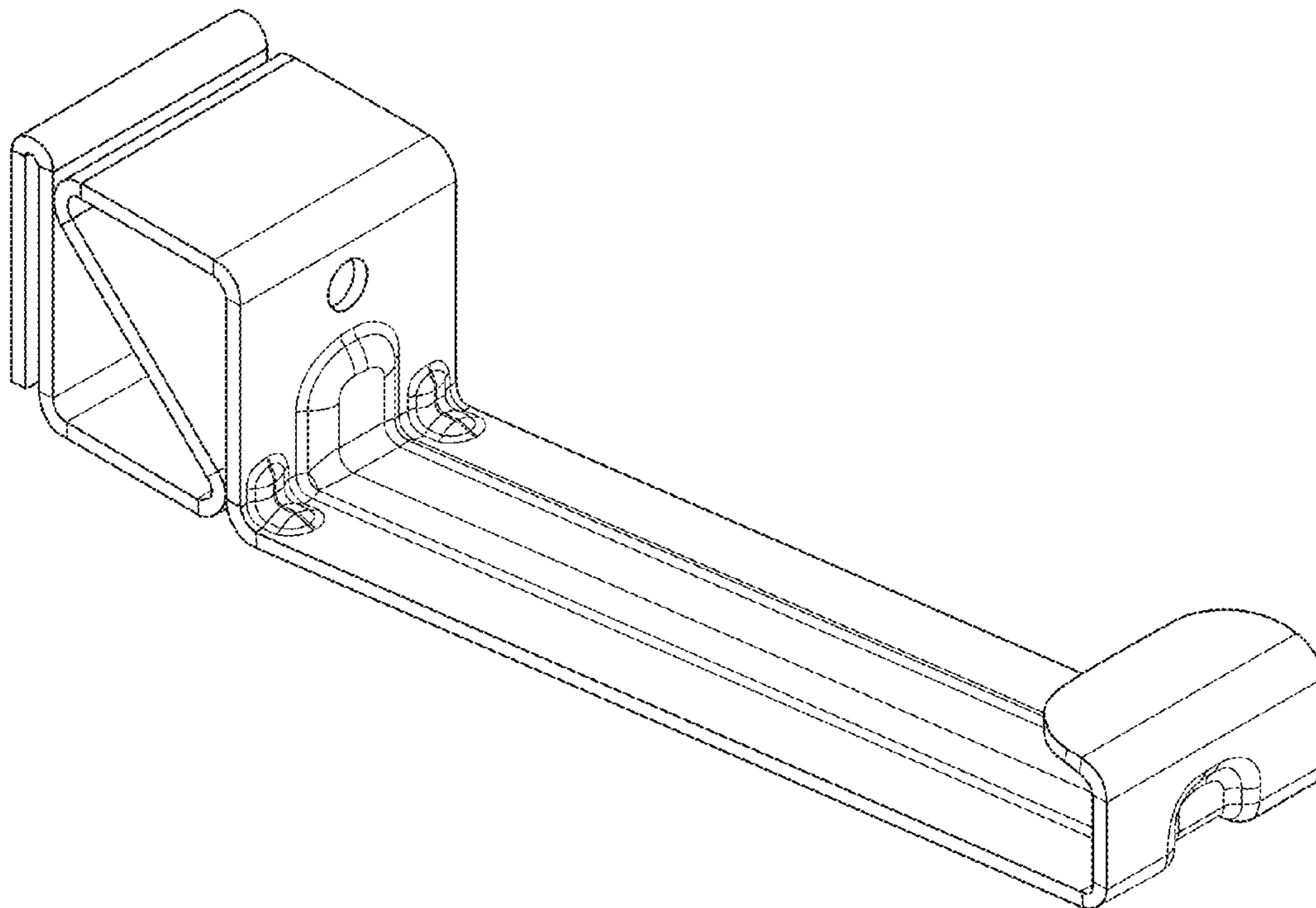
(57) **CLAIM**

The ornamental design for a rain gutter hanger bracket, as shown and described.

**DESCRIPTION**

FIG. 1 is a right, front perspective view of the rain gutter hanger bracket showing my new design;  
 FIG. 2 is a right side elevational view of the rain gutter hanger bracket;  
 FIG. 3 is a left side elevational view thereof;  
 FIG. 4 is a top plan view thereof;  
 FIG. 5 is a bottom plan view thereof;  
 FIG. 6 is a rear end elevational view thereof;  
 FIG. 7 is a front end elevational view thereof;  
 FIG. 8 is a right, rear perspective view thereof;  
 FIG. 9 is a lower, left, rear perspective view thereof; and,  
 FIG. 10 is a left, front perspective view thereof.

**1 Claim, 5 Drawing Sheets**



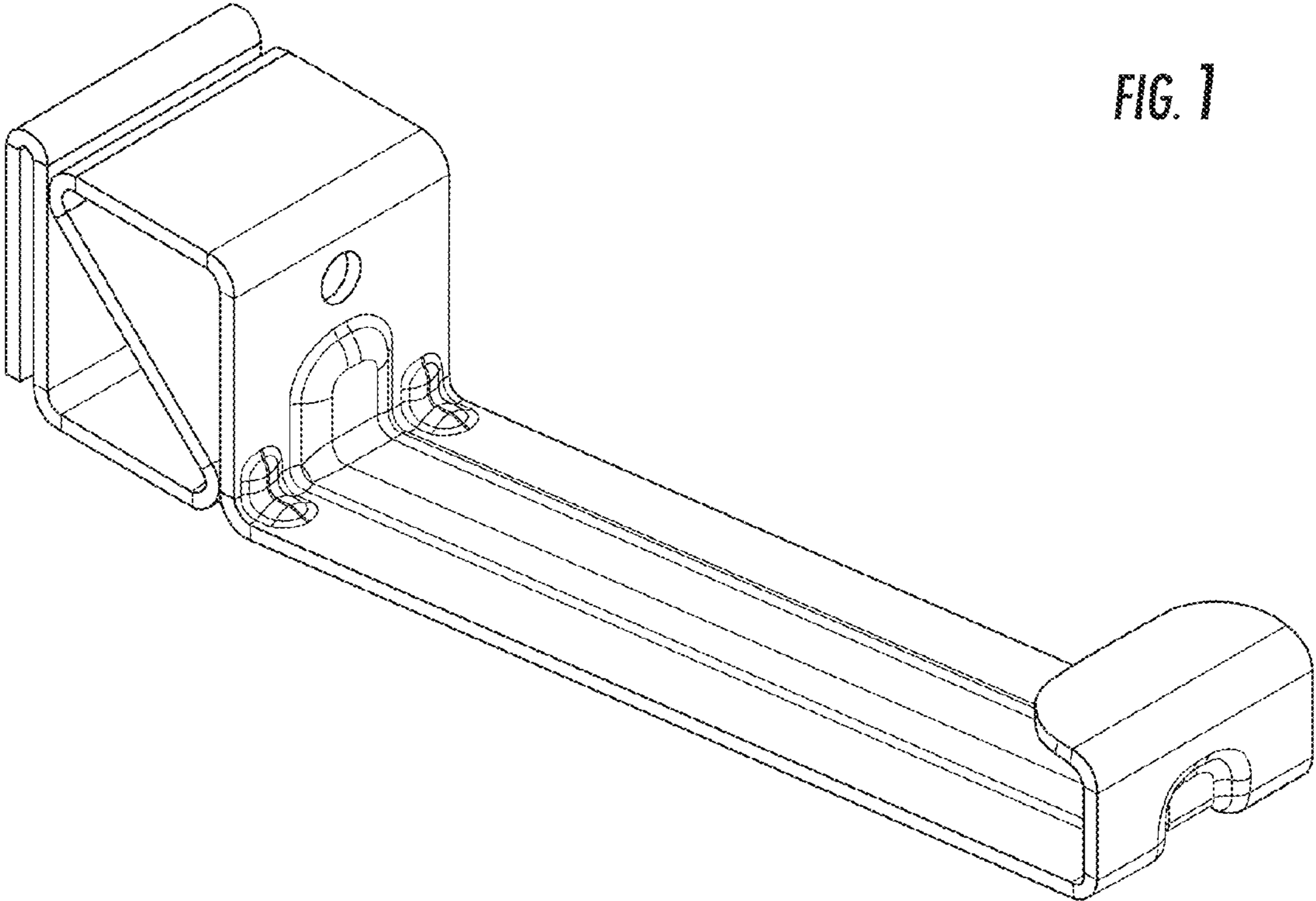


FIG. 1

FIG. 2

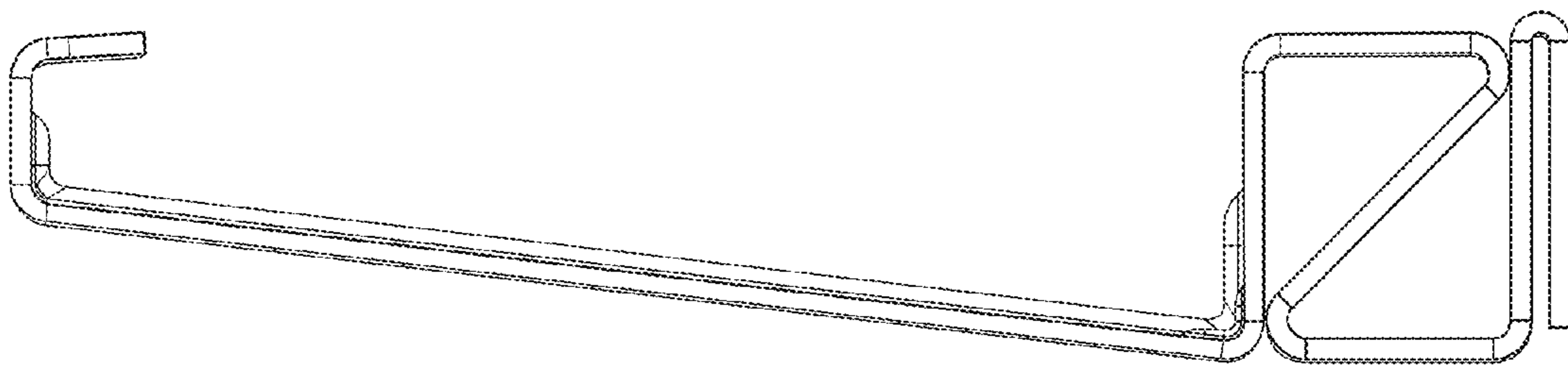
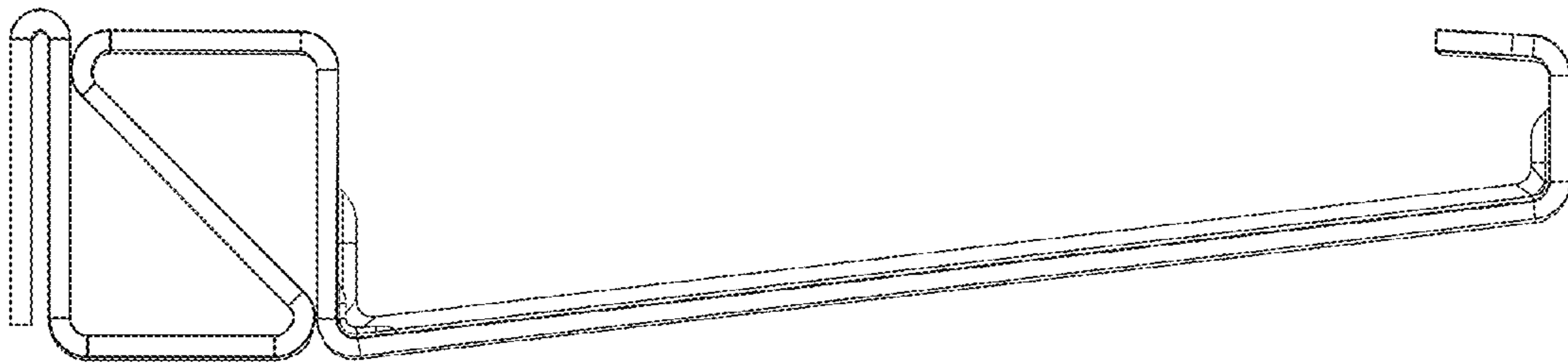


FIG. 3

FIG. 4

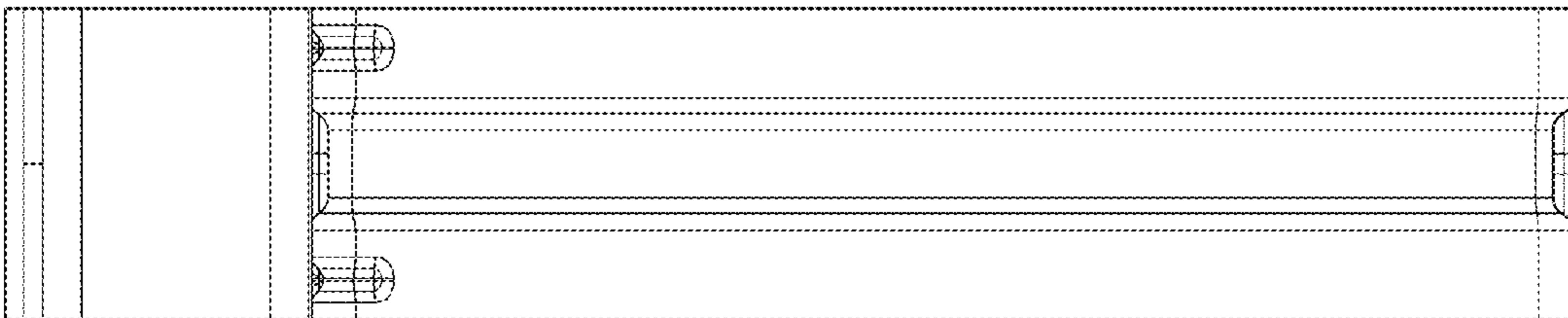
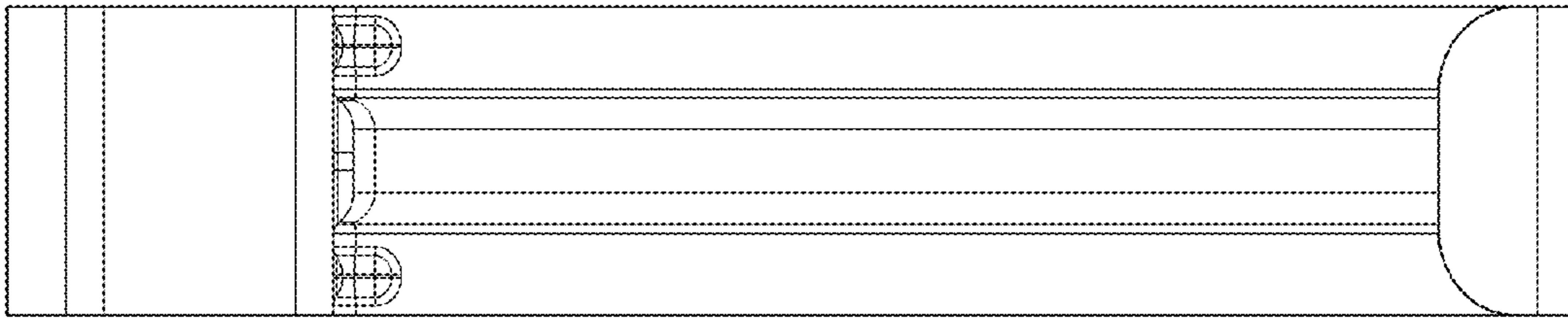


FIG. 5

FIG. 6

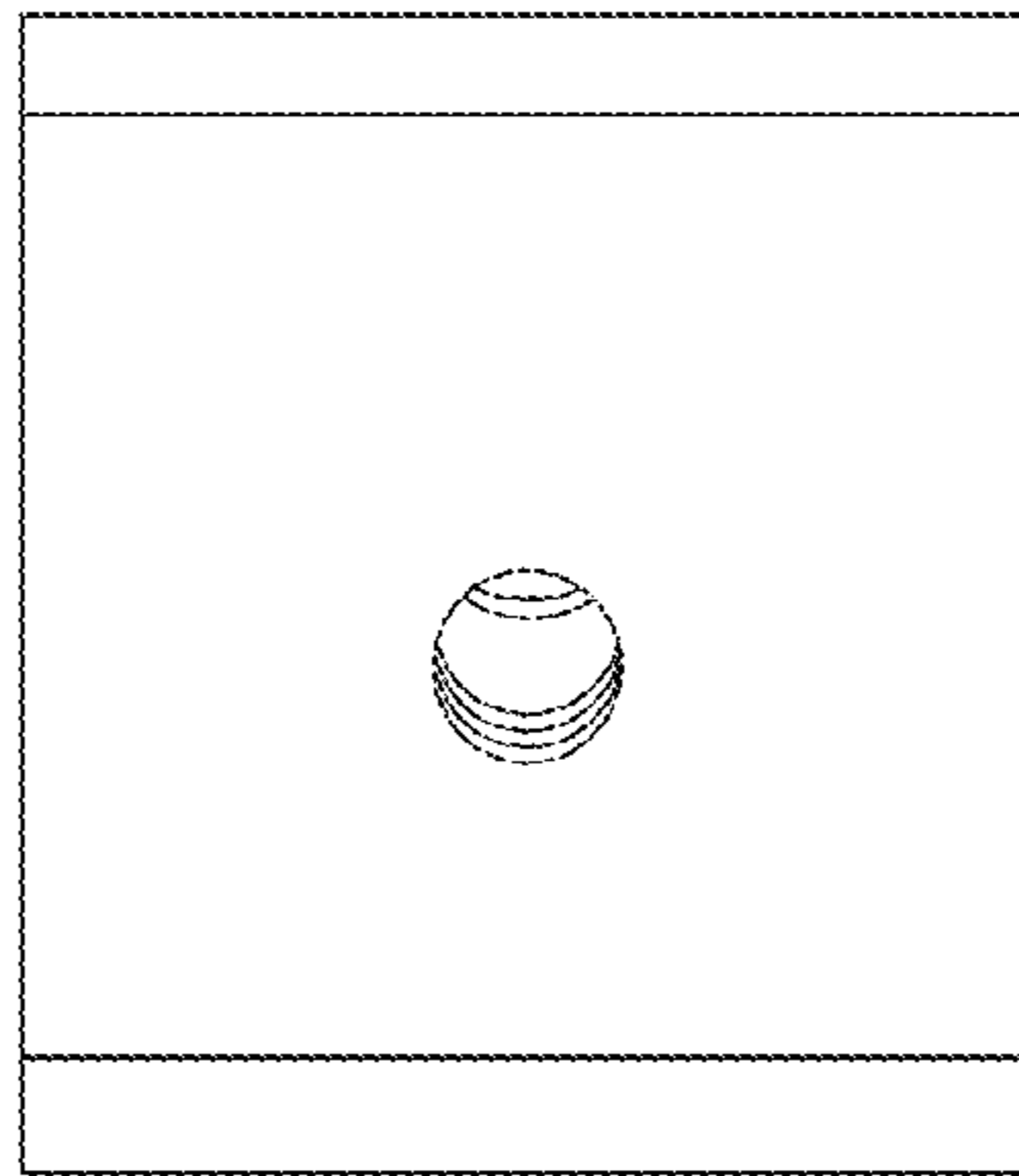
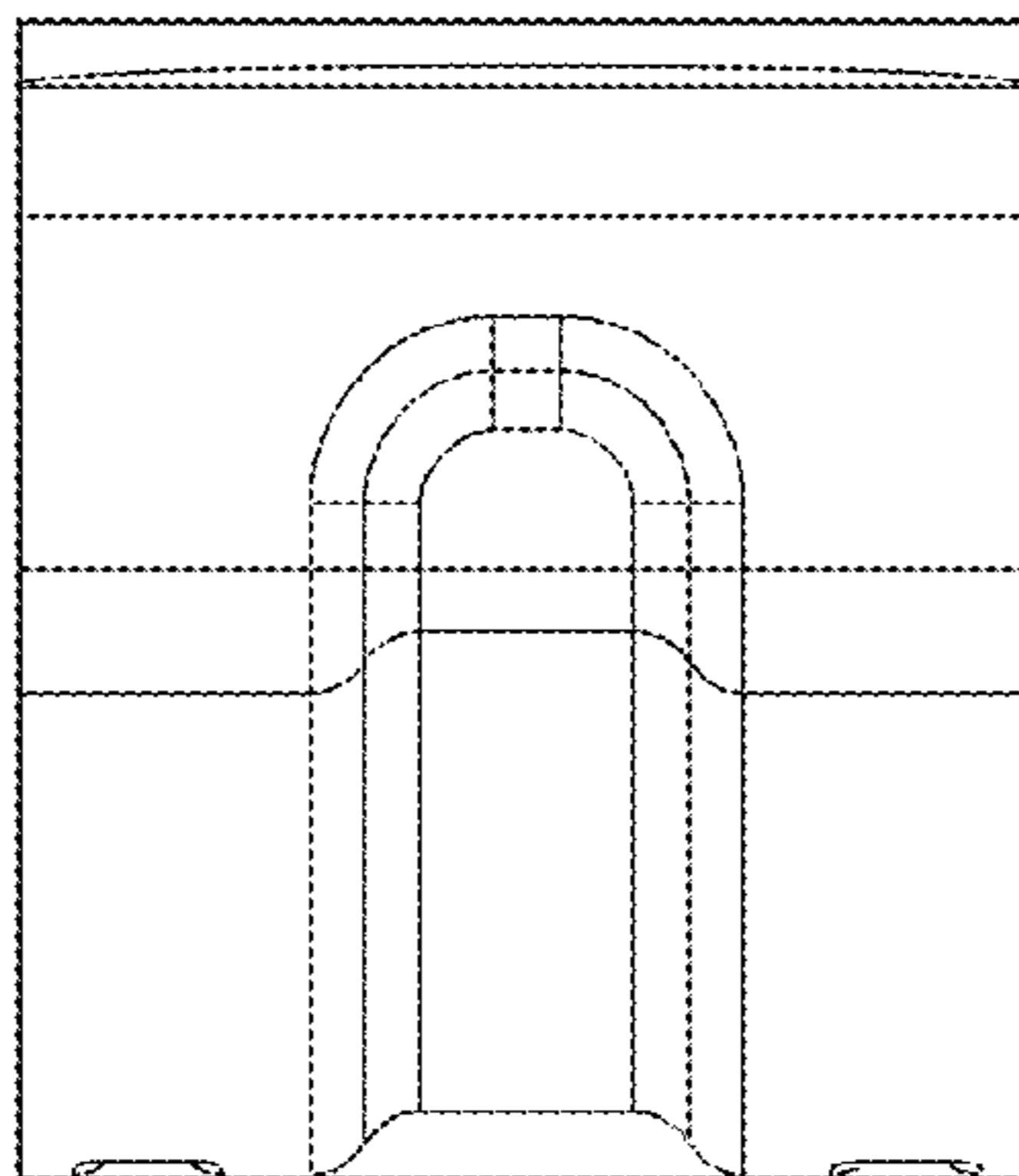


FIG. 7



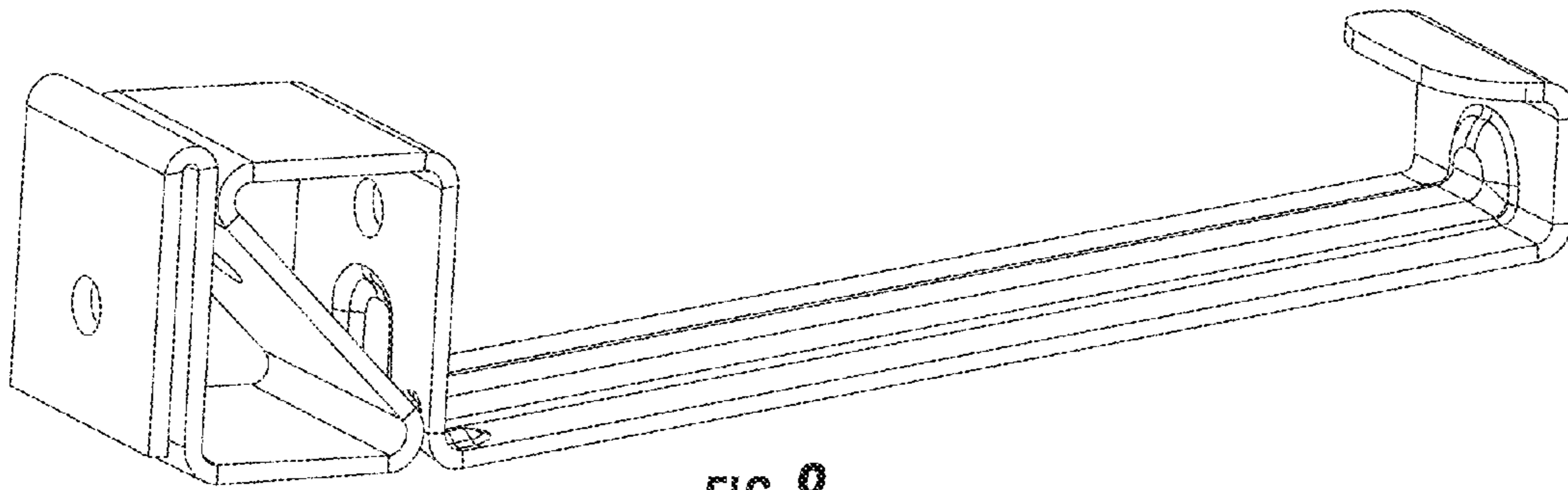


FIG. 8

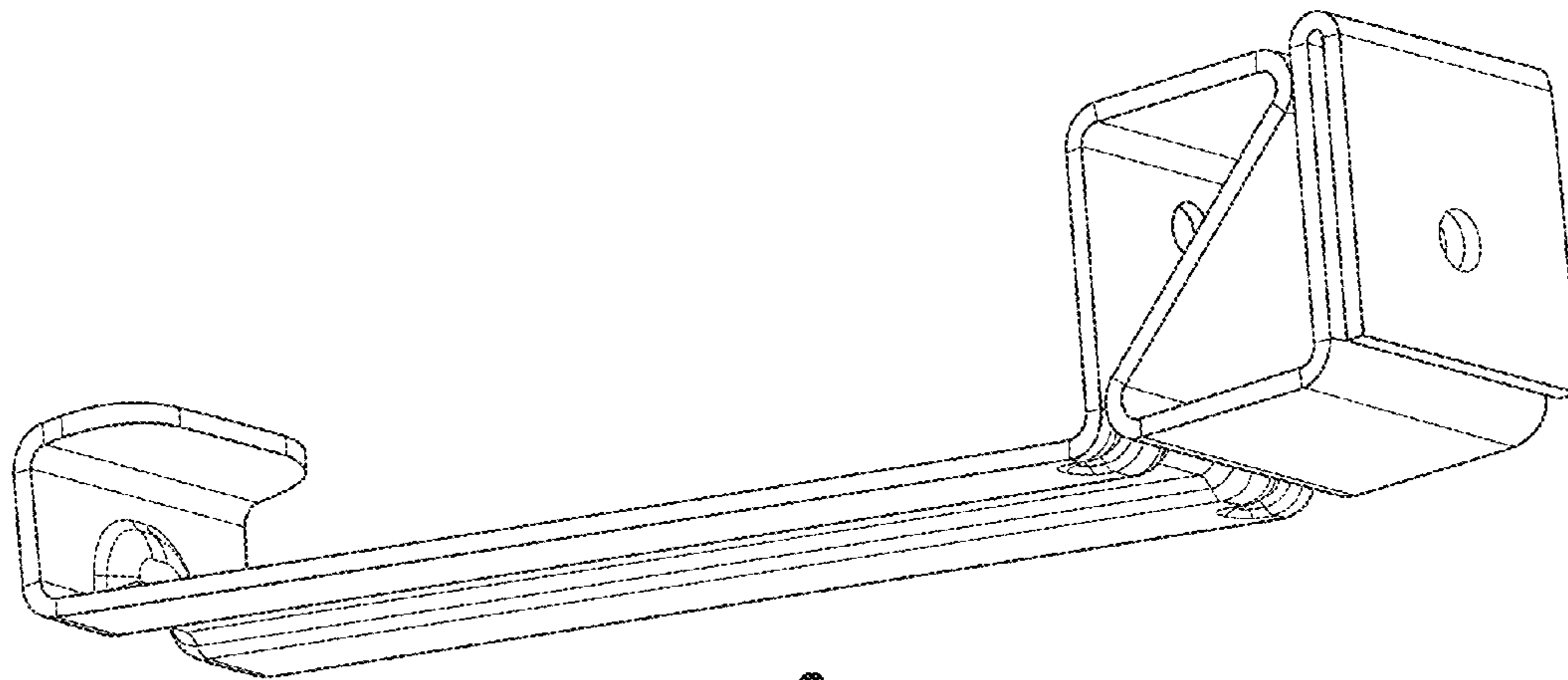


FIG. 9

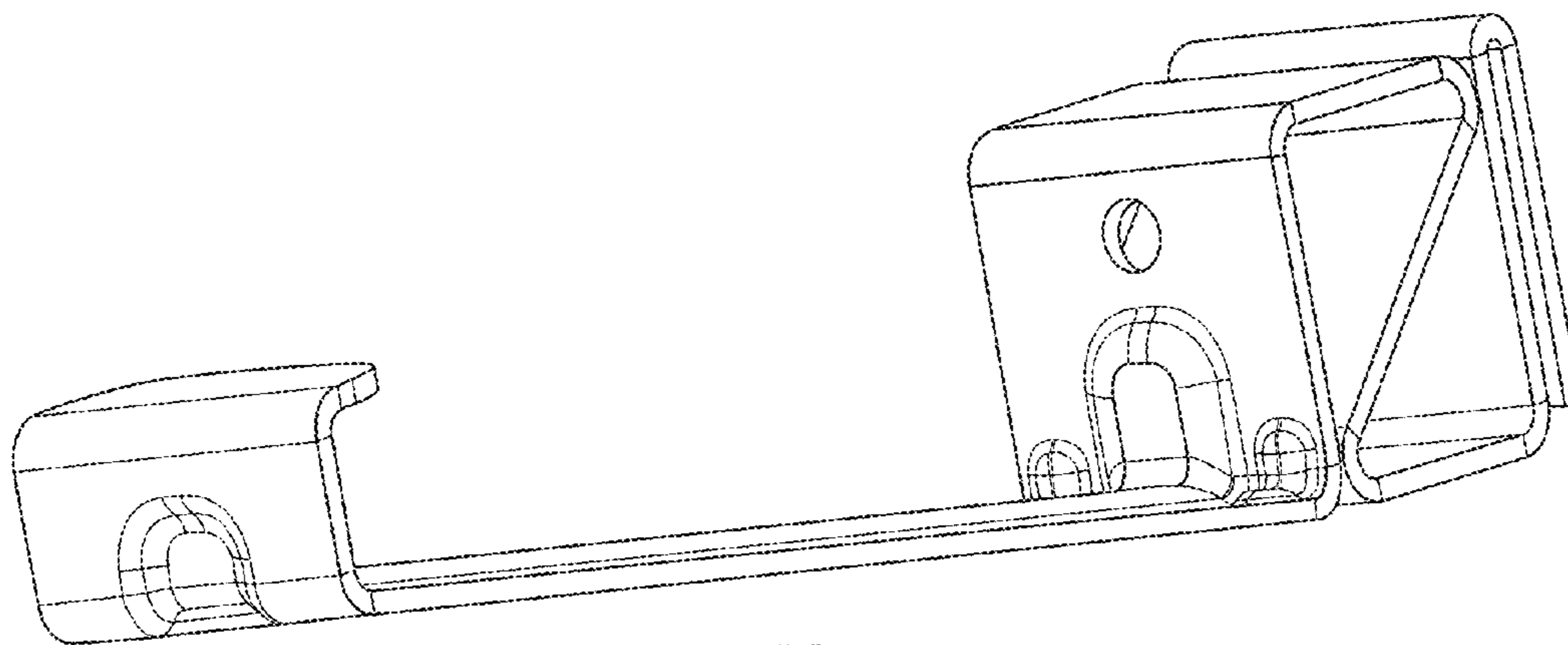


FIG. 10