



US00D709356S

(12) **United States Design Patent**
Pollard

(10) **Patent No.:** **US D709,356 S**
(45) **Date of Patent:** **** Jul. 22, 2014**

- (54) **REUSABLE HANGER**
- (71) Applicant: **Bradley S. Pollard**, Madisonville, KY
(US)
- (72) Inventor: **Bradley S. Pollard**, Madisonville, KY
(US)
- (**) Term: **14 Years**
- (21) Appl. No.: **29/432,504**
- (22) Filed: **Sep. 17, 2012**
- (51) **LOC (10) Cl.** **08-05**
- (52) **U.S. Cl.**
USPC **D8/373**
- (58) **Field of Classification Search**
USPC D8/349, 354, 373; 248/300, 301, 304,
248/214–215
See application file for complete search history.

2,891,752 A	6/1959	Genter	
3,785,598 A	1/1974	Gillstrap	
4,293,243 A	10/1981	Graybeal et al.	
5,556,234 A	9/1996	Oldsen	
5,779,198 A	7/1998	Rutherford et al.	
D618,992 S *	7/2010	Rix	D8/394
D638,284 S *	5/2011	Craft	D8/373

* cited by examiner

Primary Examiner — Holly Baynham
(74) *Attorney, Agent, or Firm* — Julie A. Tennyson

- (56) **References Cited**
U.S. PATENT DOCUMENTS

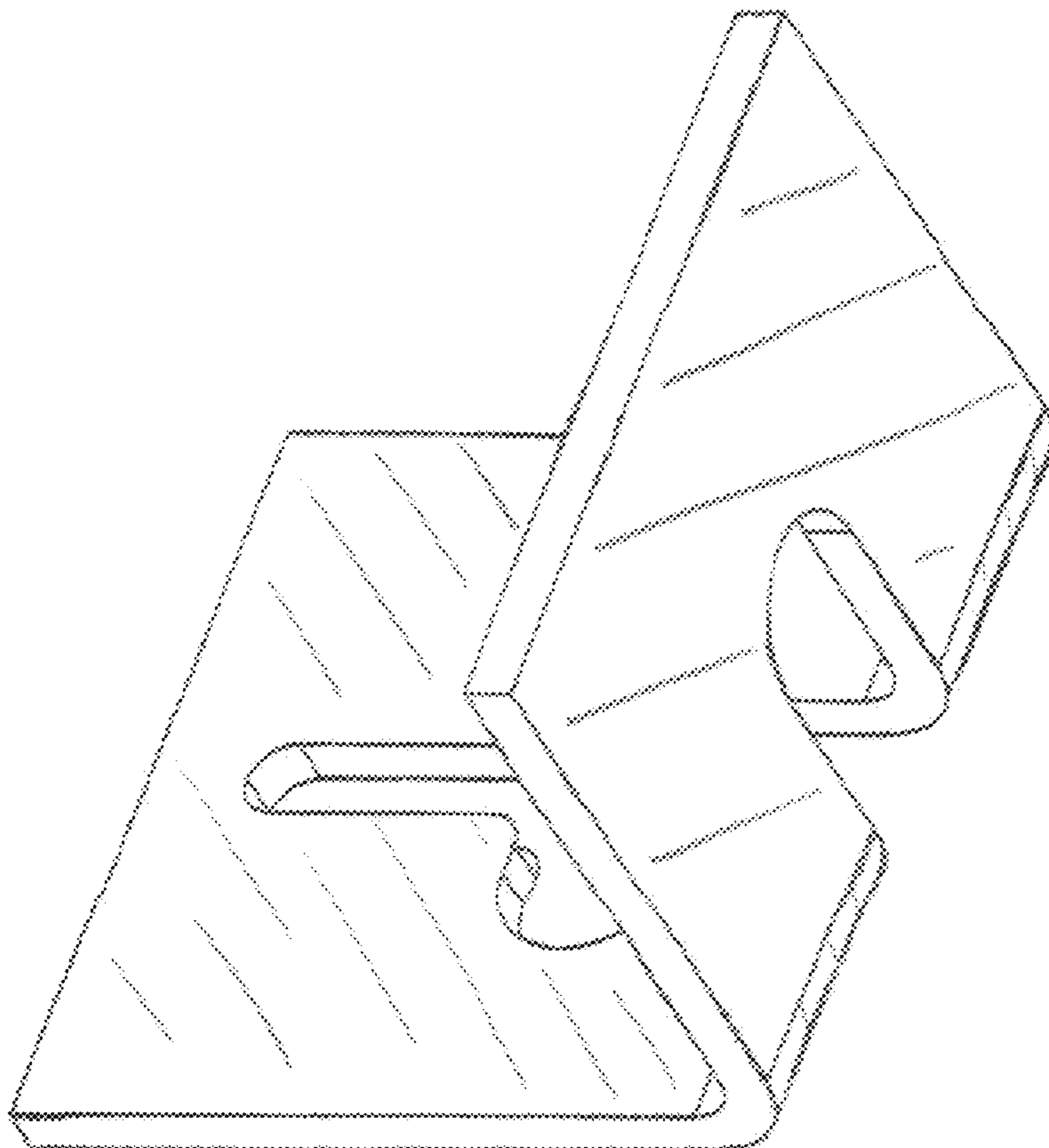
507,717 A 9/1893 Mundwiler
2,862,368 A 12/1958 Dempsey

(57) **CLAIM**
I claim the ornamental design for a reusable hanger, as shown and described.

DESCRIPTION

FIG. 1 is an isometric left view of the reusable hanger.
FIG. 2 is a bottom view of the reusable hanger.
FIG. 3 is a top isometric view of the reusable hanger.
FIG. 4 is a back, isometric view; and,
FIG. 5 is a top isometric view.

1 Claim, 5 Drawing Sheets



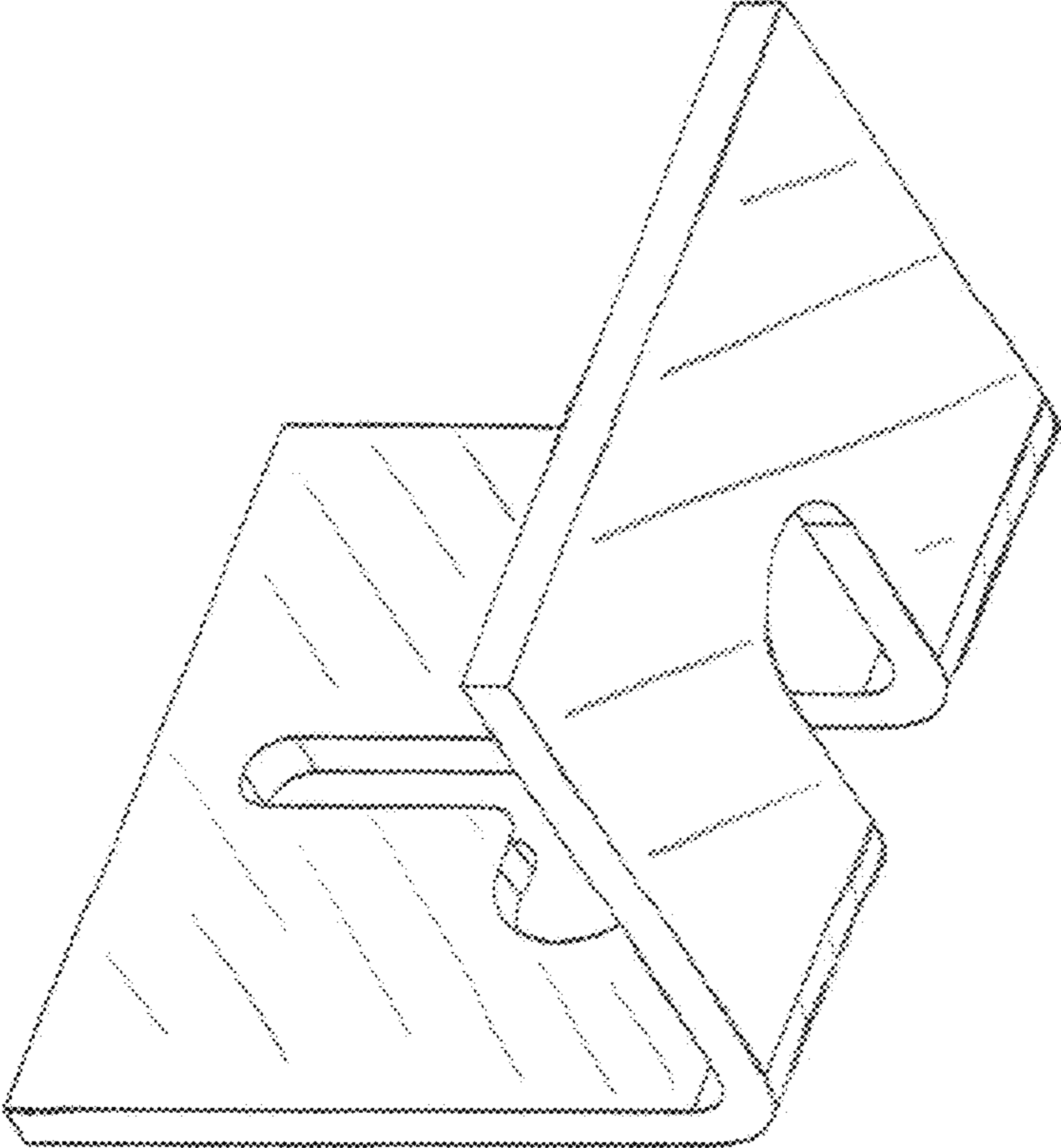


FIGURE 1

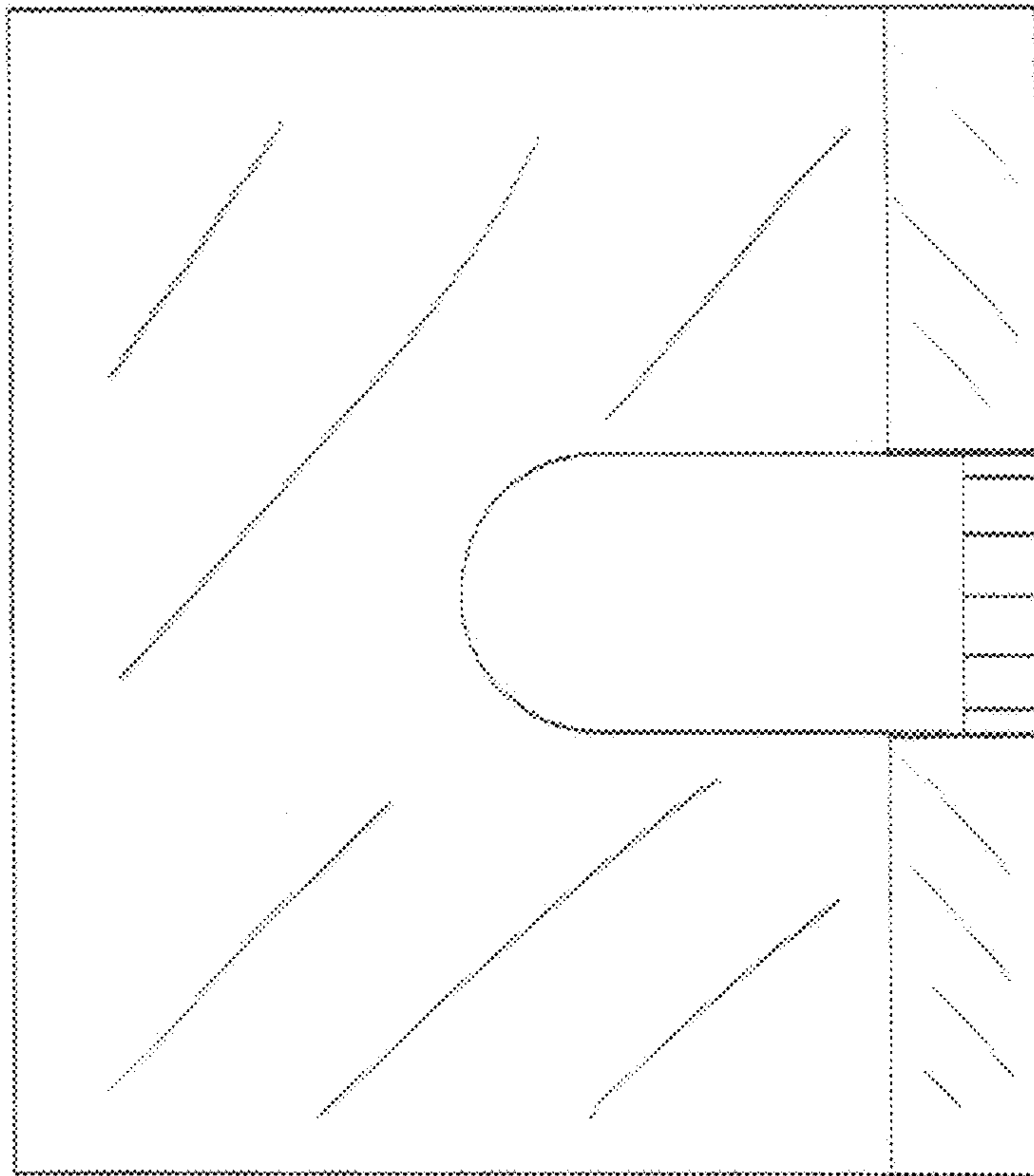


FIGURE 2

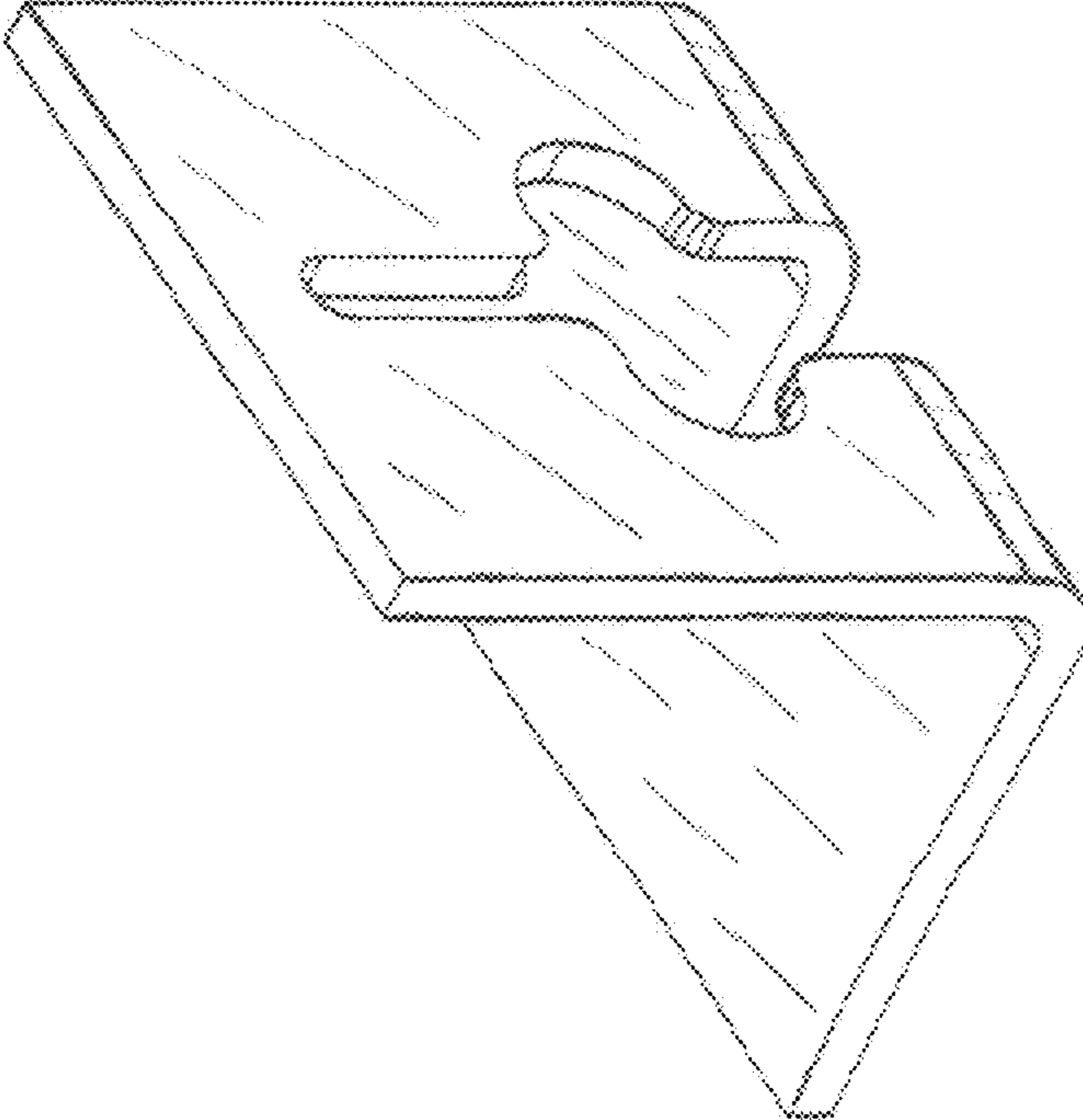


FIGURE 3

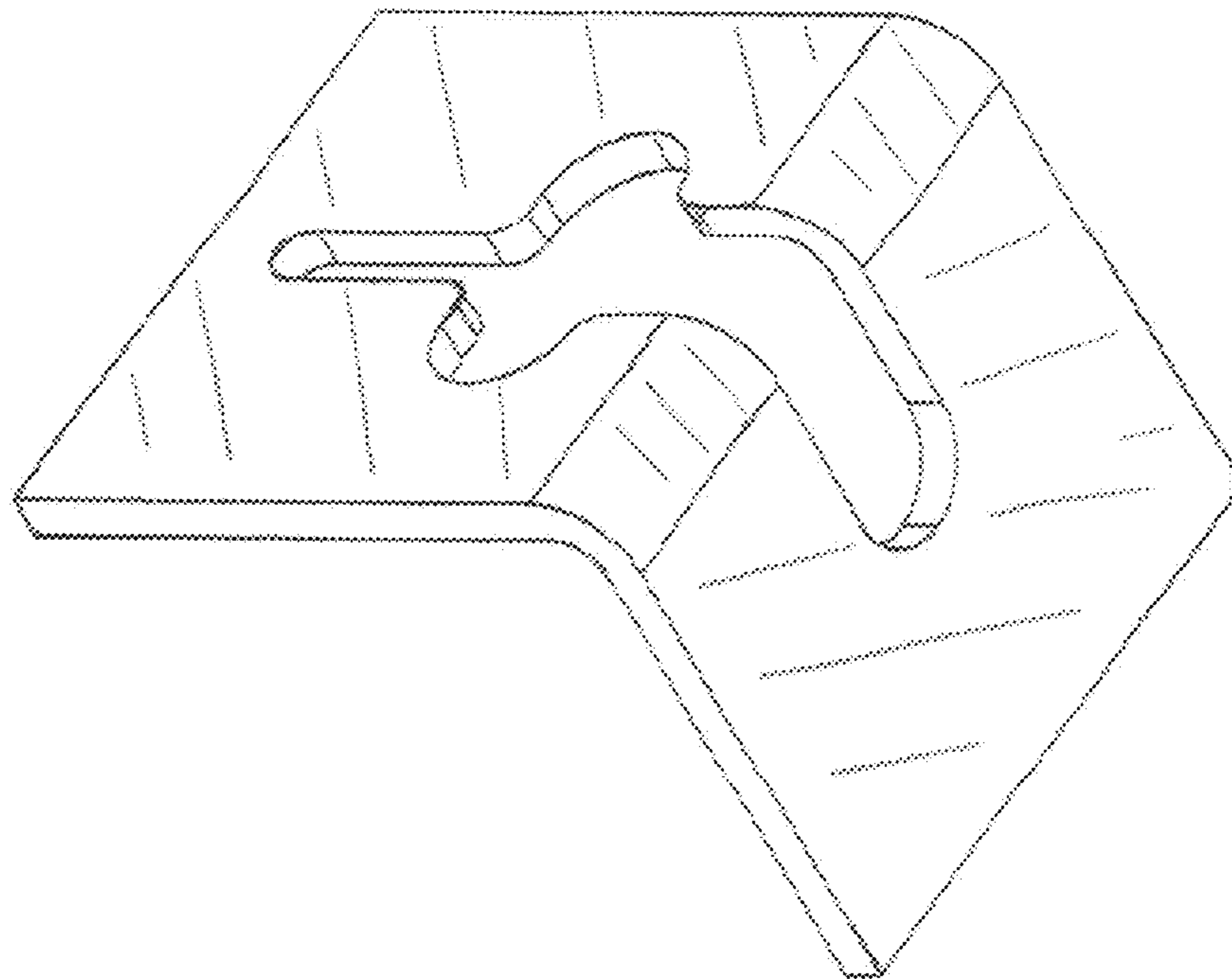


FIGURE 4

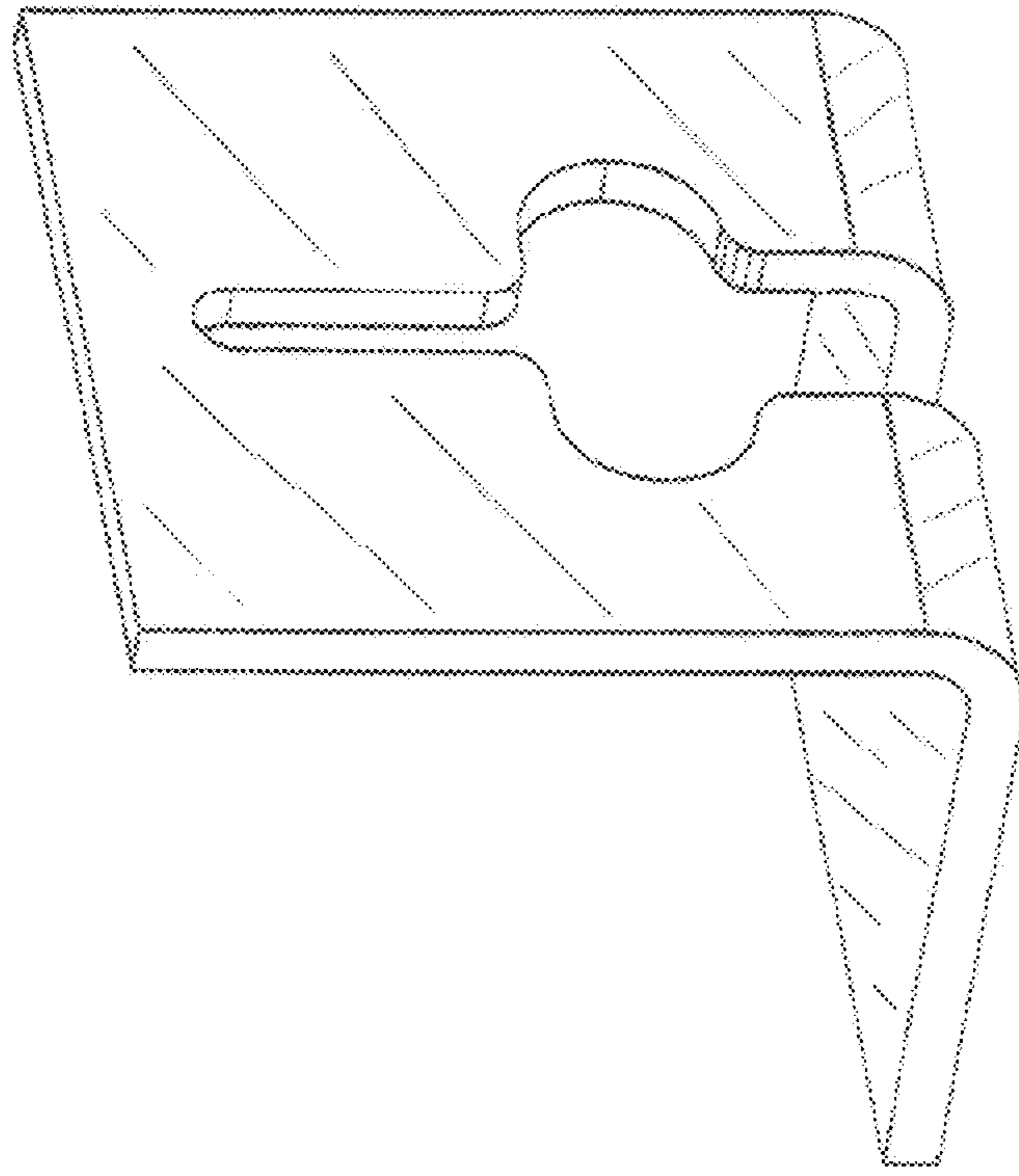


FIGURE 5