



US00D709354S

(12) **United States Design Patent**
Komeno et al.

(10) **Patent No.:** **US D709,354 S**
(45) **Date of Patent:** **** Jul. 22, 2014**

- (54) **CLIP**
- (71) Applicants: **Jun Komeno**, Aichi-ken (JP); **Takahiro Sugiyama**, Aichi-ken (JP); **Toshio Iwahara**, Okazaki (JP)
- (72) Inventors: **Jun Komeno**, Aichi-ken (JP); **Takahiro Sugiyama**, Aichi-ken (JP); **Toshio Iwahara**, Okazaki (JP)

D329,194 S	9/1992	Gillooly	D8/356
5,207,403 A	5/1993	Penniman	248/215
D421,709 S	3/2000	Haslem et al.	D8/354
6,074,150 A	6/2000	Shinozaki et al.	411/508
6,317,937 B1	11/2001	Ishihara et al.	24/297
D473,448 S	4/2003	Wu et al.	D8/356
D479,378 S	9/2003	Simpson	D34/35
6,718,599 B2	4/2004	Dickinson et al.	24/295
D494,452 S	8/2004	Sheldon et al.	D8/367
7,120,971 B2	10/2006	Osterland et al.	24/295
D538,137 S	3/2007	Dukes	D8/356

(**) Term: **14 Years**

(Continued)

(21) Appl. No.: **29/455,726**

FOREIGN PATENT DOCUMENTS

(22) Filed: **May 23, 2013**

JP	1052871	10/1999
JP	D1052871-1	7/2000
JP	D1332479	6/2008
JP	D1359892	5/2009

Related U.S. Application Data

(62) Division of application No. 29/433,326, filed on Sep. 28, 2012, now Pat. No. Des. 691,026.

Primary Examiner — Cynthia Underwood

(74) *Attorney, Agent, or Firm* — Ladas & Parry LLP

(30) **Foreign Application Priority Data**

Mar. 28, 2012 (JP) 2012-007068
 Mar. 28, 2012 (JP) 2012-007069

(57) **CLAIM**

The ornamental design for a clip, as shown and described.

(51) **LOC (10) Cl.** **08-05**

DESCRIPTION

(52) **U.S. Cl.**
USPC **D8/356**

(58) **Field of Classification Search**
 USPC D8/367, 356, 371, 373, 354, 355, 349,
 D8/395, 394, 382, 499; D6/323; D3/24;
 248/215, 301, 339, 349.1; 160/349.2;
 24/265 H, 265 R, 599.1, 599.8, 113 R,
 24/573.5, 297, 453, 295, 289, 293, 704.1;
 294/82.18; 29/525.1, 45.3; 223/106;
 D14/432, 140, 217; 411/508

See application file for complete search history.

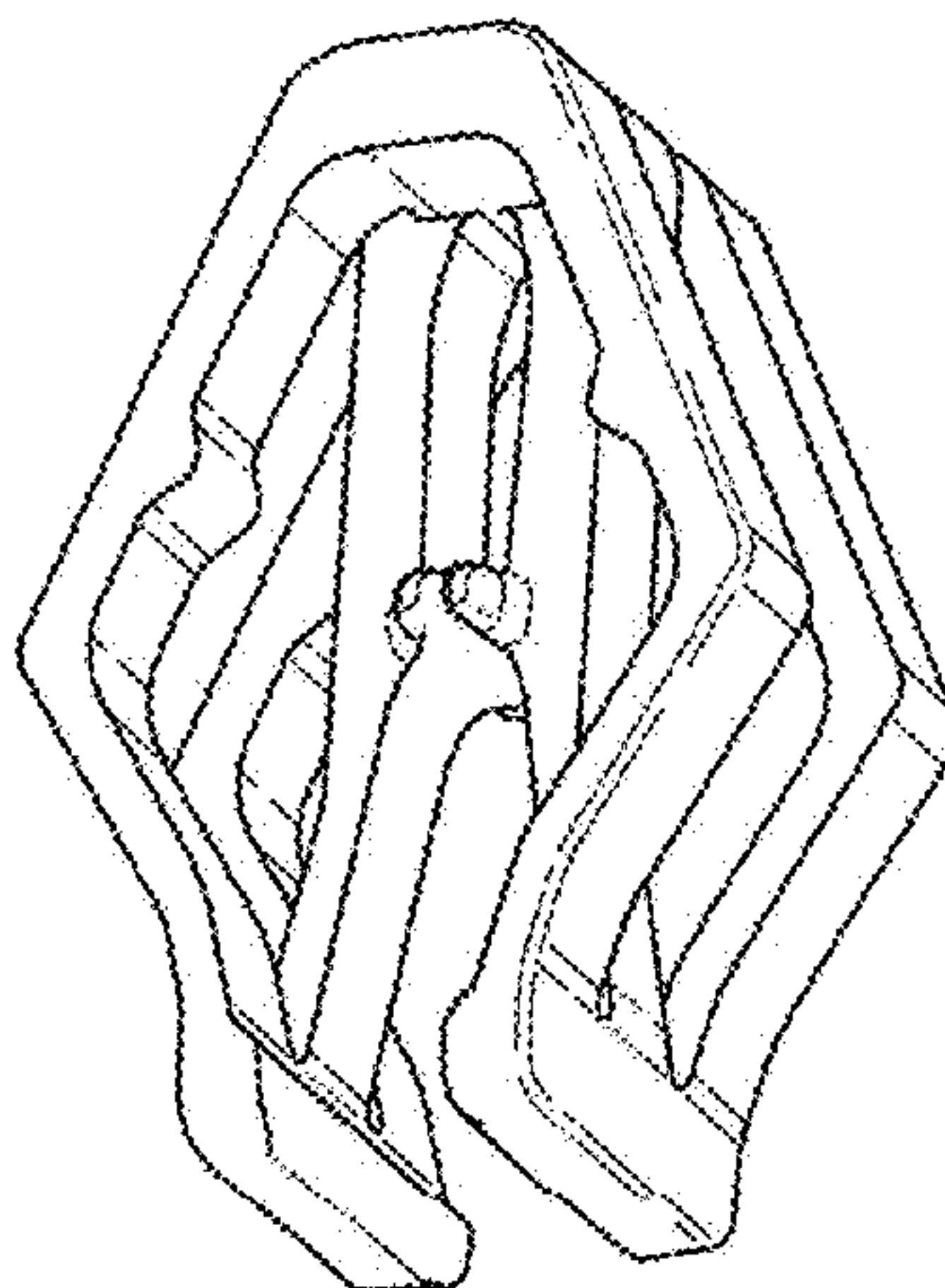
FIG. 1 perspective view viewed from the top side of a clip showing our new design;
 FIG. 2 is a perspective view viewed from bottom side thereof;
 FIG. 3 is a front elevation view thereof;
 FIG. 4 is a right side elevation view thereof;
 FIG. 5 is a top plan view thereof;
 FIG. 6 is a bottom plan view thereof;
 FIG. 7 is a cross-sectional view taken along line 7-7 in FIG. 3;
 FIG. 8 is a cross-sectional view taken along line 8-8 in FIG. 4;
 and,
 FIG. 9 is a perspective view from the top side shown reduced in scale and in an environment of use, the broken lines forming no part of the claim.
 The broken lines shown in the drawings represent unclaimed portions of the clip and form no part of the claimed design.

(56) **References Cited**

U.S. PATENT DOCUMENTS

2,069,691 A	2/1937	Wilson et al.	24/27
D194,869 S	3/1963	Stall	D8/373

1 Claim, 4 Drawing Sheets



(56)

References Cited

U.S. PATENT DOCUMENTS

7,287,945	B2 *	10/2007	Lubera et al.	411/508	D647,389	S	10/2011	Gracia	D8/367
D556,021	S	11/2007	Sexton	D8/356	8,038,167	B2 *	10/2011	Slobodecki et al.	280/728.2
D570,203	S	6/2008	Shiomoto	D8/395	D658,974	S	5/2012	Komeno	D8/356
D572,129	S	7/2008	Keays	D8/395	D690,583	S *	10/2013	Sendra-Gonzalez et al. ..	D8/394
7,399,151	B2 *	7/2008	Lubera et al.	411/522	2002/0194710	A1	12/2002	Dickinson et al.	24/295
7,444,721	B2 *	11/2008	Smith et al.	24/297	2004/0083582	A1	5/2004	Dickinson et al.	24/295
7,475,934	B2	1/2009	Sato et al.	296/146.7	2004/0096272	A1	5/2004	Dickinson et al.	403/397
7,496,994	B1	3/2009	Headley	24/303	2005/0076602	A1	4/2005	Routhier	52/698
7,725,991	B2 *	6/2010	Lubera et al.	24/295	2005/0105987	A1	5/2005	Giugliano et al.	411/508
7,849,567	B2 *	12/2010	Dickenson et al.	24/293	2005/0155191	A1 *	7/2005	Asano et al.	24/297
					2005/0217082	A1	10/2005	Vassiliou	24/294
					2006/0085955	A1 *	4/2006	Asano	24/297
					2007/0216139	A1 *	9/2007	Mazanek et al.	280/728.2

* cited by examiner

FIG. 1

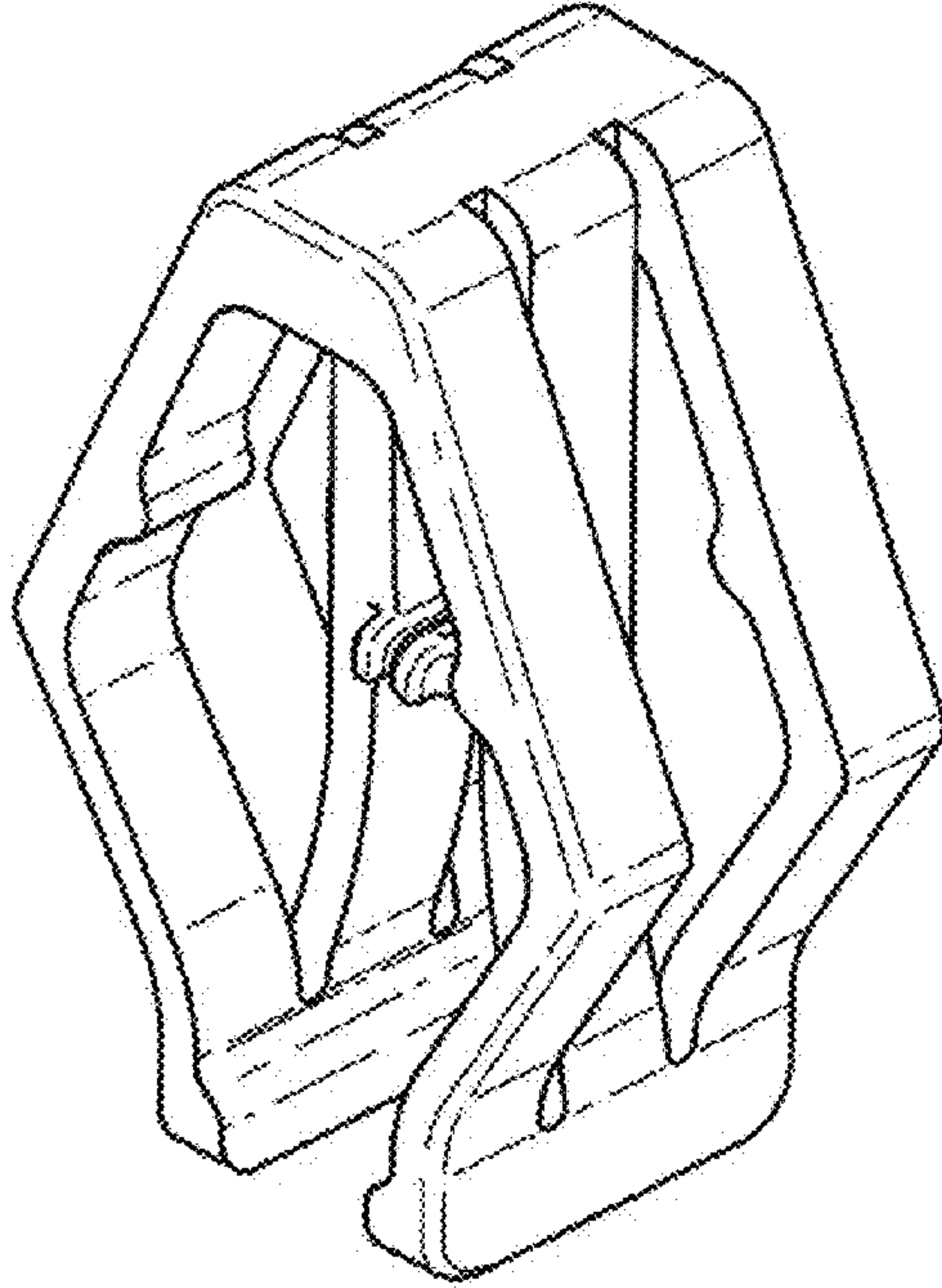


FIG. 2

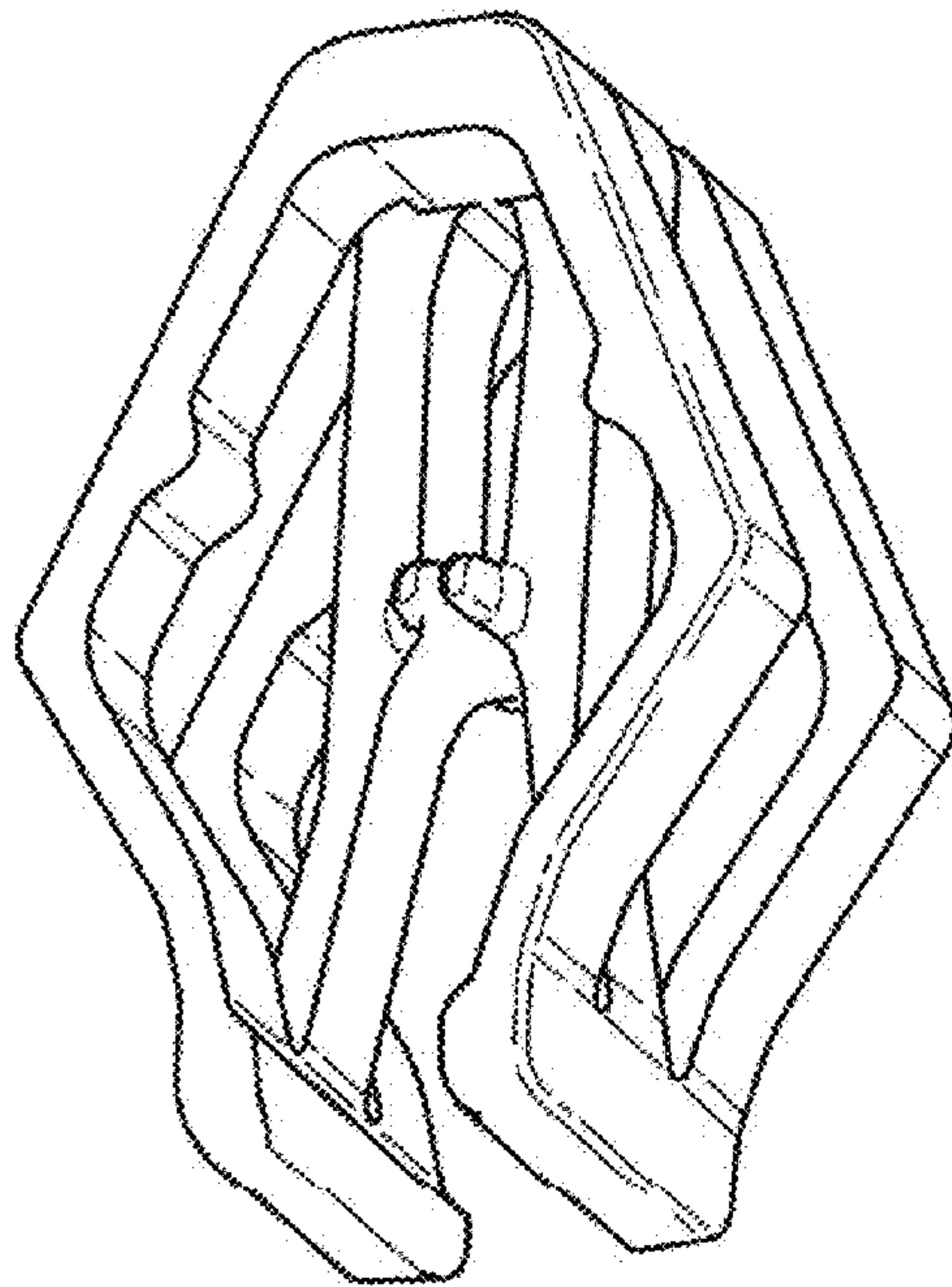


FIG. 3

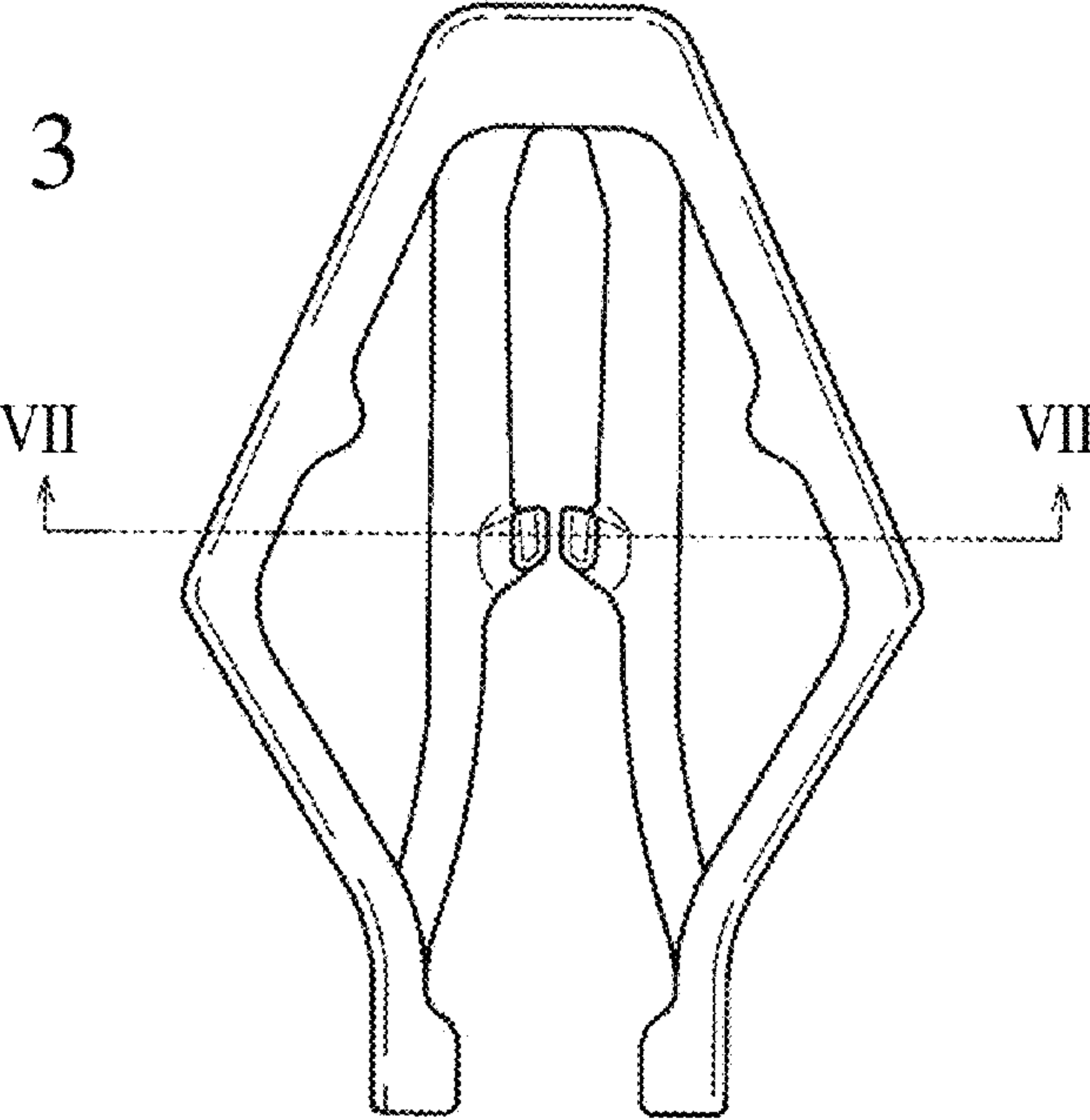
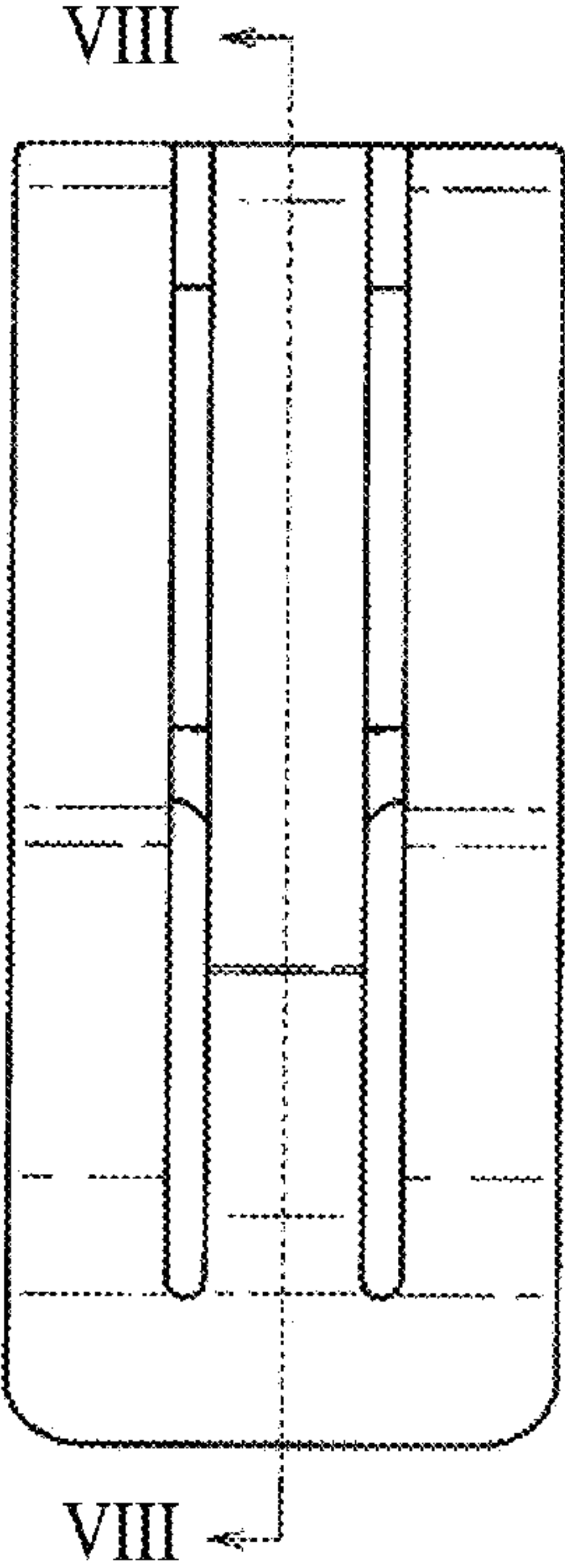


FIG. 4



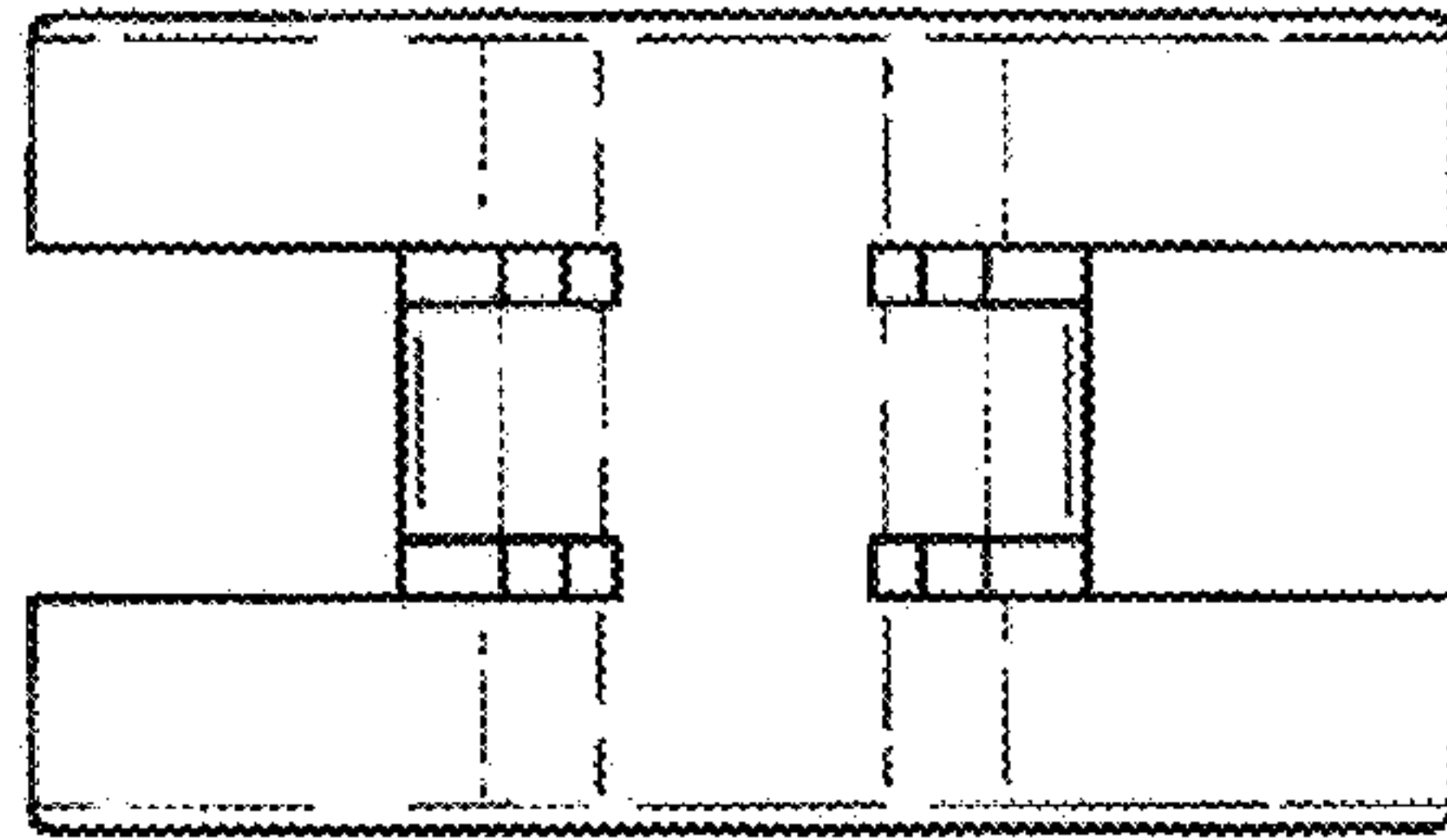


FIG. 5

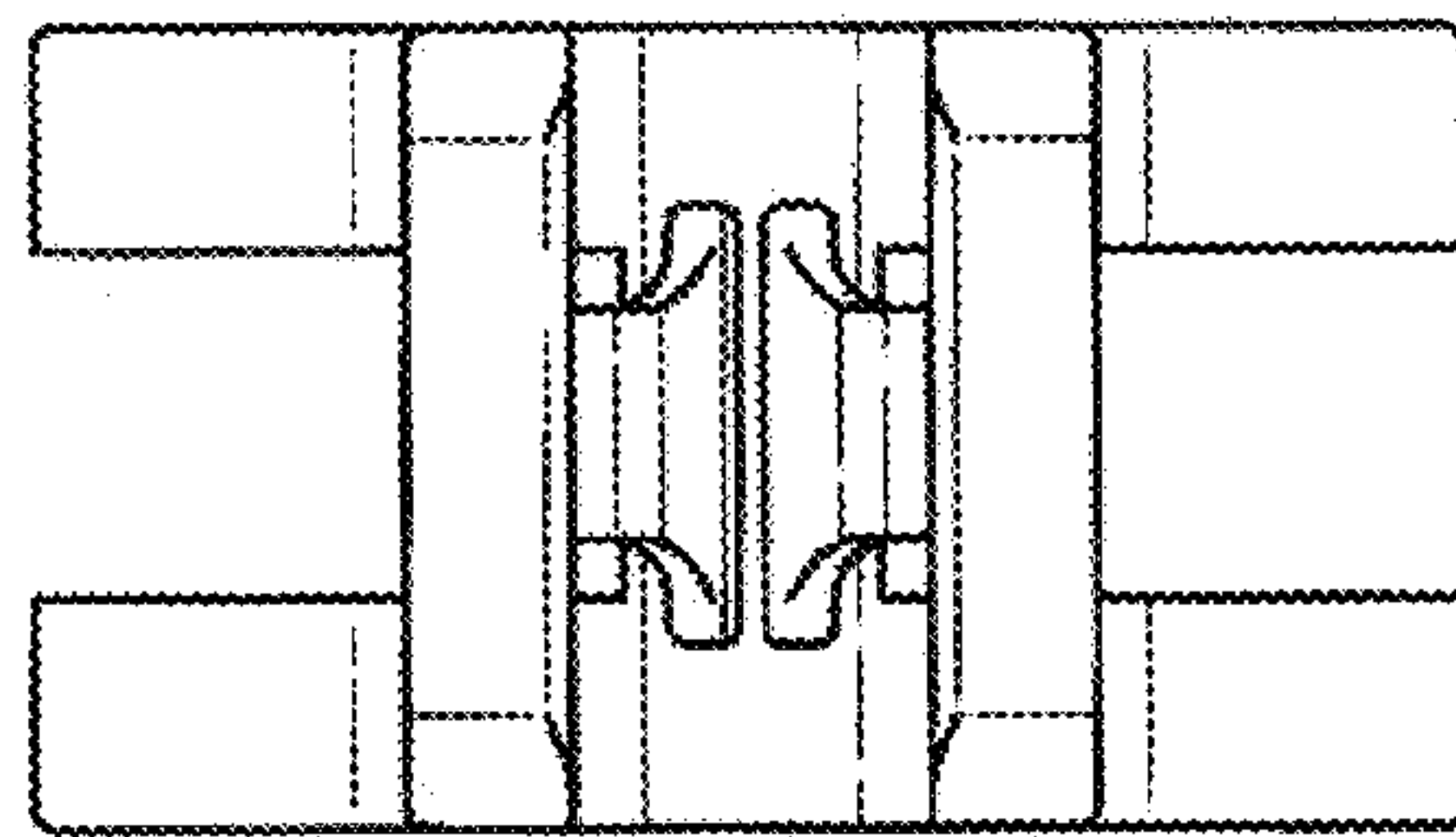


FIG. 6

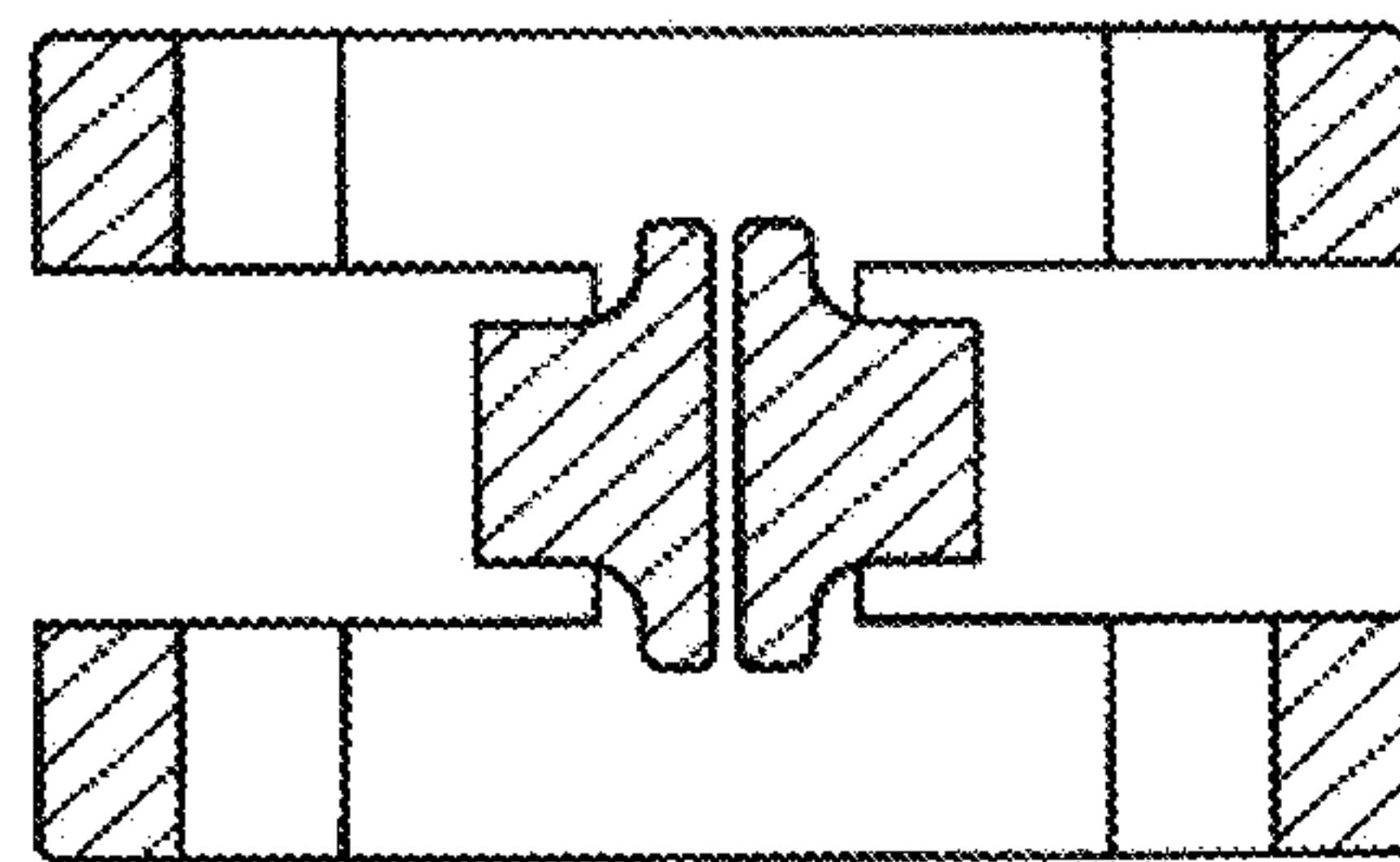


FIG. 7

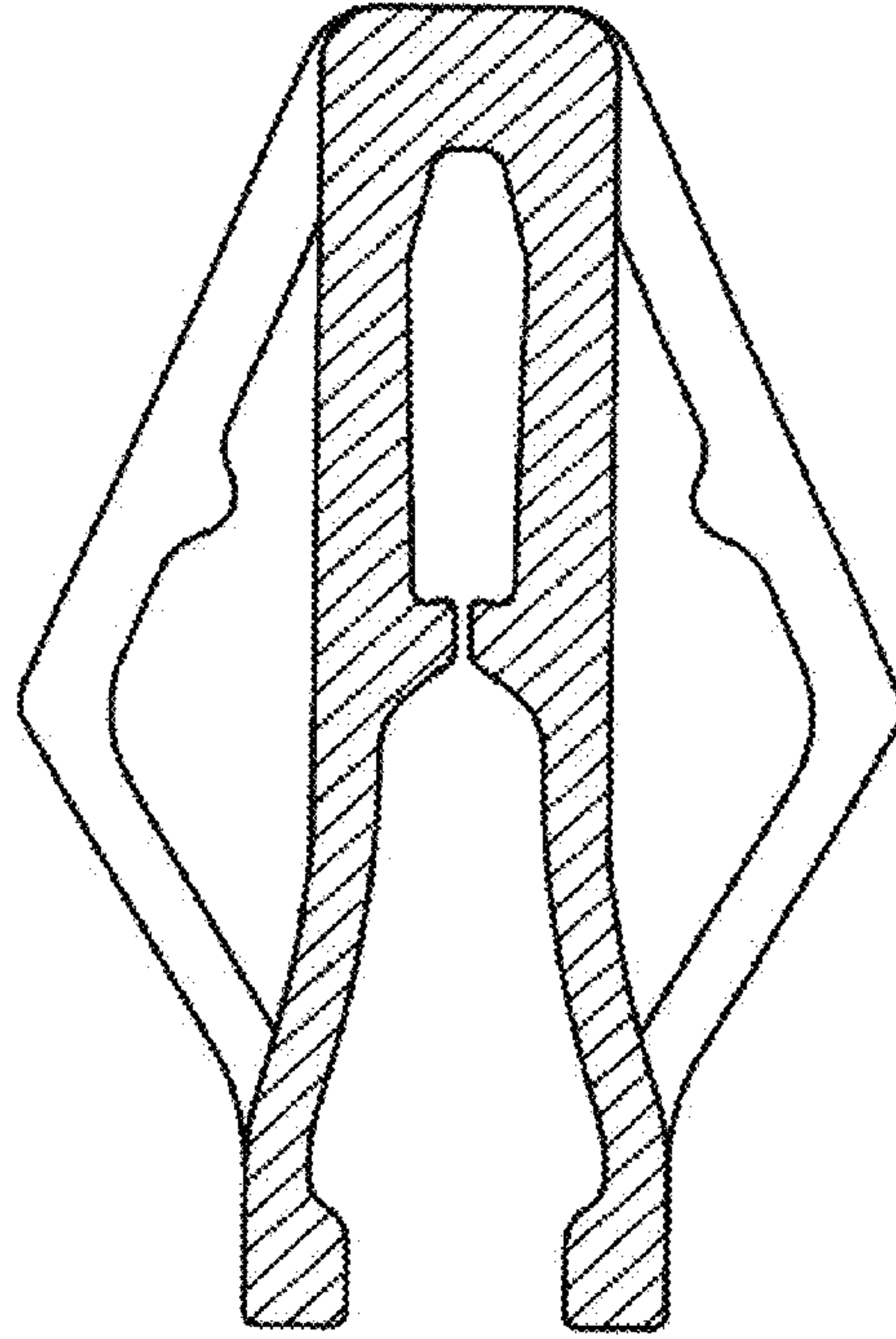


FIG. 8

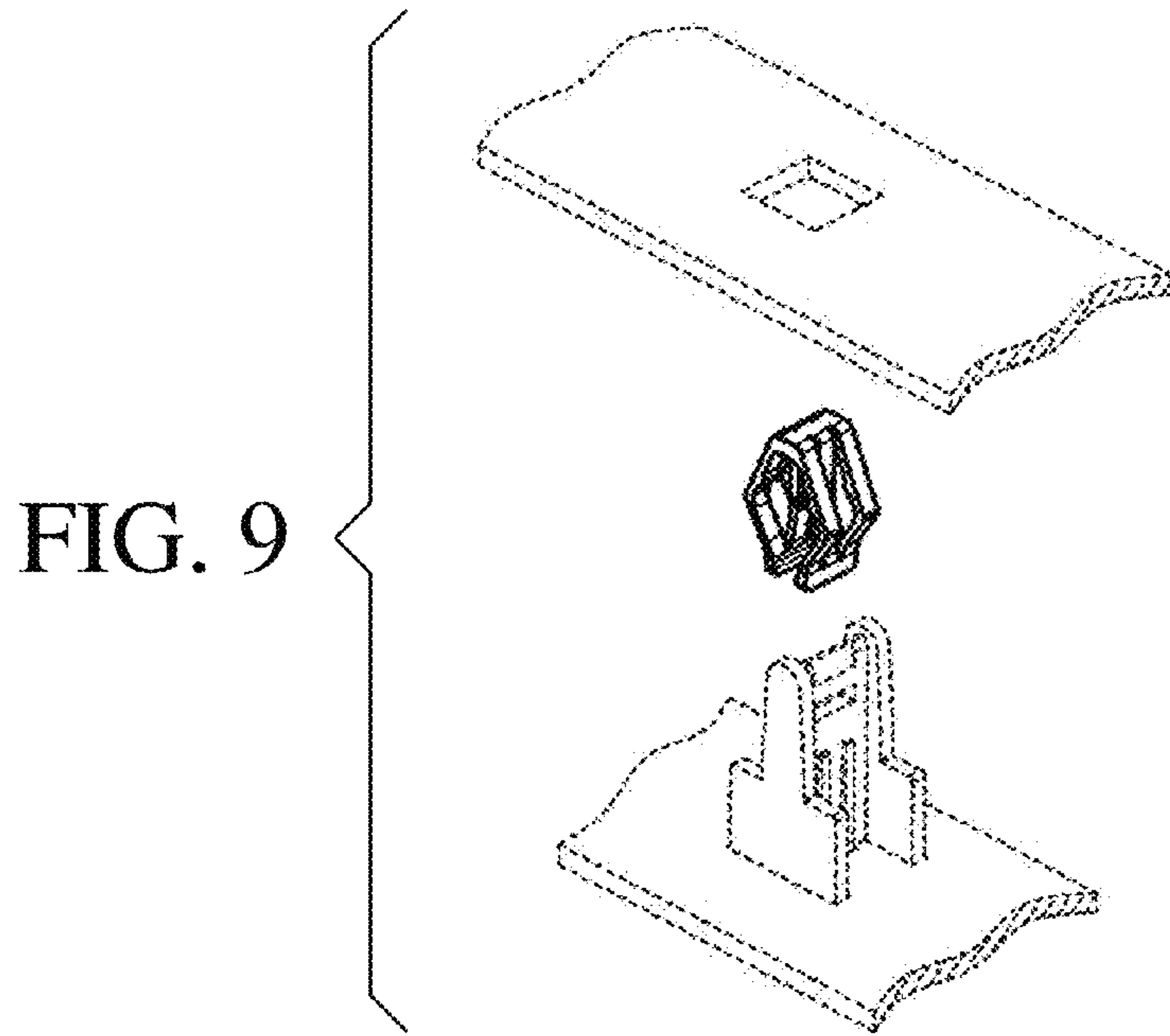


FIG. 9

UNITED STATES PATENT AND TRADEMARK OFFICE
CERTIFICATE OF CORRECTION

PATENT NO. : D709,354 S
APPLICATION NO. : 29/455726
DATED : July 22, 2014
INVENTOR(S) : Komeno et al.

Page 1 of 1

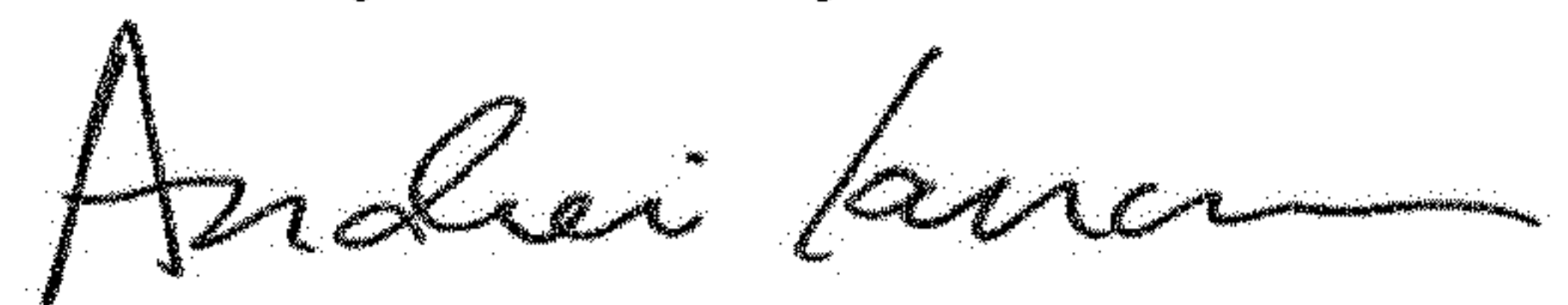
It is certified that error appears in the above-identified patent and that said Letters Patent is hereby corrected as shown below:

On the Title Page

Please insert:

--(73) Assignee: DAIWA KASEI KOGYO KABUSHIKI KAISHA, Aichi-ken (JP)--

Signed and Sealed this
Twenty-fifth Day of June, 2019



Andrei Iancu
Director of the United States Patent and Trademark Office