



US00D709347S

(12) **United States Design Patent**
Sorenson

(10) **Patent No.:** **US D709,347 S**

(45) **Date of Patent:** **** Jul. 22, 2014**

(54) **HANDLE ARRANGEMENT**

(75) Inventor: **Carl S. Sorenson**, New York, NY (US)

(73) Assignee: **Nanz Custom Hardware, Inc.**, New York, NY (US)

(**) Term: **14 Years**

(21) Appl. No.: **29/418,861**

(22) Filed: **Apr. 23, 2012**

(51) **LOC (10) Cl.** **08-06**

(52) **U.S. Cl.**

CPC **A47B 95/02** (2013.01)

USPC **D8/308**; D8/300; D8/313

(58) **Field of Classification Search**

CPC A47B 95/02

USPC D8/300, 302, 306, 307, 308, 314, 313;
16/110.1, 414, 416; 292/336.3, 347;
D25/119; D21/484, 492, 497; 248/215;
D1/122

See application file for complete search history.

(56) **References Cited**

U.S. PATENT DOCUMENTS

D28,863	S	*	6/1898	Baker	D25/119
2,346,276	A	*	4/1944	Reittinger	248/215
D167,151	S	*	7/1952	Koch	D8/314
2,664,812	A	*	1/1954	Molina	249/120
D181,822	S	*	12/1957	Taubman	D8/308
2,821,739	A	*	2/1958	Mohs	16/411
3,436,870	A	*	4/1969	Sellman	451/540
D277,721	S	*	2/1985	Jordan	D6/328
D297,356	S	*	8/1988	Reid	D23/252
D306,251	S	*	2/1990	Kuli	D8/302
D384,570	S	*	10/1997	Edwards	D8/307
D423,903	S	*	5/2000	Keller	D8/314
D457,049	S	*	5/2002	Zoerner et al.	D8/308

D487,326	S	*	3/2004	Stoddart et al.	D1/101
D507,955	S	*	8/2005	Sato	D8/300
D508,391	S	*	8/2005	Sato	D8/300
D513,694	S	*	1/2006	Vitkauskas	D8/300
D524,416	S	*	7/2006	Haug et al.	D23/238
D552,216	S	*	10/2007	Haug et al.	D23/252
D583,212	S	*	12/2008	Grohmann	D8/308
D591,137	S	*	4/2009	Beckley	D8/308
D665,021	S	*	8/2012	Mayer et al.	D19/1

* cited by examiner

Primary Examiner — Paula Greene

(74) *Attorney, Agent, or Firm* — Dorsey & Whitney LLP

(57) **CLAIM**

The ornamental design of the handle arrangement, as shown and described.

DESCRIPTION

FIG. 1 is a right side view of a handle arrangement according to an exemplary embodiment of the present disclosure showing my new design;

FIG. 2 is a left side view of the handle arrangement of FIG. 1;

FIG. 3 is a right perspective view of the handle arrangement of FIG. 1;

FIG. 4 is a left perspective view of the handle arrangement of FIG. 1;

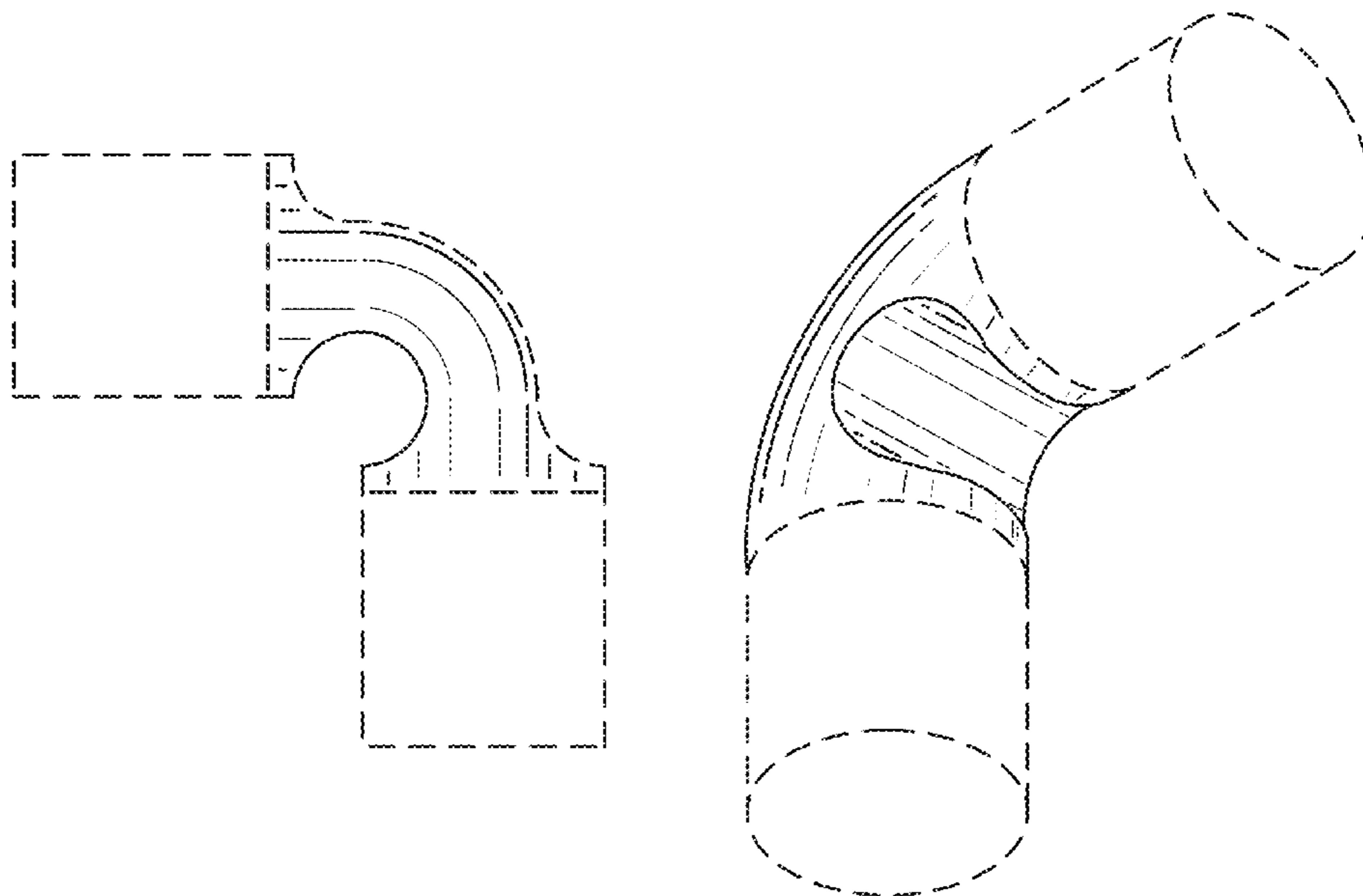
FIG. 5 is a rear view of the handle arrangement of FIG. 1;

FIG. 6 is a front view of the handle arrangement of FIG. 1; and,

FIG. 7 is a back perspective view of the handle arrangement of FIG. 1.

The broken lines are provided for illustrative purposes only, and form no part of the claimed design. In addition, the portions of the handle arrangement that are not shown in the drawing do not form any part of the claimed design.

1 Claim, 3 Drawing Sheets



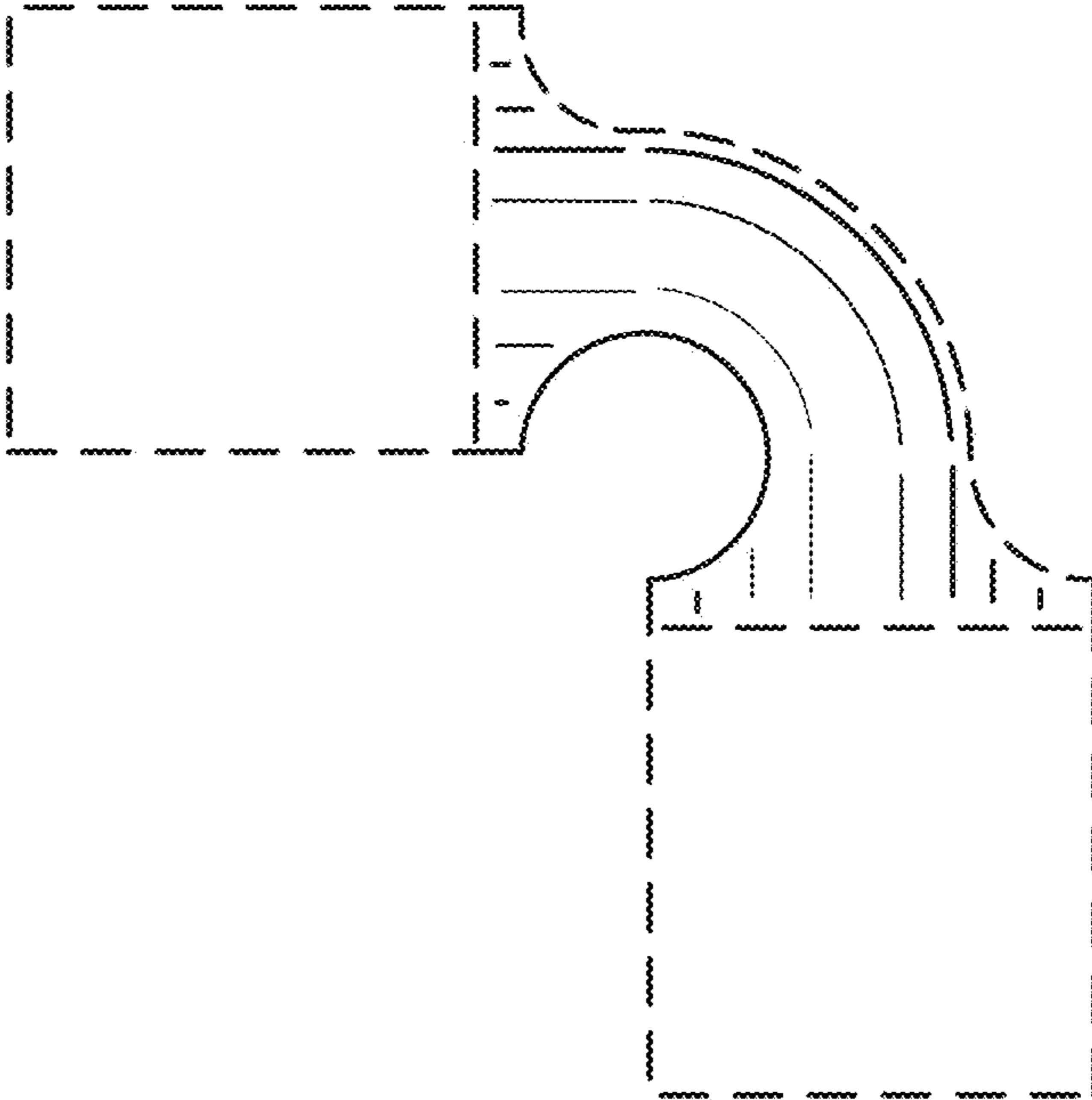


FIG. 1

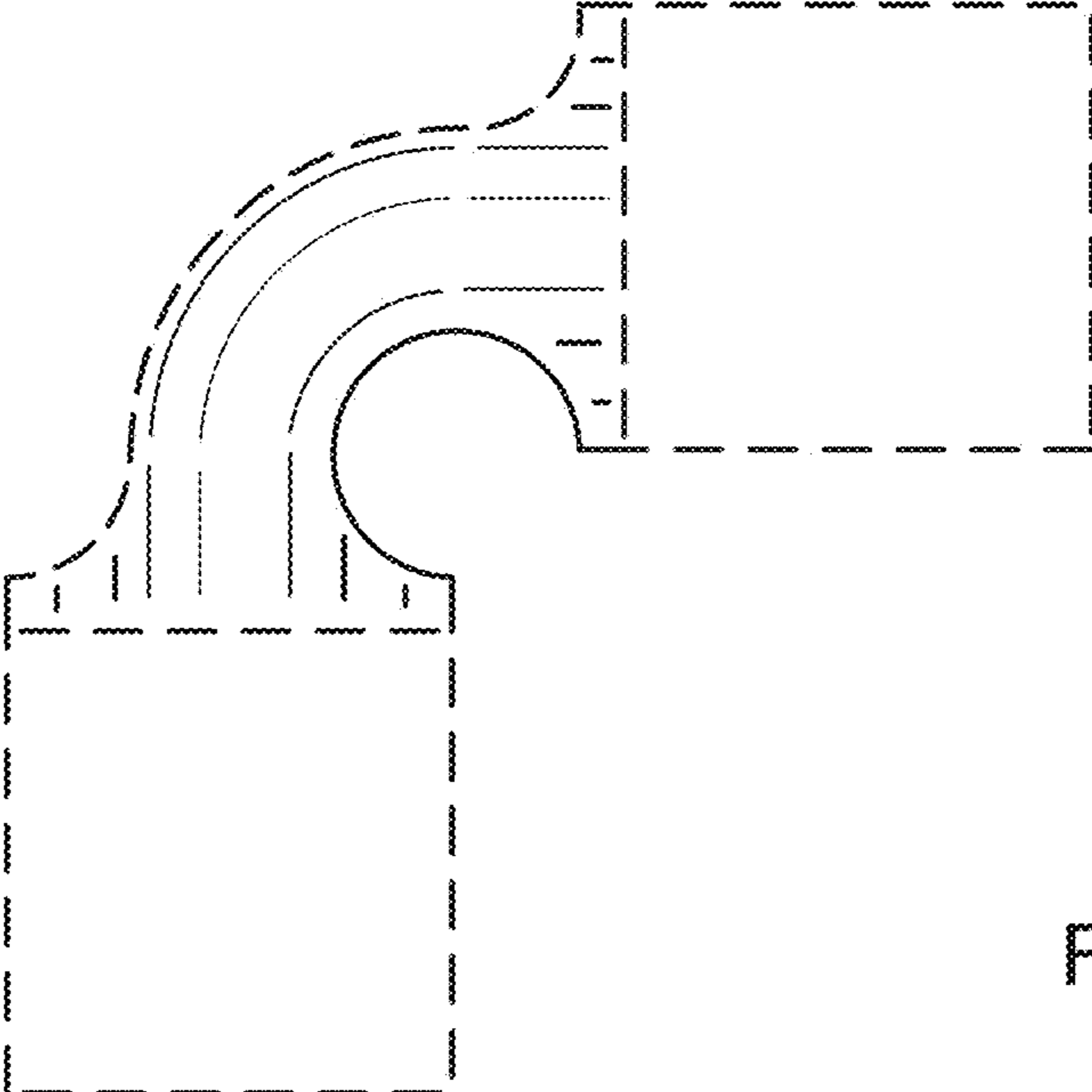


FIG. 2

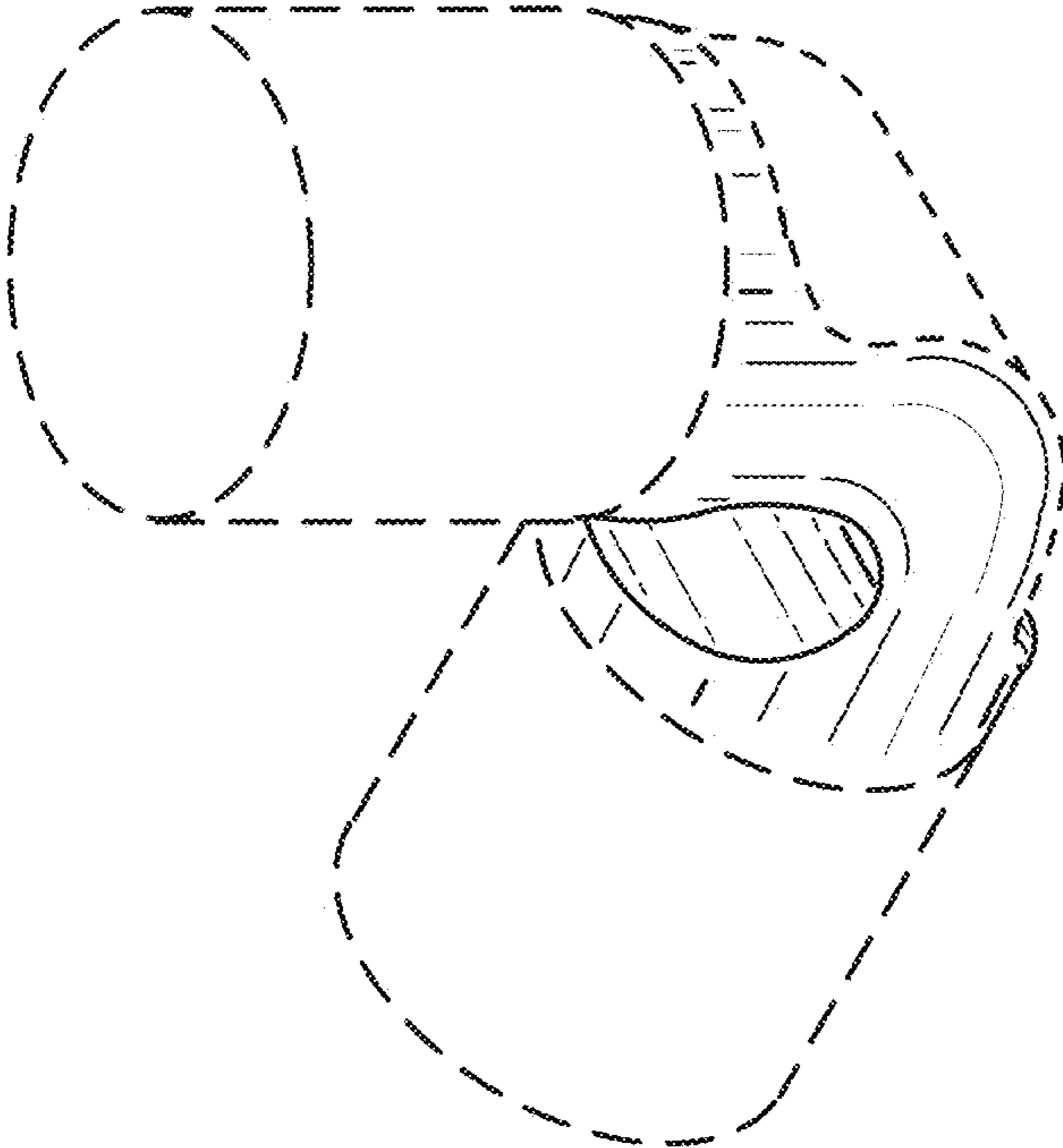


FIG. 3

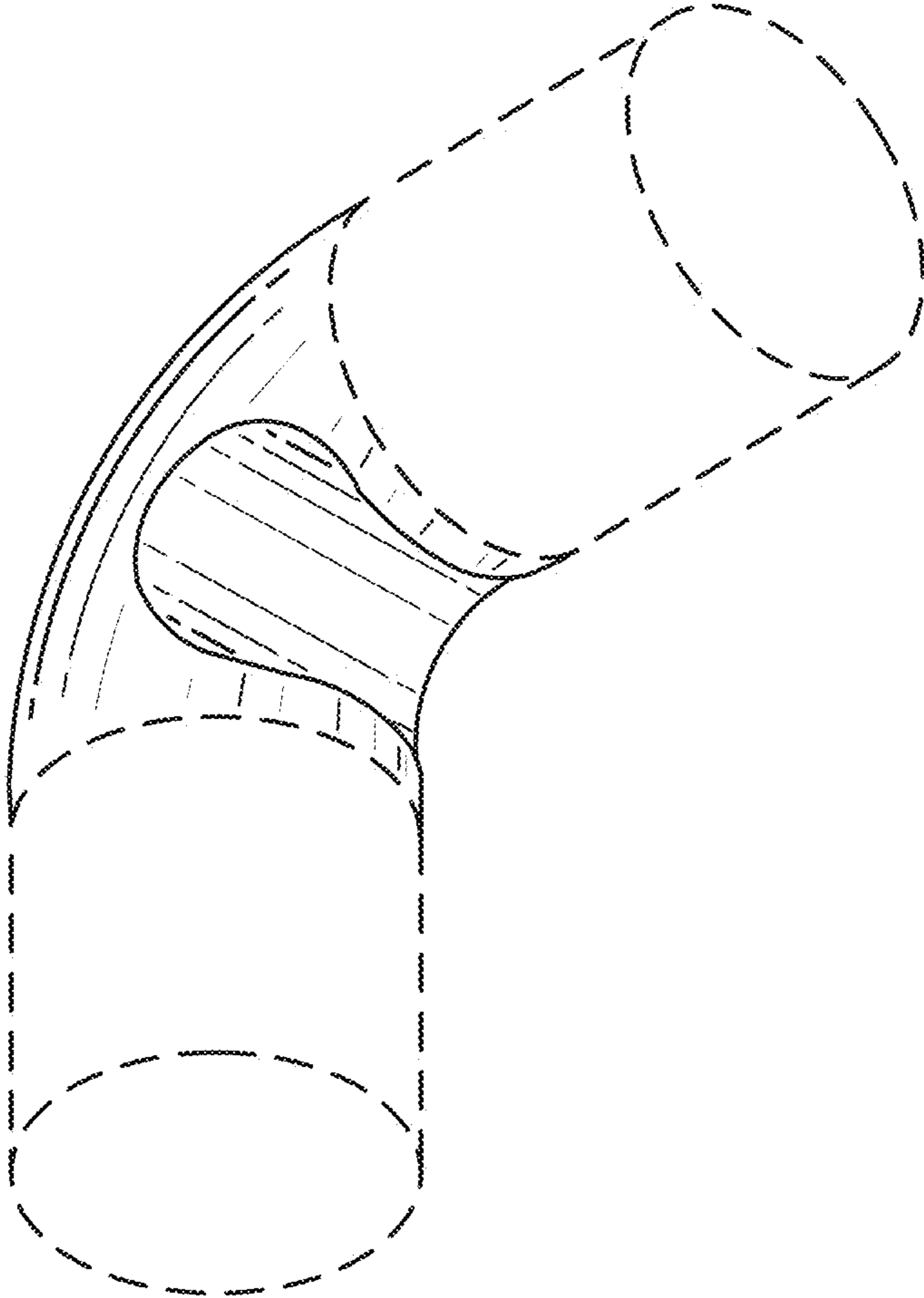


FIG. 4

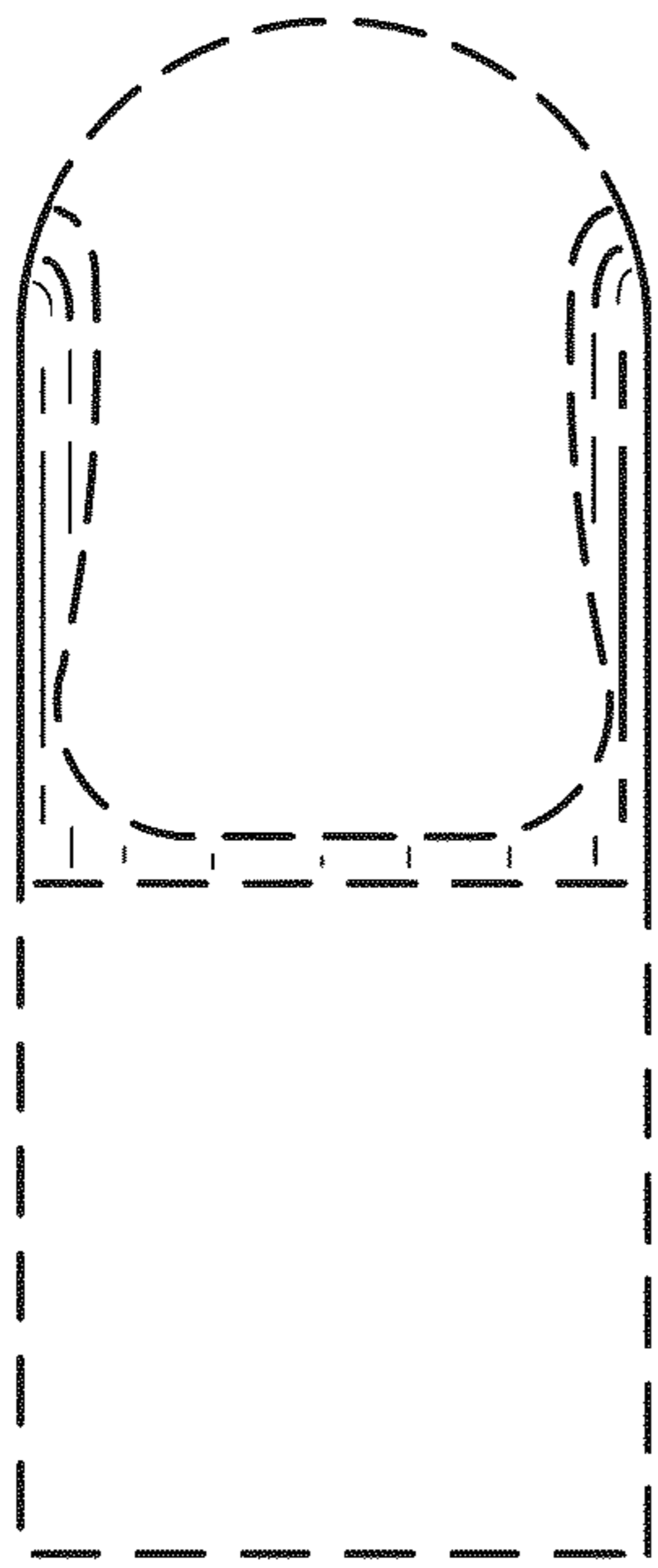


FIG. 5

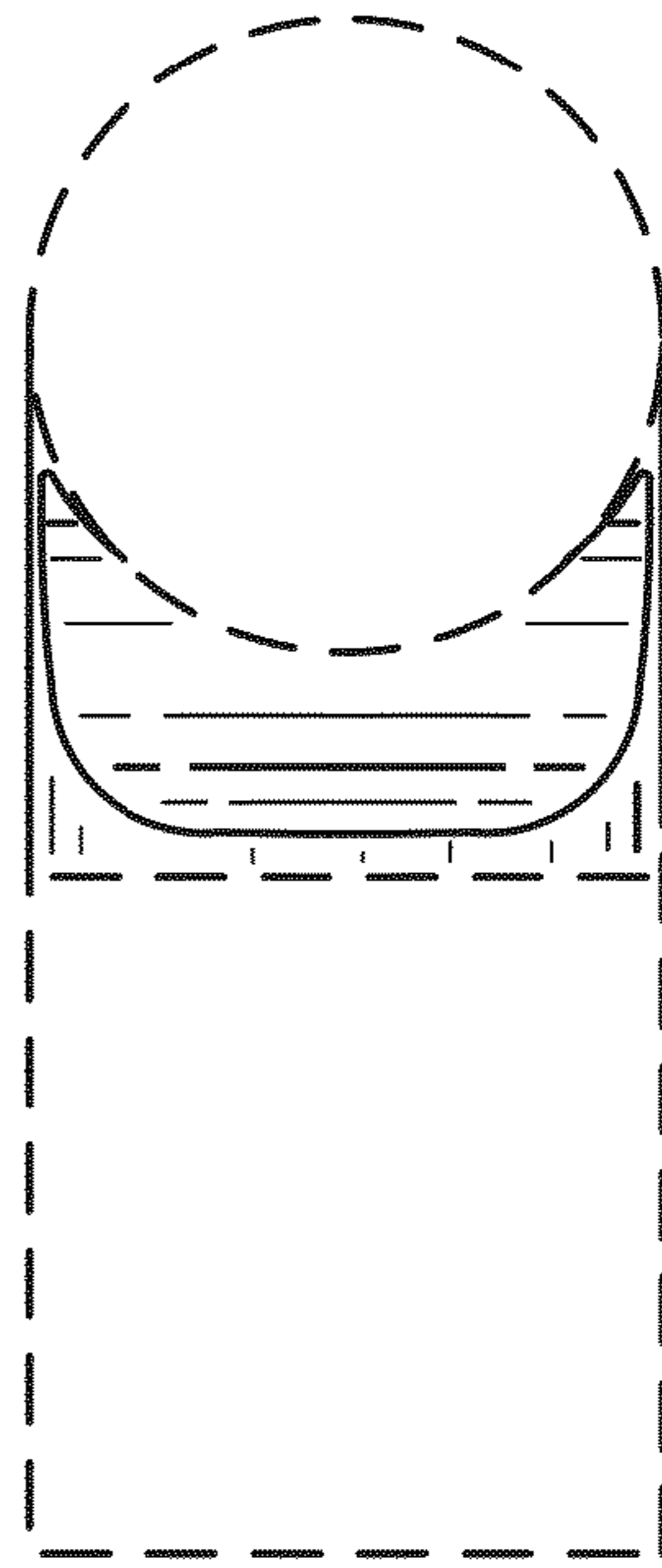


FIG. 6

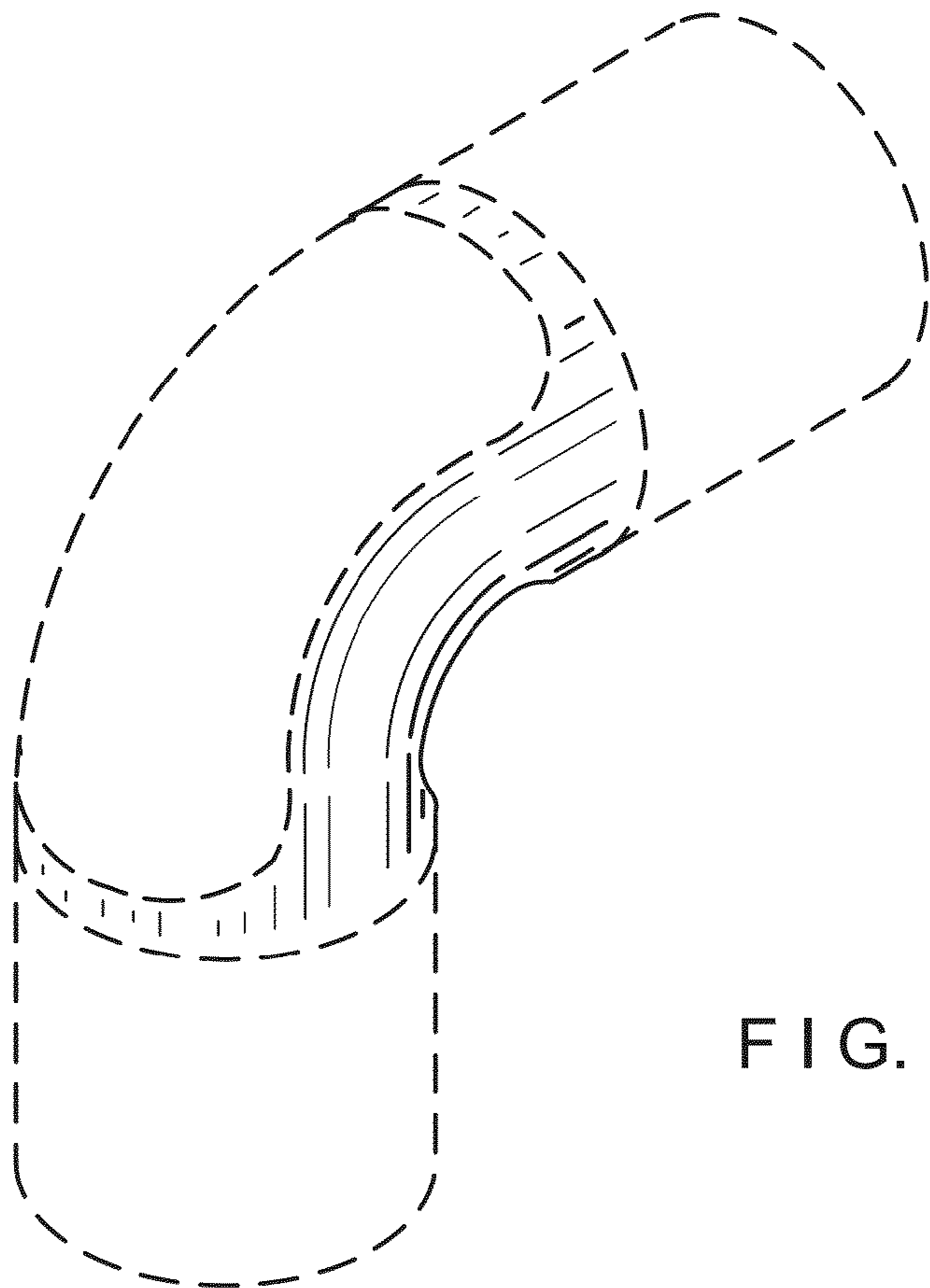


FIG. 7