



US00D709344S

(12) **United States Design Patent**  
**Adelman et al.**

(10) **Patent No.:** **US D709,344 S**

(45) **Date of Patent:** **\*\* Jul. 22, 2014**

(54) **MULTITOOL**

(71) Applicant: **Nite Iza, Inc.**, Boulder, CO (US)

(72) Inventors: **Gregory M. Adelman**, Boulder, CO (US); **Ian M. Core**, Pittsburgh, PA (US)

(\*\*) Term: **14 Years**

(21) Appl. No.: **29/461,942**

(22) Filed: **Jul. 29, 2013**

(51) **LOC (10) Cl.** ..... **08-05**

(52) **U.S. Cl.**  
USPC ..... **D8/105; D3/208**

(58) **Field of Classification Search**  
USPC ..... D8/14, 16, 18, 19, 20, 26, 33, 34,  
D8/38-43, 51, 52, 55, 57, 75, 81-87, 98,  
D8/104-106, 354, 356, 358, 360.1;  
7/158-166; 30/151, 359, 366; D3/24,  
D3/25, 207-208, 210

See application file for complete search history.

(56) **References Cited**

**U.S. PATENT DOCUMENTS**

869,706 A \* 10/1907 Hamilton ..... 7/160  
888,848 A \* 5/1908 Rapson ..... 7/160  
D151,280 S \* 10/1948 Merritt ..... D8/400

D197,915 S \* 4/1964 Ayars ..... D8/26  
D235,091 S \* 5/1975 Daenen ..... D8/104  
D334,702 S \* 4/1993 Godsey ..... D8/104  
6,058,539 A \* 5/2000 Mitford-Taylor ..... 7/164  
D431,105 S \* 9/2000 Ling ..... D3/228  
D477,523 S \* 7/2003 Malvasio ..... D8/105  
D513,579 S \* 1/2006 Barber et al. .... D8/105  
D515,903 S \* 2/2006 Kelleghan ..... D8/105  
D596,011 S \* 7/2009 Almayda ..... D8/105

\* cited by examiner

*Primary Examiner* — Susan Bennett Hattan

*Assistant Examiner* — Janice Hallmark

(74) *Attorney, Agent, or Firm* — Squire Patton Boggs (US) LLP

(57) **CLAIM**

The ornamental design for a multitool, as shown and described.

**DESCRIPTION**

FIG. 1 is a front perspective view of a multitool;  
FIG. 2 is a rear perspective view of the multitool of FIG. 1;  
FIG. 3 is a front view of the multitool of FIG. 1;  
FIG. 4 is a rear view of the multitool of FIG. 1;  
FIG. 5 is a left view of the multitool of FIG. 1;  
FIG. 6 is a right view of the multitool of FIG. 1;  
FIG. 7 is a top view of the multitool of FIG. 1; and,  
FIG. 8 is a bottom view of the multitool of FIG. 1.

**1 Claim, 4 Drawing Sheets**

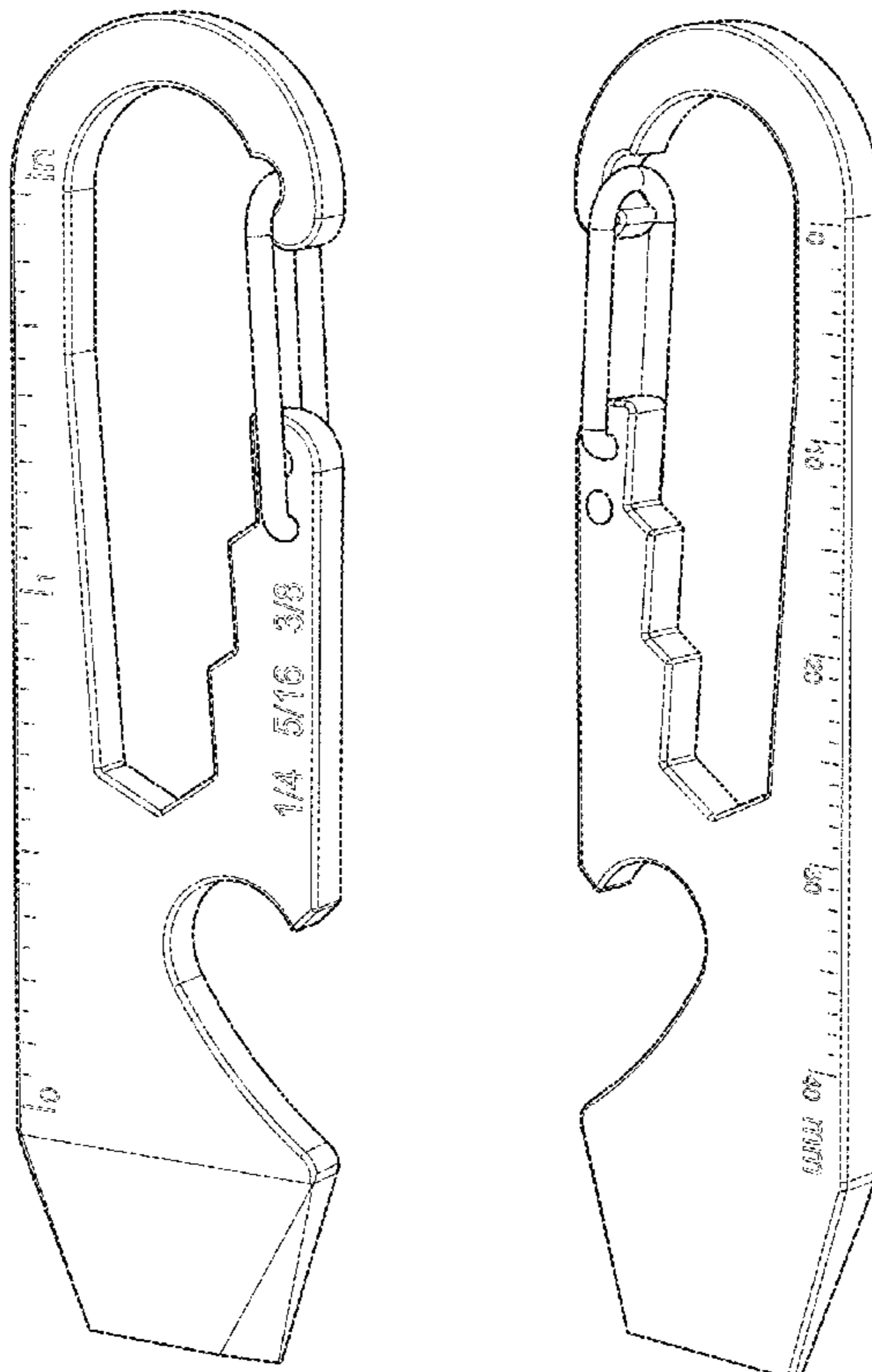


FIG. 1

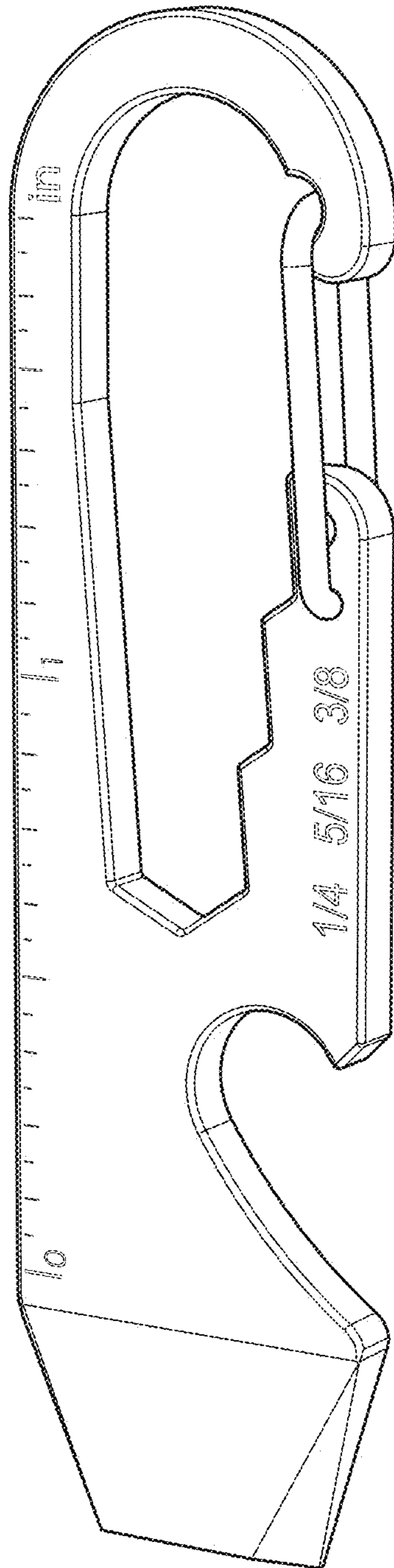


FIG. 2

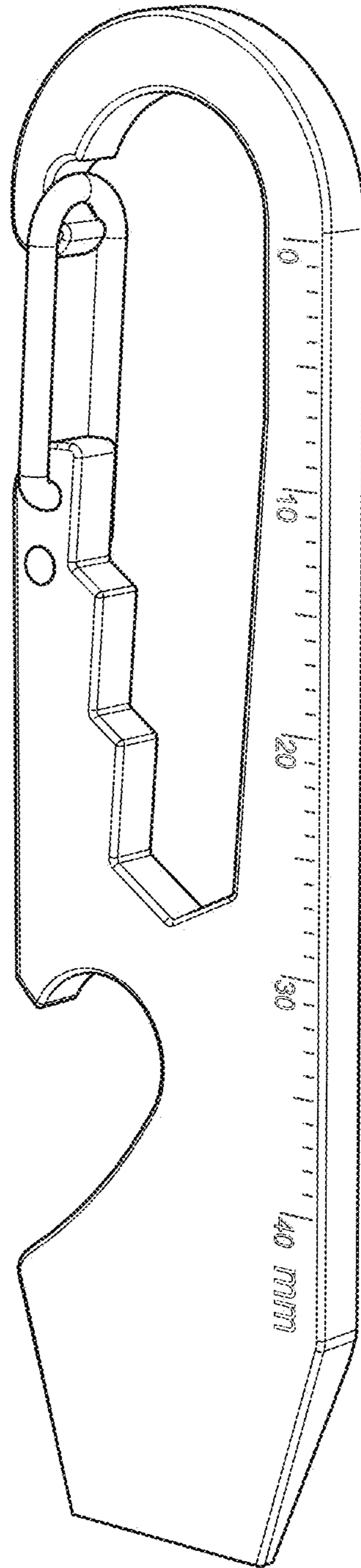


FIG. 3

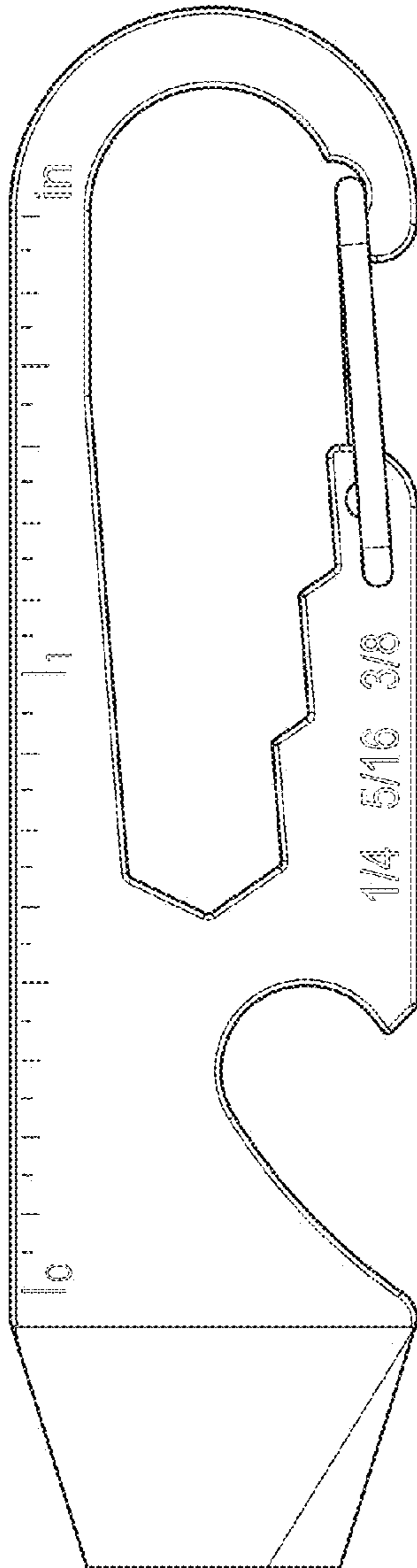
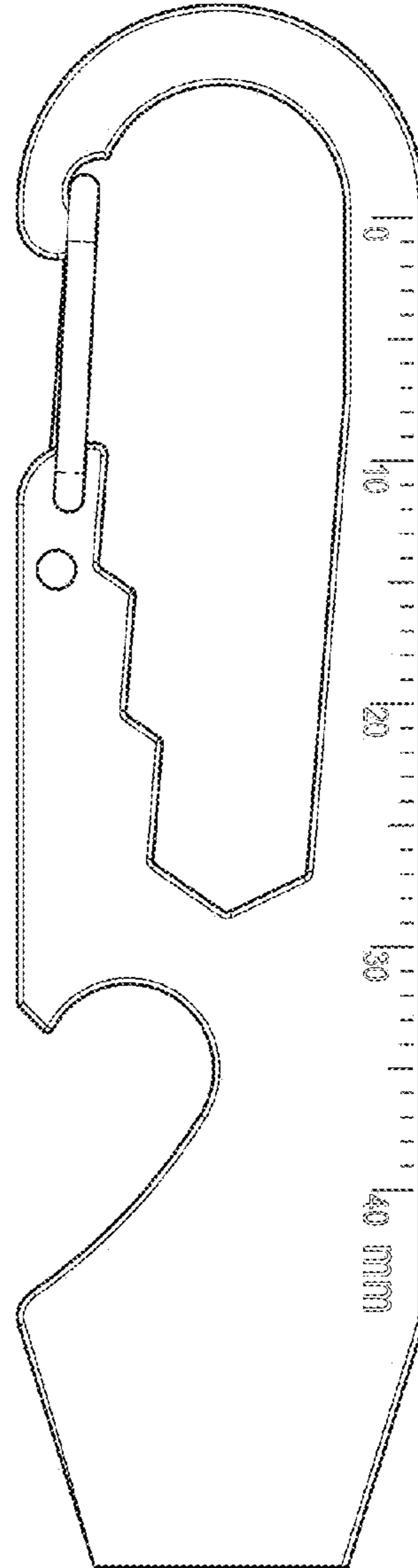
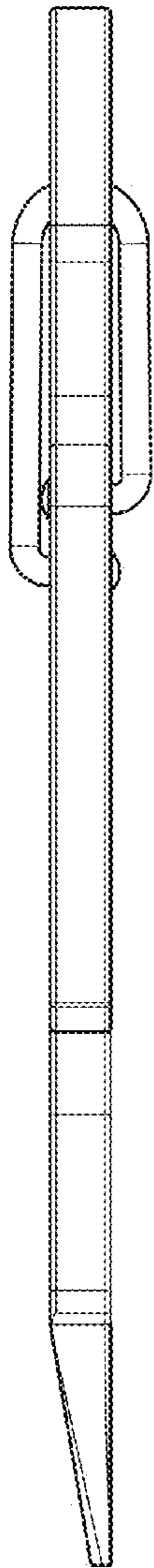


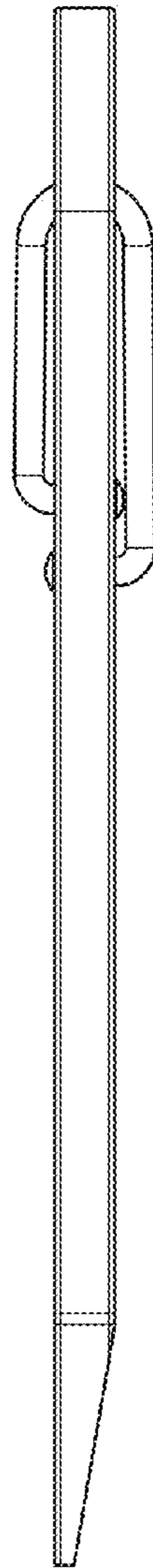
FIG. 4



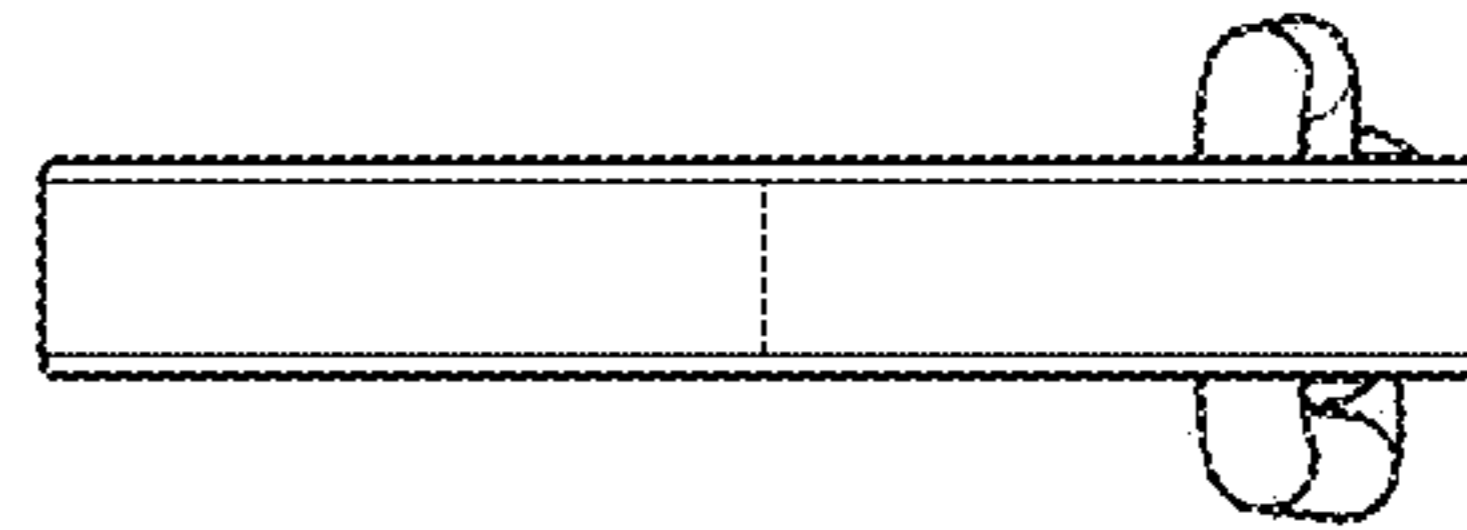
**FIG. 5**



**FIG. 6**



**FIG. 7**



**FIG. 8**

