



US00D709343S

(12) **United States Design Patent**  
**Huang**

(10) **Patent No.:** **US D709,343 S**

(45) **Date of Patent:** **\*\* Jul. 22, 2014**

(54) **TOOL SLEEVE**

(71) Applicant: **Shi-Yi Huang**, Changhua (TW)

(72) Inventor: **Shi-Yi Huang**, Changhua (TW)

(\*\*) Term: **14 Years**

(21) Appl. No.: **29/464,256**

(22) Filed: **Aug. 14, 2013**

(51) **LOC (10) Cl.** ..... **08-03**

(52) **U.S. Cl.**  
USPC ..... **D8/70; D8/29**

(58) **Field of Classification Search**  
USPC ..... D8/21–29, 70, 71, 85, 86; D15/138,  
D15/139, 144.1; 81/124.2, 176.15, 176.2,  
81/177.1, 177.2, 437, 60, 110.1, 119,  
81/121.1, 124.3, 124.6, 125, 165–170,  
81/176.1, 177.85, 180.1, 185.02, 186;  
279/62, 143, 145, 902; 299/87.1, 106,  
299/107, 109; 408/143, 144, 153, 223;  
D19/198, 916; D23/259–269;  
285/256–331; 16/110.1; 219/75, 227,  
219/229, 121.16, 121.18; 220/228, 260  
See application file for complete search history.

(56) **References Cited**

**U.S. PATENT DOCUMENTS**

3,468,562	A *	9/1969	Chow et al.	285/81
D314,814	S *	2/1991	Lubeck	D23/262
D330,318	S *	10/1992	Snider	D8/70
5,515,754	A *	5/1996	Elkins	81/177.9
D398,823	S *	9/1998	Hsieh	D8/29
D398,935	S *	9/1998	Chevalier	D19/58
6,345,560	B1 *	2/2002	Strauch et al.	81/477
6,779,212	B2 *	8/2004	Anderson et al.	7/128
D497,300	S *	10/2004	Chen	D8/85
D506,908	S *	7/2005	Hsien	D8/29
D517,667	S *	3/2006	Sener et al.	D23/262
D526,172	S *	8/2006	Lin	D8/29
D570,169	S *	6/2008	Lin	D8/29
D636,240	S *	4/2011	Laurie	D8/29
D637,051	S *	5/2011	Li et al.	D8/29

8,176,817	B2 *	5/2012	Liu	81/177.75
D675,496	S *	2/2013	Chang	D8/29
D698,637	S *	2/2014	Su	D8/397
2007/0107564	A1 *	5/2007	Chang	81/177.75
2007/0234856	A1 *	10/2007	Liu	81/438

**OTHER PUBLICATIONS**

“Toolking Taiwan imports Quartet, one-second (12.5MM) E10-E24 flowers-E-type Sockets.” Cart100., Jun. 24, 2013 [online], [retrieved on Mar. 3, 2014]. Retrieved from the Internet <URL: [http://www.cart100.com/Product/12714502417/TOOLKING\\_Taiwan\\_imports\\_Quartet%2C\\_one-sec/](http://www.cart100.com/Product/12714502417/TOOLKING_Taiwan_imports_Quartet%2C_one-sec/)>.\*

“Selecting the Proper Socket for Your Power Tool.” Mountz: The torque tool specialists., Aug. 23, 2010 [online], [retrieved on Mar. 3, 2014]. Retrieved from the Internet <URL: <http://www.mountztorque.com/learning-center/guide/selecting-proper-socket-your-power-tool/>>.\*

\* cited by examiner

*Primary Examiner* — Philip S Hyder

*Assistant Examiner* — Darlington Ly

(74) *Attorney, Agent, or Firm* — Che-Yang Chen; Law Office of Michael Chen

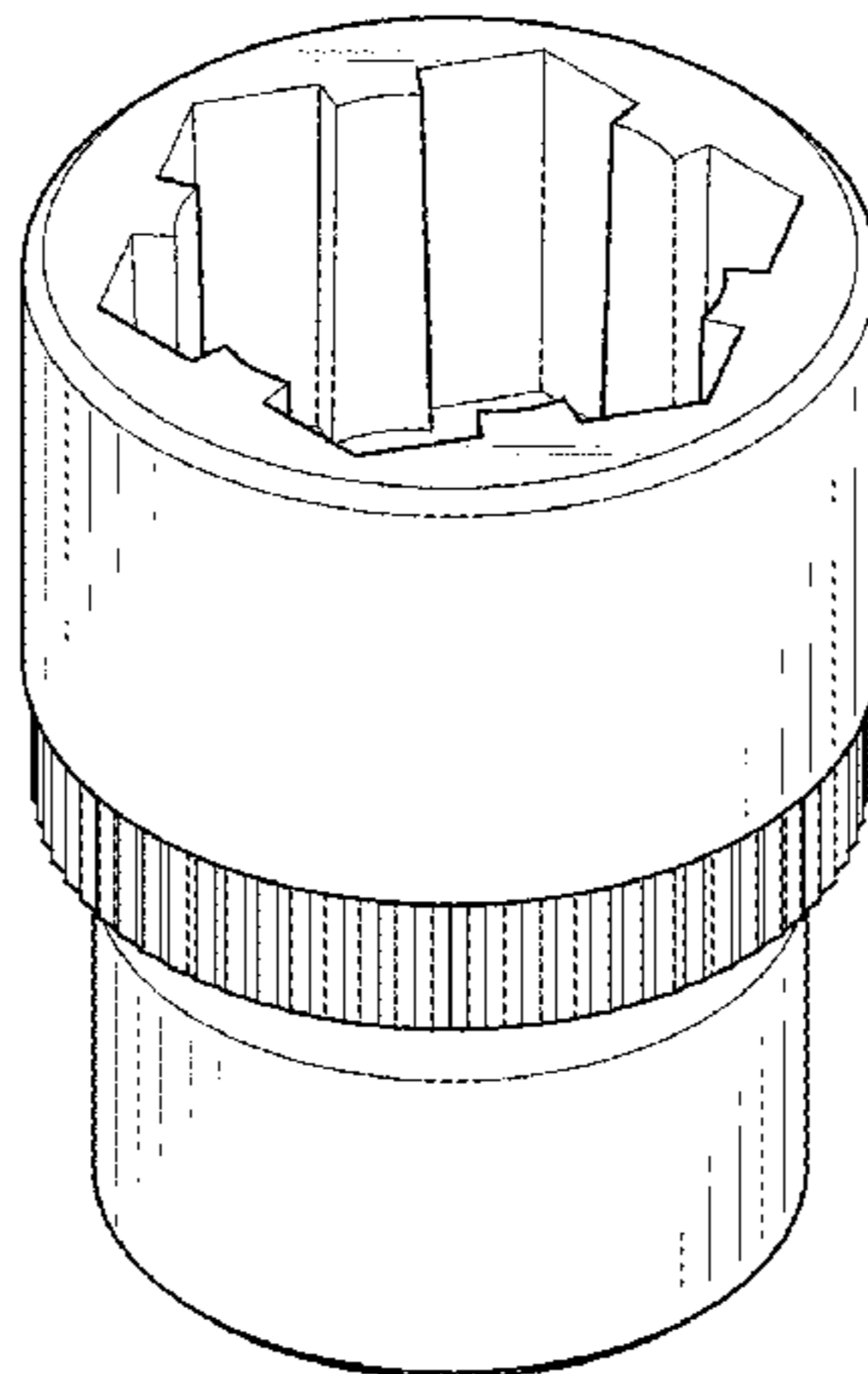
(57) **CLAIM**

The ornamental design for a tool sleeve, as shown and described.

**DESCRIPTION**

FIG. 1 is a perspective view of a tool sleeve showing my new design;  
FIG. 2 is a front elevational view thereof;  
FIG. 3 is a rear elevational view thereof;  
FIG. 4 is a left side elevational view thereof;  
FIG. 5 is a right side elevational view thereof;  
FIG. 6 is a top plan view thereof;  
FIG. 7 is a bottom plan view thereof; and,  
FIG. 8 is a cross-sectional view thereof, wherein the plane at which the section is taken is reference as 8-8 in FIG. 6.  
The broken lines shown in the drawings illustrate portions of the tool sleeve that forms no part of claimed design.

**1 Claim, 5 Drawing Sheets**



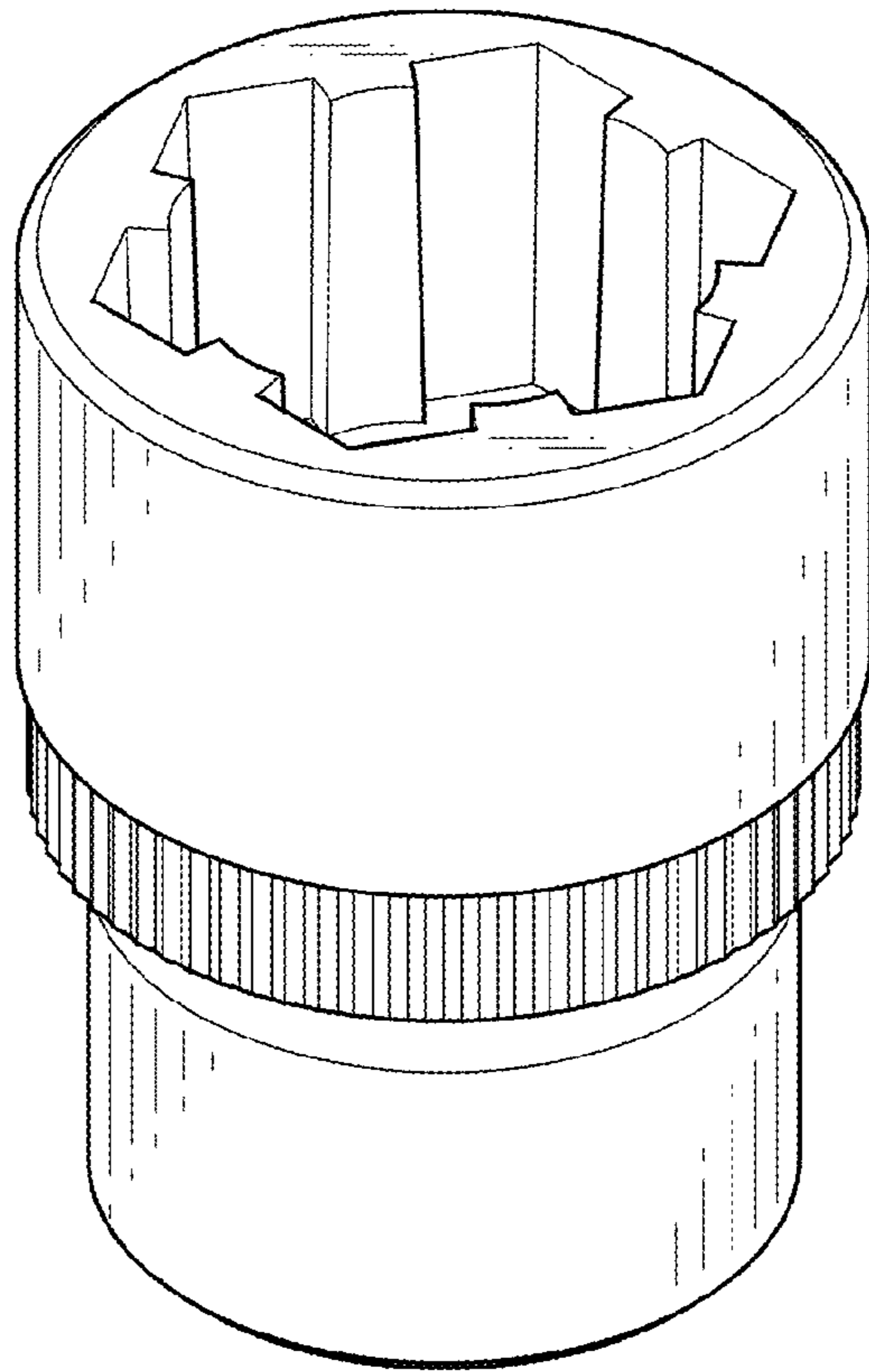


FIG. 1

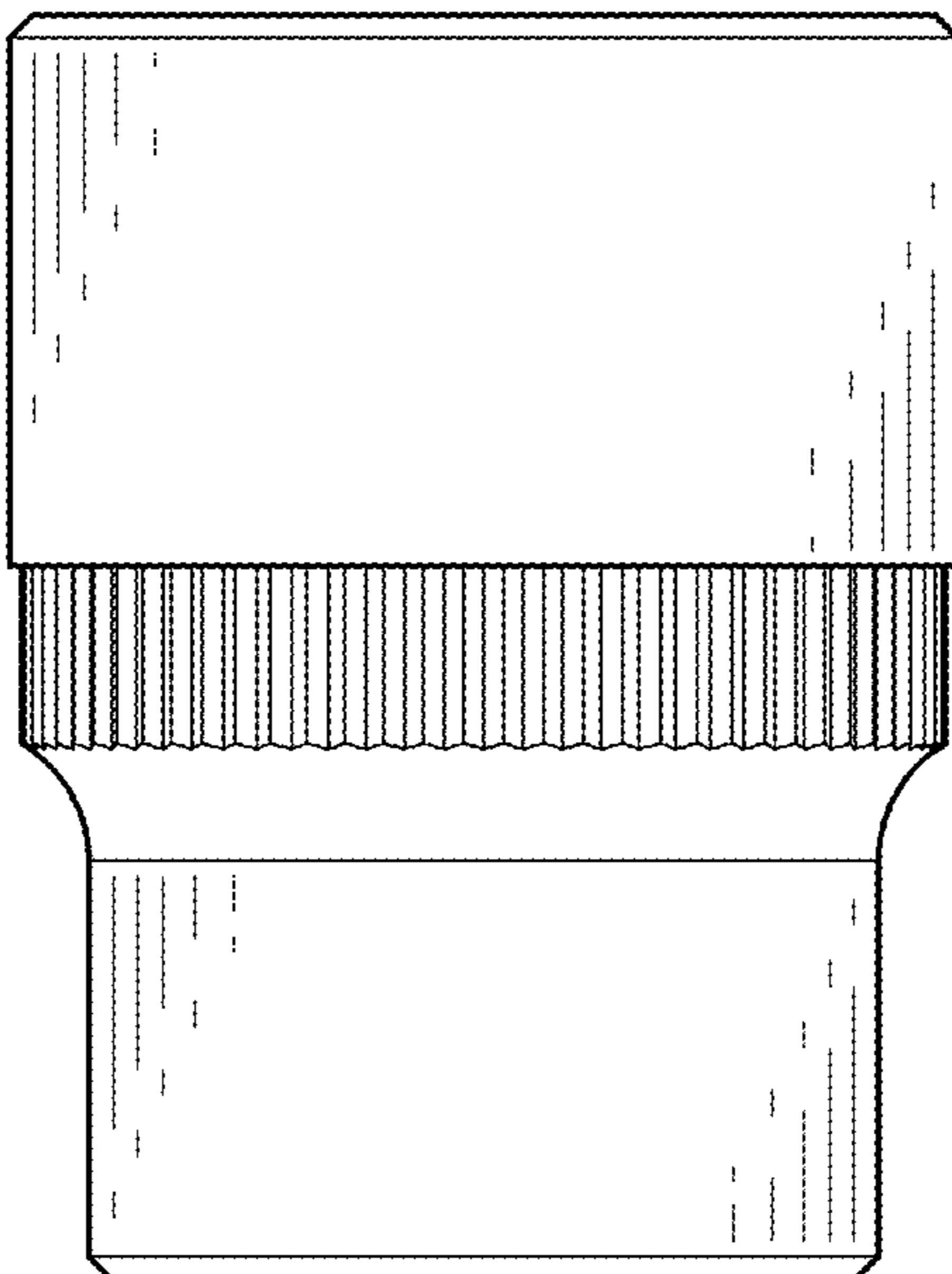


FIG. 2

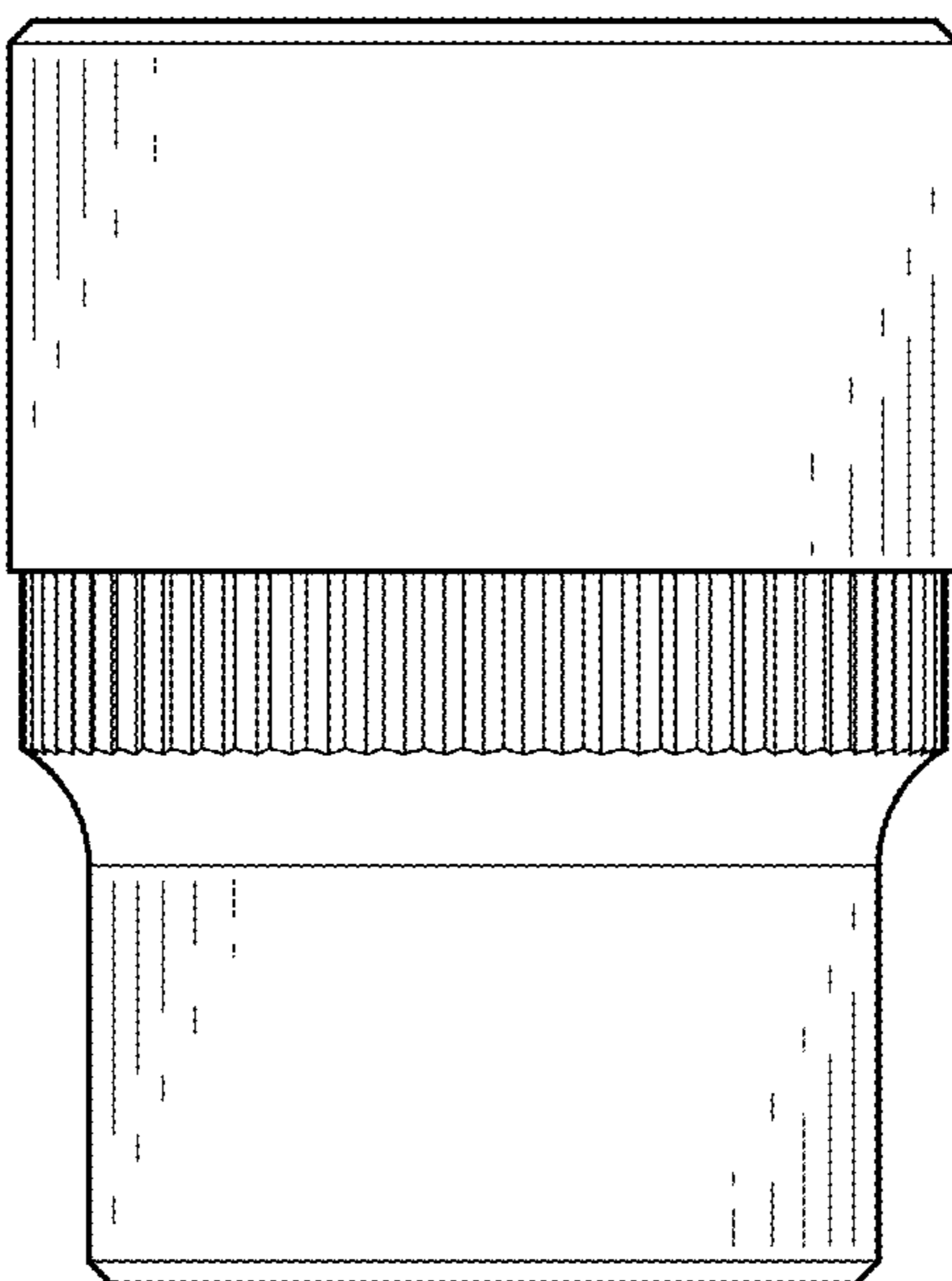


FIG. 3

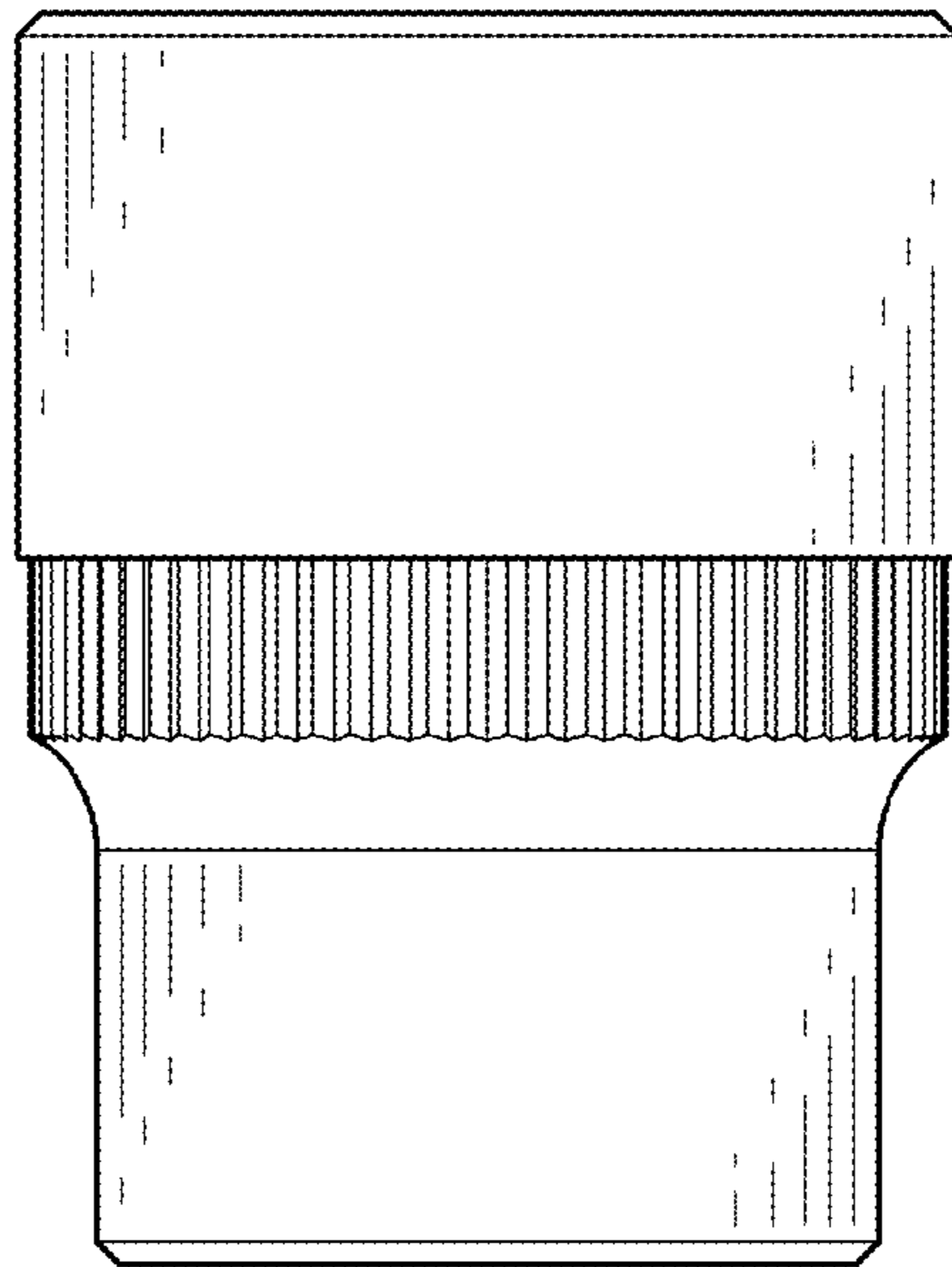


FIG. 4

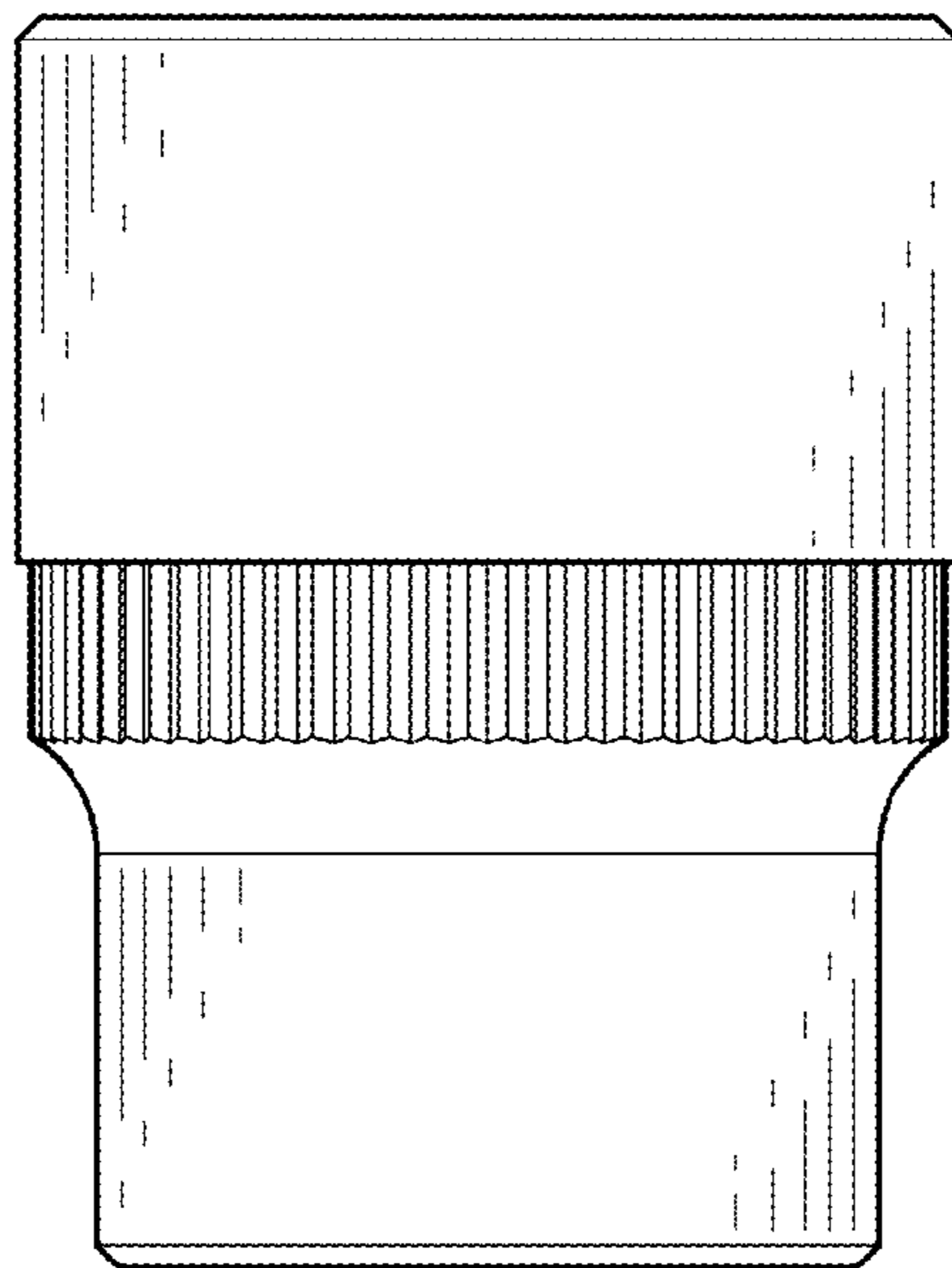


FIG. 5

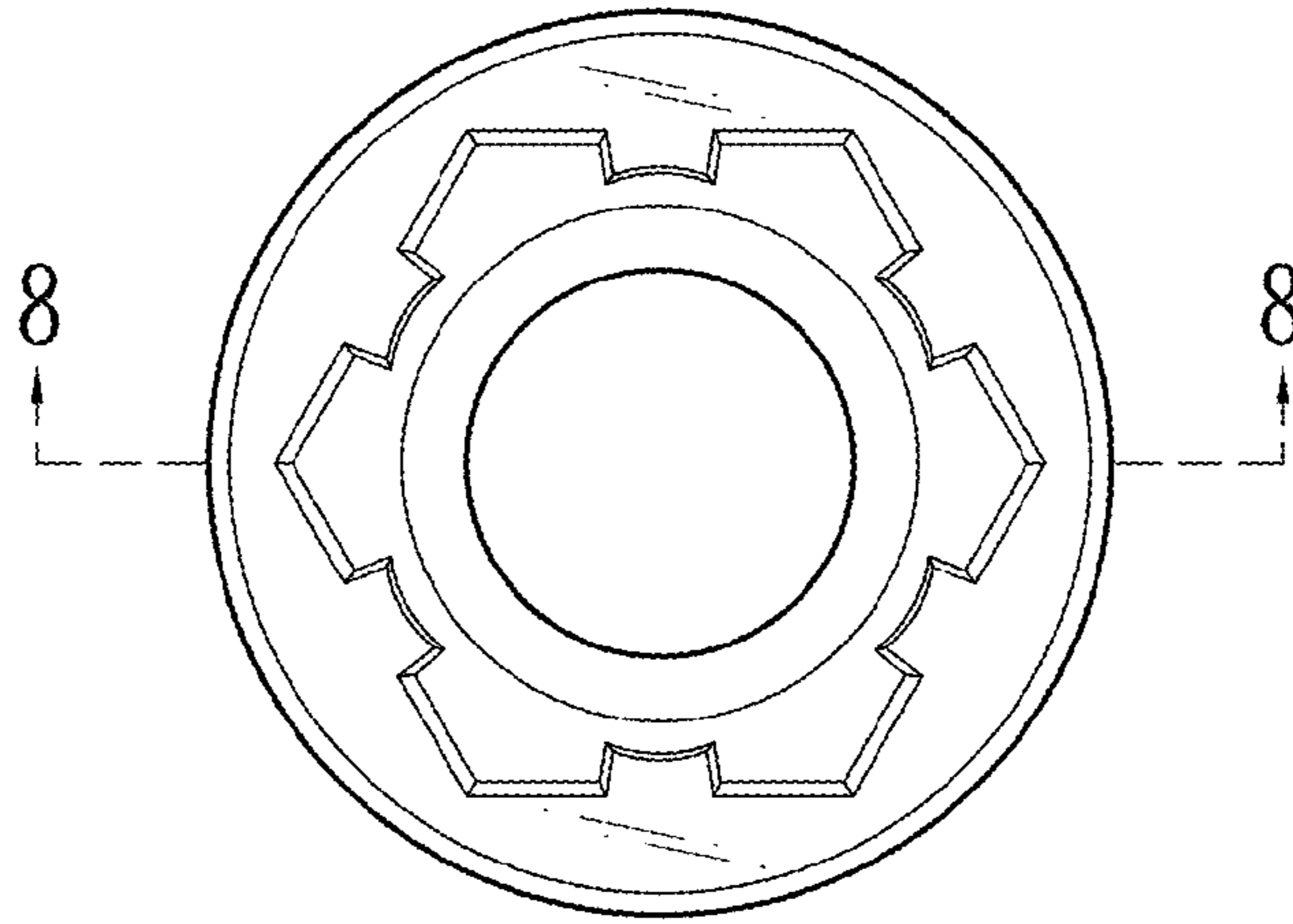


FIG. 6

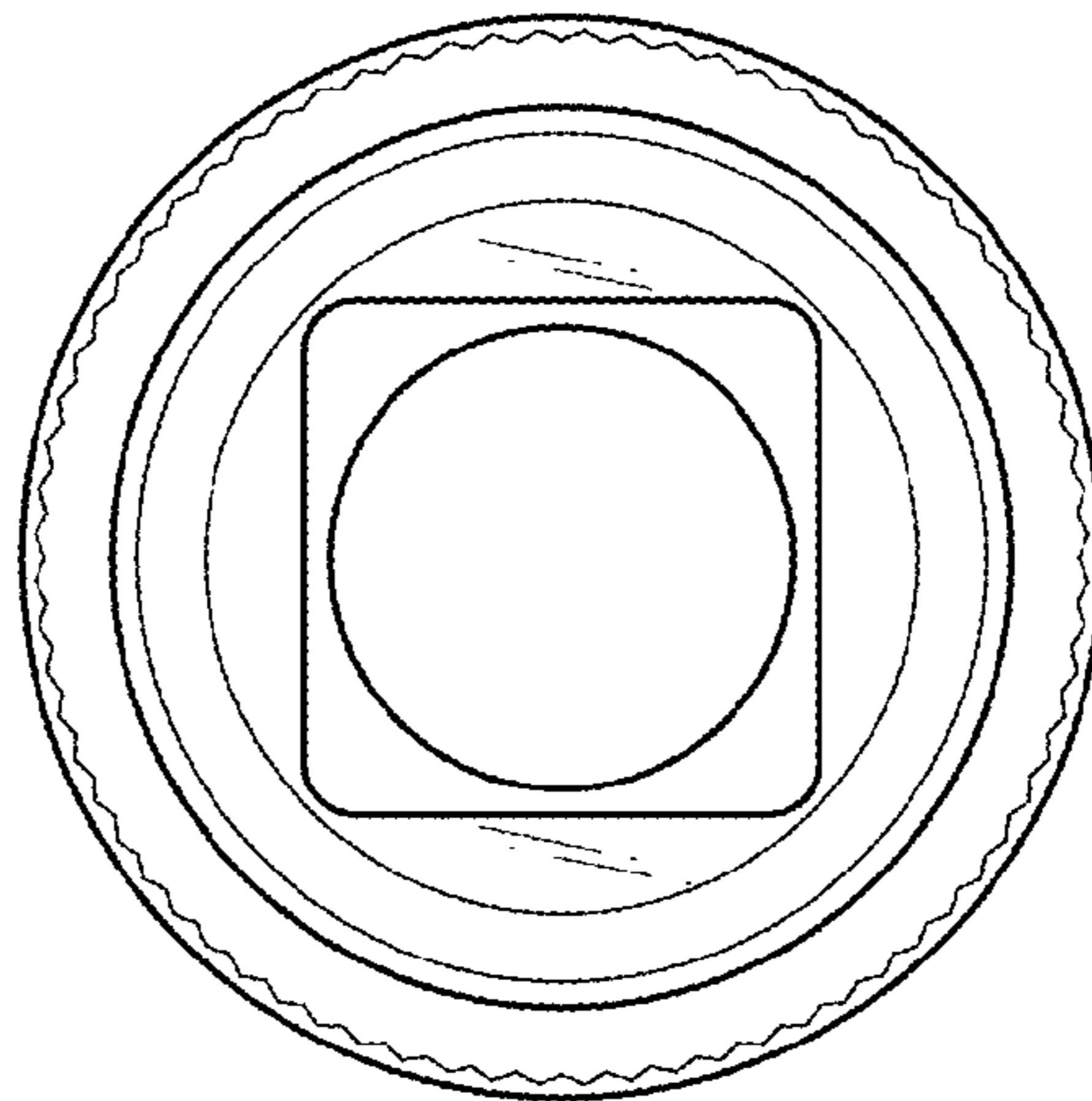


FIG. 7

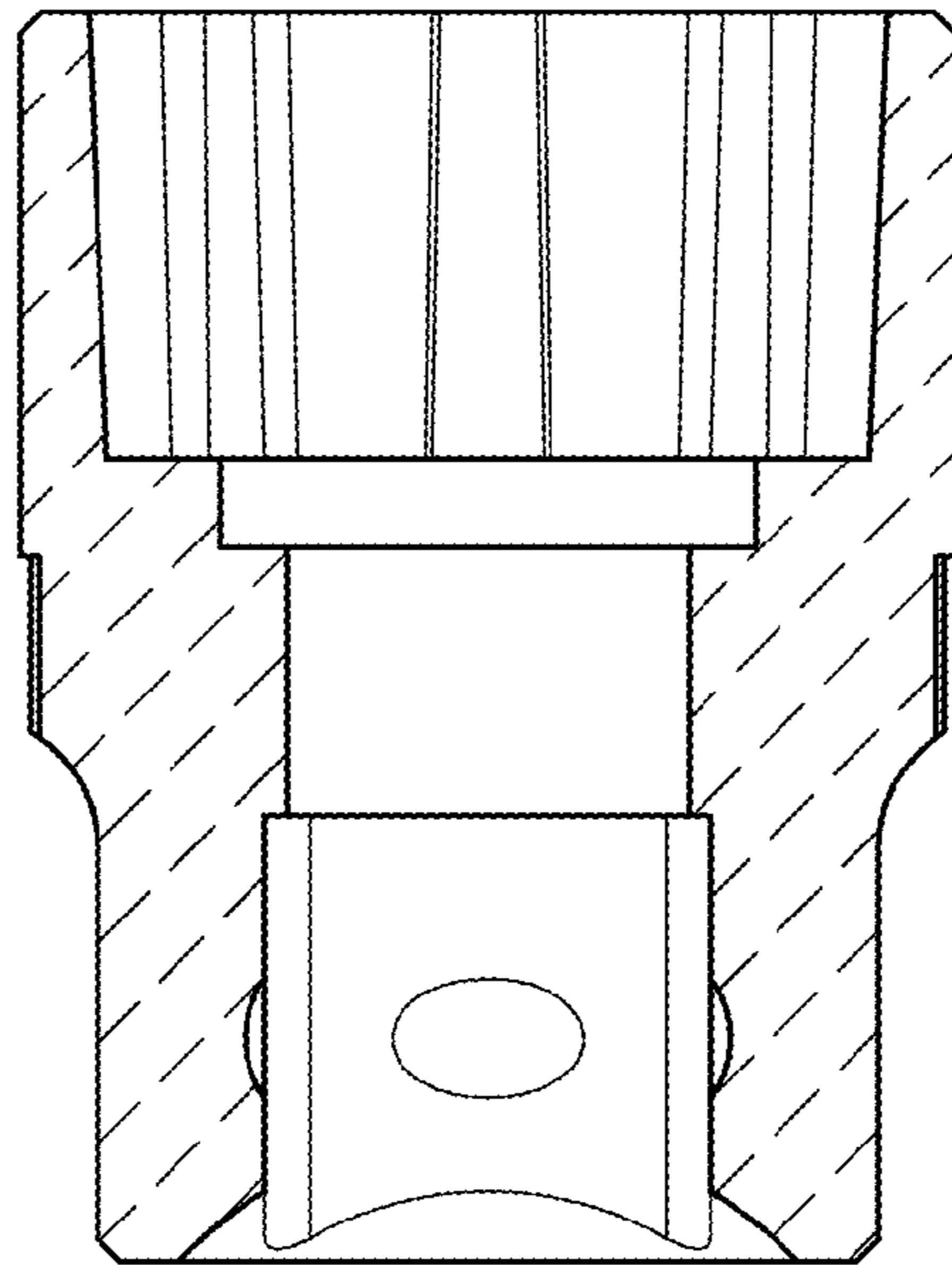


FIG. 8