



US00D709342S

(12) **United States Design Patent**
Aglassinger

(10) **Patent No.:** **US D709,342 S**
(45) **Date of Patent:** **** Jul. 22, 2014**

(54) **HAMMER DRILL**

(71) Applicant: **Robert Bosch GmbH**, Stuttgart (DE)
(72) Inventor: **Hans-Peter Aglassinger**, Esslingen (DE)
(73) Assignee: **Robert Bosch GmbH**, Stuttgart (DE)
(**) Term: **14 Years**

(21) Appl. No.: **29/444,404**
(22) Filed: **Jan. 30, 2013**

(30) **Foreign Application Priority Data**

Aug. 2, 2012 (EM) 002082875

(51) **LOC (10) Cl.** **08-03**
(52) **U.S. Cl.**
USPC **D8/69**

(58) **Field of Classification Search**
USPC D8/14.1, 61-70; 81/429, 454-456, 469,
81/489; 173/104, 114, 168-171, 178, 201,
173/211, 213, 217; 408/20, 124, 125, 234;
388/809
See application file for complete search history.

(56) **References Cited**

U.S. PATENT DOCUMENTS

D508,388 S * 8/2005 Aglassinger D8/69
D555,451 S * 11/2007 Okuda et al. D8/69
D558,551 S * 1/2008 Okuda et al. D8/69
D581,235 S * 11/2008 Aglassinger D8/69
D587,547 S * 3/2009 Aglassinger D8/69
D645,318 S * 9/2011 Taniguchi et al. D8/69
D646,136 S * 10/2011 Aglassinger D8/69
D676,731 S * 2/2013 Aglassinger D8/69
D679,162 S * 4/2013 Aglassinger D8/69
8,490,715 B2 * 7/2013 Engelfried et al. 173/109
2002/0100347 A1 * 8/2002 Daubinger et al. 81/469
2003/0094294 A1 * 5/2003 Fritz 173/171
2011/0174510 A1 * 7/2011 Eisenhardt 173/48

FOREIGN PATENT DOCUMENTS

JP 2005297183 A * 10/2005 B25D 16/00
JP 2006175589 A * 7/2006 B25D 16/00

OTHER PUBLICATIONS

Tool Snob. Rockwell 12-Volt H3 Multi-Function Hammer Drill—
Review. Apr. 10, 2010 [online], [retrieved on Oct. 30, 2013].
Retrieved from the Internet <URL: http://www.toolsnob.com/archives/2010/04/rockwell_12-volt_h3_multi-func_1.php>.*

(Continued)

Primary Examiner — Philip S Hyder
Assistant Examiner — Darlington Ly
(74) *Attorney, Agent, or Firm* — Maginot, Moore & Beck

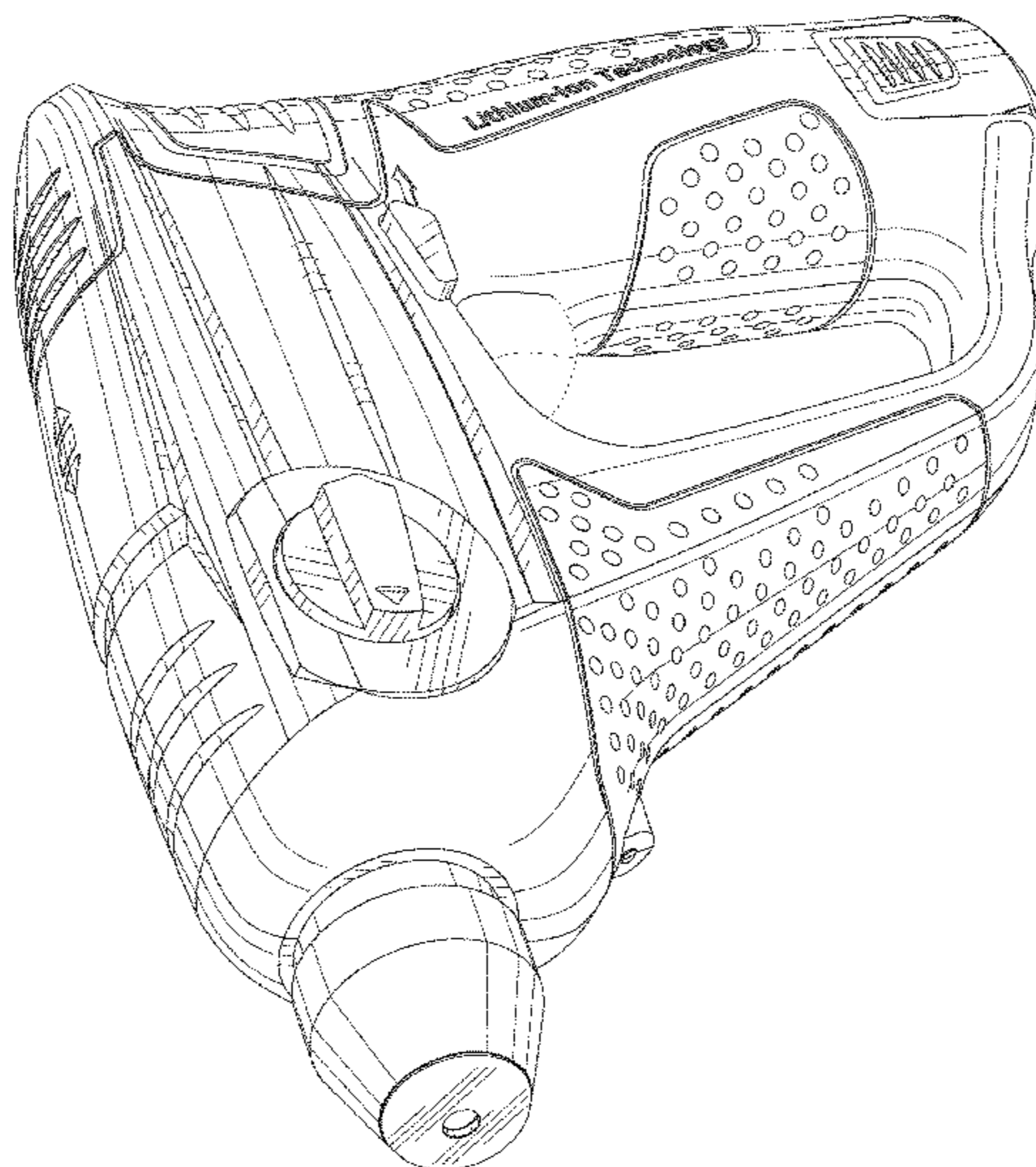
(57) **CLAIM**

The ornamental design for a hammer drill, as shown and described.

DESCRIPTION

FIG. 1 is a perspective view of a hammer drill showing my new design;
FIG. 2 is a right side elevational view showing the design for the hammer drill of FIG. 1;
FIG. 3 is a left side elevational view showing the design for the hammer drill of FIG. 1;
FIG. 4 is a front elevational view showing the design for the hammer drill of FIG. 1;
FIG. 5 is a rear elevational view showing the design for the hammer drill of FIG. 1;
FIG. 6 is a top plan view showing the design for the hammer drill of FIG. 1; and,
FIG. 7 is a bottom plan view showing the design for the hammer drill of FIG. 1.
The broken lines shown in the drawings illustrate portions of the hammer drill that form no part of the claimed design.

1 Claim, 7 Drawing Sheets



(56)

References Cited

OTHER PUBLICATIONS

New 18 Volt Compact—GBH 18 V-LI Compact Professional SDS-plus hammer. Electronic Catalogue. Jun. 11, 2011 [online], [retrieved

on Oct. 30, 2013]. Retrieved from the Internet <URL: <http://pdf.directindustry.com/pdf/robert-bosch-elektrowerkzeuge/blue-print-catalogue/25769-341033.html#open>>.*

* cited by examiner

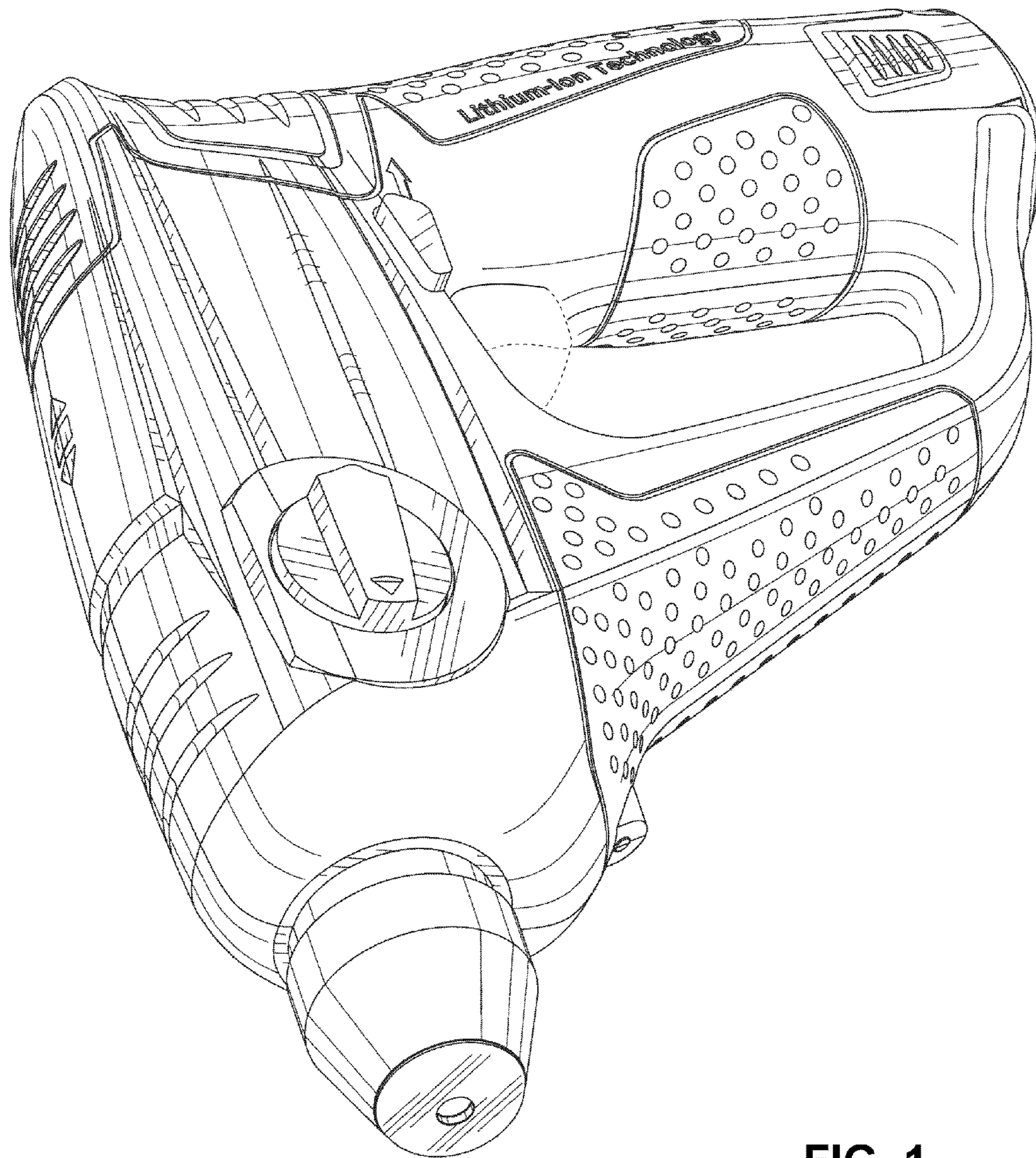


FIG. 1

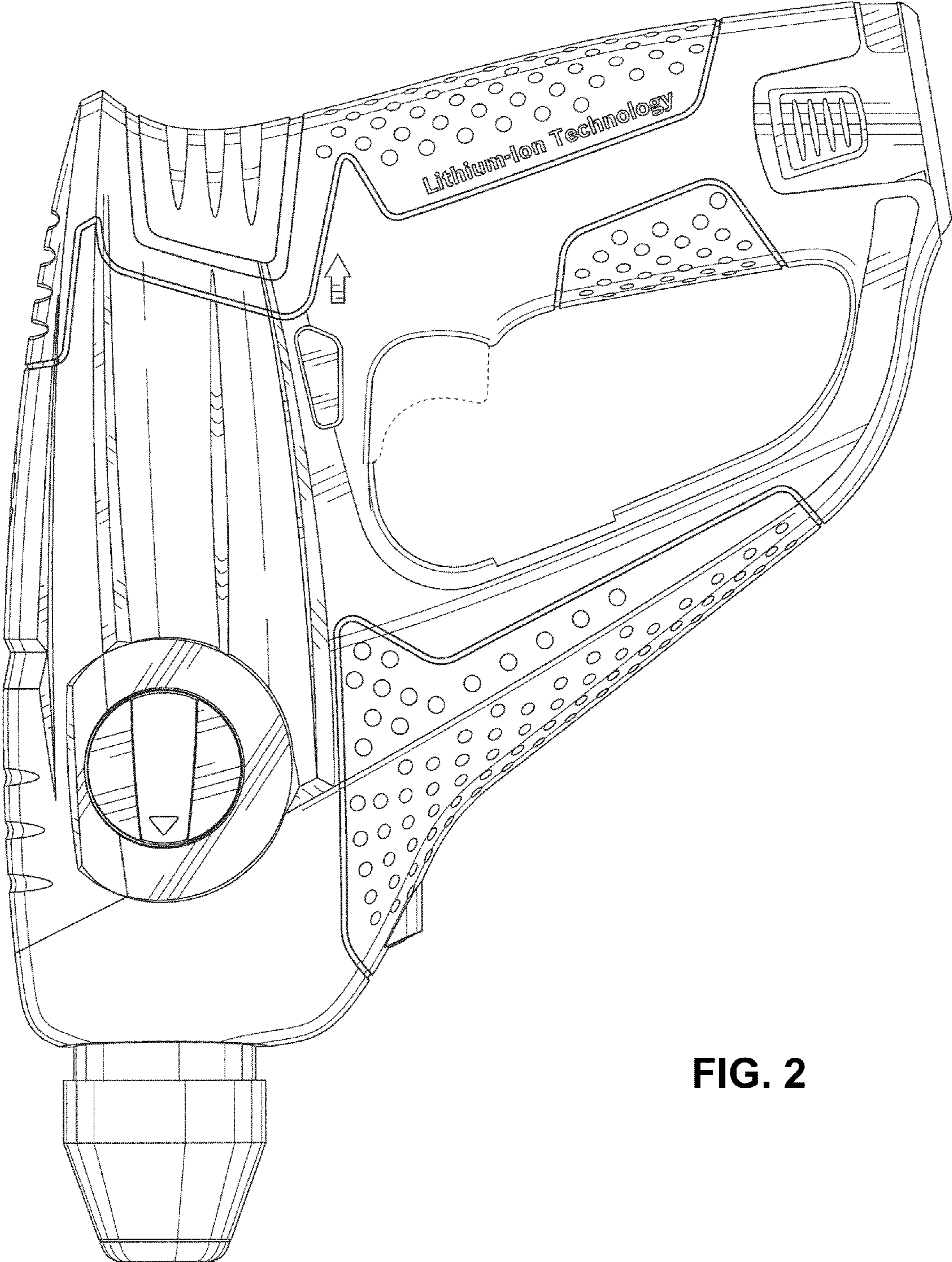


FIG. 2

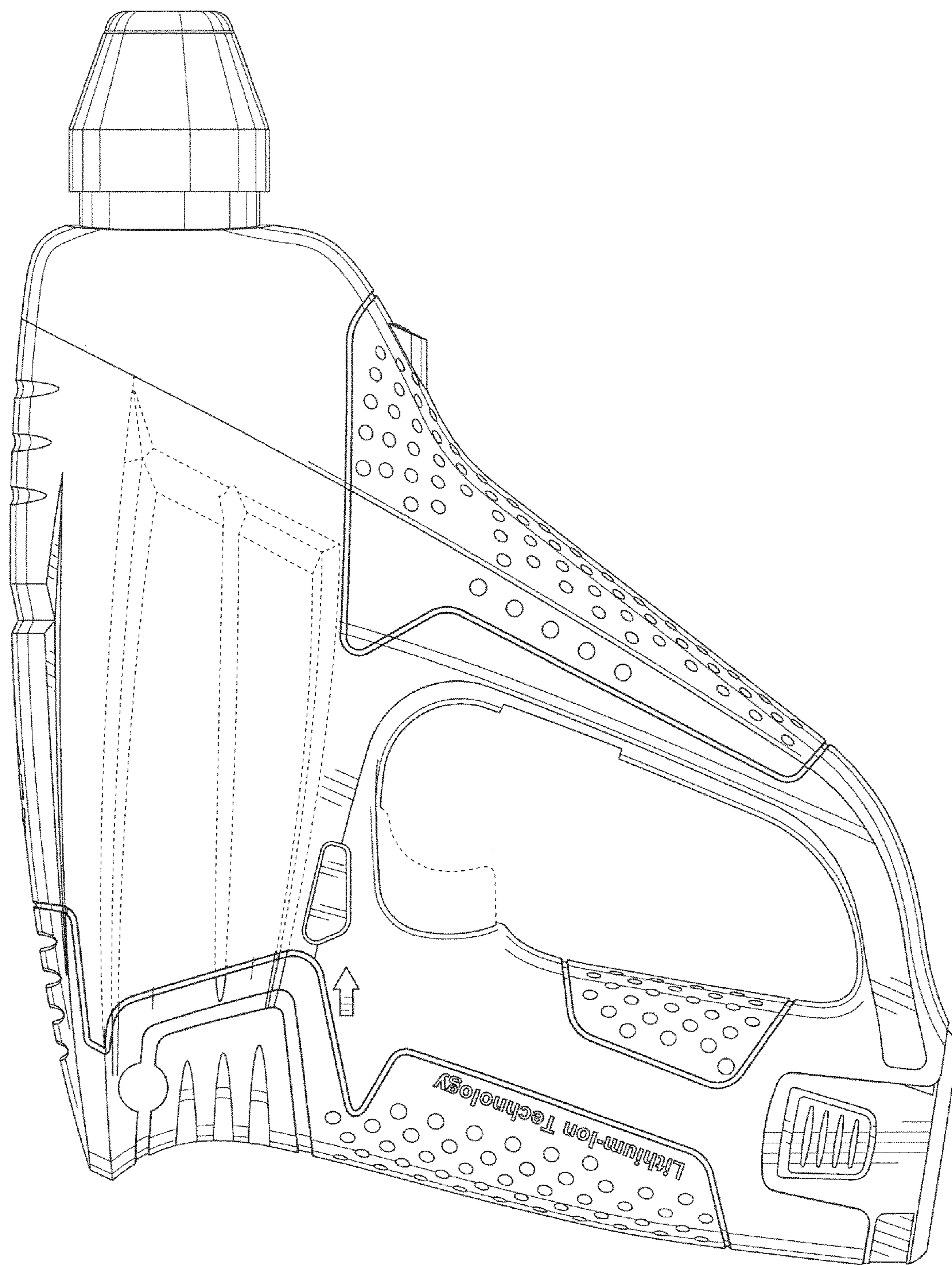


FIG. 3

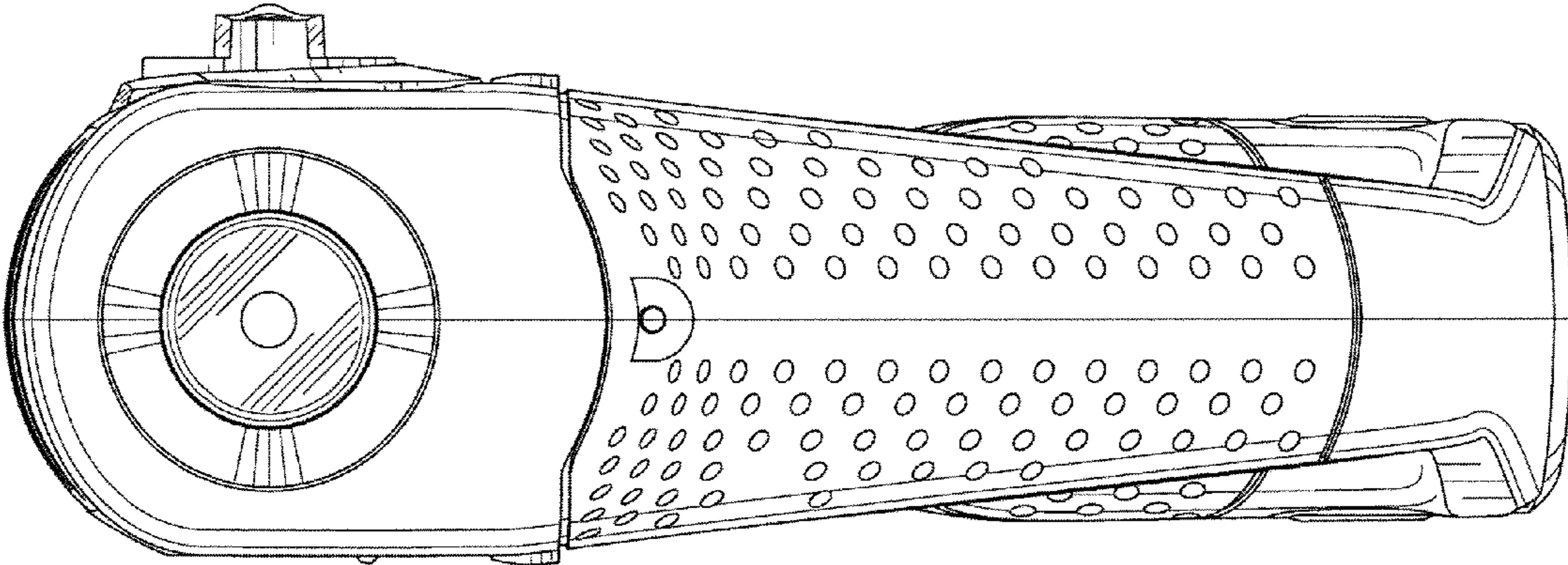


FIG. 4

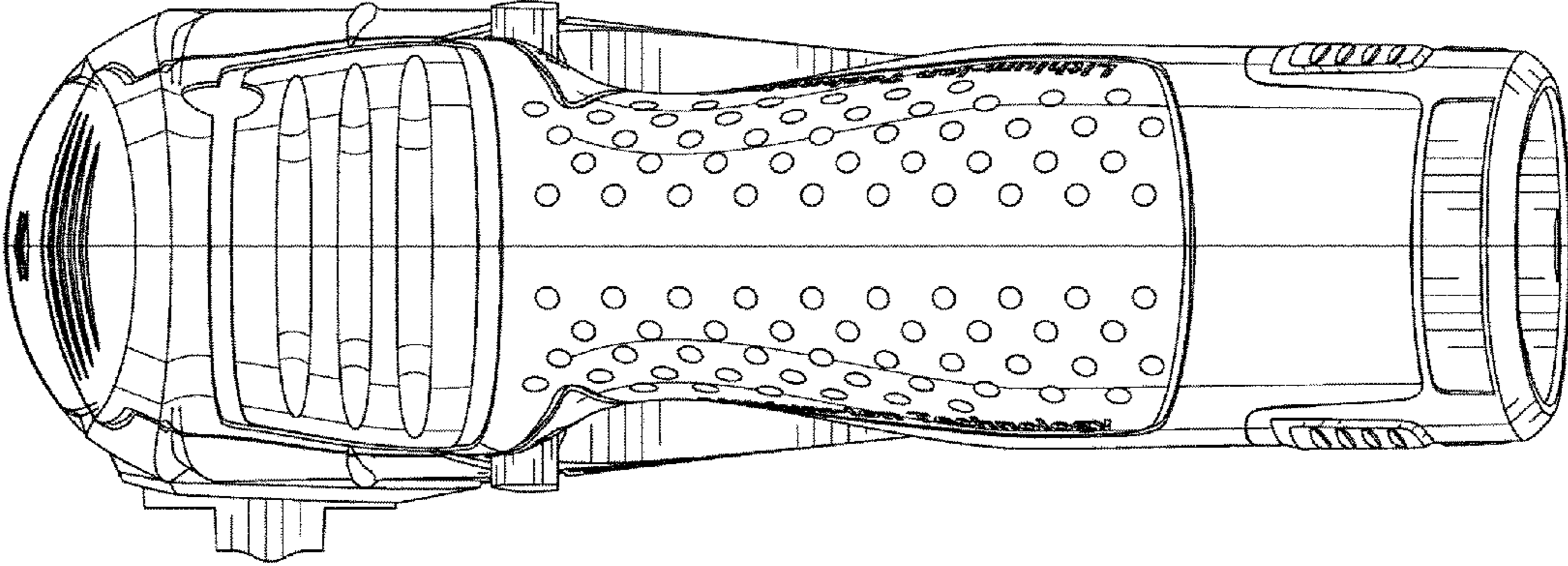


FIG. 5

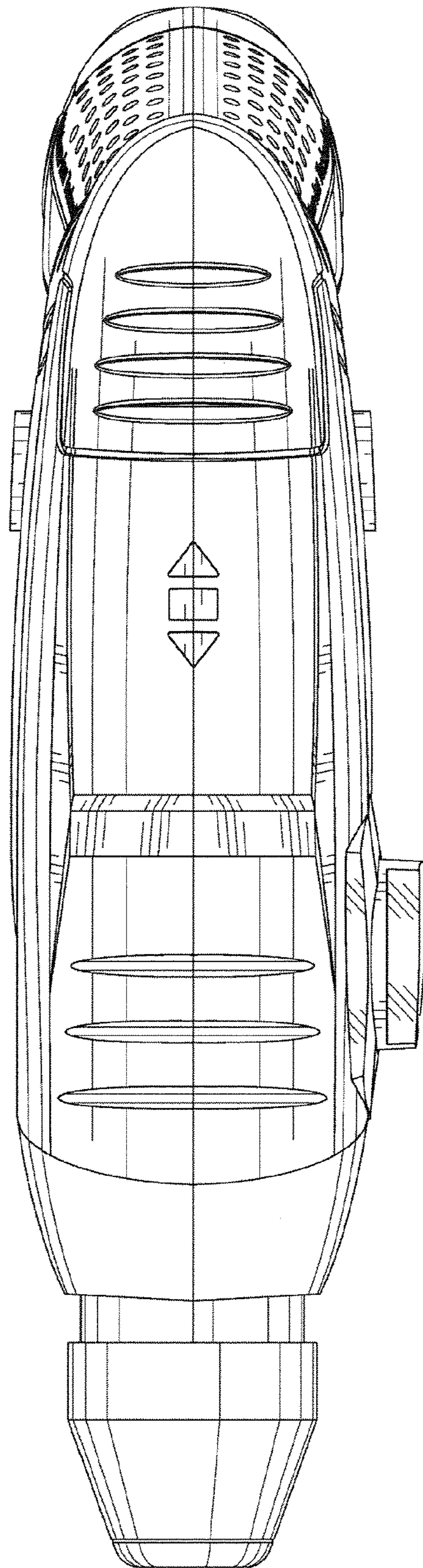


FIG. 6

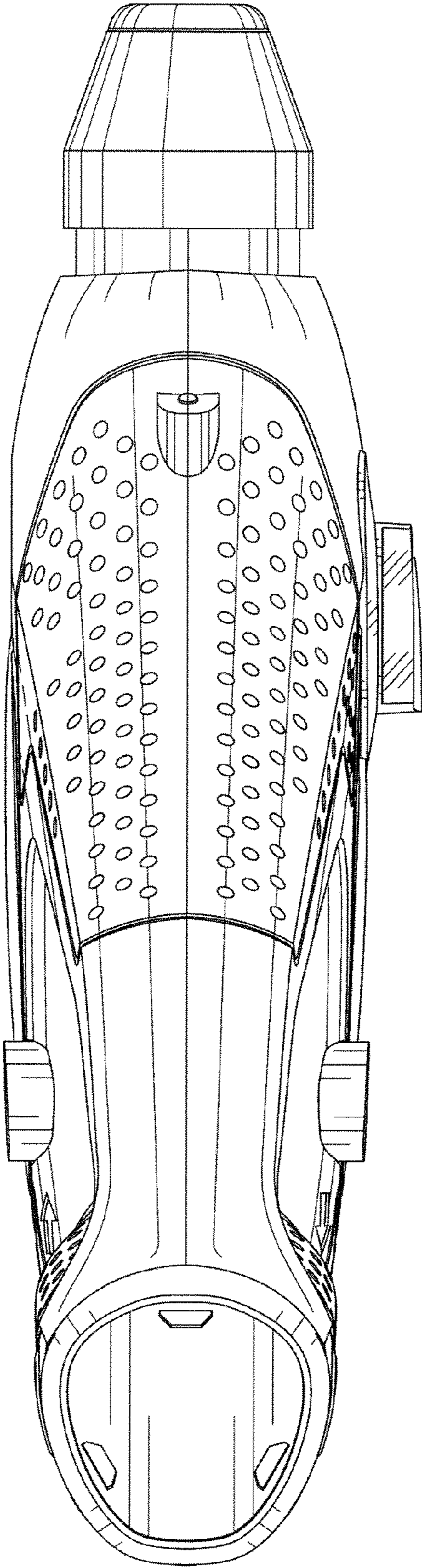


FIG. 7