



US00D709338S

(12) **United States Design Patent**
Goodman et al.

(10) **Patent No.:** **US D709,338 S**
(45) **Date of Patent:** **** Jul. 22, 2014**

(54) **NAPKIN HOLDER**

(71) Applicant: **Spectrum Diversified Designs, Inc.**,
Streetsboro, OH (US)
(72) Inventors: **Sheldon H. Goodman**, Solon, OH (US);
Phaysouk Xayoiphonh, Akron, OH
(US); **Jennifer Case**, Middleburg
Heights, OH (US)
(73) Assignee: **Spectrum Diversified Designs, Inc.**,
Streetsboro, OH (US)

(**) Term: **14 Years**

(21) Appl. No.: **29/444,508**

(22) Filed: **Jan. 31, 2013**

(51) **LOC (10) Cl.** **07-06**

(52) **U.S. Cl.**
USPC **D7/631**

(58) **Field of Classification Search**
USPC D7/631-634, 704; D19/90, 86, 75;
211/181.1, 85.31, 13.1, 41.1-41.4, 11,
211/126.9, 133.5

See application file for complete search history.

(56) **References Cited**

U.S. PATENT DOCUMENTS

D315,925 S *	4/1991	Rich	D19/92
D433,286 S *	11/2000	Goodman et al.	D7/631
D629,656 S *	12/2010	Goodman et al.	D7/601
D632,933 S *	2/2011	Goodman et al.	D7/631
D640,510 S *	6/2011	Guindi	D7/631

* cited by examiner

Primary Examiner — Terry Wallace

(74) *Attorney, Agent, or Firm* — Renner, Otto, Boisselle & Sklar, LLP

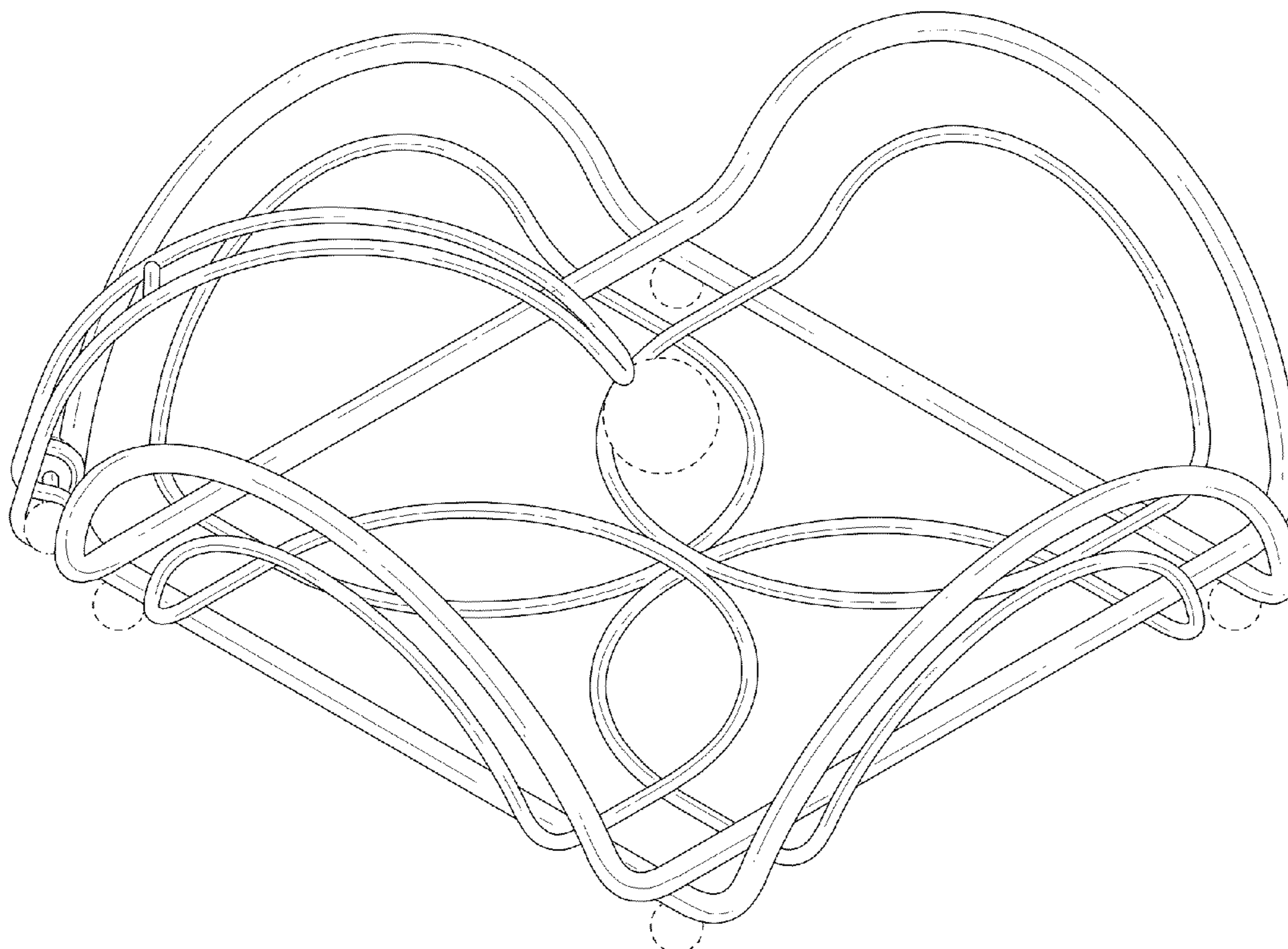
(57) **CLAIM**

The ornamental design for a napkin holder, as shown and described.

DESCRIPTION

FIG. 1 is a perspective view of a napkin holder showing my new design;
FIG. 2 is a top view of the napkin holder;
FIG. 3 is a left side view of the napkin holder;
FIG. 4 is a front view of the napkin holder;
FIG. 5 is a right side view of the napkin holder;
FIG. 6 is a rear view of the napkin holder; and,
FIG. 7 is a bottom view of the napkin holder.
The broken lines in the drawing illustrate environmental matter and forms no part of the claimed design.

1 Claim, 2 Drawing Sheets



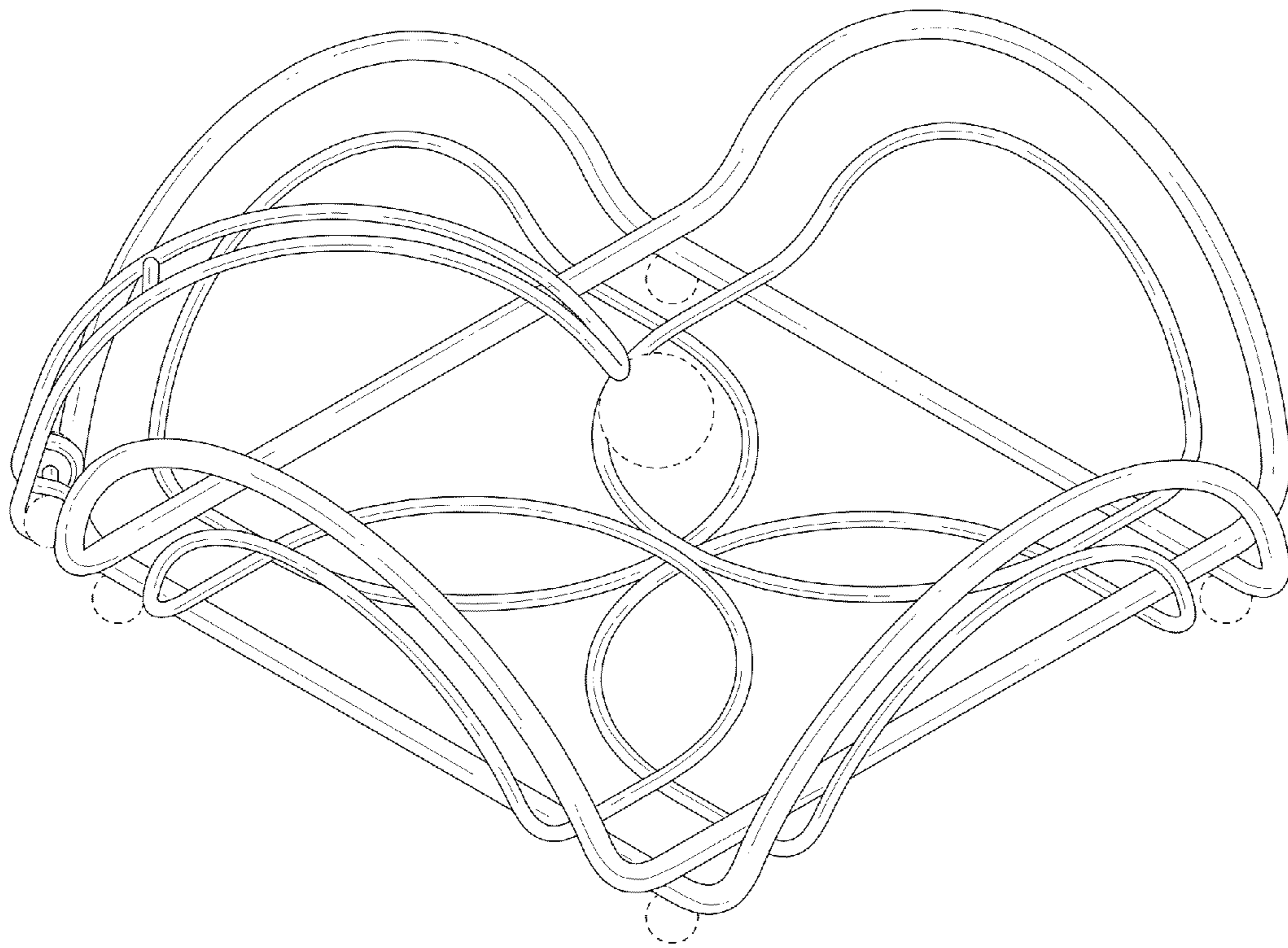


FIG 1

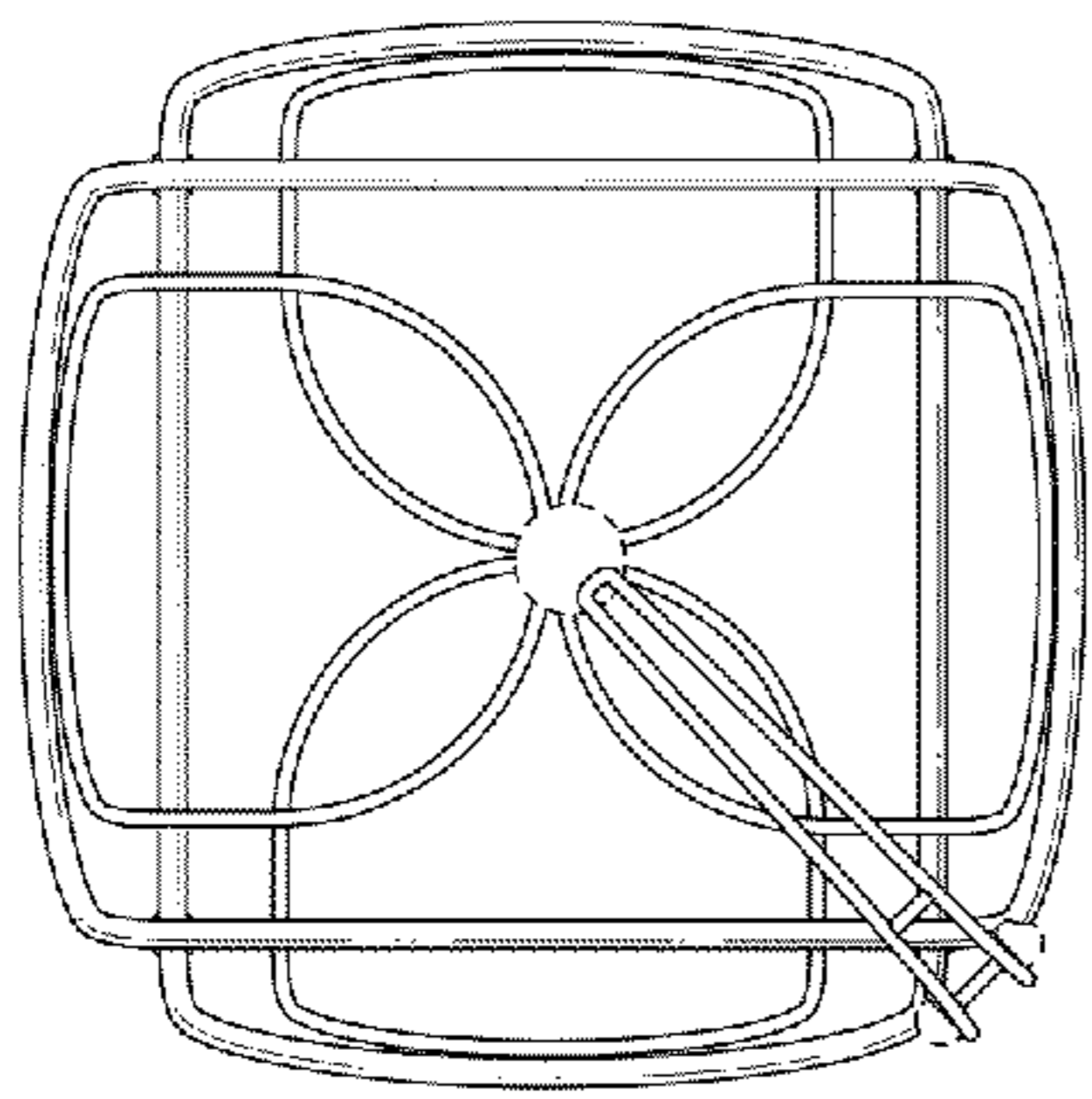


FIG 2

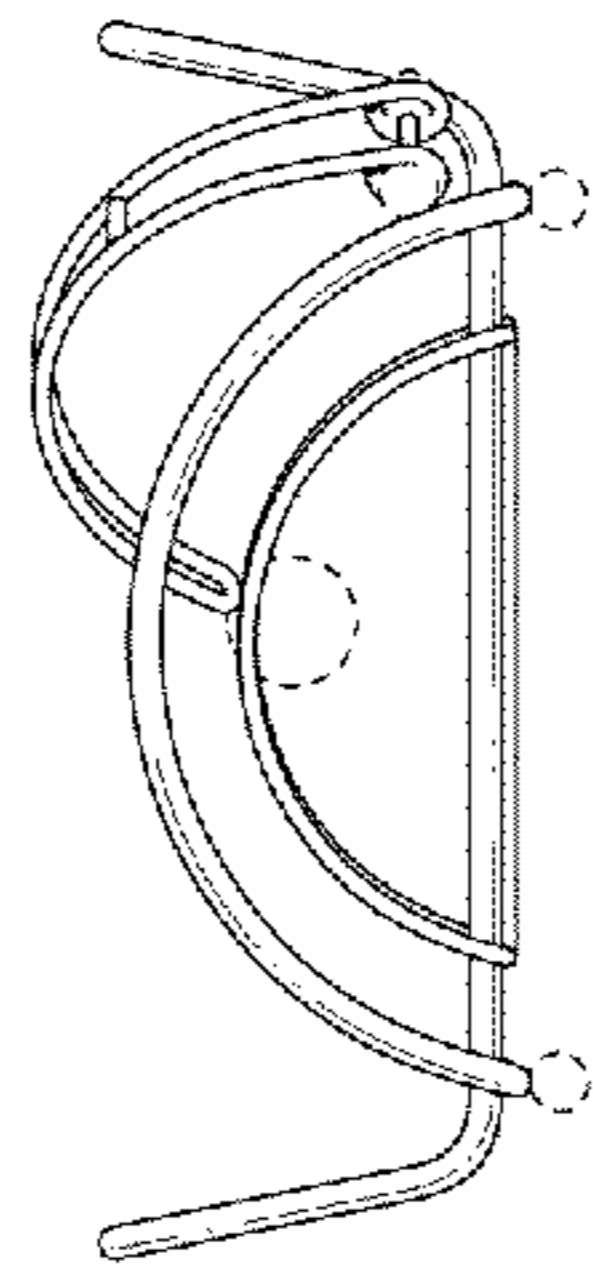


FIG 3

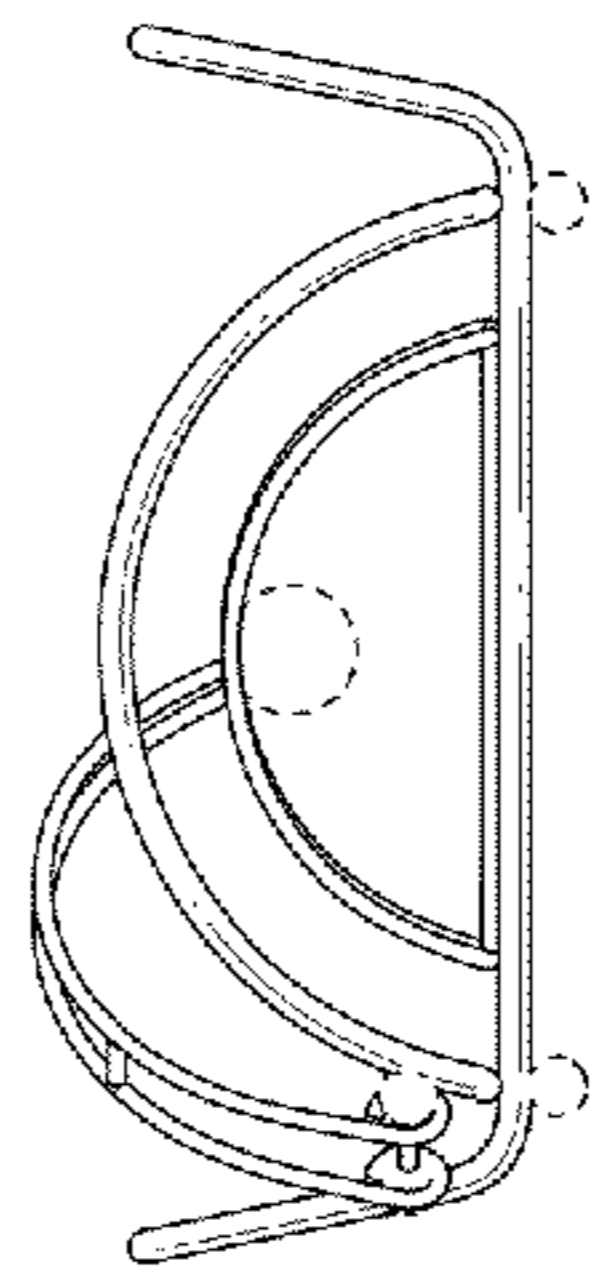


FIG 4

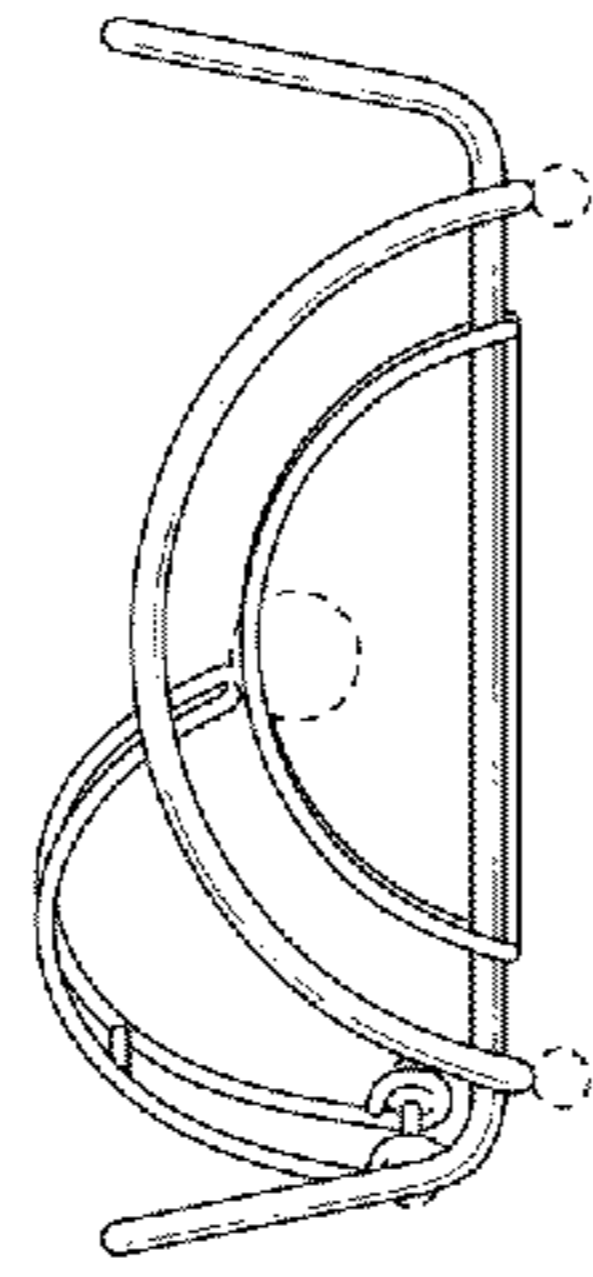


FIG 5

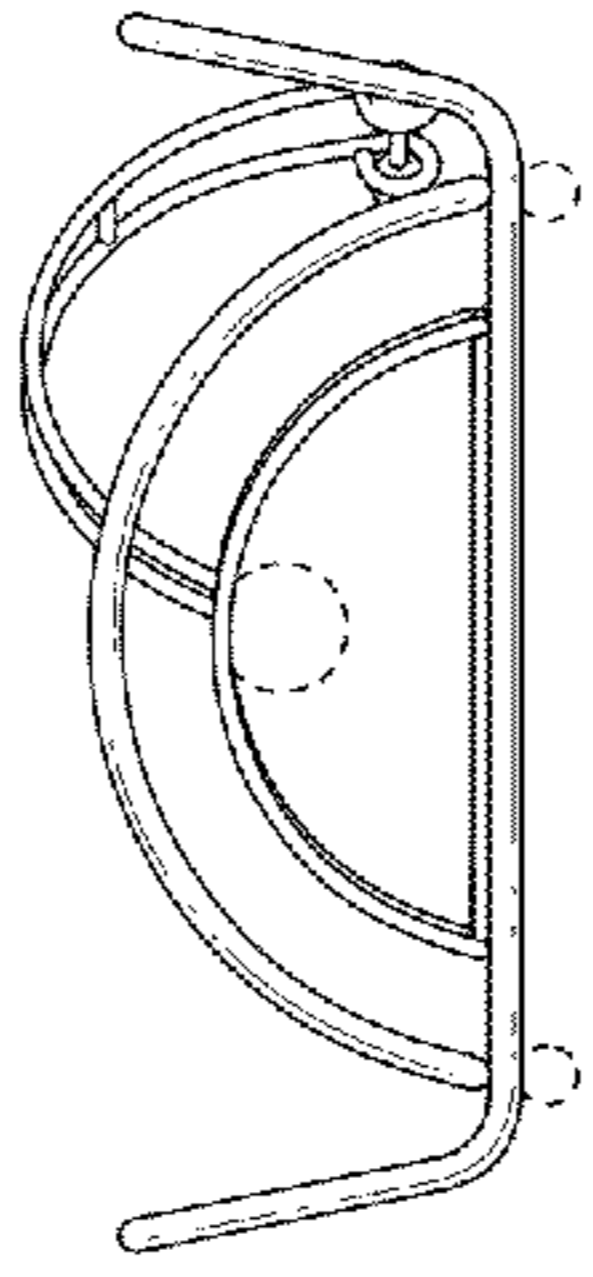


FIG 6

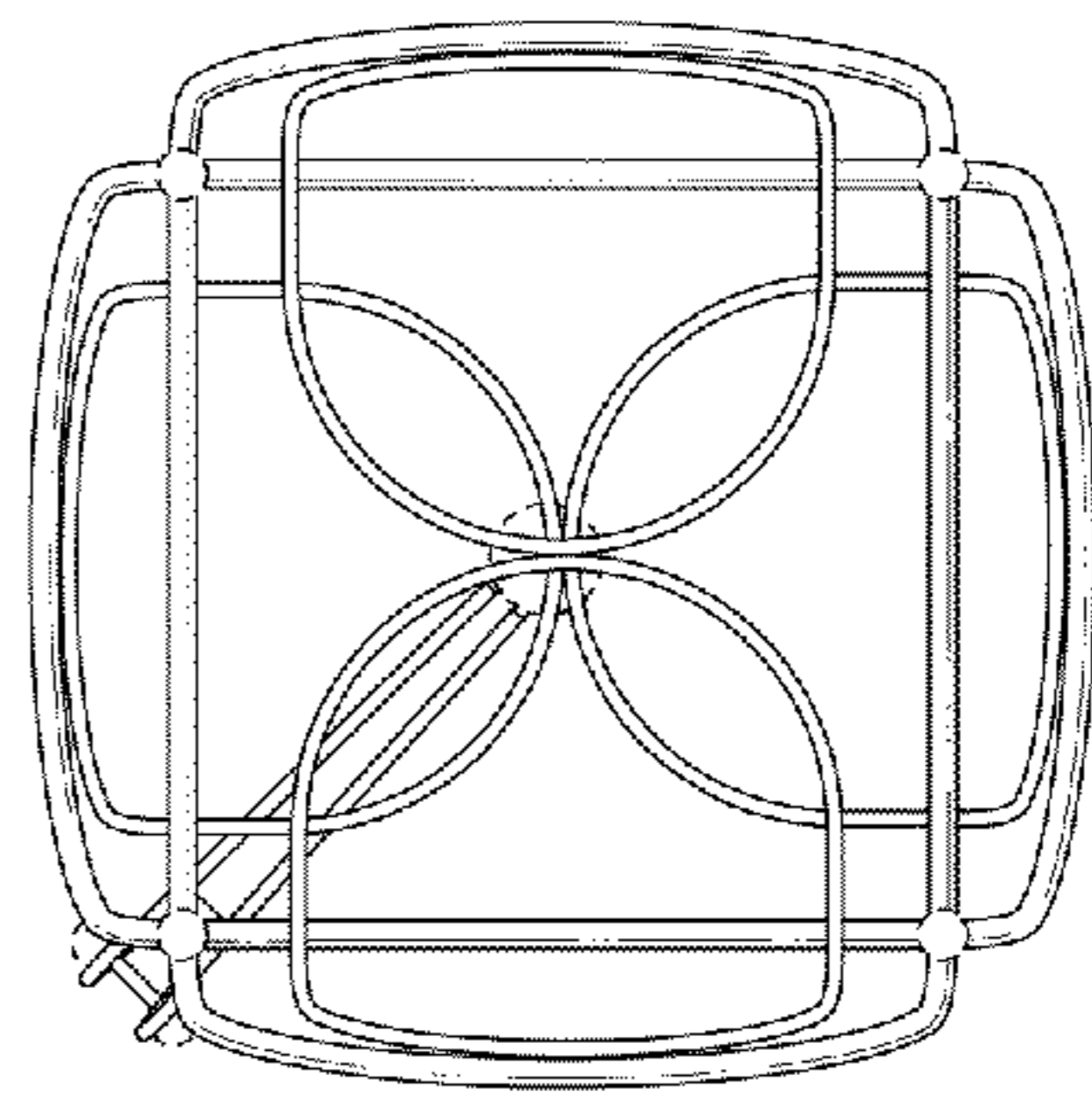


FIG 7