



US00D709336S

(12) **United States Design Patent**
Liebenthal

(10) **Patent No.:** **US D709,336 S**
(45) **Date of Patent:** **** Jul. 22, 2014**

(54) **PORTABLE BEVERAGE COOLER WITH INTEGRAL SUPPORTING MEANS**

DESCRIPTION

- (71) Applicant: **Adam J. Liebenthal**, Hartland, WI (US)
- (72) Inventor: **Adam J. Liebenthal**, Hartland, WI (US)
- (**) Term: **14 Years**
- (21) Appl. No.: **29/476,814**
- (22) Filed: **Dec. 17, 2013**

Related U.S. Application Data

- (63) Continuation of application No. 12/781,969, filed on May 18, 2010, now abandoned.
- (51) **LOC (10) Cl.** **07-01**
- (52) **U.S. Cl.**
USPC **D7/605**
- (58) **Field of Classification Search**
CPC F25D 3/08
USPC D7/605-608; D34/12, 14, 17, 24, 25;
62/457.1-457.9, 371, 372; 220/592.01,
220/592.03, 592.08, 592.16-592.27, 915.1,
220/915.2, 592.2; 280/87.043, 79.2, 655,
280/655.1, 652, 638, 47.26, 47.17, 47.23,
280/47.33, 47.2, 47.24, 47.21, 47.18
See application file for complete search history.

(56) **References Cited**

U.S. PATENT DOCUMENTS

- 4,280,336 A 7/1981 Taylor
- 4,286,440 A 9/1981 Taylor

(Continued)

Primary Examiner — Terry Wallace

(74) *Attorney, Agent, or Firm* — Robert C. Montgomery;
Montgomery Patent & Design

(57) **CLAIM**

The ornamental design for a portable beverage cooler with integral supporting means, as shown and described.

FIG. 1 is an exploded perspective view of a portable beverage cooler with integral supporting means showing my new design, the broken lines represent wheels which are part of the environment and are not claimed.

FIG. 2 is a top perspective view of the cooler body.

FIG. 3 is a top, rear perspective view of FIG. 2.

FIG. 4 is a top, front perspective view of FIG. 2.

FIG. 5 is a front view of FIG. 2.

FIG. 6 is a rear view of FIG. 2.

FIG. 7 is a left side view of FIG. 2, the right side being a mirror image.

FIG. 8 is a top plan view of FIG. 2.

FIG. 9 is a bottom plan view of FIG. 2.

FIG. 10 is a top perspective view of the beverage tray.

FIG. 11 is a front view of FIG. 10, the rear view being a mirror image.

FIG. 12 is a left side view of FIG. 10, the right side view being a mirror image.

FIG. 13 is a top plan view of FIG. 10.

FIG. 14 is a bottom plan view of FIG. 10.

FIG. 15 is a top perspective view of the food tray.

FIG. 16 is a front view of FIG. 15, the rear view being a mirror image.

FIG. 17 is a left side view of FIG. 15, the right side view being a mirror image.

FIG. 18 is a top plan view of FIG. 15.

FIG. 19 is a bottom plan view of FIG. 15.

FIG. 20 is a top perspective view of the lid.

FIG. 21 is a front view of FIG. 20, the rear view being a mirror image.

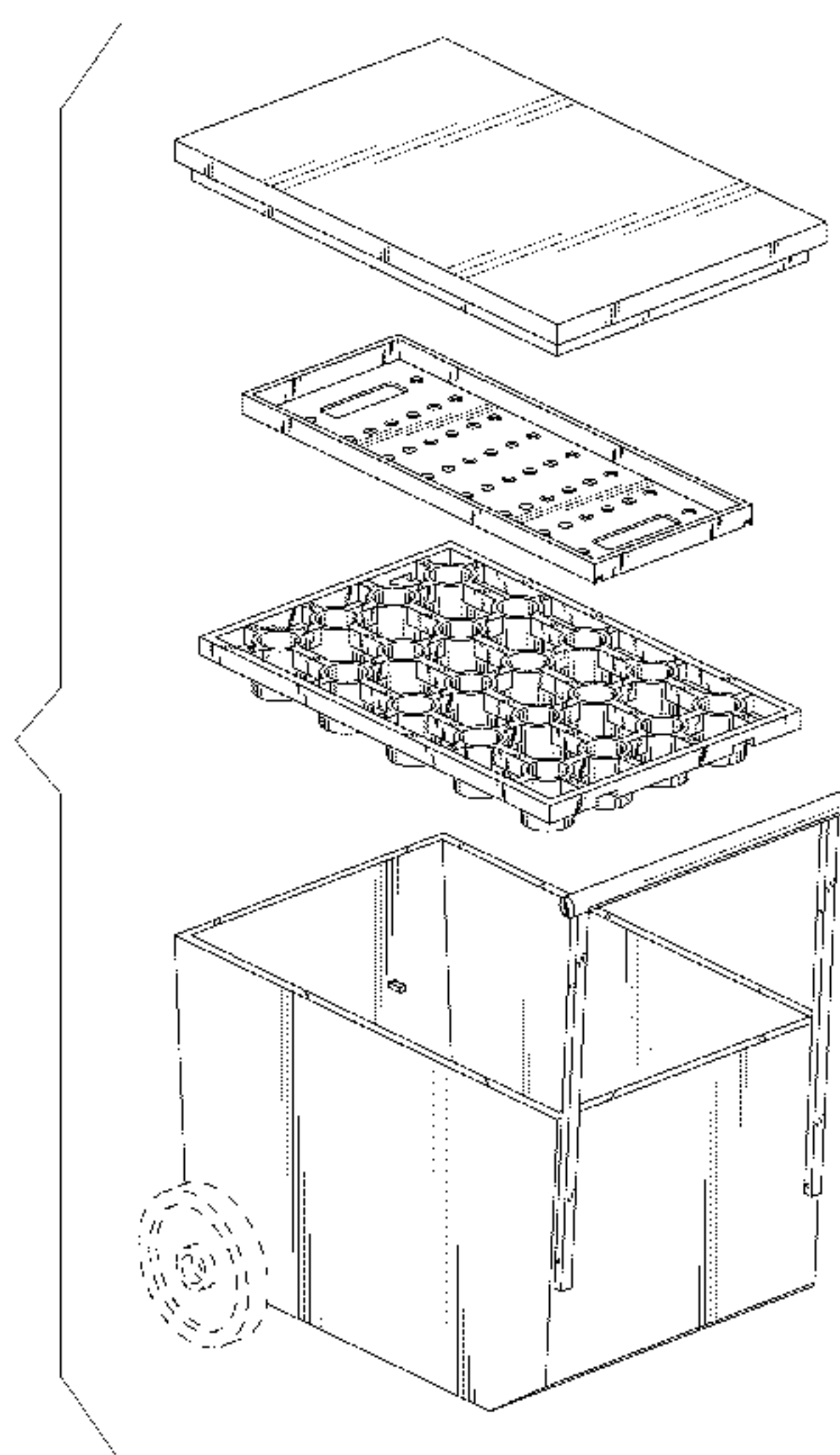
FIG. 22 is a left side view of FIG. 20, the right side view being a mirror image.

FIG. 23 is a top plan view of FIG. 20; and,

FIG. 24 is a bottom plan view of FIG. 20.

The parts of the cooler are shown separately for ease and clarity of illustration.

1 Claim, 24 Drawing Sheets



(56)

References Cited

U.S. PATENT DOCUMENTS

4,424,687	A *	1/1984	Morgan	62/457.1	5,423,195	A *	6/1995	Peters	62/457.7
4,704,875	A	11/1987	Kieler		5,437,165	A	8/1995	White et al.	
4,785,945	A	11/1988	Rowse et al.		5,953,931	A *	9/1999	Brittain	62/457.1
4,846,493	A *	7/1989	Mason	280/47.21	D415,658	S *	10/1999	Frehse	D7/605
4,873,841	A *	10/1989	Bradshaw et al.	62/457.1	6,481,014	B1	11/2002	Banks et al.	
4,899,904	A	2/1990	Dooley et al.		6,763,959	B2 *	7/2004	Tedder	220/915.2
4,916,923	A	4/1990	Adams et al.		7,097,034	B2	8/2006	Woog	
5,052,184	A	10/1991	Jarvis		7,313,928	B2 *	1/2008	Girard	62/457.7
D328,689	S *	8/1992	Riskowski	D7/605	D613,560	S *	4/2010	Robichaud et al.	D7/605
					D667,697	S *	9/2012	Shah	D7/605
					2008/0223862	A1 *	9/2008	Vanderberg et al.	220/592.03

* cited by examiner

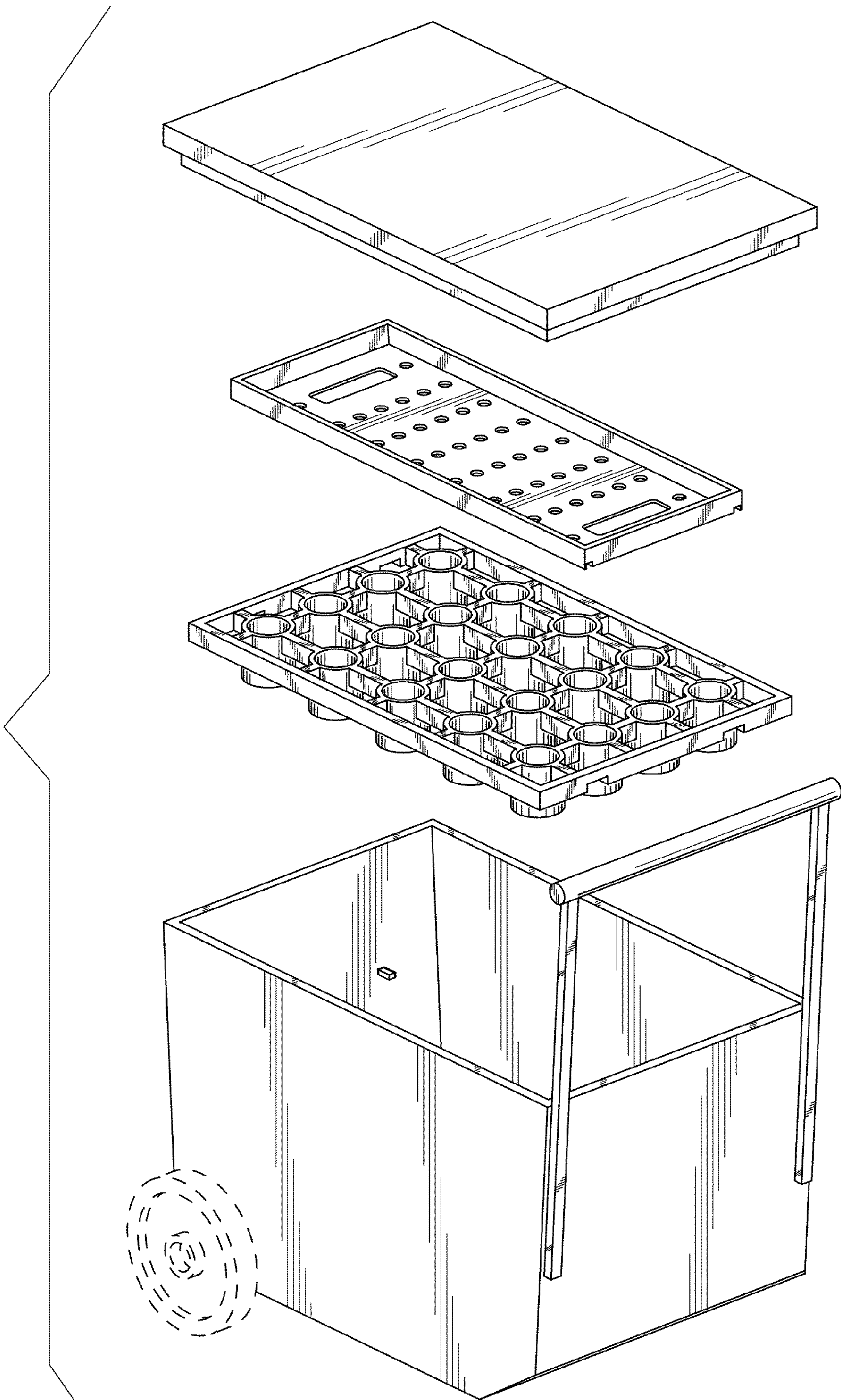


Fig. 1

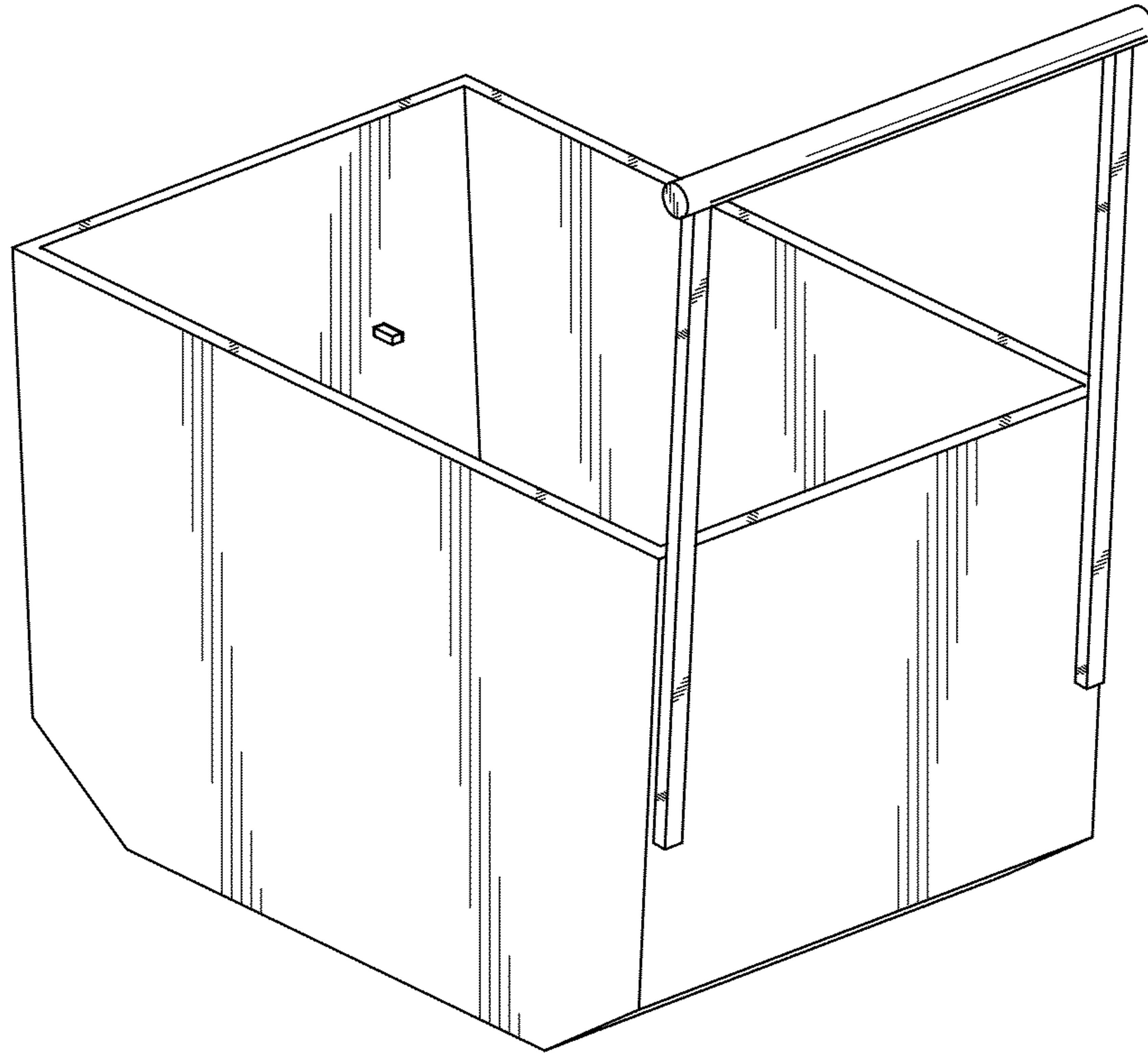


Fig. 2

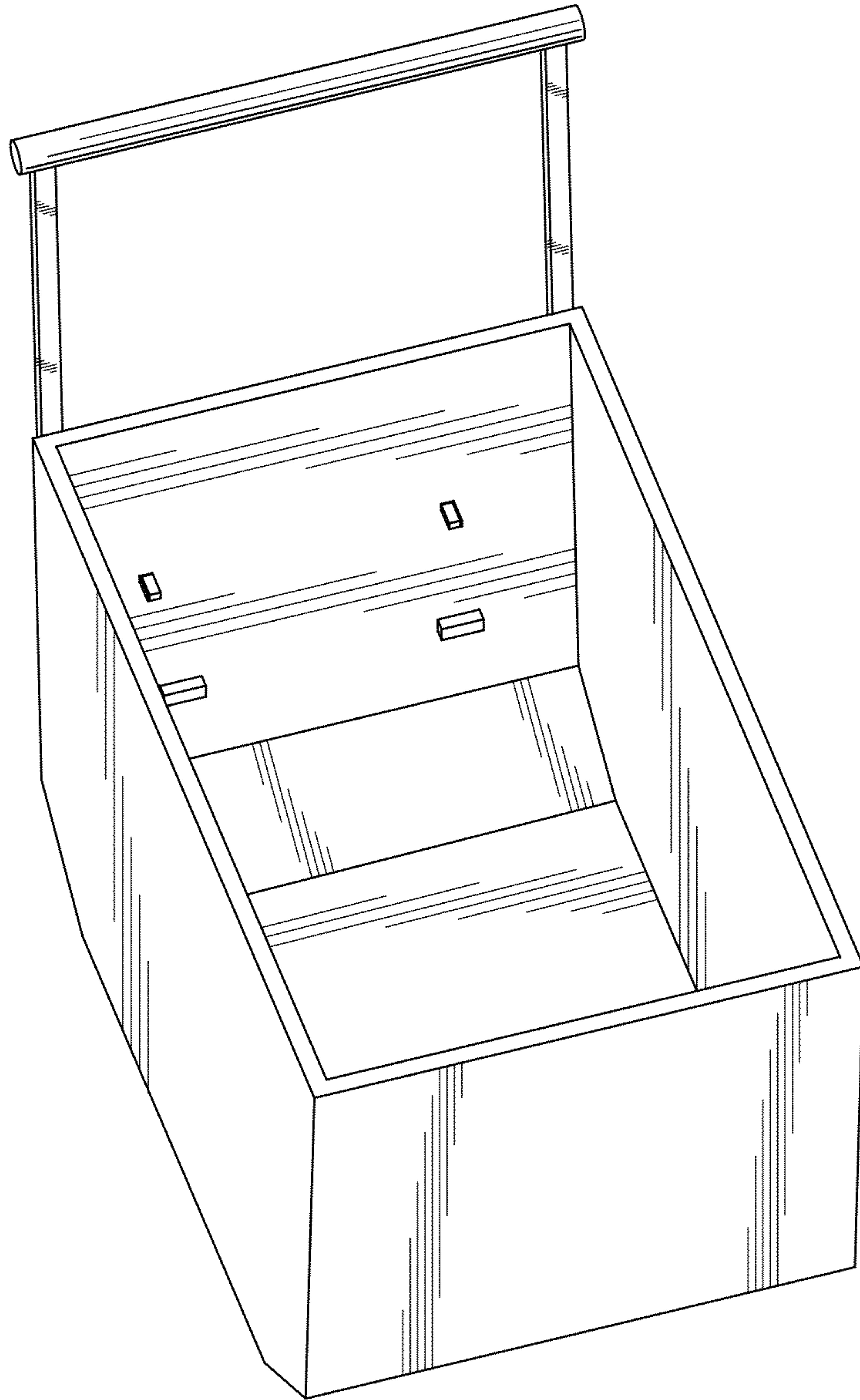


Fig. 3

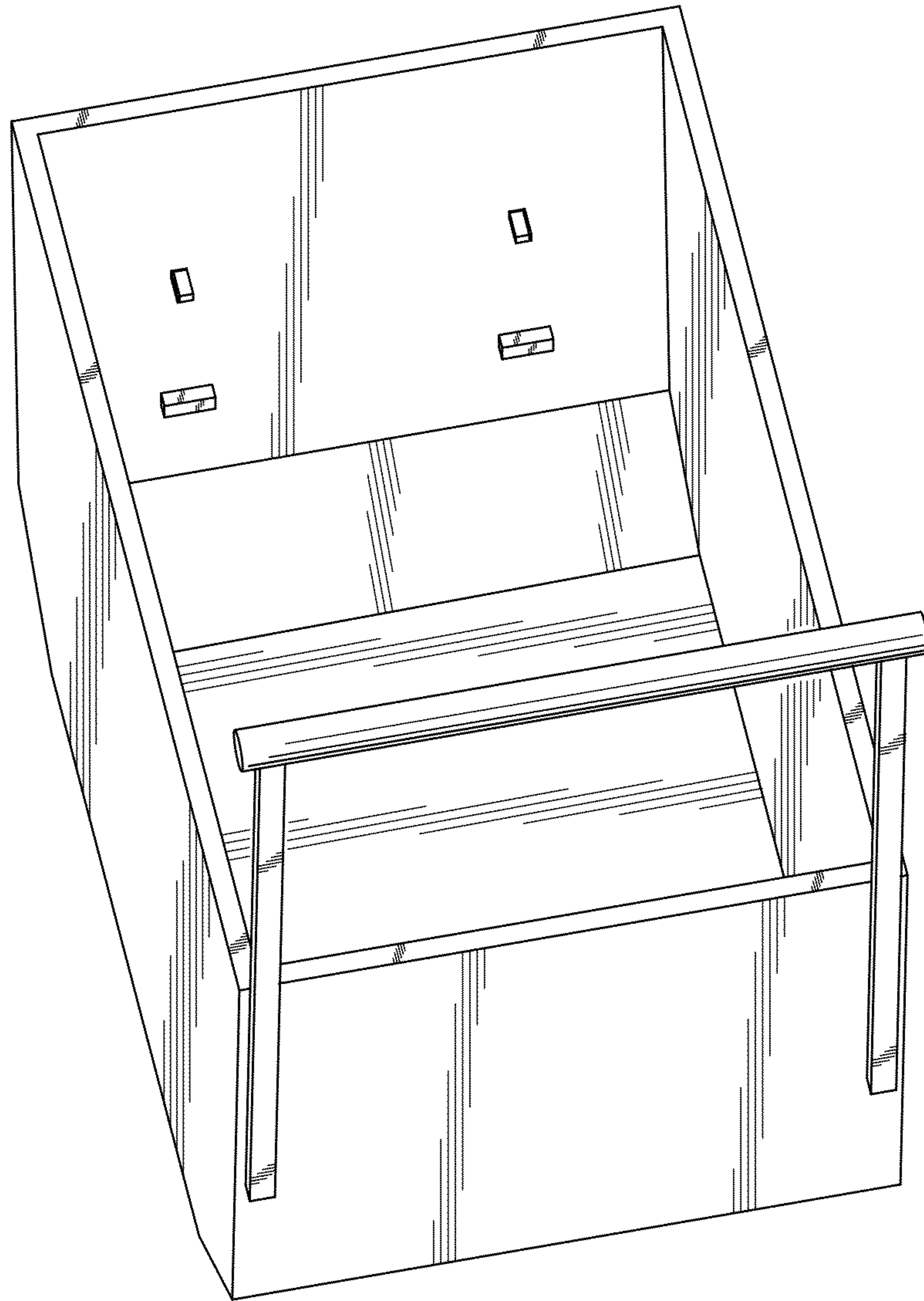


Fig. 4

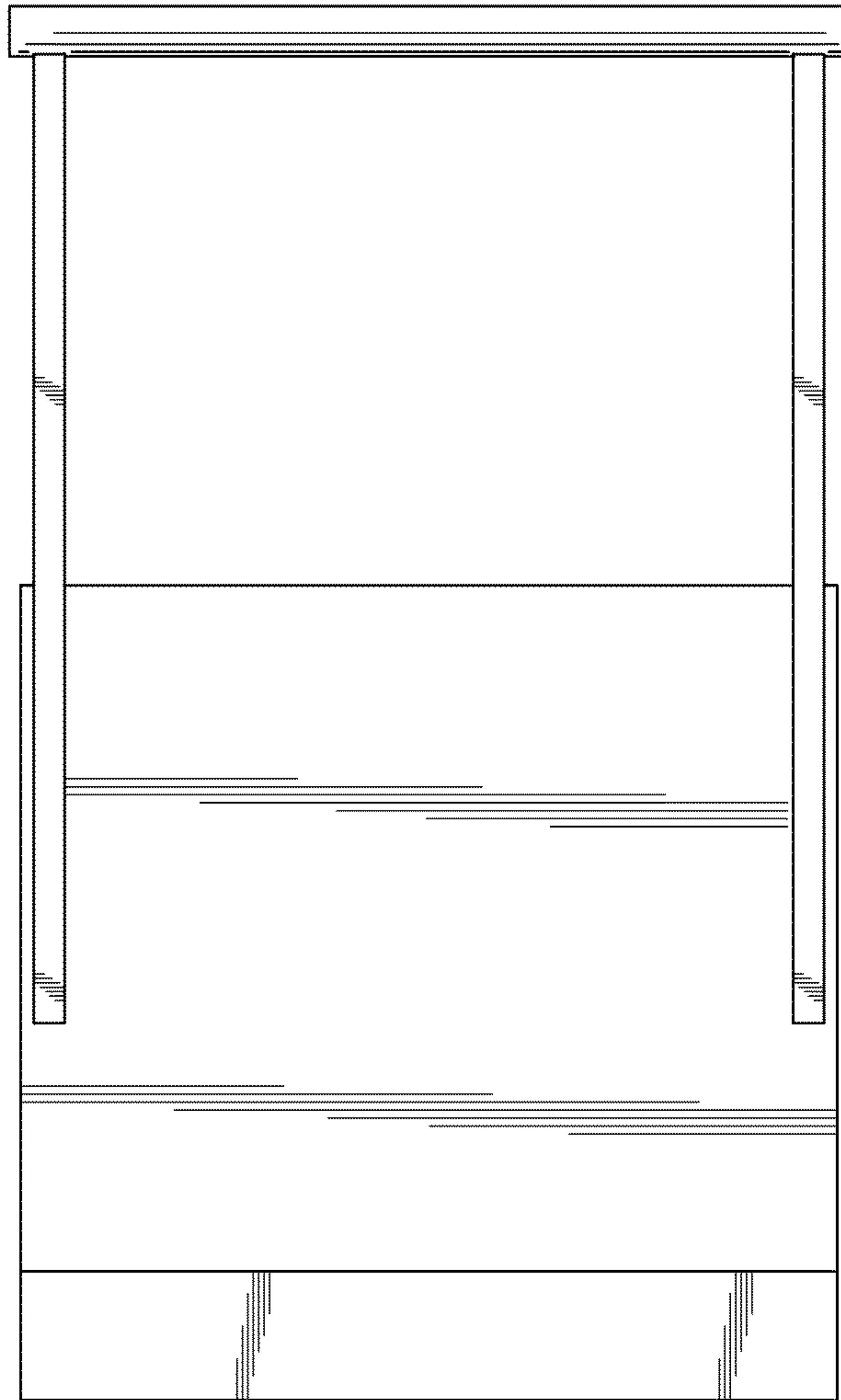


Fig. 5

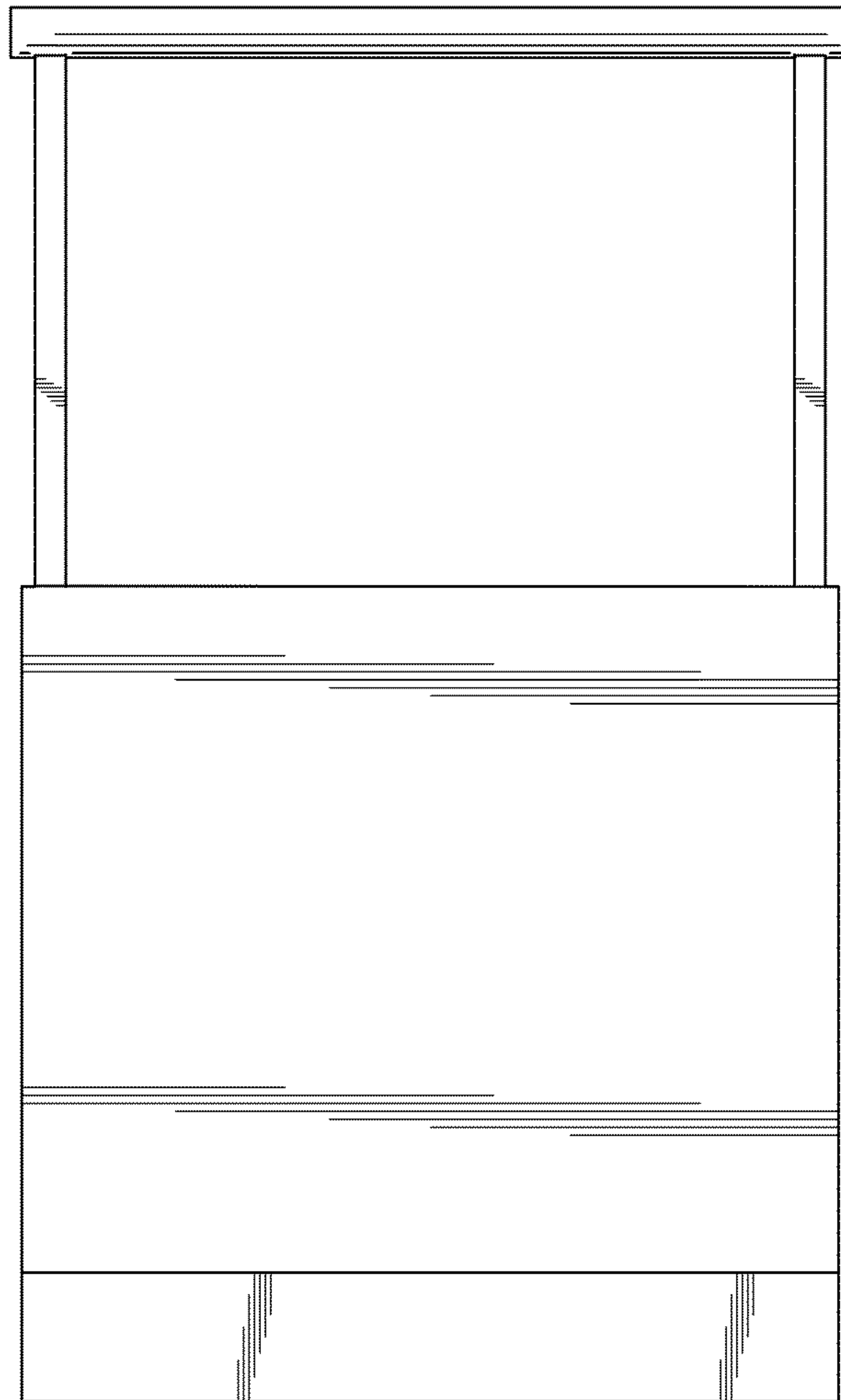


Fig. 6

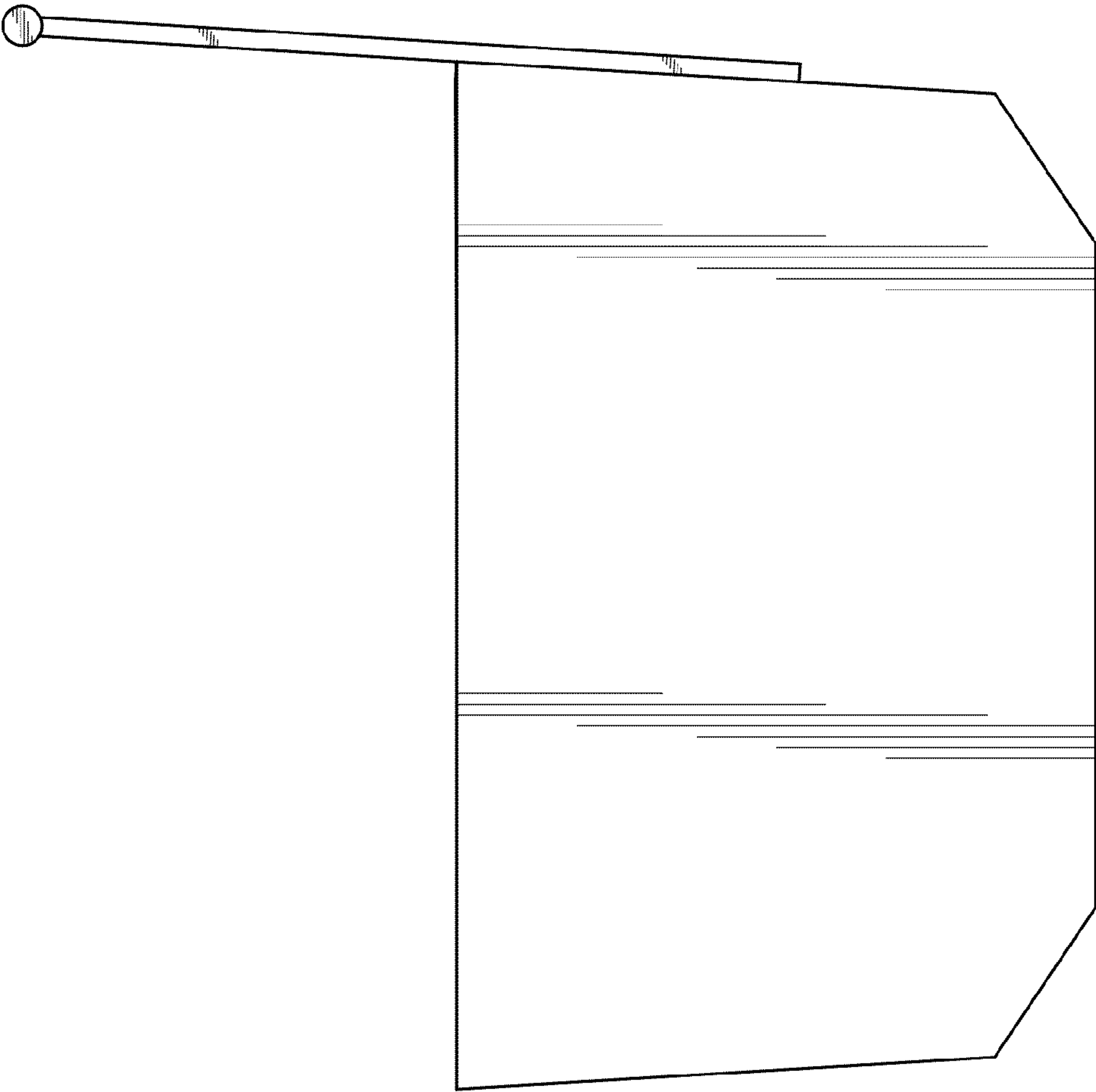


Fig. 7

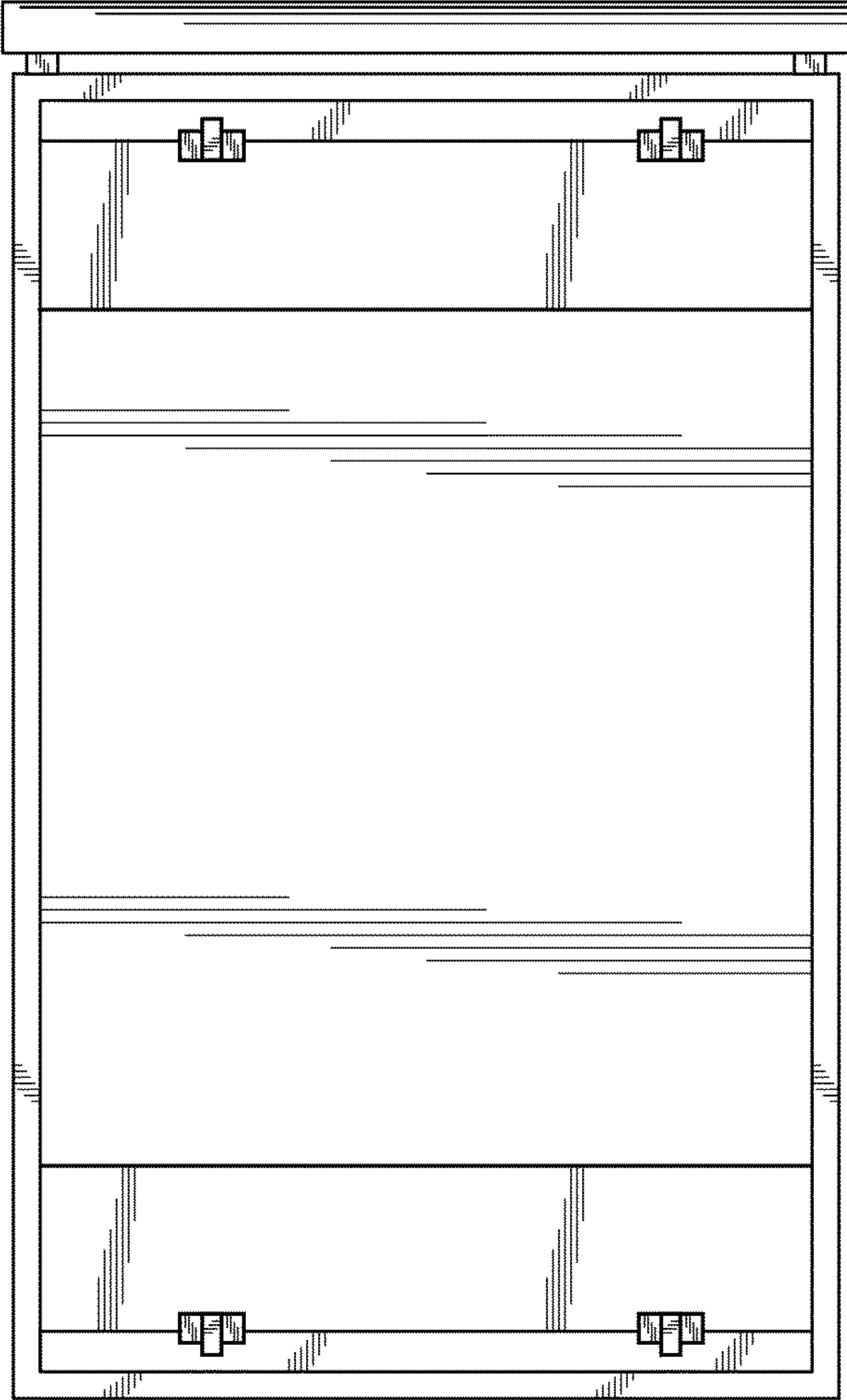


Fig. 8

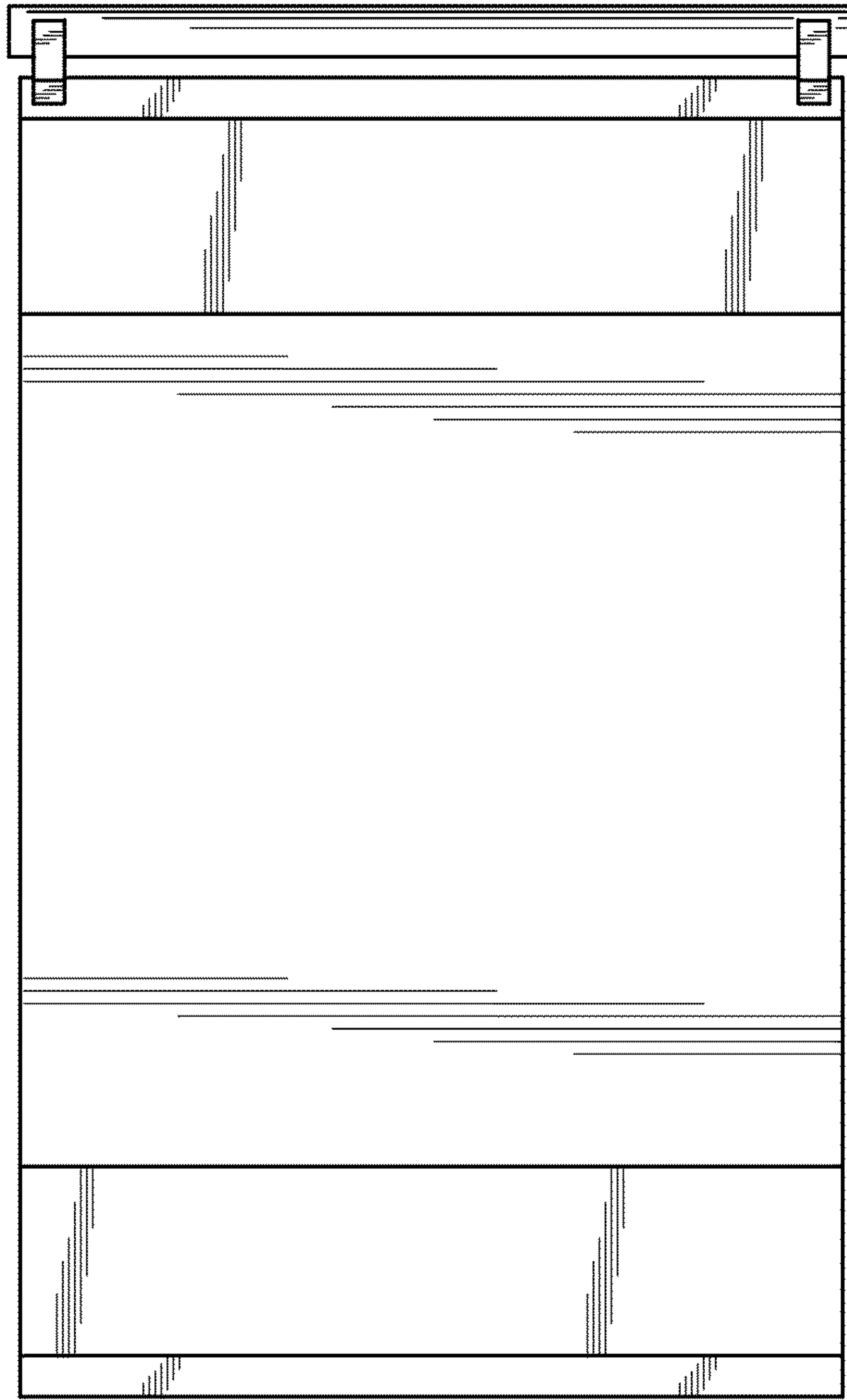


Fig. 9

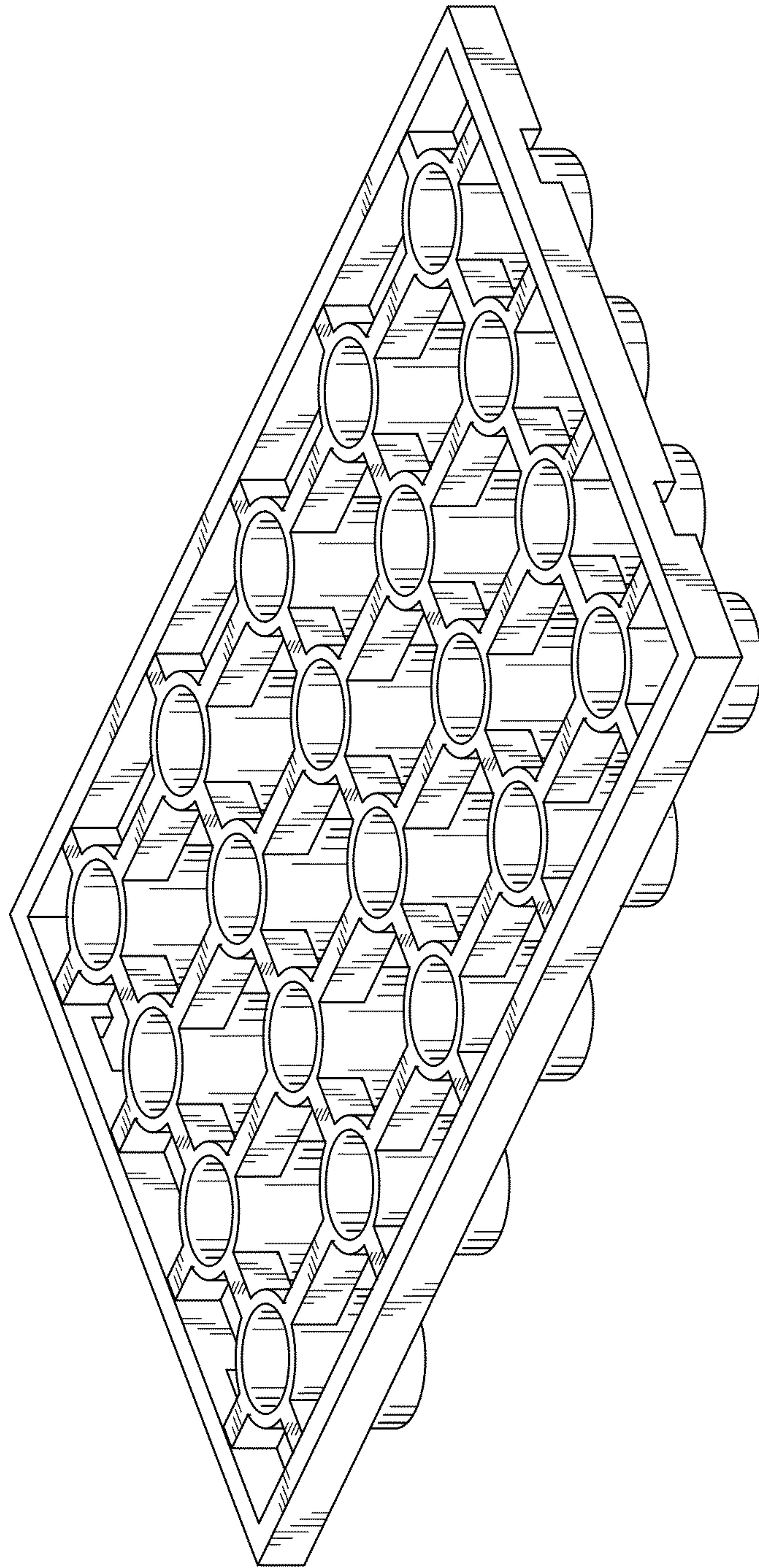


Fig. 10

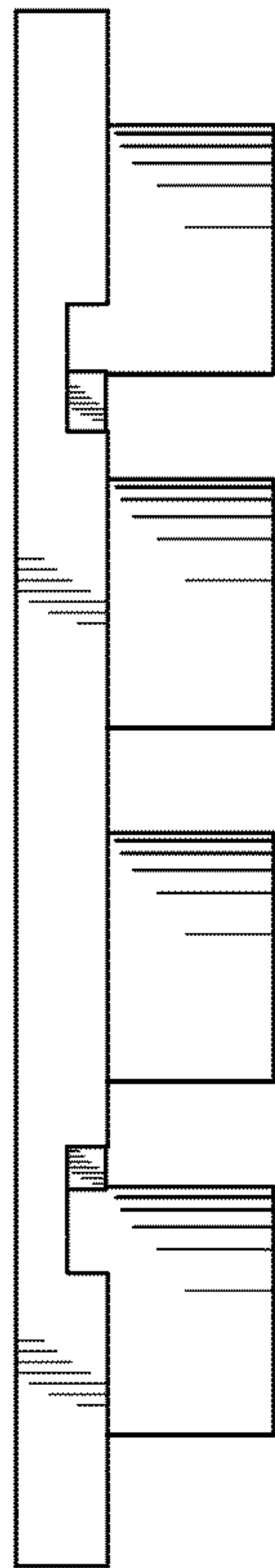


Fig. 11

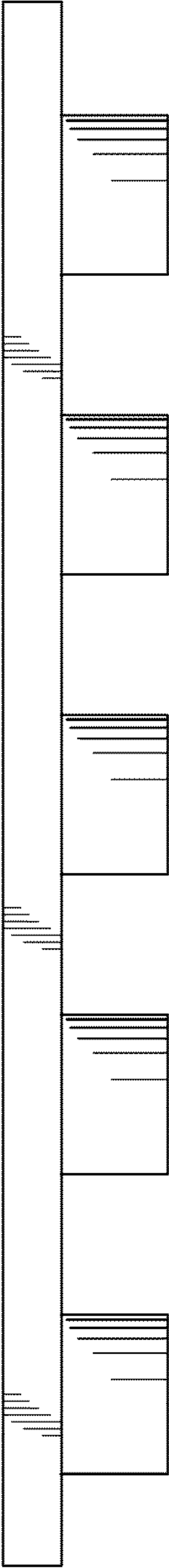


Fig. 12

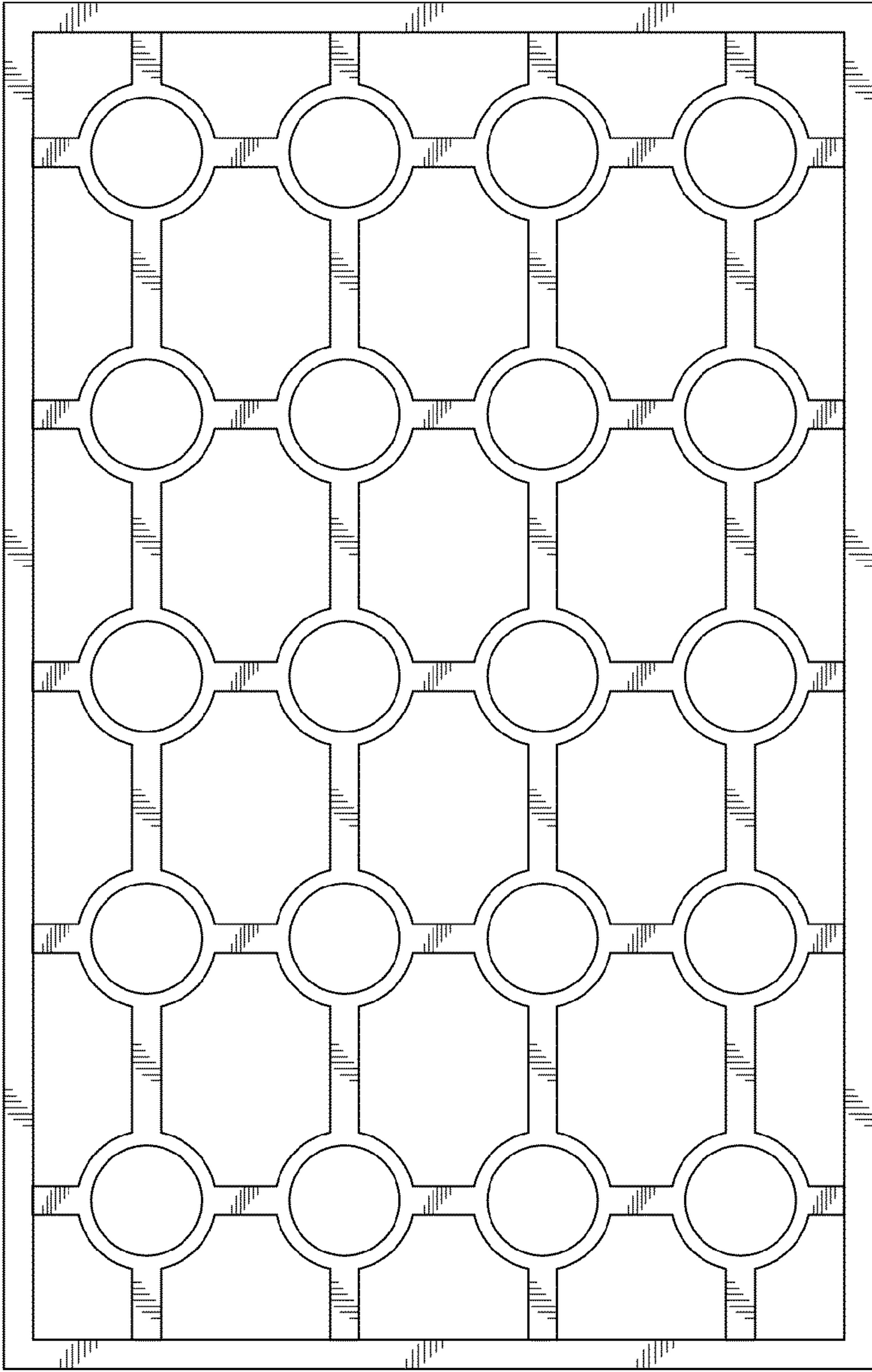


Fig. 13

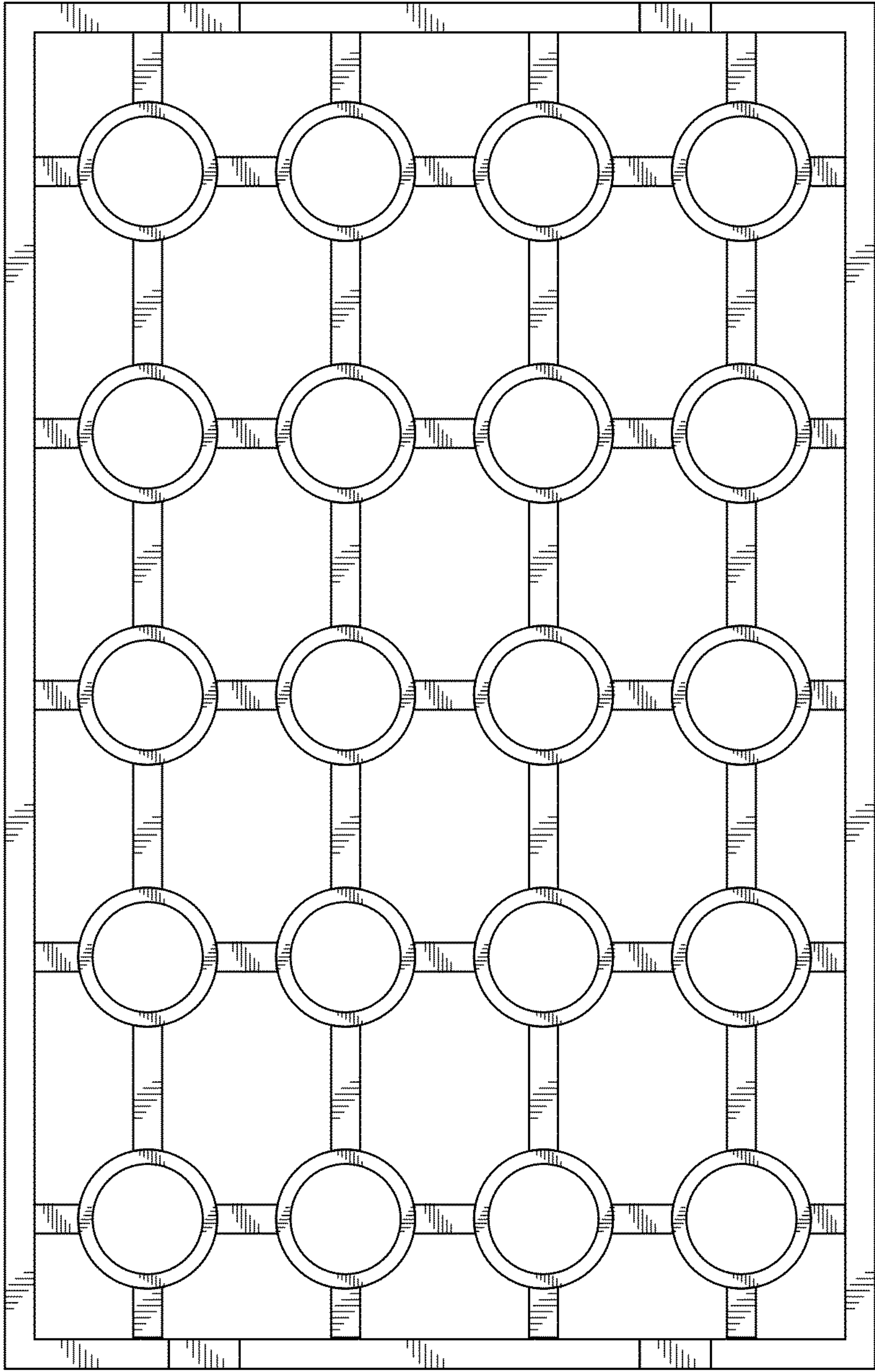


Fig. 14

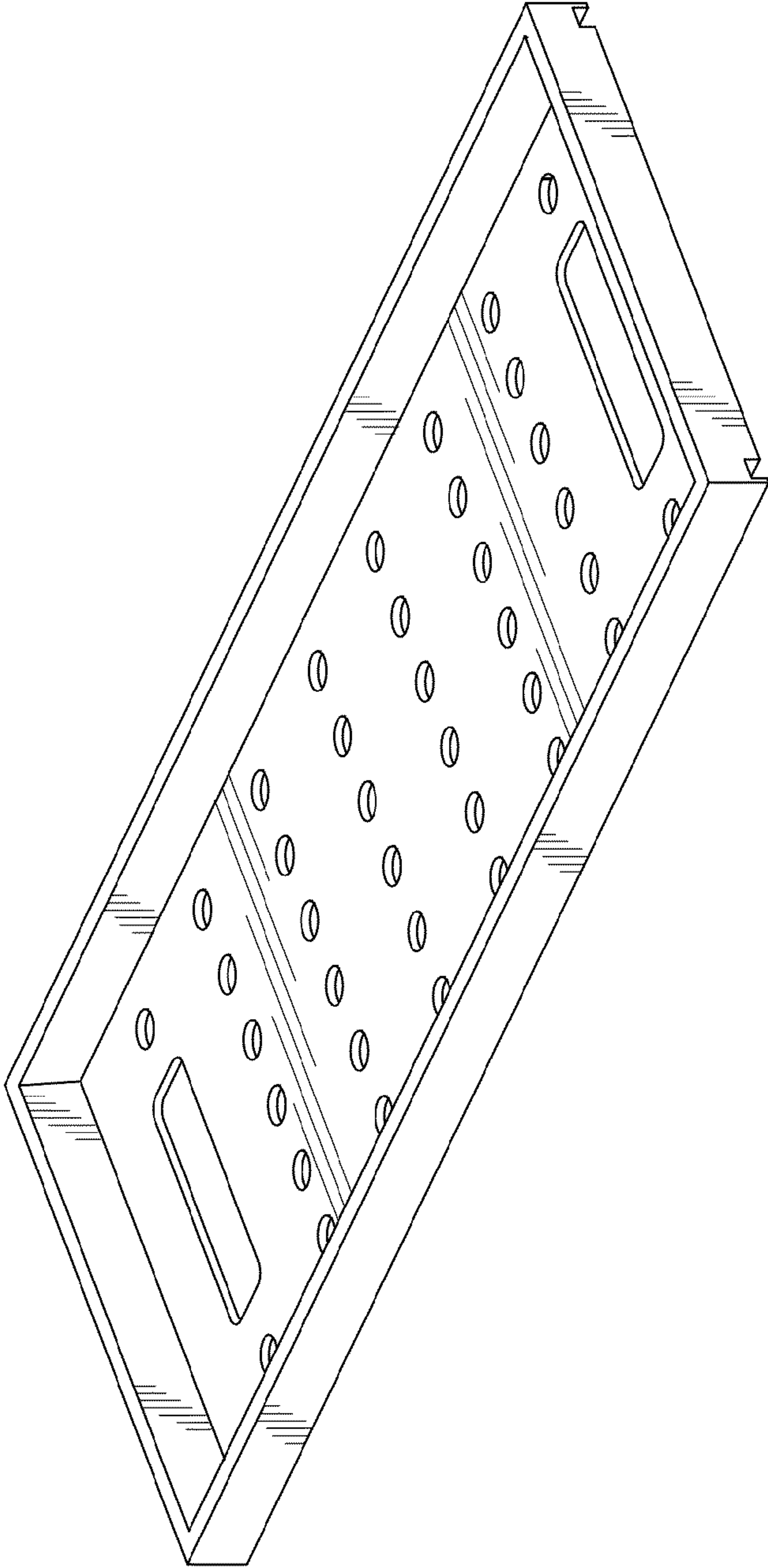


Fig. 15

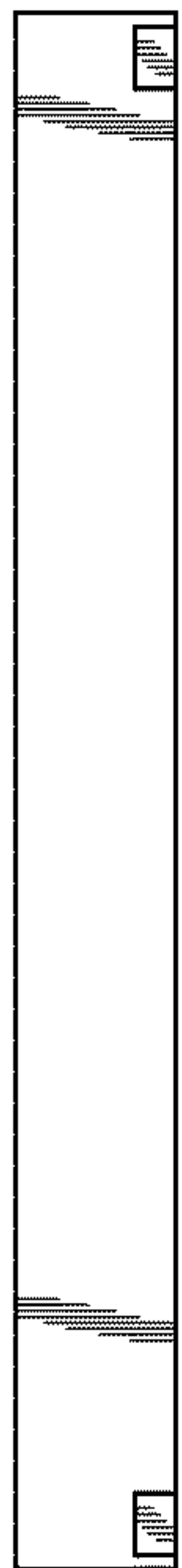


Fig. 16

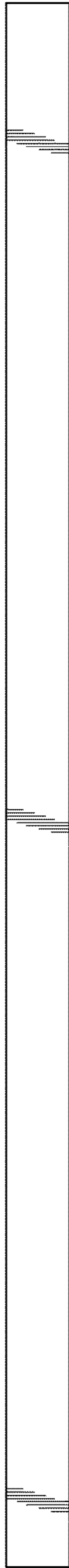


Fig. 17

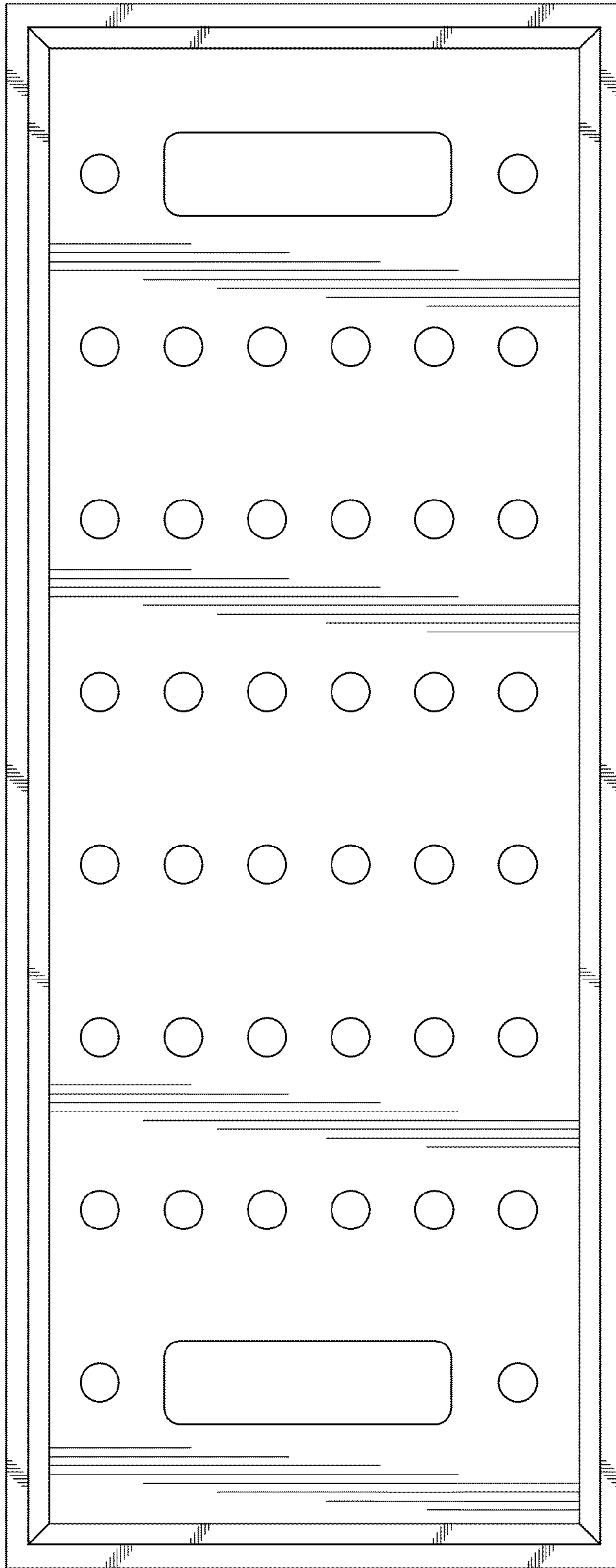


Fig. 18

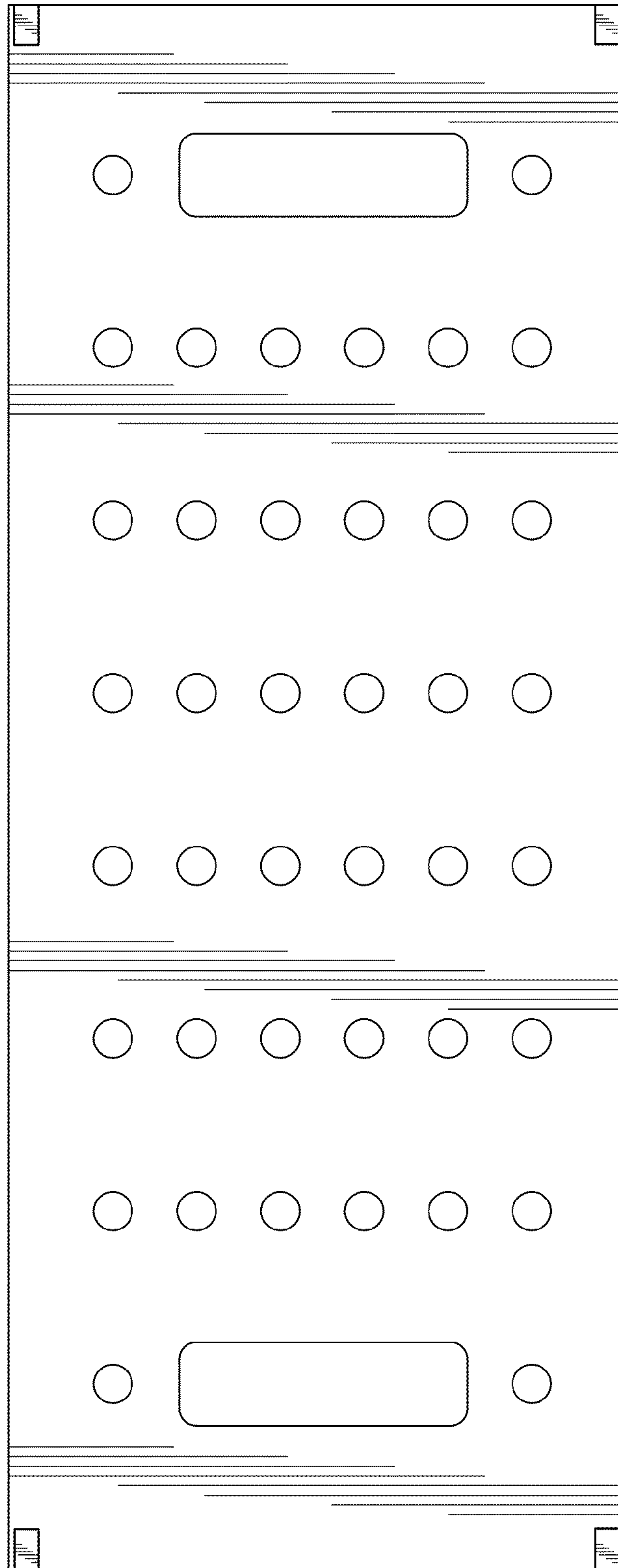


Fig. 19

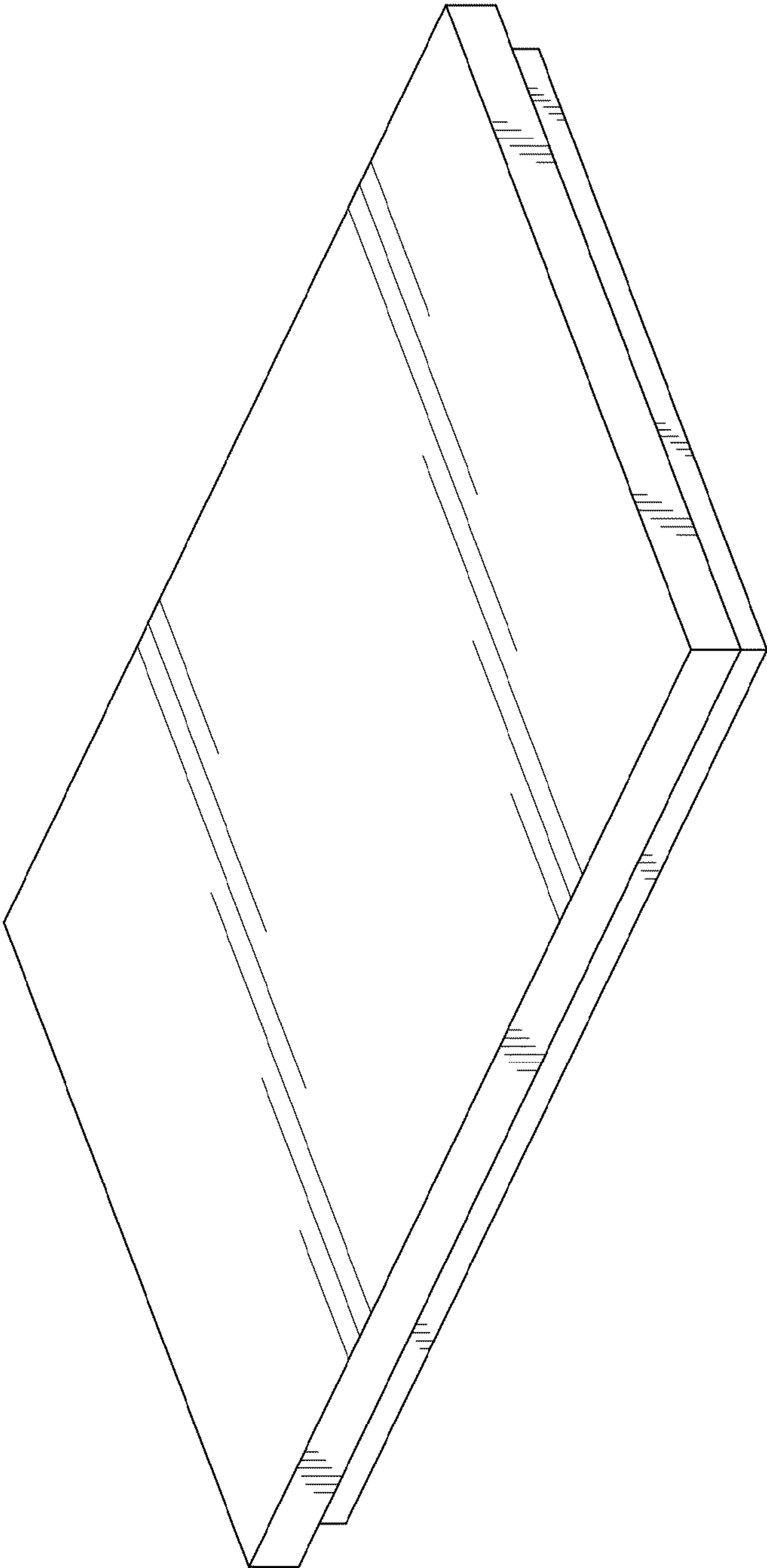


Fig. 20

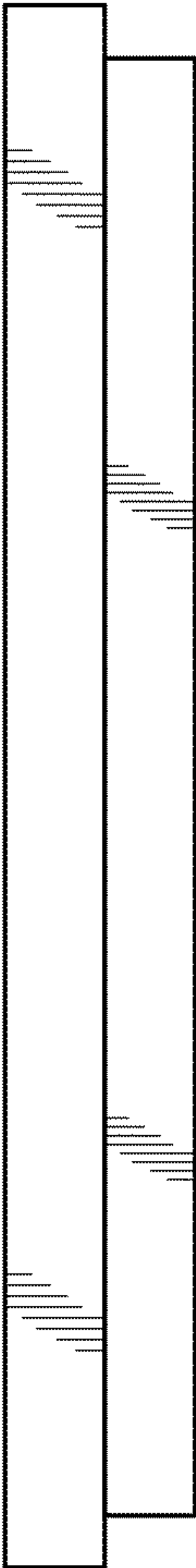


Fig. 21

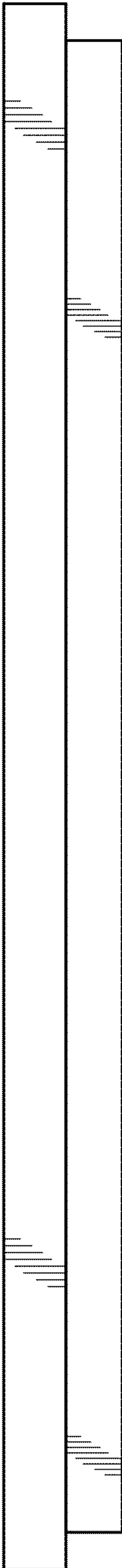


Fig. 22

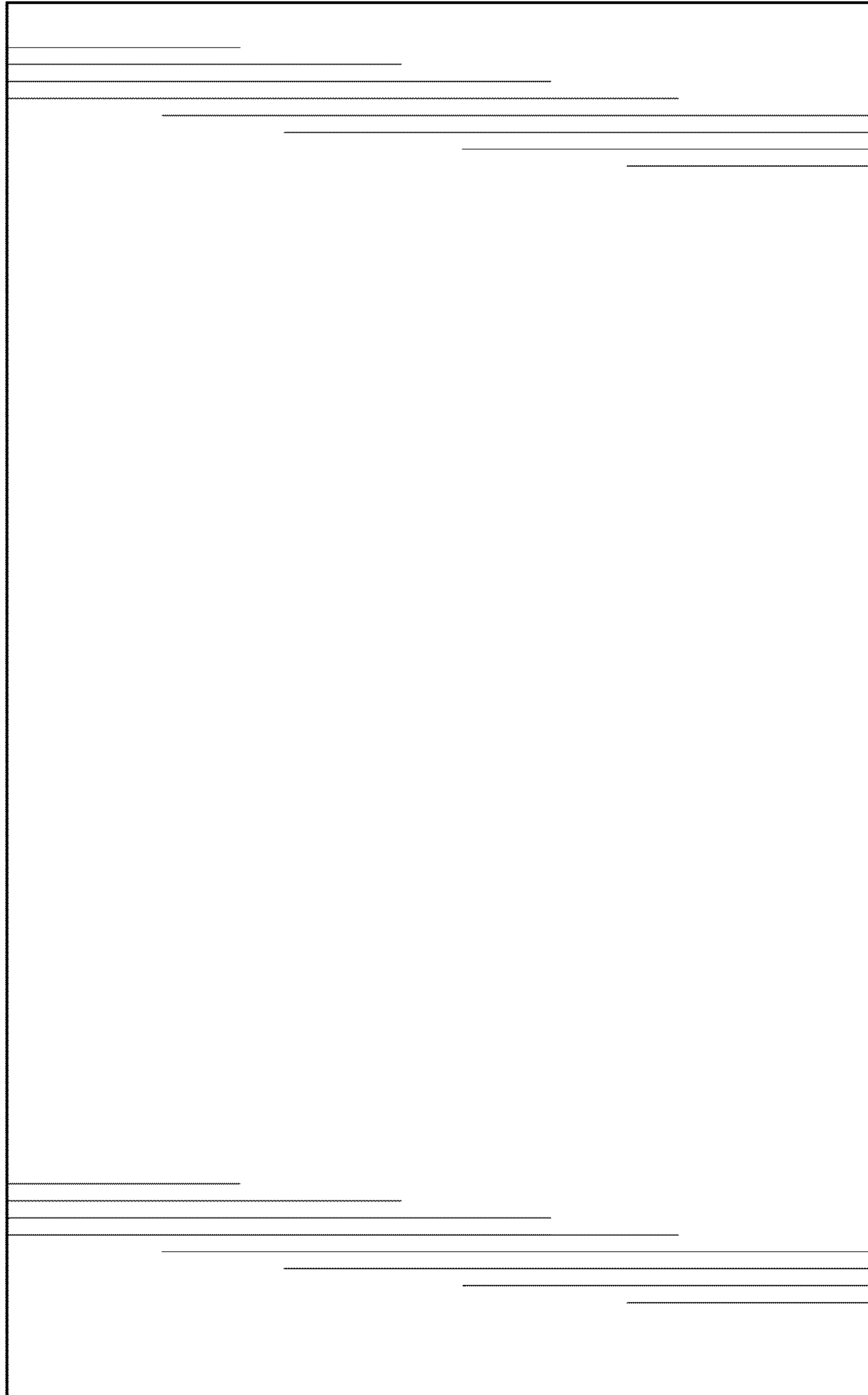


Fig. 23

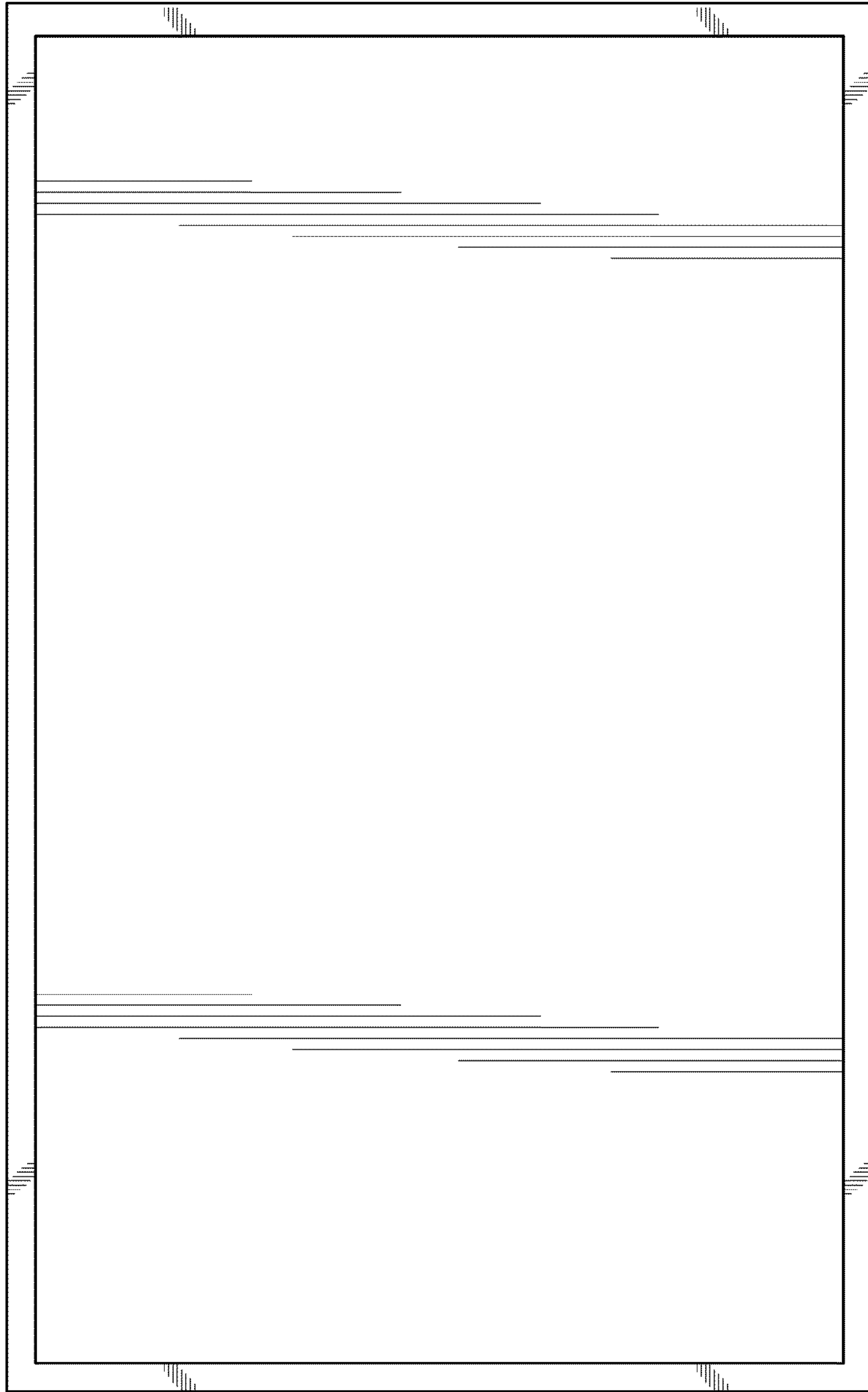


Fig. 24