



US00D709334S

(12) **United States Design Patent**
Stamatopoulos

(10) **Patent No.:** **US D709,334 S**
(45) **Date of Patent:** **** Jul. 22, 2014**

(54) **HOT LUNCH CONTAINER**

(71) Applicant: **Kimberley Stamatopoulos**, Elmhurst, IL (US)

(72) Inventor: **Kimberley Stamatopoulos**, Elmhurst, IL (US)

(**) Term: **14 Years**

(21) Appl. No.: **29/455,166**

(22) Filed: **May 17, 2013**

(51) **LOC (10) Cl.** **07-01**

(52) **U.S. Cl.**

USPC **D7/605**; D7/629; D7/630

(58) **Field of Classification Search**

USPC D7/605-608, 629, 630; 220/592.2, 220/592.21, 592.22, 592.23, 592.26, 220/592.27, 915.1, 915.2; 62/457.1-457.9, 62/371, 372; D9/424-432

See application file for complete search history.

(56) **References Cited**

U.S. PATENT DOCUMENTS

D284,254 S * 6/1986 Carlson D7/629
5,058,397 A * 10/1991 MacDonald 62/457.2
5,300,333 A 4/1994 Wilkerson et al.
D357,161 S * 4/1995 Booten D7/605
D401,479 S * 11/1998 Norman et al. D7/605

D418,021 S * 12/1999 Terracciano et al. D7/605
6,976,602 B1 12/2005 Maxwell
7,040,115 B1 5/2006 Lopez et al.
2007/0039969 A1 2/2007 Pittis-Moffitt

* cited by examiner

Primary Examiner — Terry Wallace

(74) *Attorney, Agent, or Firm* — Buckingham, Doolittle & Burroughs, LLC

(57) **CLAIM**

I claim the ornamental design for a hot lunch container, as shown and described.

DESCRIPTION

FIG. 1 is a perspective view of the container of the present invention in the closed position;

FIG. 2 is a top view of the container of FIG. 1 in the closed position;

FIG. 3 is a front elevational view of the container of FIG. 1 in the closed position;

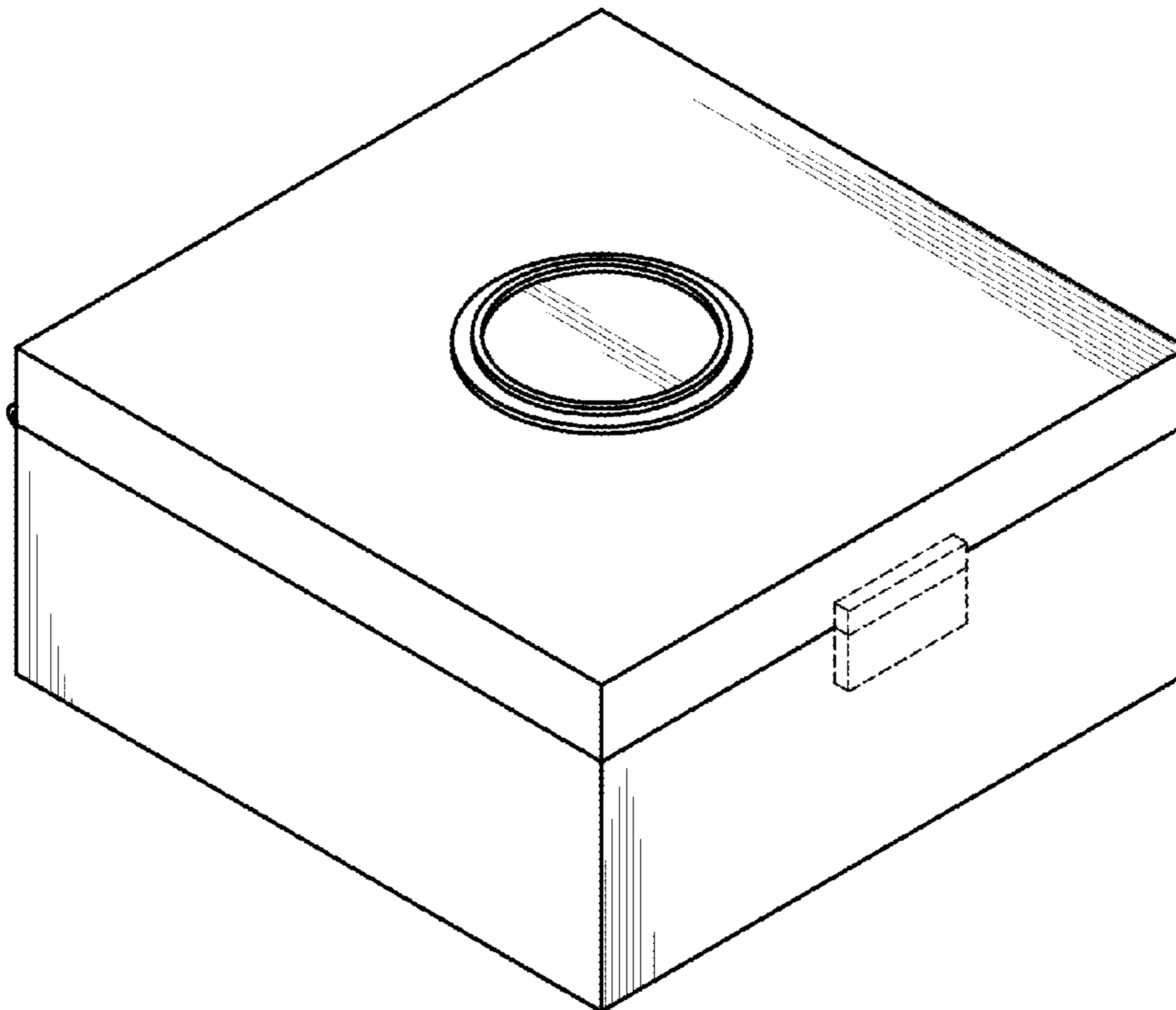
FIG. 4 is a side elevational view of the container of FIG. 1 in the closed position;

FIG. 5 is a rear elevational view of the container of FIG. 1 in the closed position; and,

FIG. 6 is perspective view of the container of FIG. 1 in the open position.

The broken lines are for illustrative purposes only and form no part of the claimed design.

1 Claim, 4 Drawing Sheets



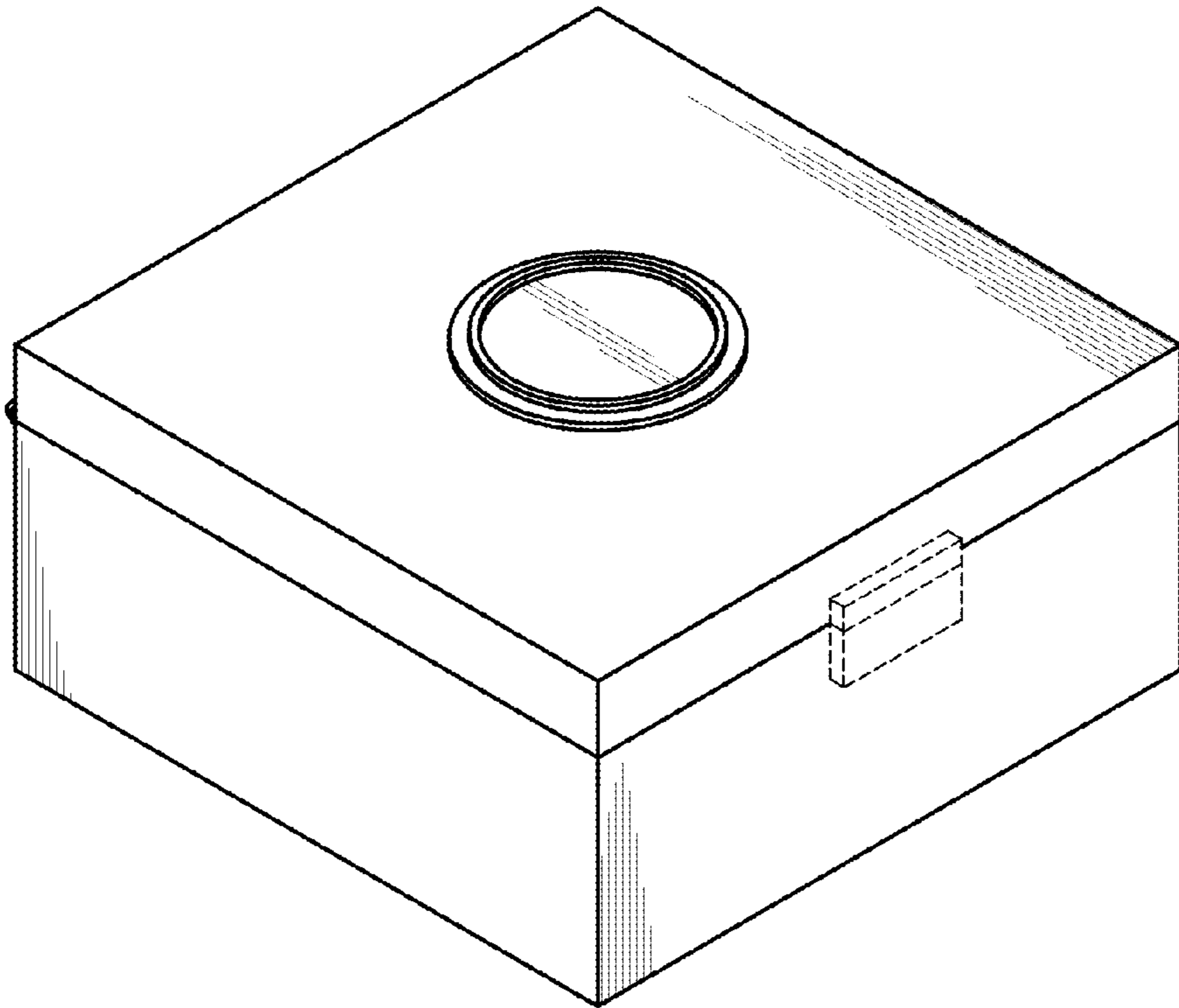


FIG. 1

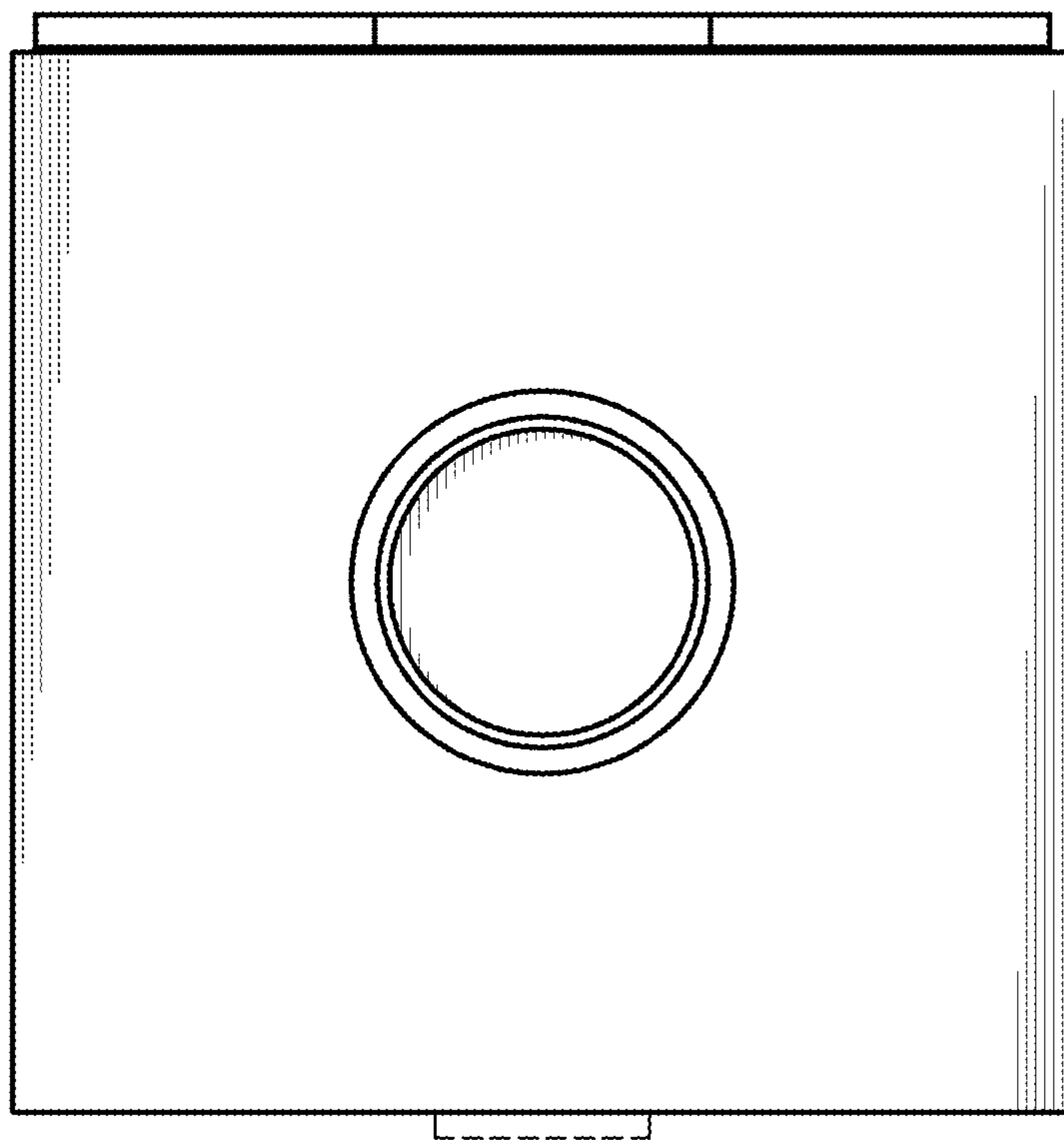


FIG. 2

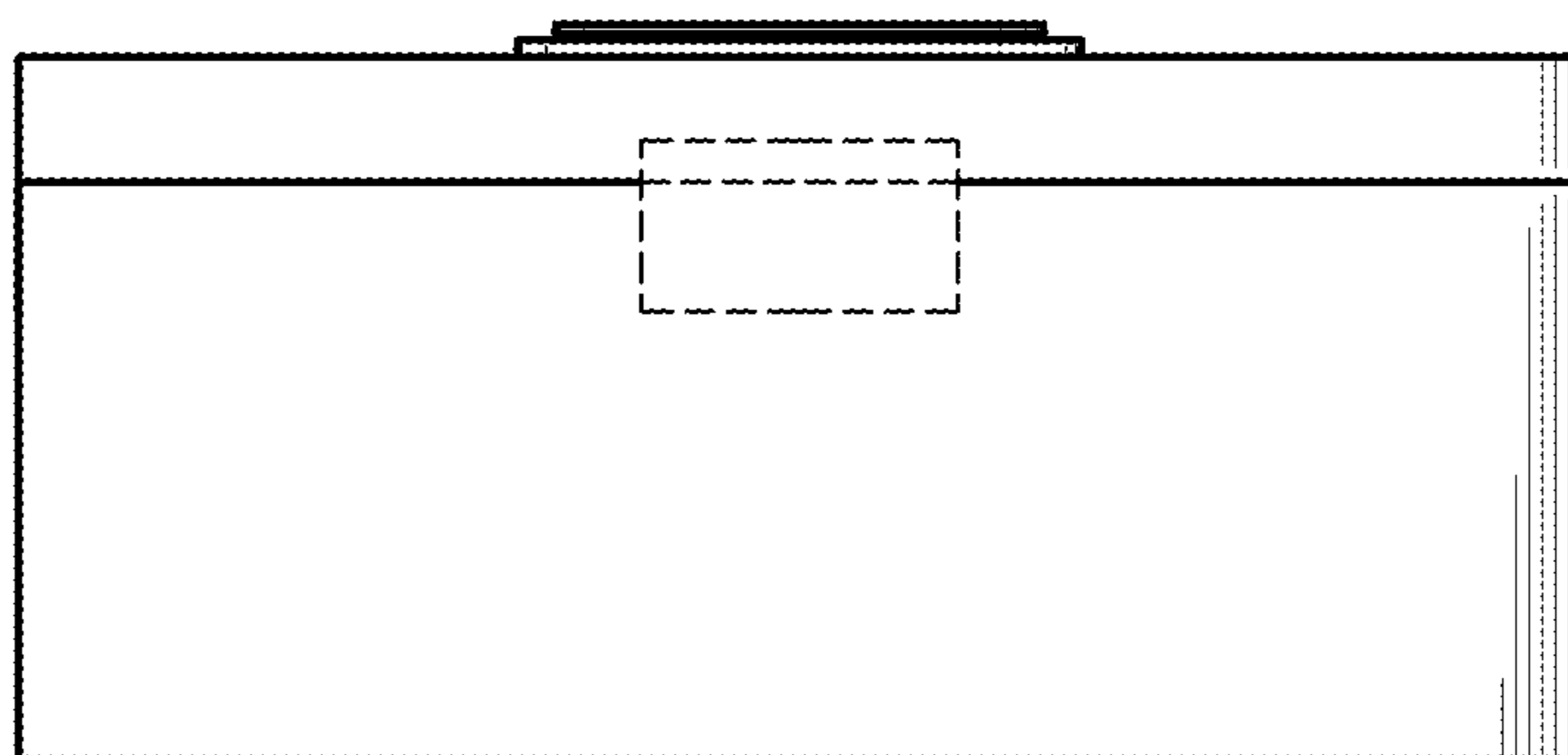


FIG. 3

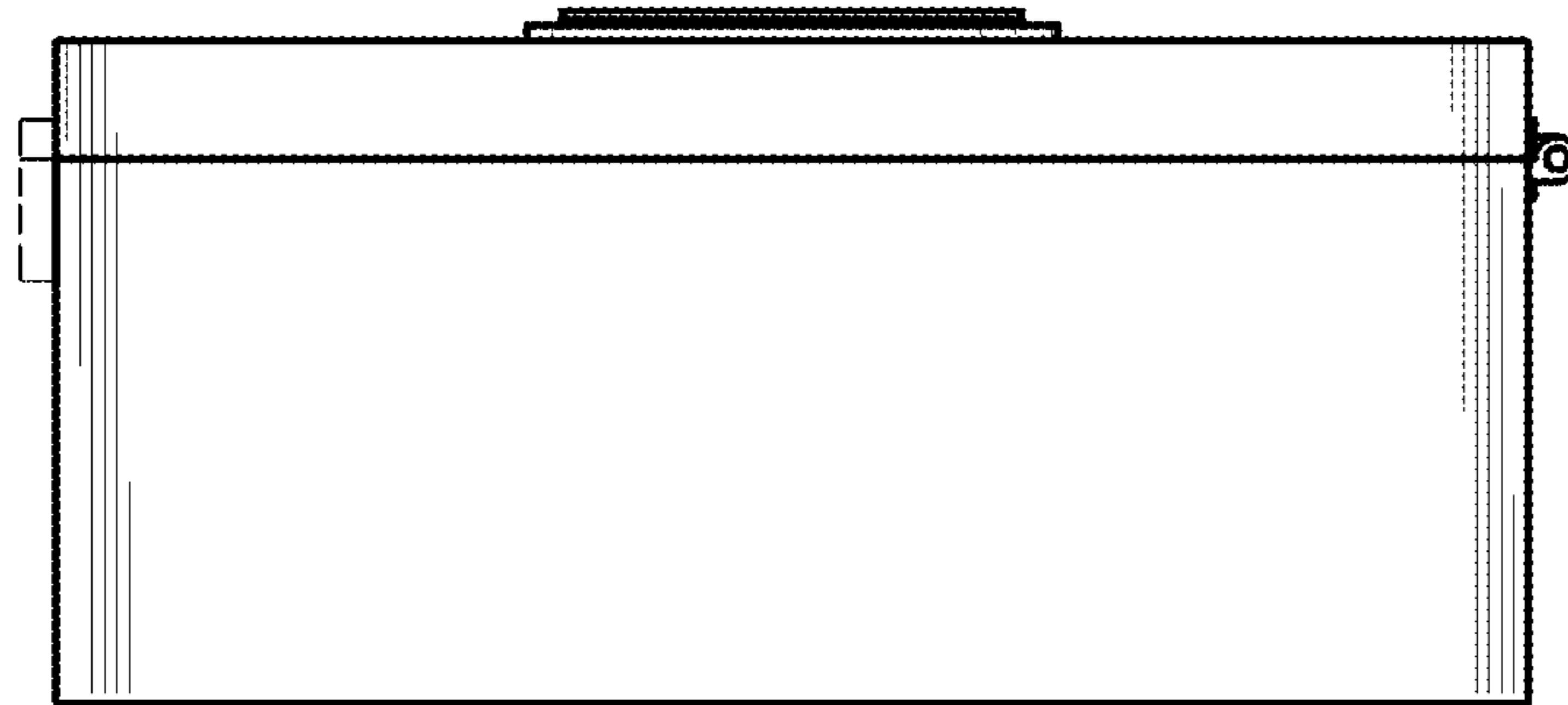


FIG. 4

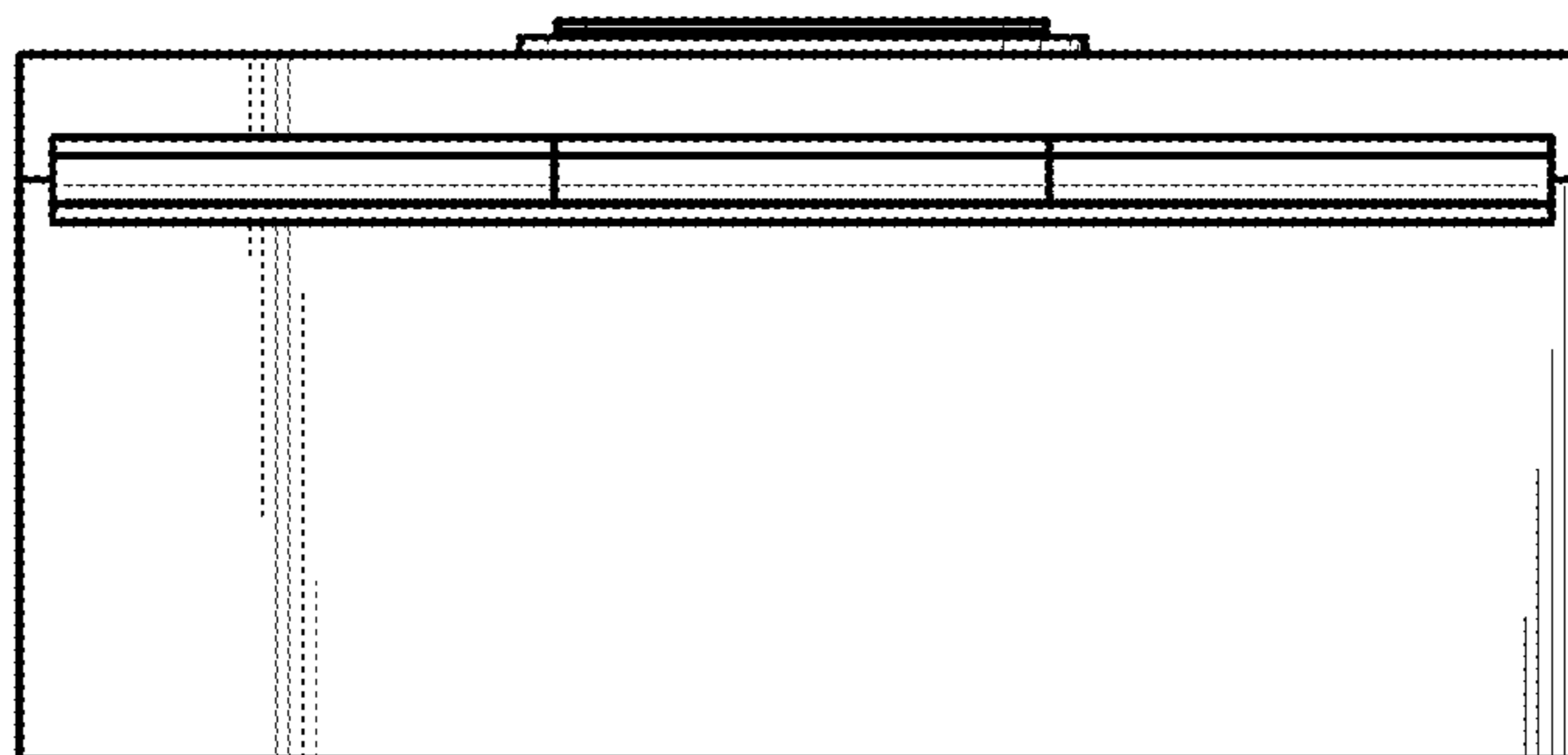


FIG. 5

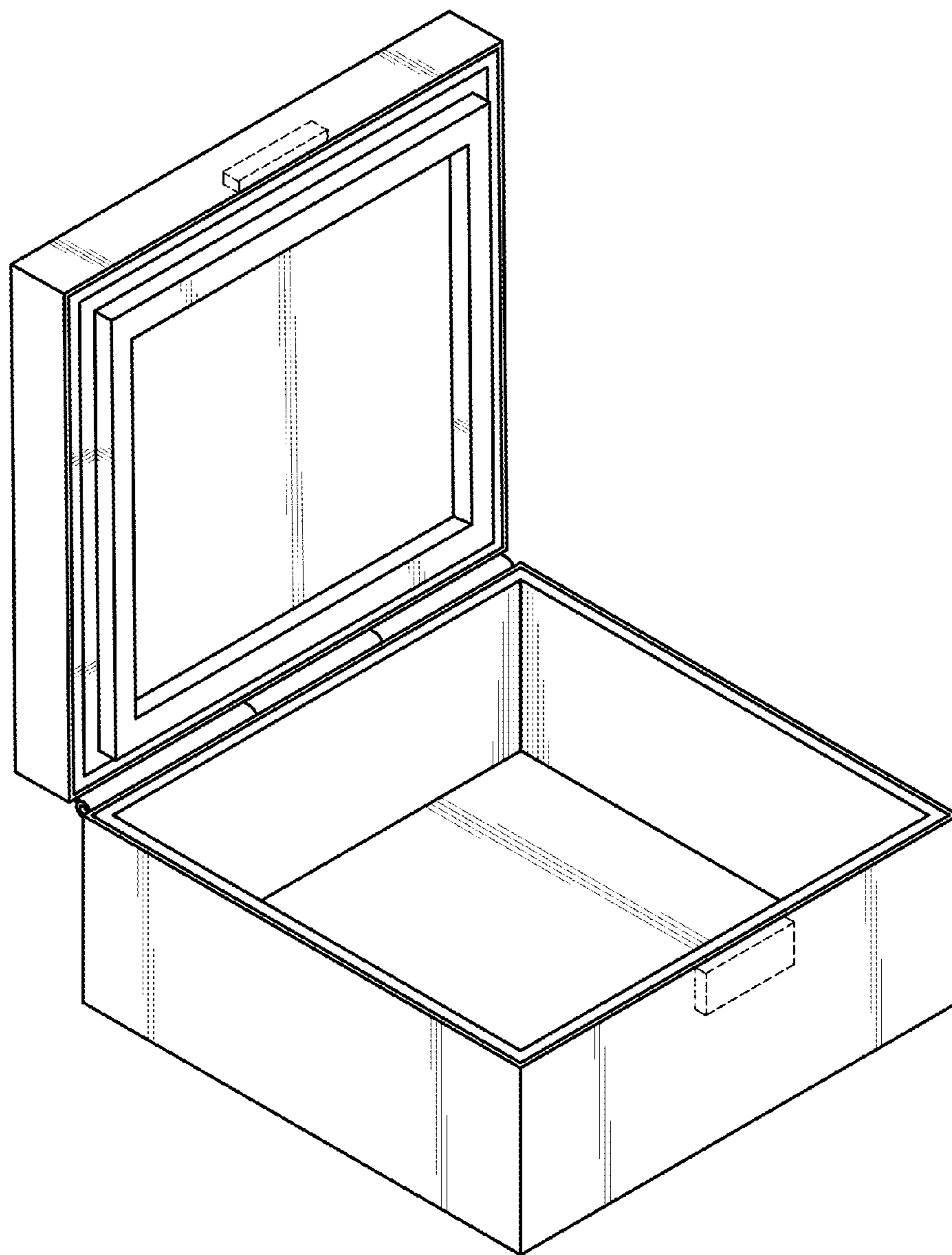


FIG. 6