



US00D709333S

(12) **United States Design Patent**
Stamatopoulos

(10) **Patent No.:** **US D709,333 S**

(45) **Date of Patent:** **** Jul. 22, 2014**

(54) **HOT LUNCH CONTAINER**

(71) Applicant: **Kimberley Stamatopoulos**, Elmhurst,
IL (US)

(72) Inventor: **Kimberley Stamatopoulos**, Elmhurst,
IL (US)

(**) Term: **14 Years**

(21) Appl. No.: **29/455,161**

(22) Filed: **May 17, 2013**

(51) **LOC (10) Cl.** **07-01**

(52) **U.S. Cl.**
USPC **D7/605**; D7/629; D7/630

(58) **Field of Classification Search**
USPC D7/605-608, 629, 630; 220/592.2,
220/592.21, 592.22, 592.23, 592.26,
220/592.27, 915.1, 915.2; 62/457.1-457.9,
62/371, 372; D9/424-432
See application file for complete search history.

(56) **References Cited**

U.S. PATENT DOCUMENTS

D284,254	S	*	6/1986	Carlson	D7/629
D307,226	S	*	4/1990	Baker	D7/605
5,058,397	A	*	10/1991	MacDonald	62/457.2
5,300,333	A	*	4/1994	Wilkerson et al.		
5,365,739	A	*	11/1994	Fetterly	62/3.62
D357,161	S	*	4/1995	Booten	D7/605
D401,479	S	*	11/1998	Norman et al.	D7/605

D418,021	S	*	12/1999	Terracciano et al.	D7/605
6,976,602	B1		12/2005	Maxwell		
7,040,115	B1		5/2006	Lopez et al.		
2007/0039969	A1		2/2007	Pittis-Moffitt		

* cited by examiner

Primary Examiner — Terry Wallace

(74) *Attorney, Agent, or Firm* — Buckingham, Doolittle & Burroughs, LLC

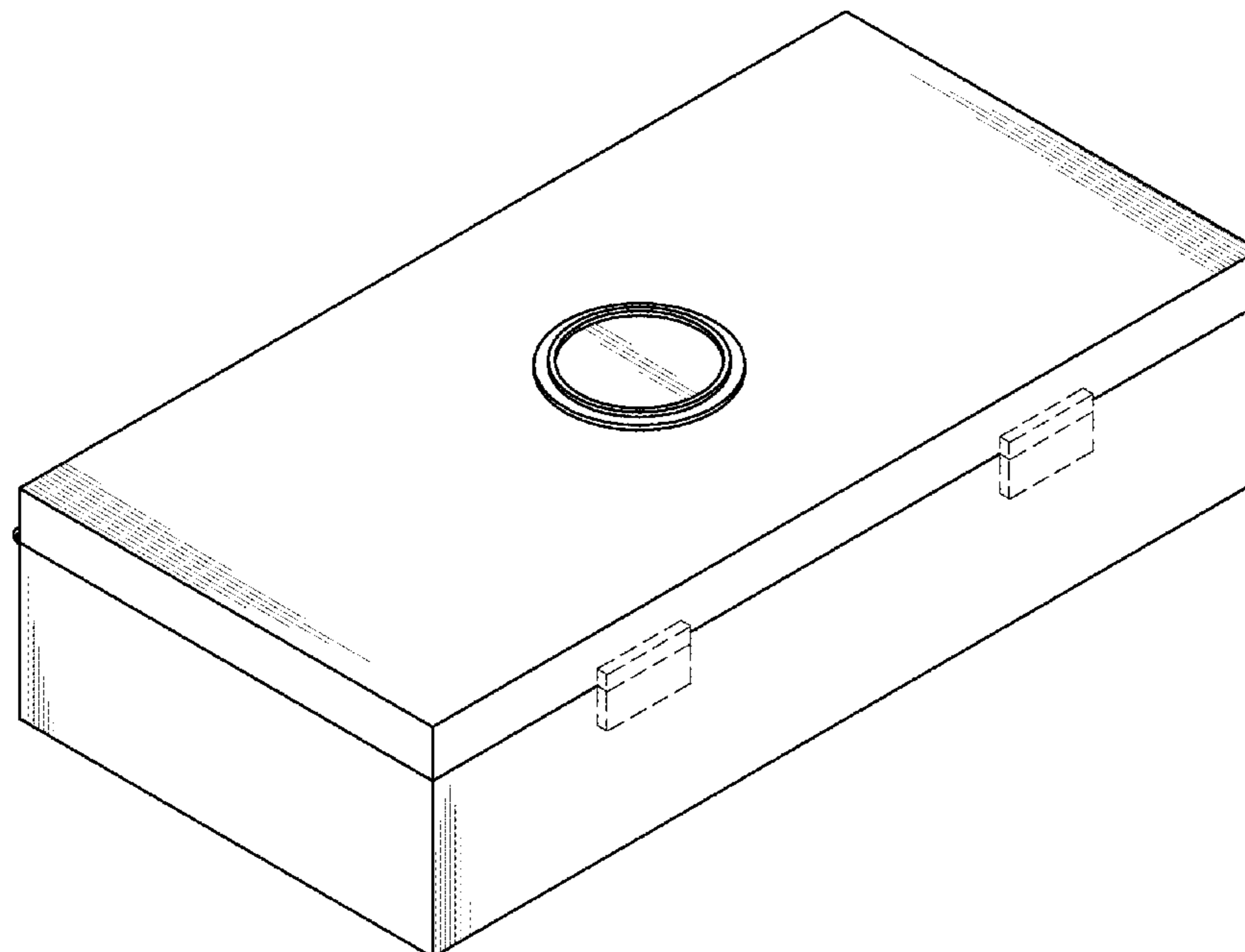
(57) **CLAIM**

I claim the ornamental design for a hot lunch container, as shown and described.

DESCRIPTION

FIG. 1 is a perspective view of the container of the present invention in the closed position;
 FIG. 2 is a top view of the container of FIG. 1 in the closed position;
 FIG. 3 is a front elevational view of the container of FIG. 1 in the closed position;
 FIG. 4 is a rear elevational view of the container of FIG. 1 in the closed position;
 FIG. 5 is a right side elevational view of the container of FIG. 1 in the closed position;
 FIG. 6 is a left side elevational view of the container of FIG. 1 in the closed position; and,
 FIG. 7 is a perspective view of the container of FIG. 1 in the open position.
 The broken lines are for illustrative purposes only and form no part of the claimed design.

1 Claim, 5 Drawing Sheets



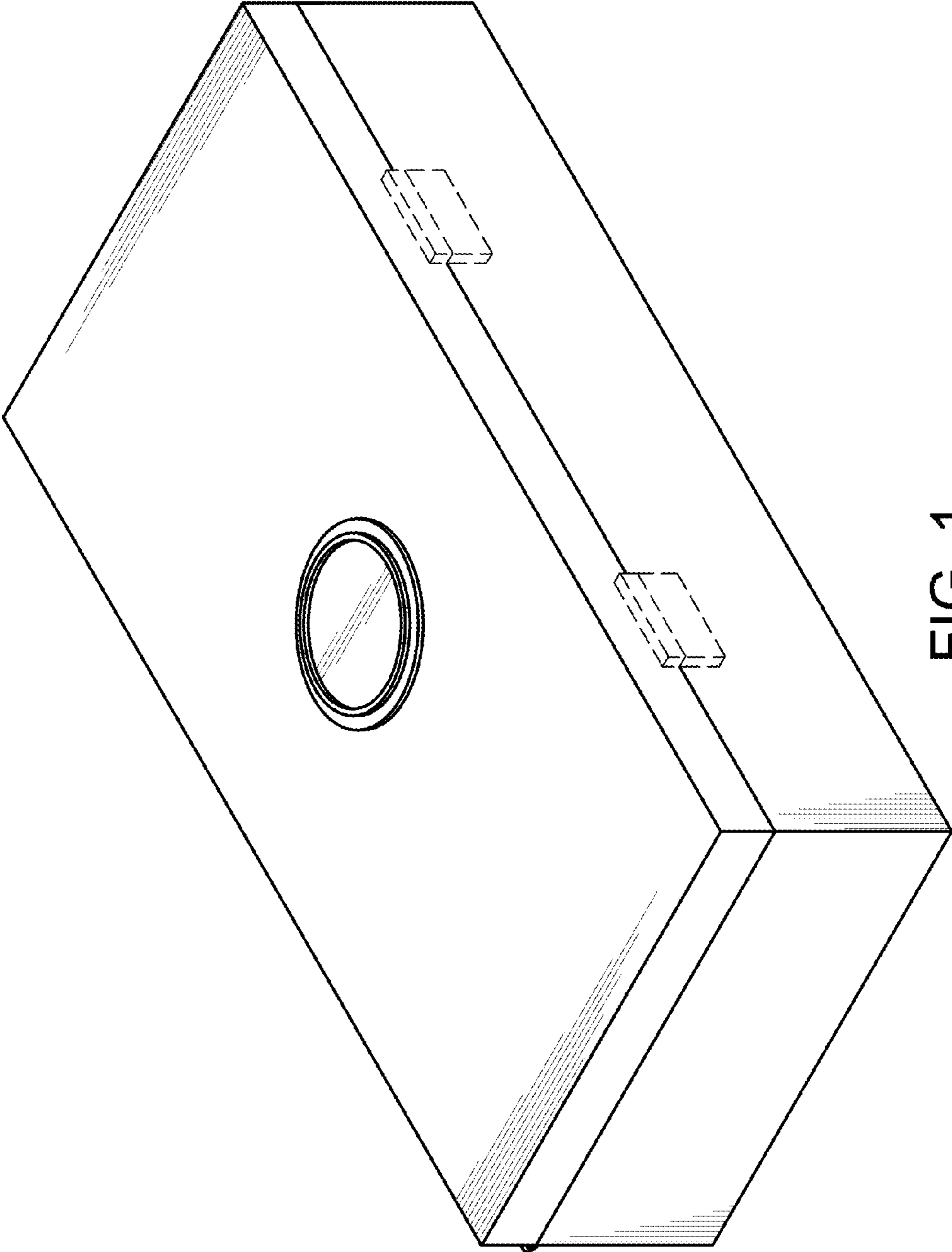


FIG. 1

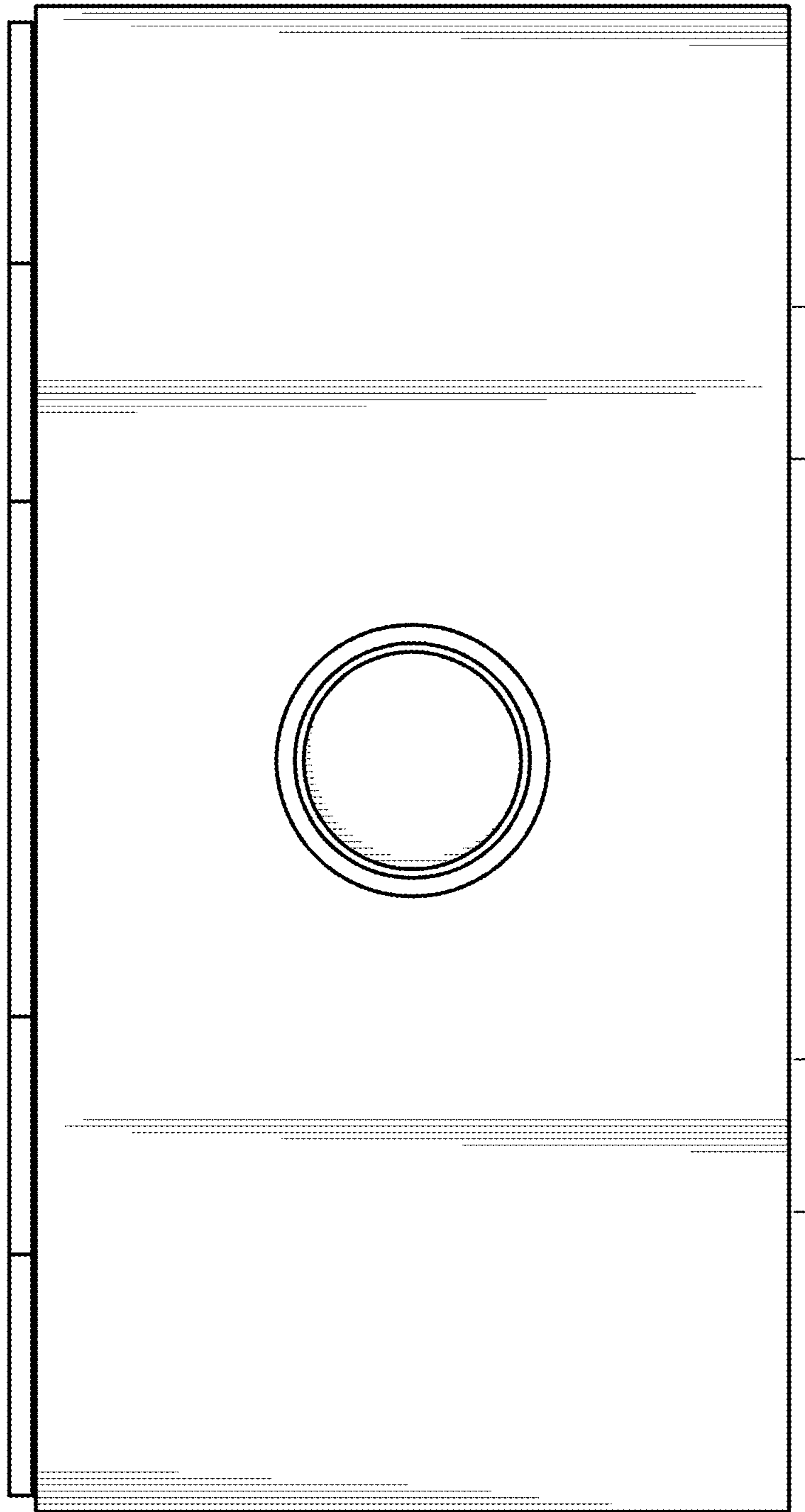


FIG. 2

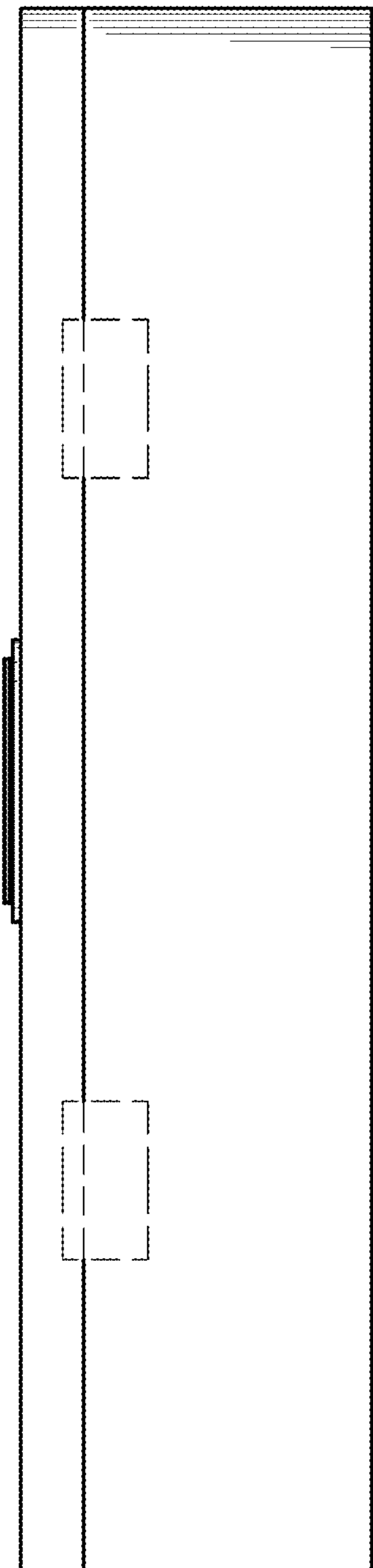


FIG. 3



FIG. 4

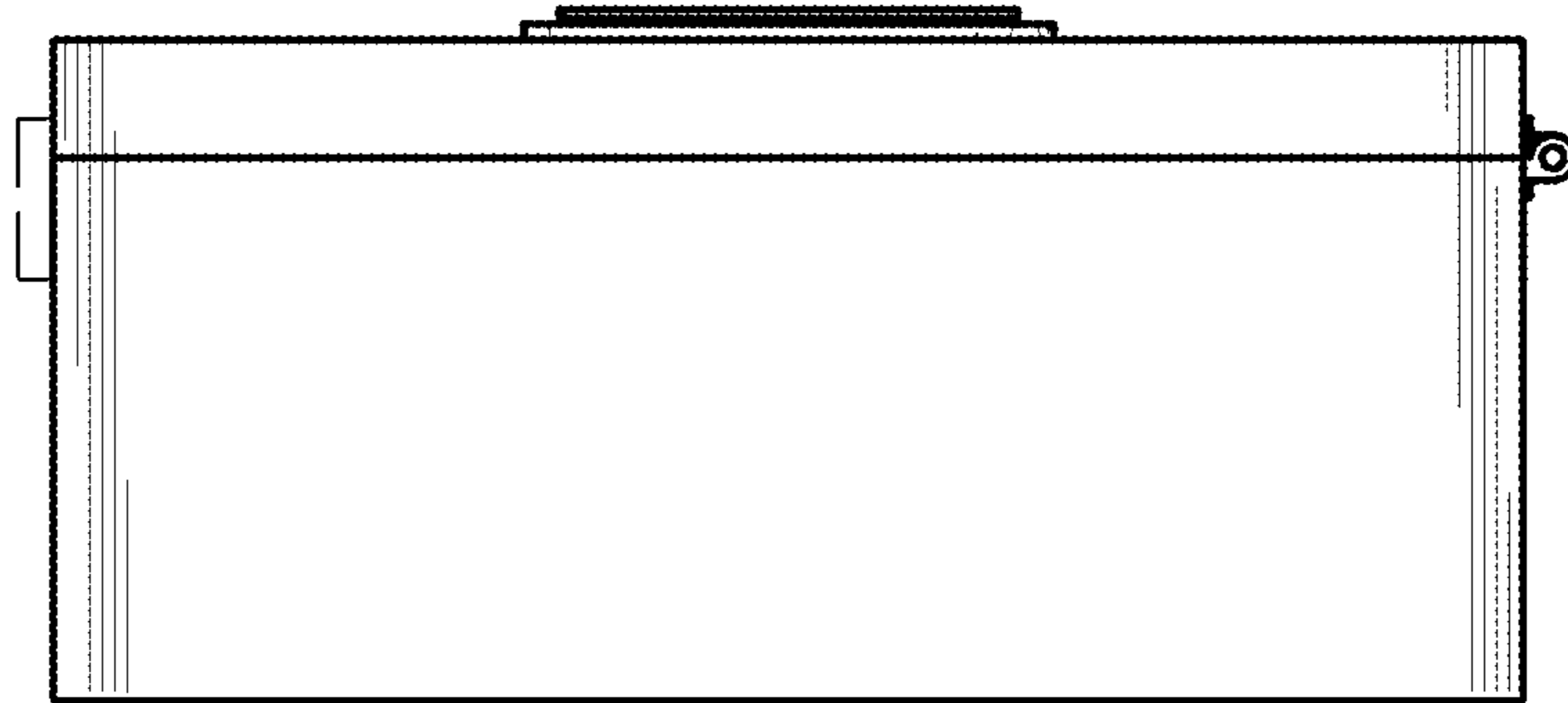


FIG. 5

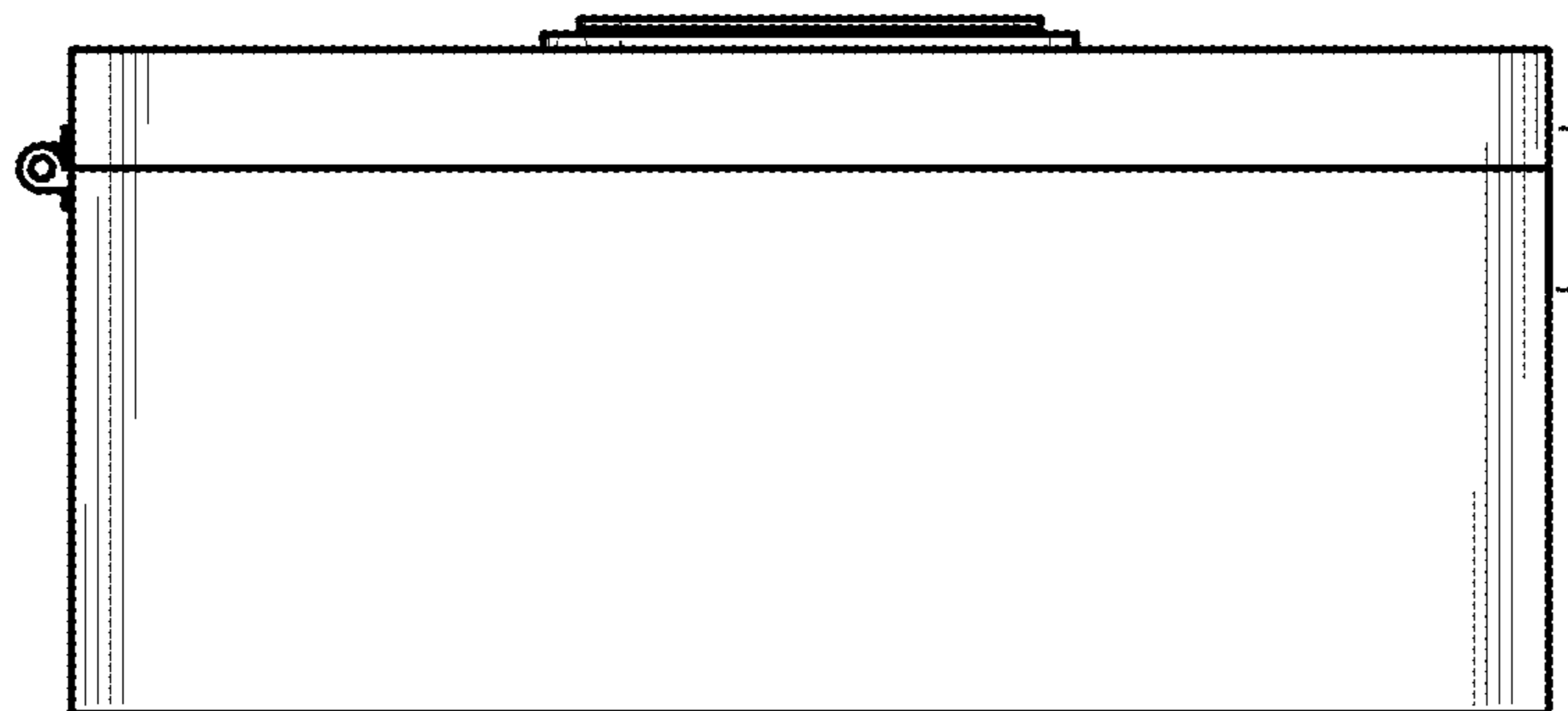


FIG. 6

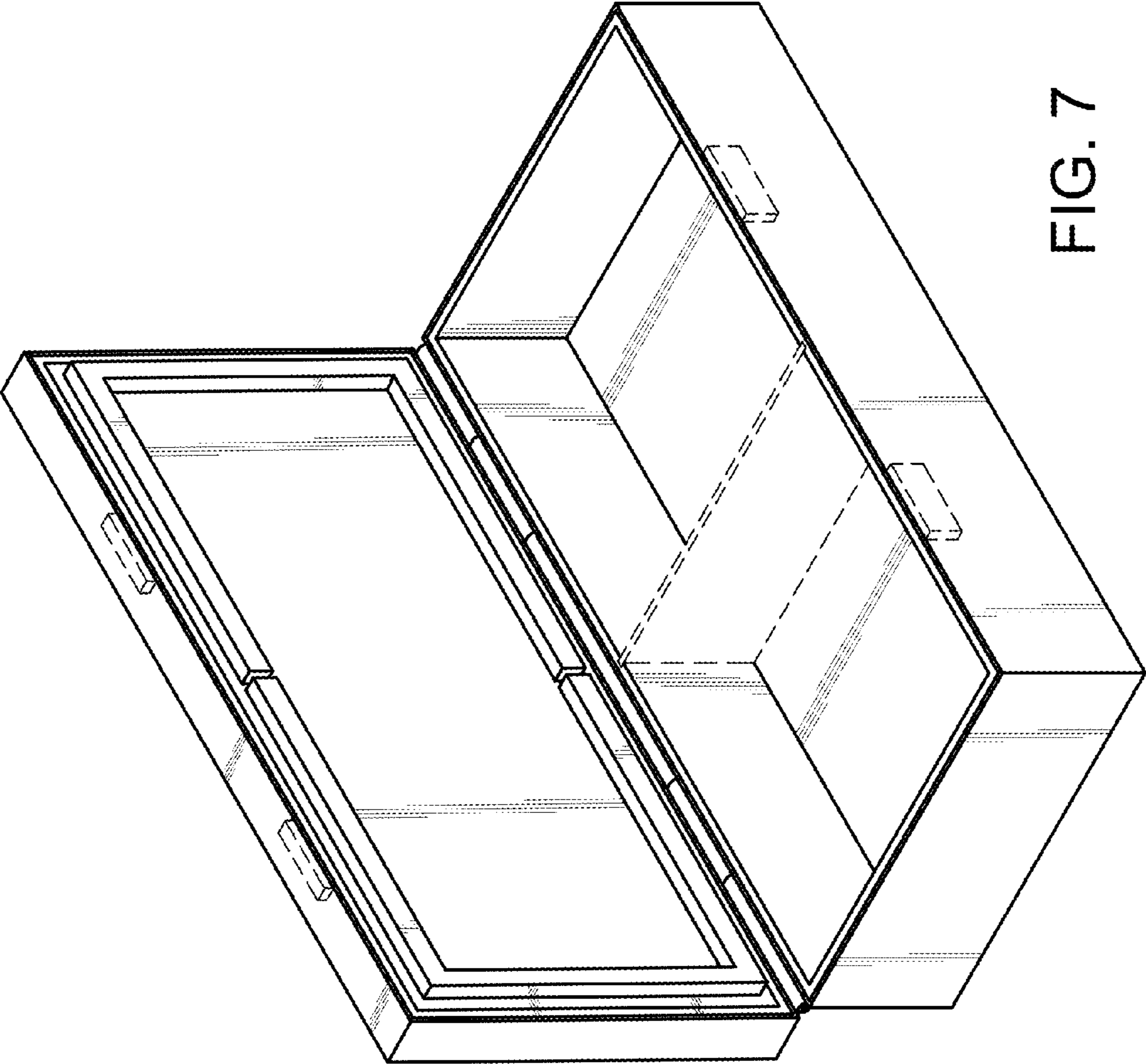


FIG. 7