



US00D709331S

(12) **United States Design Patent**
Ruotsalainen

(10) **Patent No.:** **US D709,331 S**
(45) **Date of Patent:** **** Jul. 22, 2014**

(54) **CUP**

(71) Applicant: **Marimekko Oyj**, Helsinki (FI)
(72) Inventor: **Sami Ruotsalainen**, Helsinki (FI)
(73) Assignee: **Marimekko Oyj**, Helsinki (FI)
(**) Term: **14 Years**
(21) Appl. No.: **29/434,841**
(22) Filed: **Oct. 17, 2012**

(30) **Foreign Application Priority Data**

Sep. 14, 2012 (EM) 002103200-0001

(51) **LOC (10) Cl.** **07-01**

(52) **U.S. Cl.**
USPC **D7/536**

(58) **Field of Classification Search**
USPC D3/202; D7/213, 305, 392.1, 396.2,
D7/505, 507, 509, 510, 511, 523, 528, 532,
D7/533, 536; D9/780; 220/703, 705, 710,
220/713
See application file for complete search history.

(56) **References Cited**

U.S. PATENT DOCUMENTS

D217,011 S * 3/1970 Hardie D7/622
D293,293 S * 12/1987 Isles D7/536
D382,173 S * 8/1997 Cogswell D7/507
D396,381 S * 7/1998 Chung D7/510

FOREIGN PATENT DOCUMENTS

WO d071175-004 * 6/2009

OTHER PUBLICATIONS

White porcelain 3" cup by oneinahundred dated May 4, 2009. found online [Dec. 3, 2014] <http://www.oneinahundred.com/Wholesale-China/cup-and-saucer/White-porcelain-3--cup-and-dia--saucer--240292.htm>.
Wholesale—White 3 oz. fine and bone china espresso cup by oneinahundred dated Mar. 24, 2008. found online [Dec. 3, 2013] <http://www.oneinahundred.com/Wholesale-China/cup-and-saucer/White-3-oz--fine-and-bone-china-espresso-cup-and-saucer--240197.htm>.
Marimekko Siirtolapuutarha Dots Espresso Cup by Heal's dated Nov. 28, 2011. found online [Dec. 3, 2014] <http://www.heals.co.uk/breakfast/marimekko-siirtolapuutarha-dots-espresso-cup-and-plate/inv/512333>.

* cited by examiner

Primary Examiner — Robert M Spear
Assistant Examiner — Marissa Cash
(74) *Attorney, Agent, or Firm* — Myers Wolin, LLC

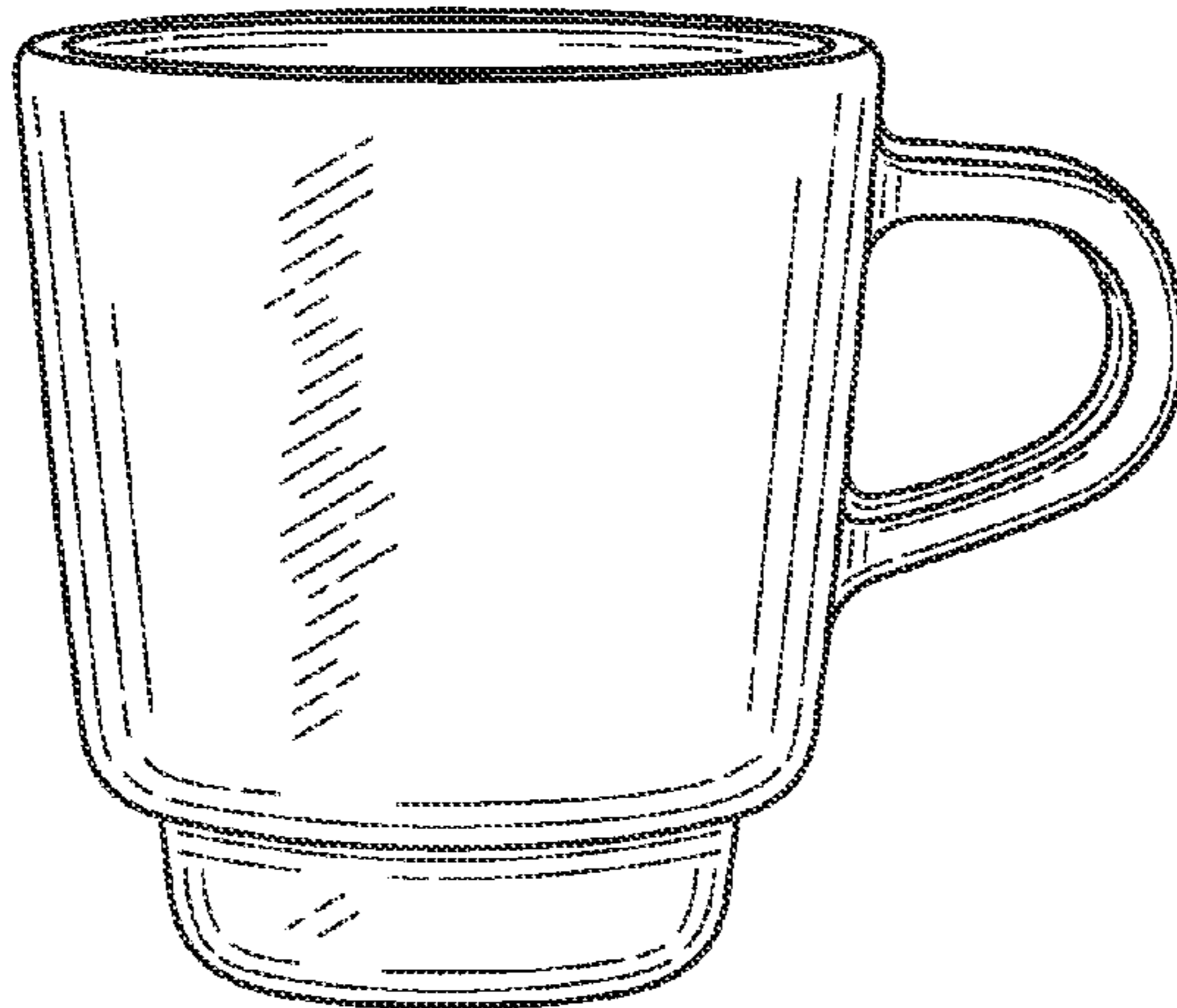
(57) **CLAIM**

The ornamental design for a cup, as shown and described.

DESCRIPTION

FIG. 1 is a side perspective view of one embodiment of a cup, showing my new design;
FIG. 2 is a top view thereof;
FIG. 3 is a right side elevation view thereof, the left side elevation being a mirror image thereof; and,
FIG. 4 is a bottom view thereof.
The broken lines in the drawings depict a boundary of the claimed design and form no part of the claim.

1 Claim, 4 Drawing Sheets



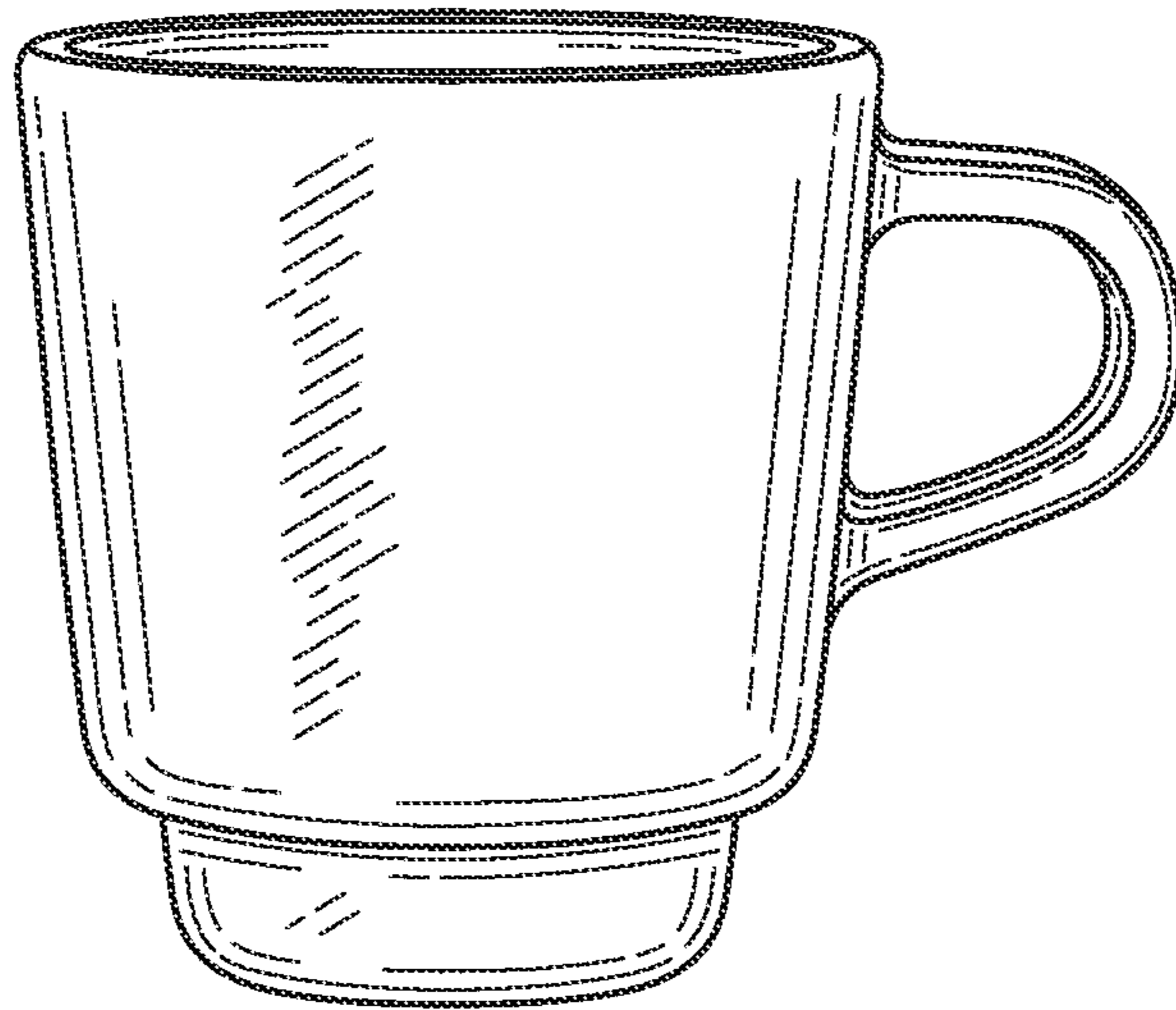


FIG. 1

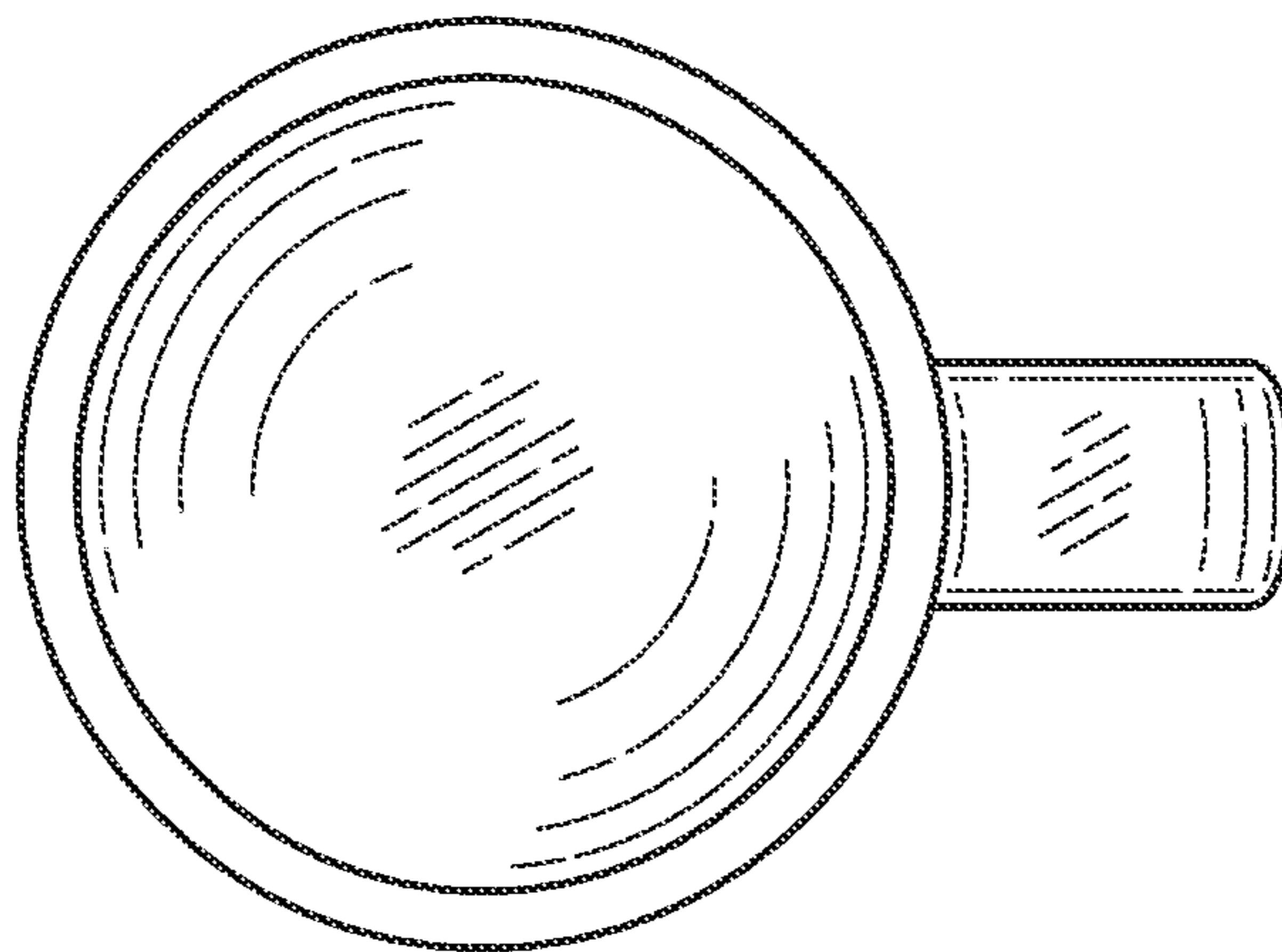


FIG. 2

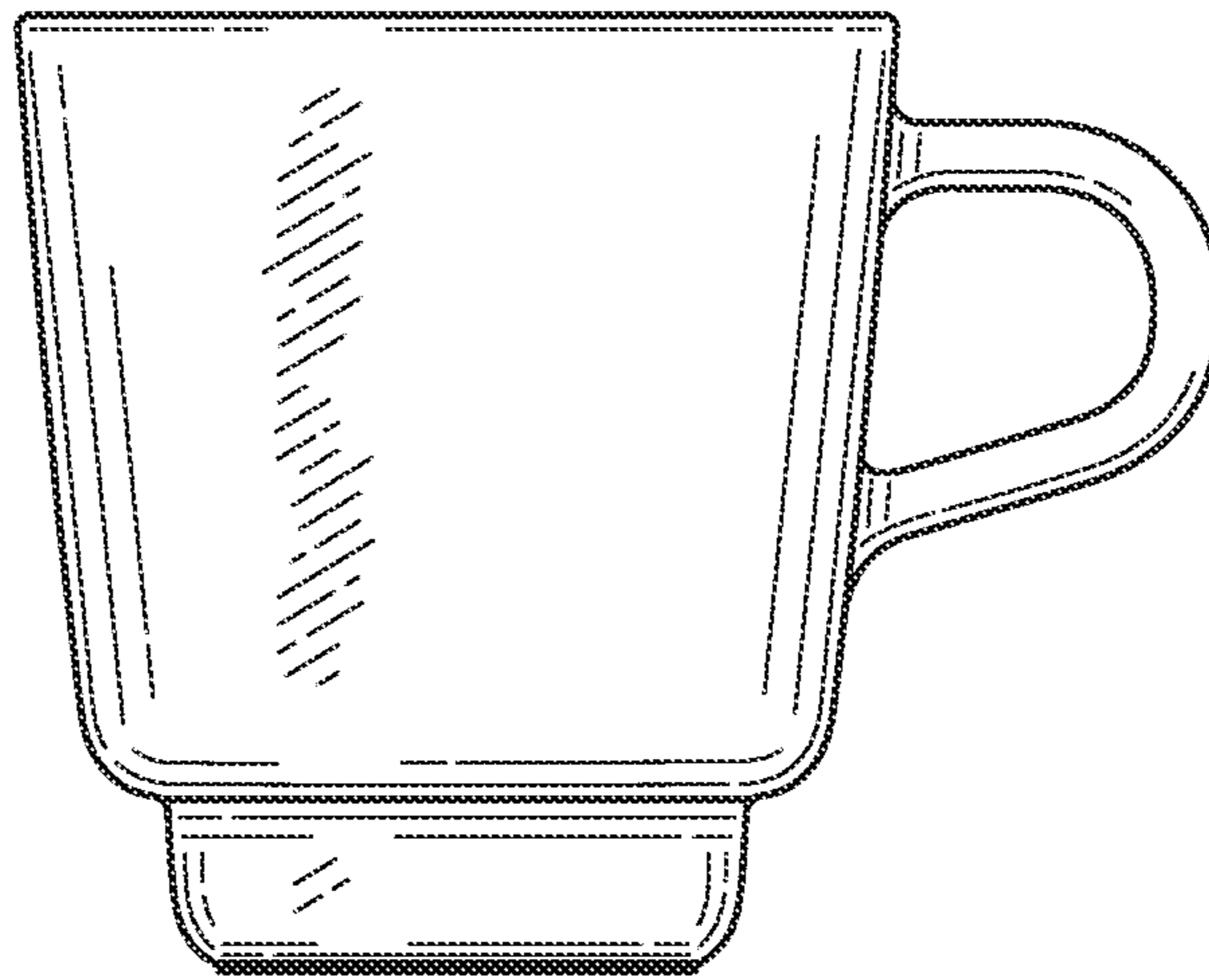


FIG. 3

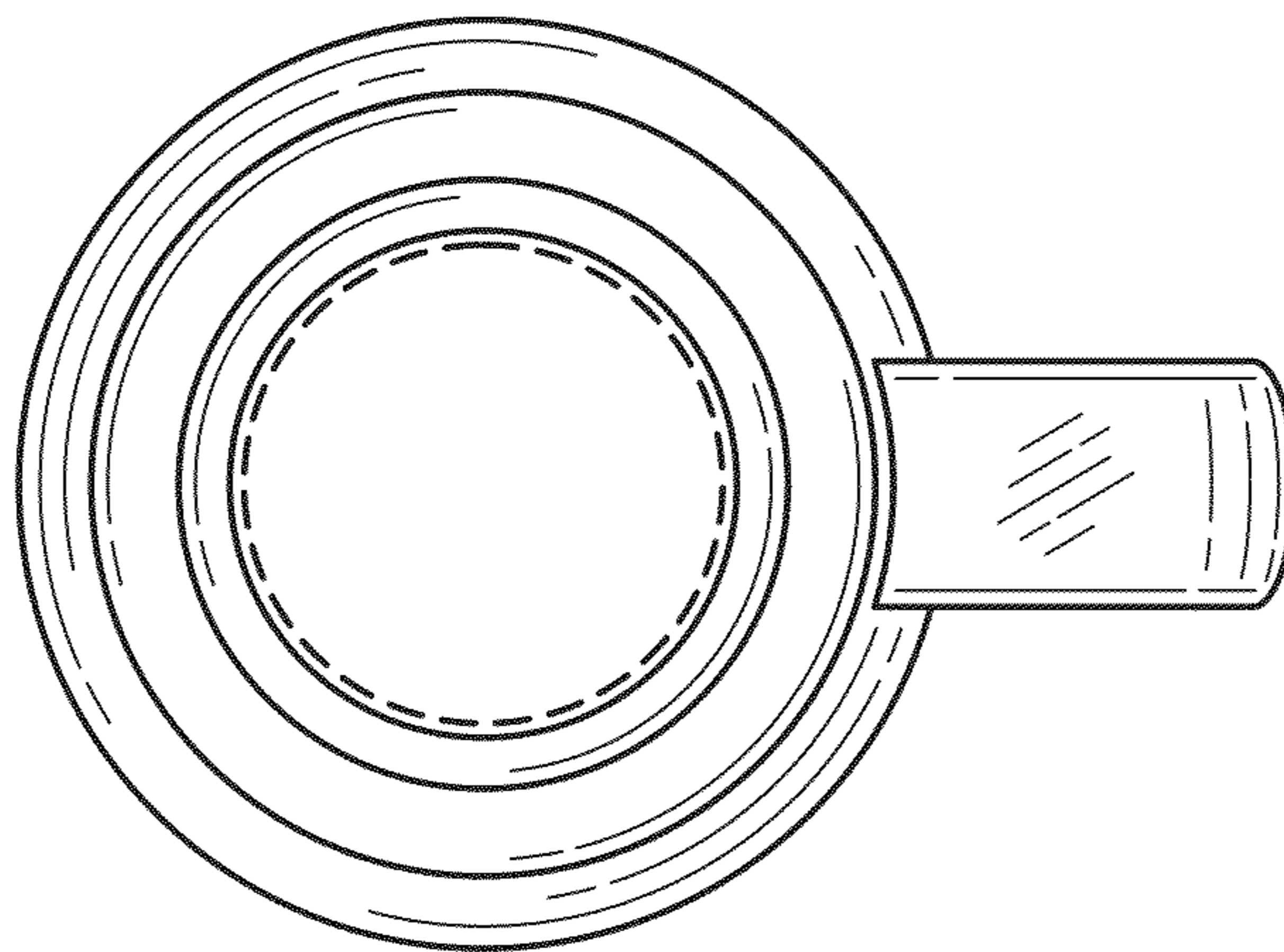


Fig. 4