



US00D709329S

(12) **United States Design Patent**  
**Ross**

(10) **Patent No.:** **US D709,329 S**

(45) **Date of Patent:** **\*\* Jul. 22, 2014**

(54) **DRINKING GLASS WITH INFUSER  
ENCLOSED WITHIN THE DRINKING GLASS**

(71) Applicant: **Gary Ross**, Oxnard, CA (US)

(72) Inventor: **Gary Ross**, Oxnard, CA (US)

(\*\*) Term: **14 Years**

(21) Appl. No.: **29/445,303**

(22) Filed: **Feb. 10, 2013**

(51) **LOC (10) Cl.** ..... **07-01**

(52) **U.S. Cl.**

USPC ..... **D7/507**; D7/523

(58) **Field of Classification Search**

USPC ..... D7/514, 515, 507, 509, 510, 511, 523,  
D7/532, 529, 399, 400; 220/703, 592.16,  
220/592.17, 670, 718; 215/12.1, 386;  
D24/224; D9/552, 500, 549, 547, 501,  
D9/544

See application file for complete search history.

(56) **References Cited**

**U.S. PATENT DOCUMENTS**

3,185,341 A \* 5/1965 Barbour ..... 220/718  
5,657,572 A \* 8/1997 Little ..... 43/1  
6,105,814 A \* 8/2000 Chen ..... 220/625  
6,427,864 B1 \* 8/2002 Asselin ..... 220/709  
D570,648 S \* 6/2008 Bodum ..... D7/510  
D577,253 S \* 9/2008 Bodum ..... D7/400

D577,260 S \* 9/2008 Bodum ..... D7/523  
D581,739 S \* 12/2008 Bodum ..... D7/523  
D599,619 S \* 9/2009 Bodum ..... D7/509  
D622,104 S \* 8/2010 Ross ..... D7/523  
D623,897 S \* 9/2010 Ross ..... D7/523  
D631,293 S \* 1/2011 Ross ..... D7/510  
D698,201 S \* 1/2014 Bradford et al. .... D7/523

\* cited by examiner

*Primary Examiner* — Marianne Pandozzi

(74) *Attorney, Agent, or Firm* — Thomas I. Rozsa

(57) **CLAIM**

The ornamental design for a drinking glass with infuser enclosed within the drinking glass, as shown and described.

**DESCRIPTION**

FIG. 1 is a top perspective view showing my new design for the drinking glass with infuser enclosed within the drinking glass;

FIG. 2 is a bottom perspective view thereof;

FIG. 3 is front elevational view thereof;

FIG. 4 is a rear elevational view thereof;

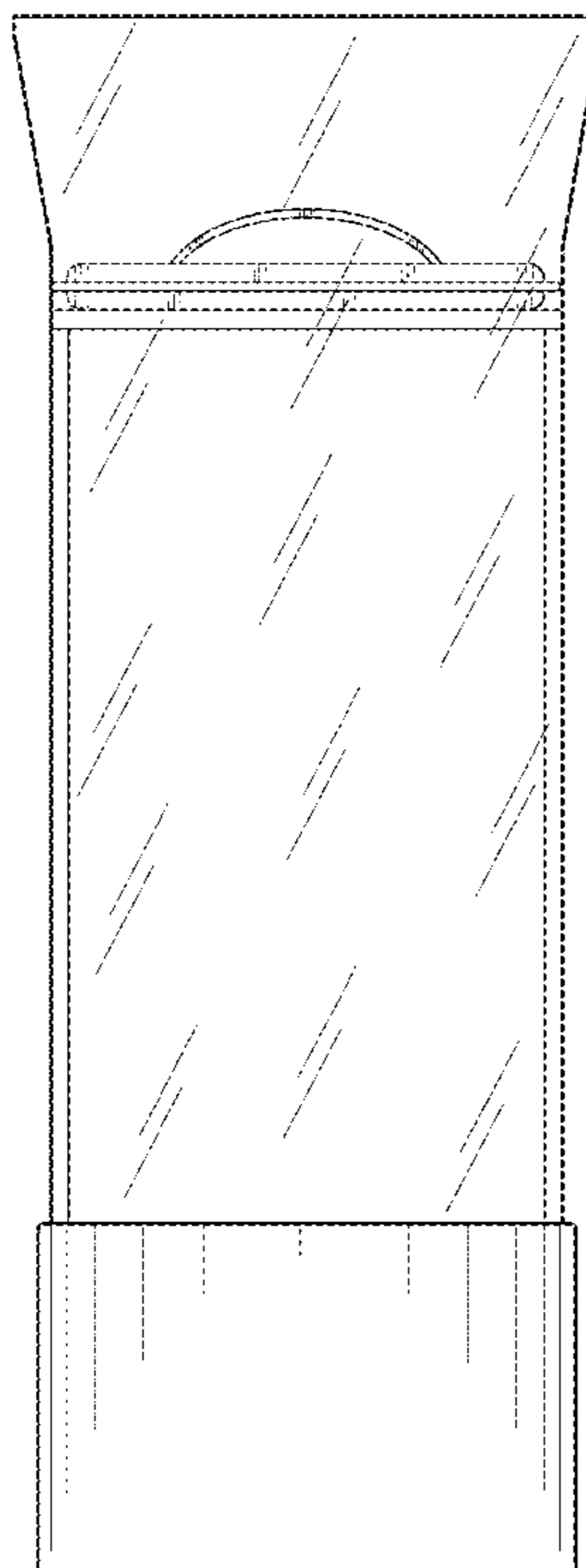
FIG. 5 is a top view thereof;

FIG. 6 is a bottom view thereof;

FIG. 7 is a left side view thereof; and,

FIG. 8 is a right side view thereof.

**1 Claim, 7 Drawing Sheets**



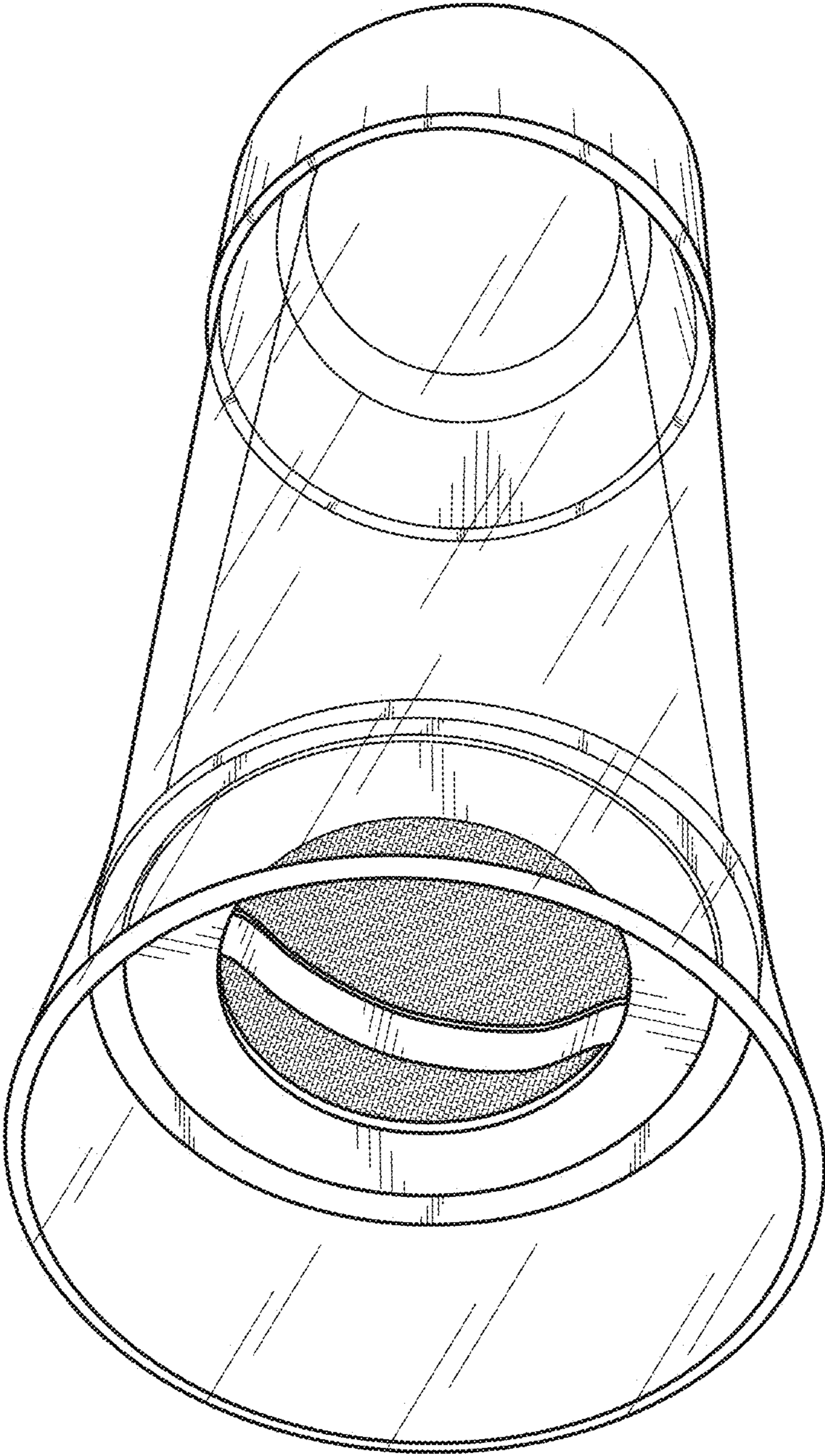


FIG. 1

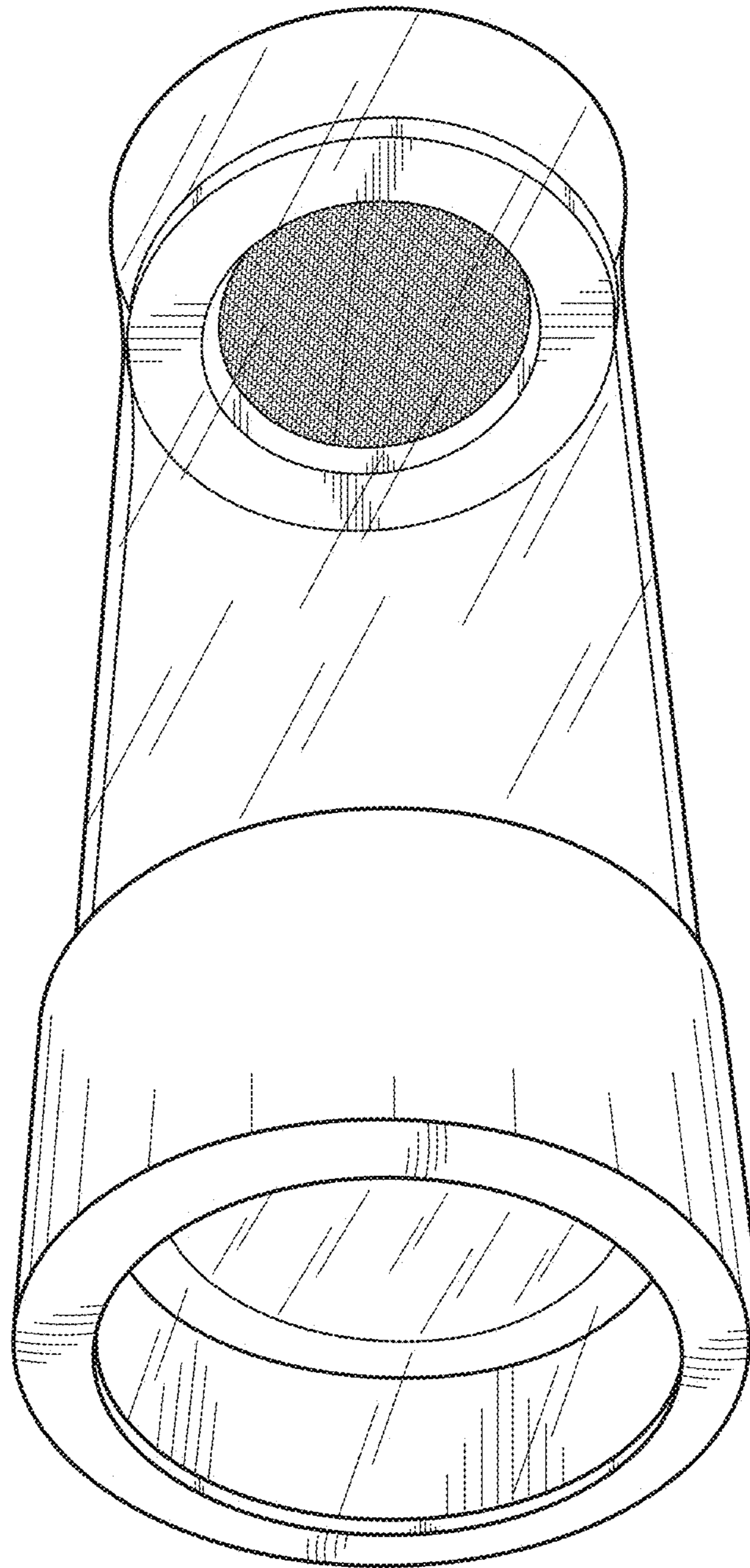


FIG. 2

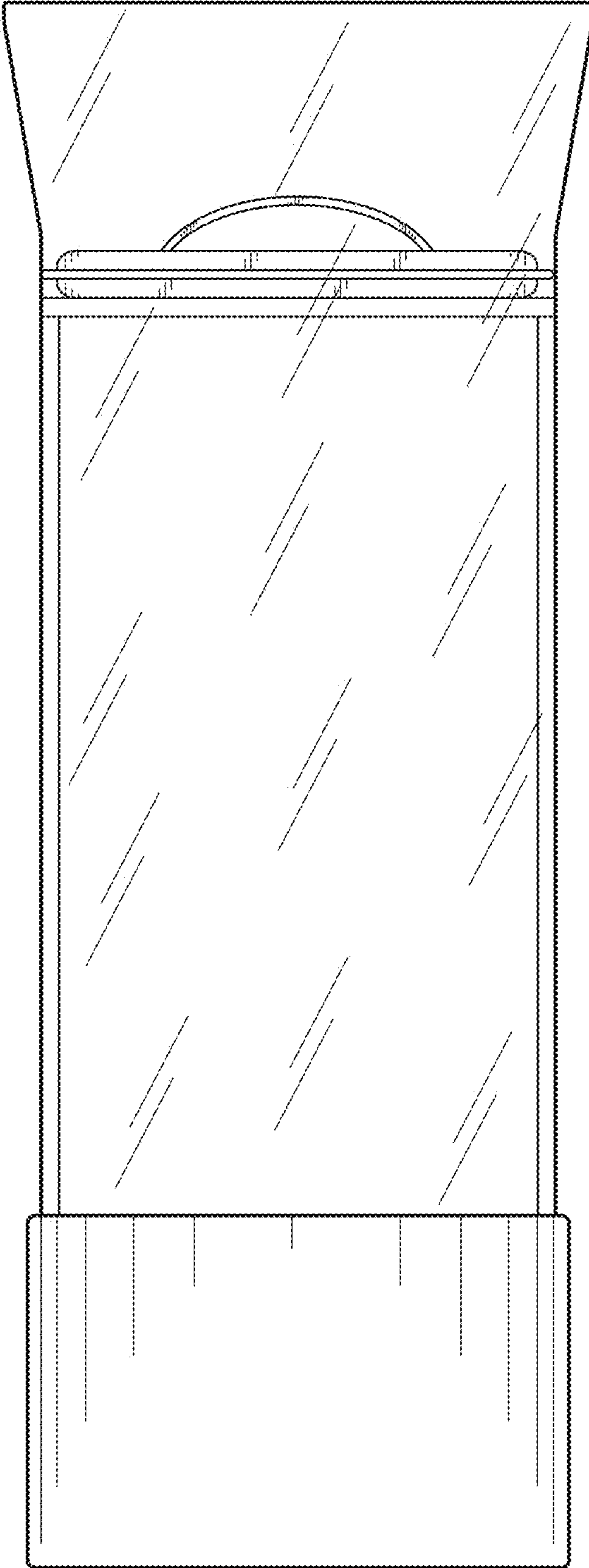


FIG. 3



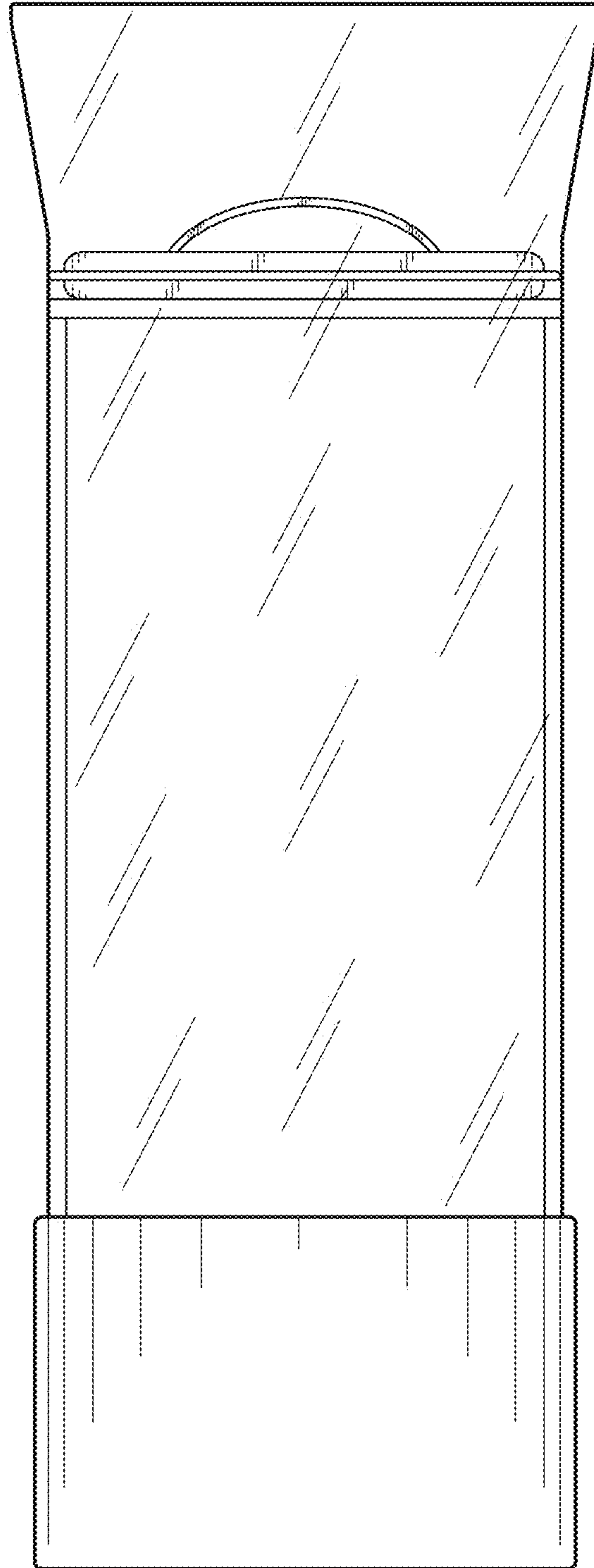


FIG. 4

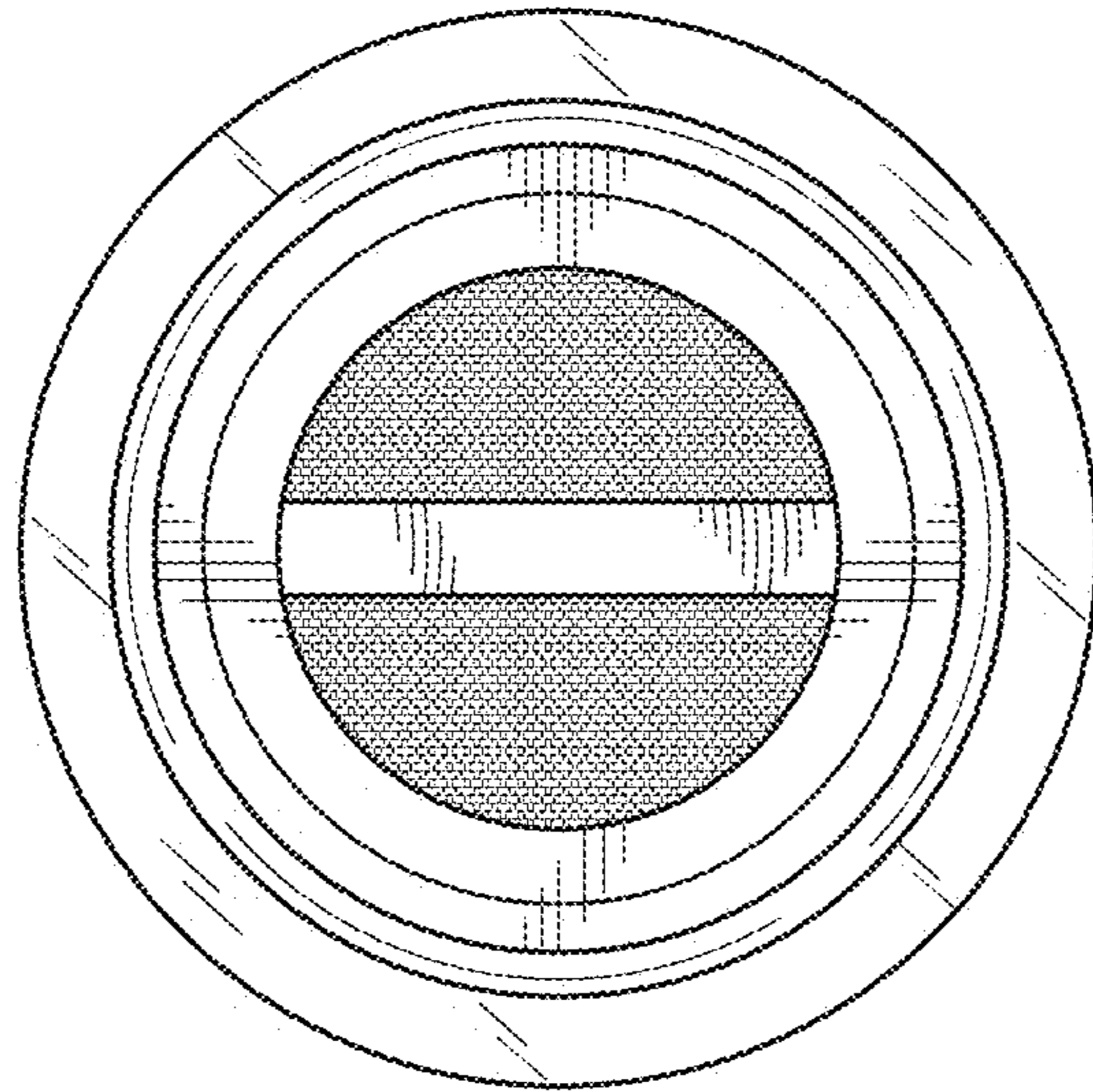


FIG. 5

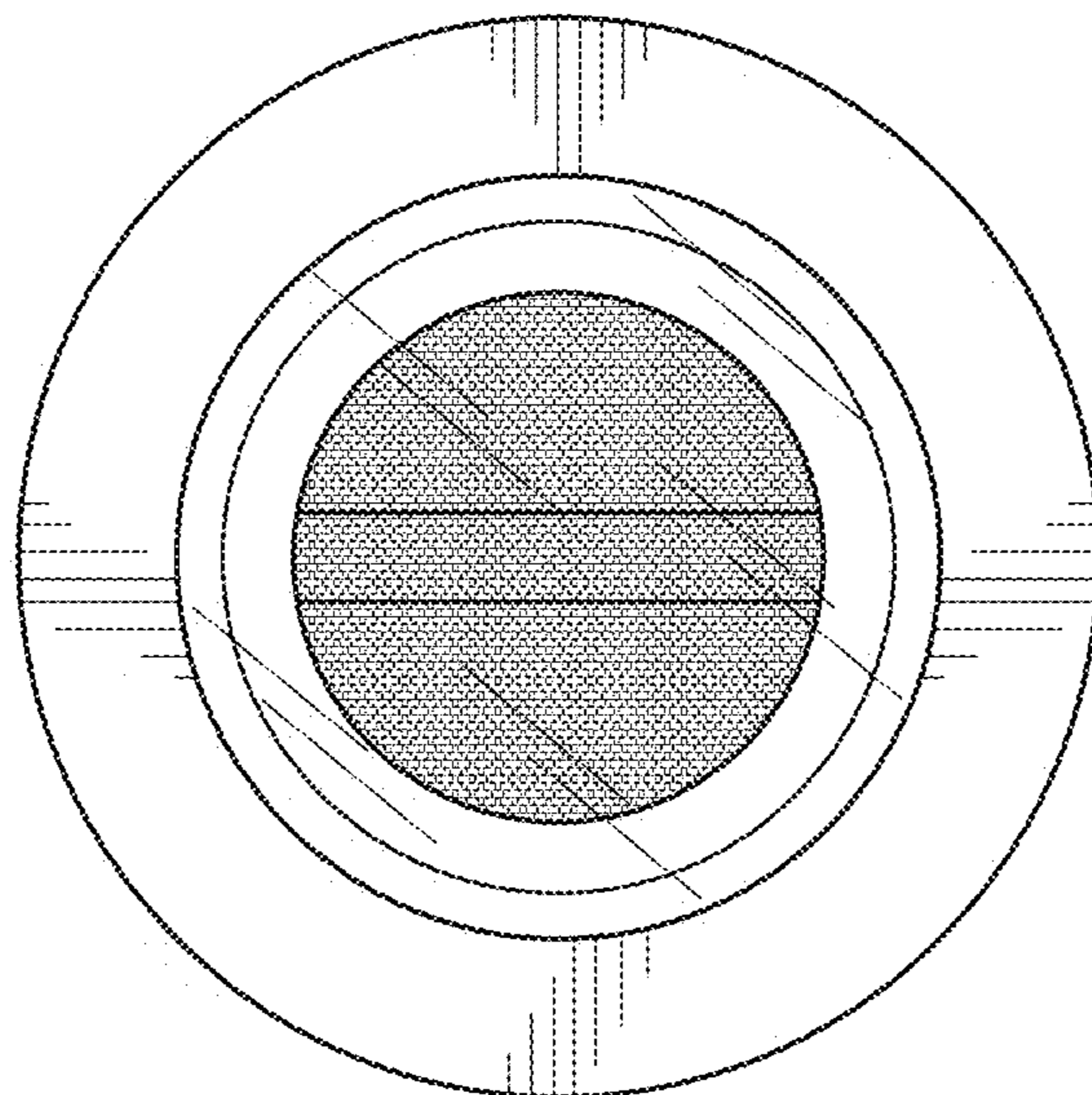


FIG. 6

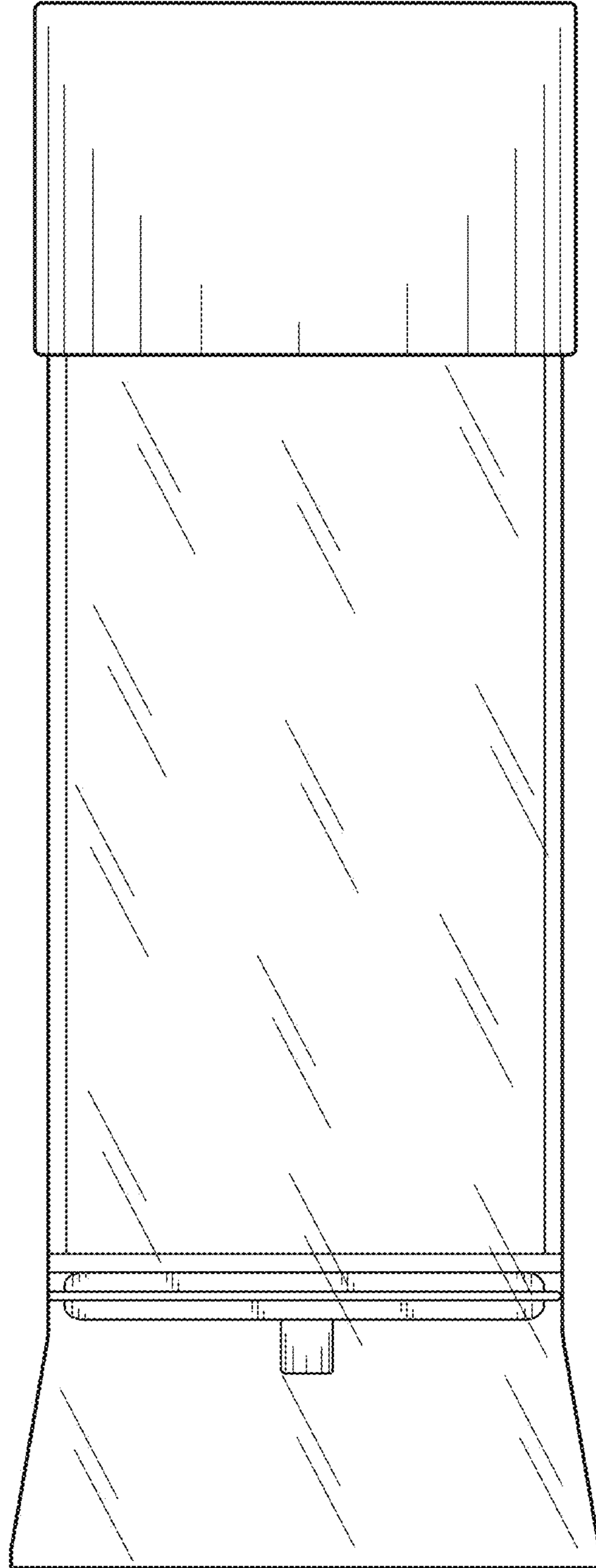


FIG. 7

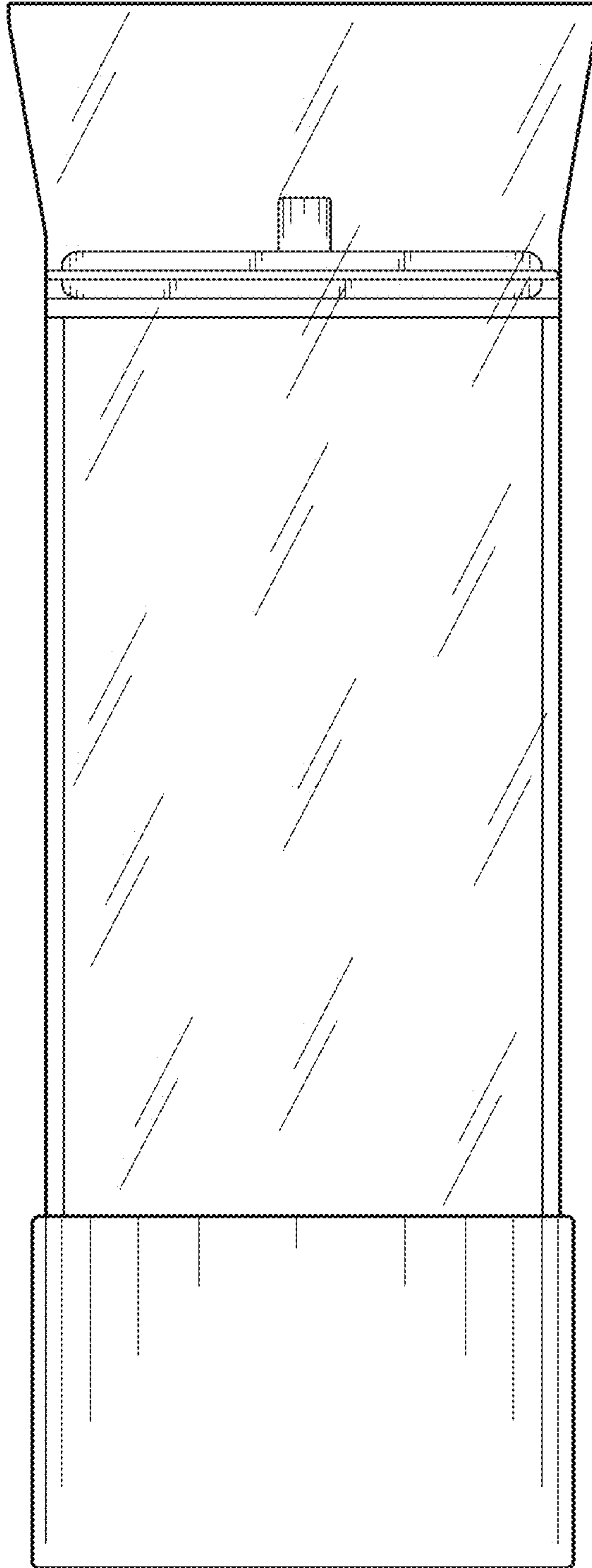


FIG. 8