



US00D709327S

(12) **United States Design Patent**
Ross

(10) **Patent No.:** **US D709,327 S**
(45) **Date of Patent:** **** Jul. 22, 2014**

(54) **DRINKING GLASS WITH INVERTED BABY BOTTLE ENCLOSED WITHIN THE DRINKING GLASS**

(71) Applicant: **Gary Ross**, Oxnard, CA (US)

(72) Inventor: **Gary Ross**, Oxnard, CA (US)

(**) Term: **14 Years**

(21) Appl. No.: **29/445,301**

(22) Filed: **Feb. 10, 2013**

(51) **LOC (10) Cl.** **07-01**

(52) **U.S. Cl.**
USPC **D7/507; D7/523; D7/515**

(58) **Field of Classification Search**
USPC **D7/514, 515, 507, 509, 510, 511, 523, D7/532; 220/703, 592.16, 592.17; 215/12.1; D24/224**

See application file for complete search history.

(56) **References Cited**

U.S. PATENT DOCUMENTS

1,879,820	A *	9/1932	Perry	215/371
D221,286	S *	7/1971	Kern	D7/515
5,769,680	A *	6/1998	Hoffman	446/75
6,066,299	A *	5/2000	Lodge	422/547
D438,920	S *	3/2001	Matteucci et al.	D21/701
D453,837	S *	2/2002	Lodge	D24/224
D453,937	S *	2/2002	Wasko et al.	D14/487
D465,030	S *	10/2002	Lodge	D24/224
D465,031	S *	10/2002	Lodge	D24/224
D465,283	S *	11/2002	Lodge	D24/224

D469,185	S *	1/2003	Lodge	D24/224
D618,510	S *	6/2010	Ross	D7/523
D623,897	S *	9/2010	Ross	D7/523
D629,916	S *	12/2010	Lodge	D24/224
D651,468	S *	1/2012	Ozaydinli	D7/523
8,157,120	B2 *	4/2012	Yang	220/678
D693,176	S *	11/2013	Kaiser	D7/523
D698,200	S *	1/2014	Lauwagie	D7/523
D698,201	S *	1/2014	Bradford et al.	D7/523
2008/0264958	A1 *	10/2008	Blake	220/703

* cited by examiner

Primary Examiner — Marianne Pandozzi

(74) *Attorney, Agent, or Firm* — Thomas I. Rozsa

(57) **CLAIM**

The ornamental design for a drinking glass with inverted baby bottle enclosed within the drinking glass, as shown and described.

DESCRIPTION

FIG. 1 is a top perspective view showing my new design for the drinking glass with inverted baby bottle enclosed within the drinking glass;

FIG. 2 is a bottom perspective view thereof;

FIG. 3 is front elevational view thereof;

FIG. 4 is a rear elevational view thereof;

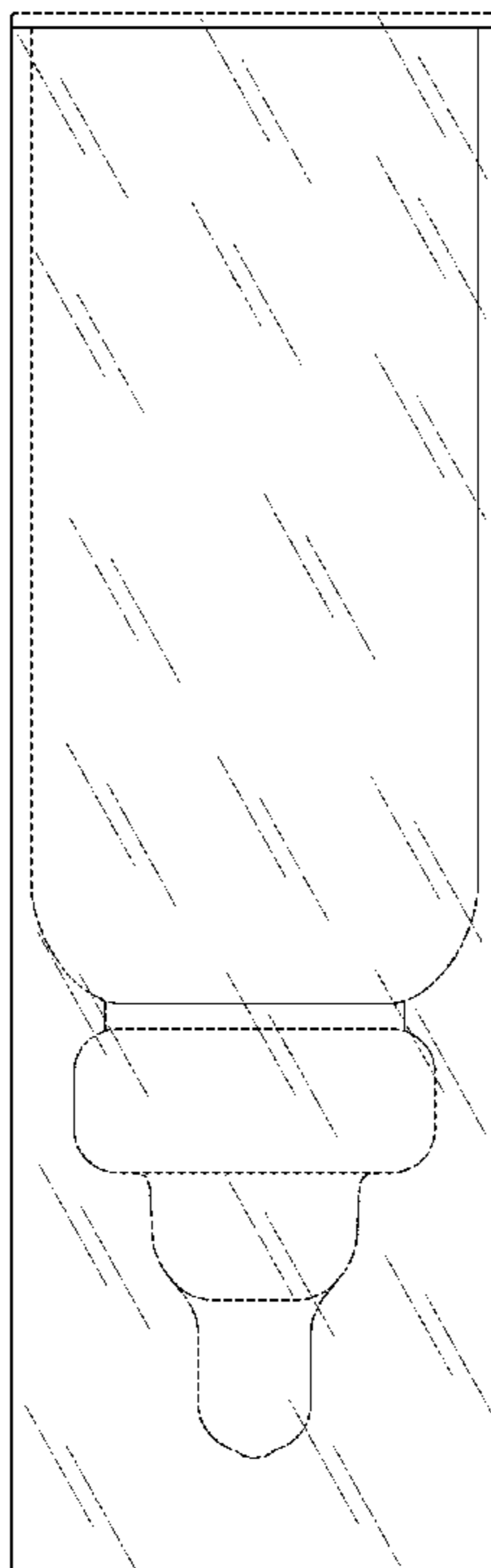
FIG. 5 is a top view thereof;

FIG. 6 is a bottom view thereof;

FIG. 7 is a left side view thereof; and,

FIG. 8 is a right side view thereof.

1 Claim, 7 Drawing Sheets



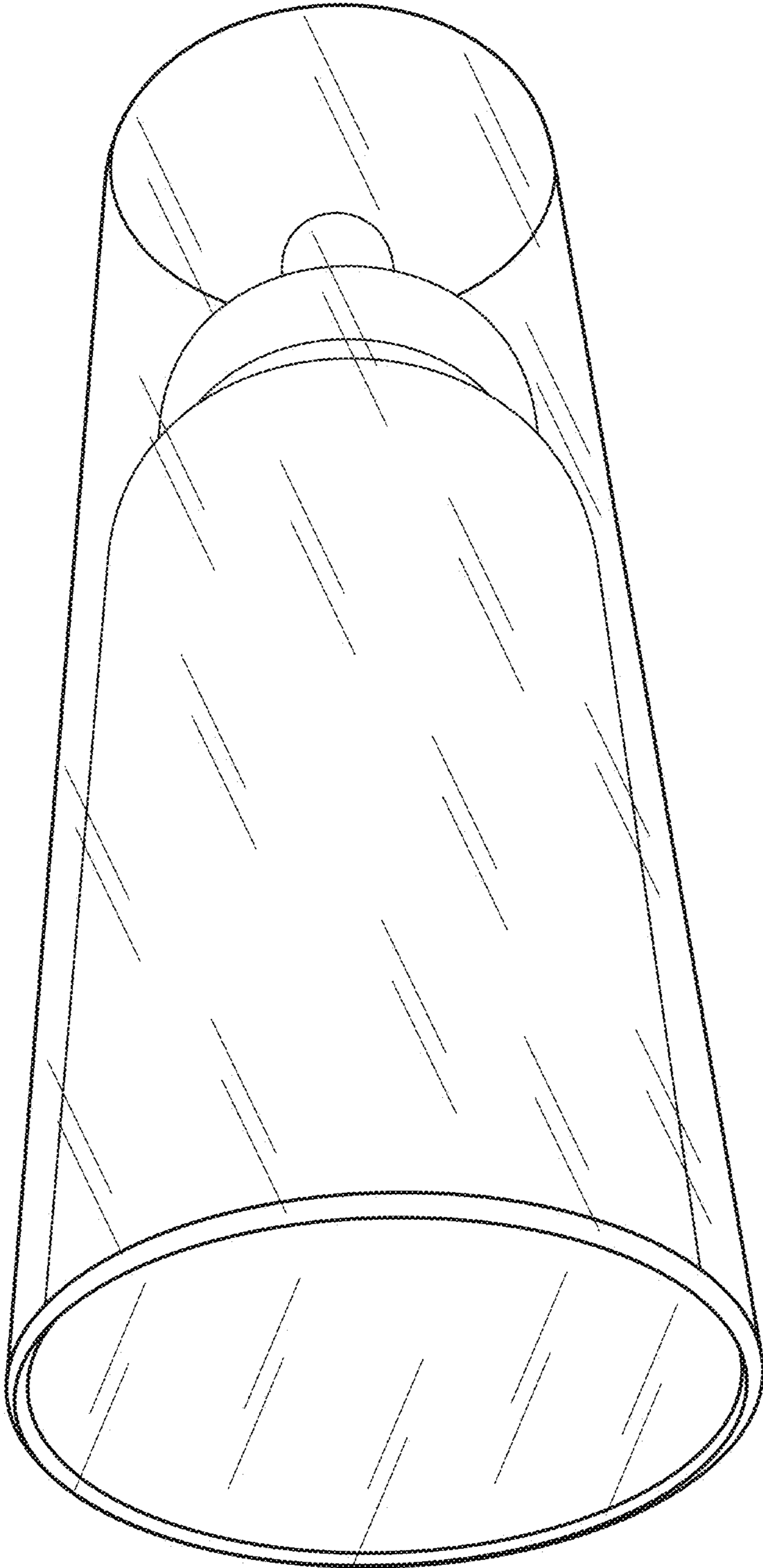


FIG. 1

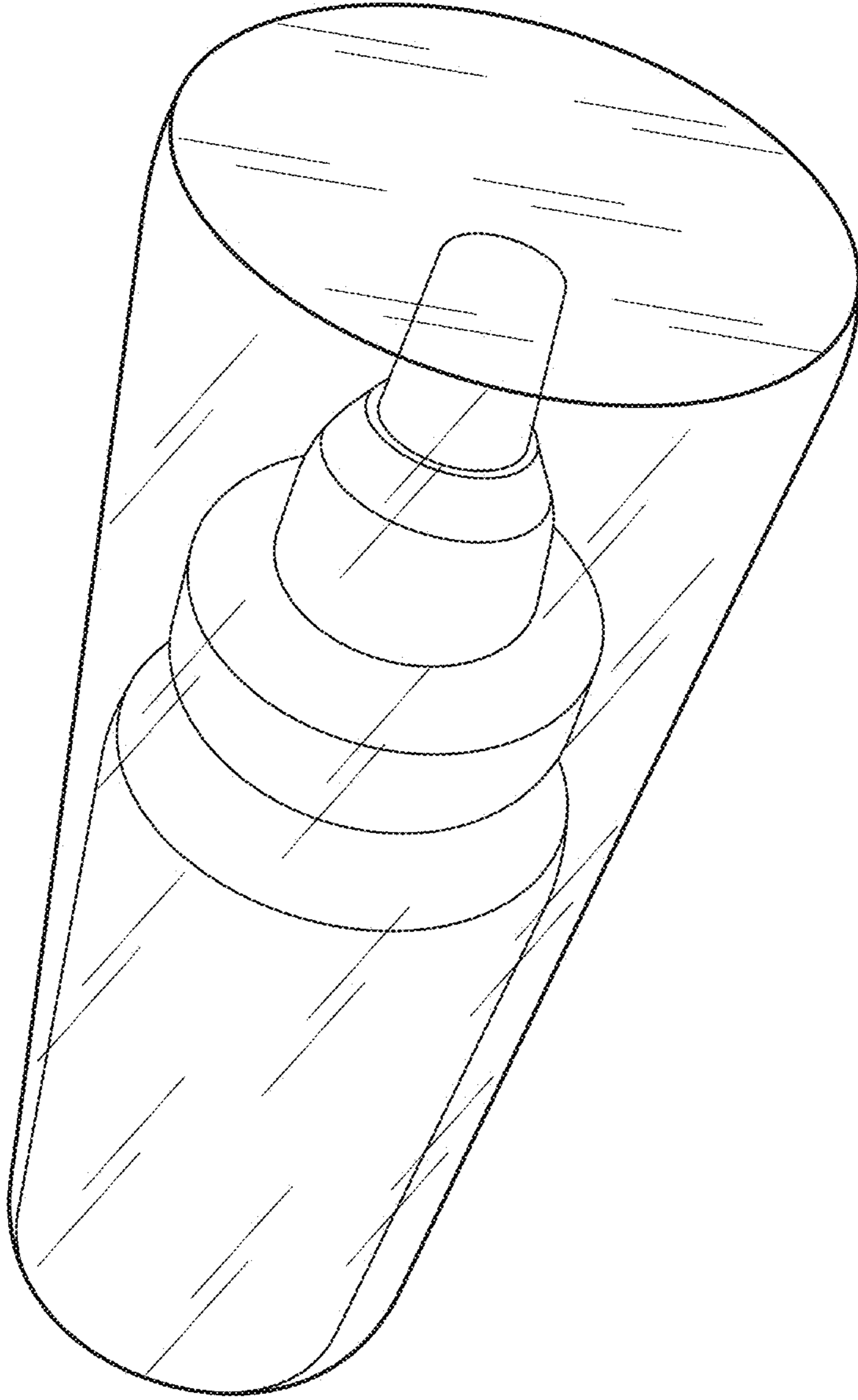


FIG. 2

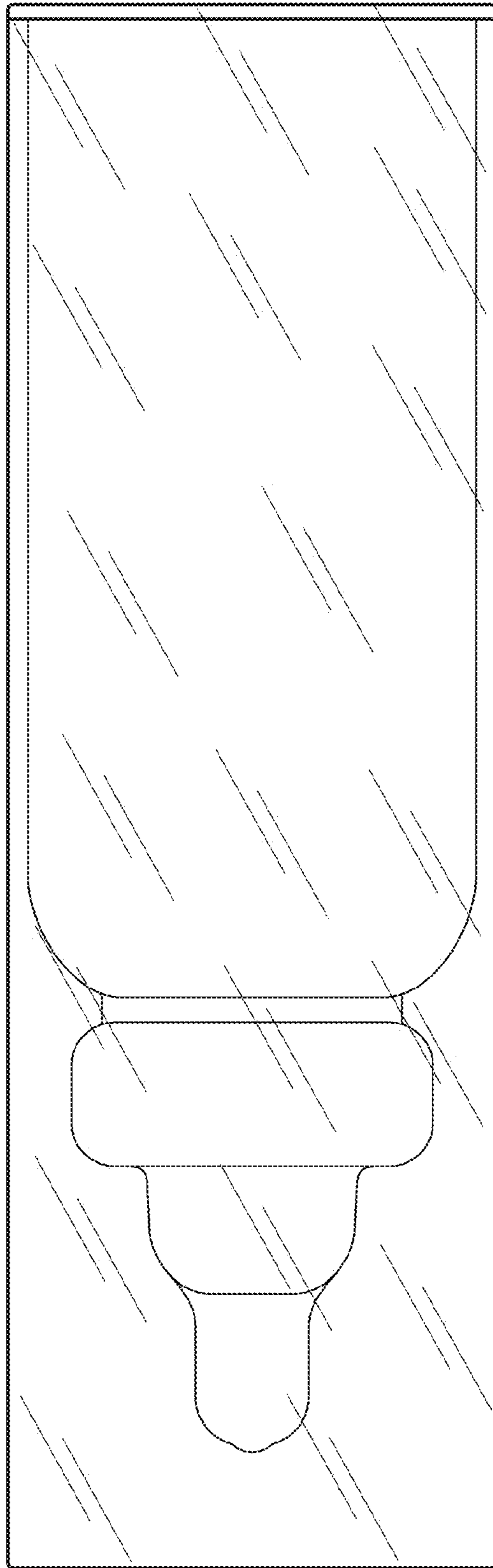


FIG. 3

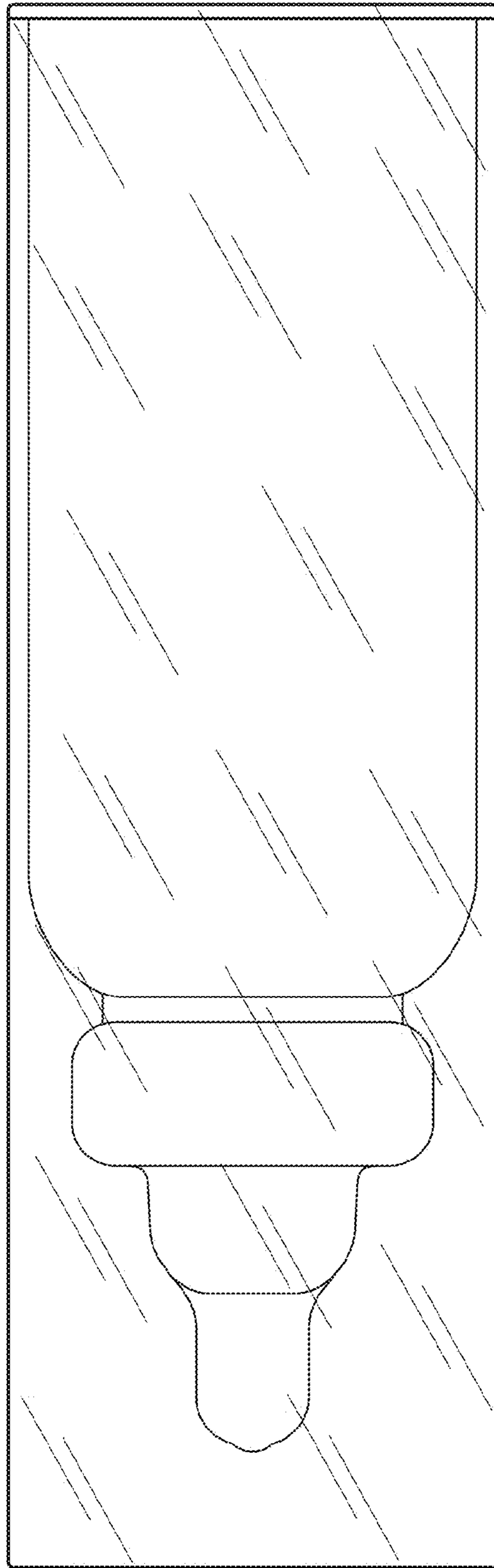


FIG. 4

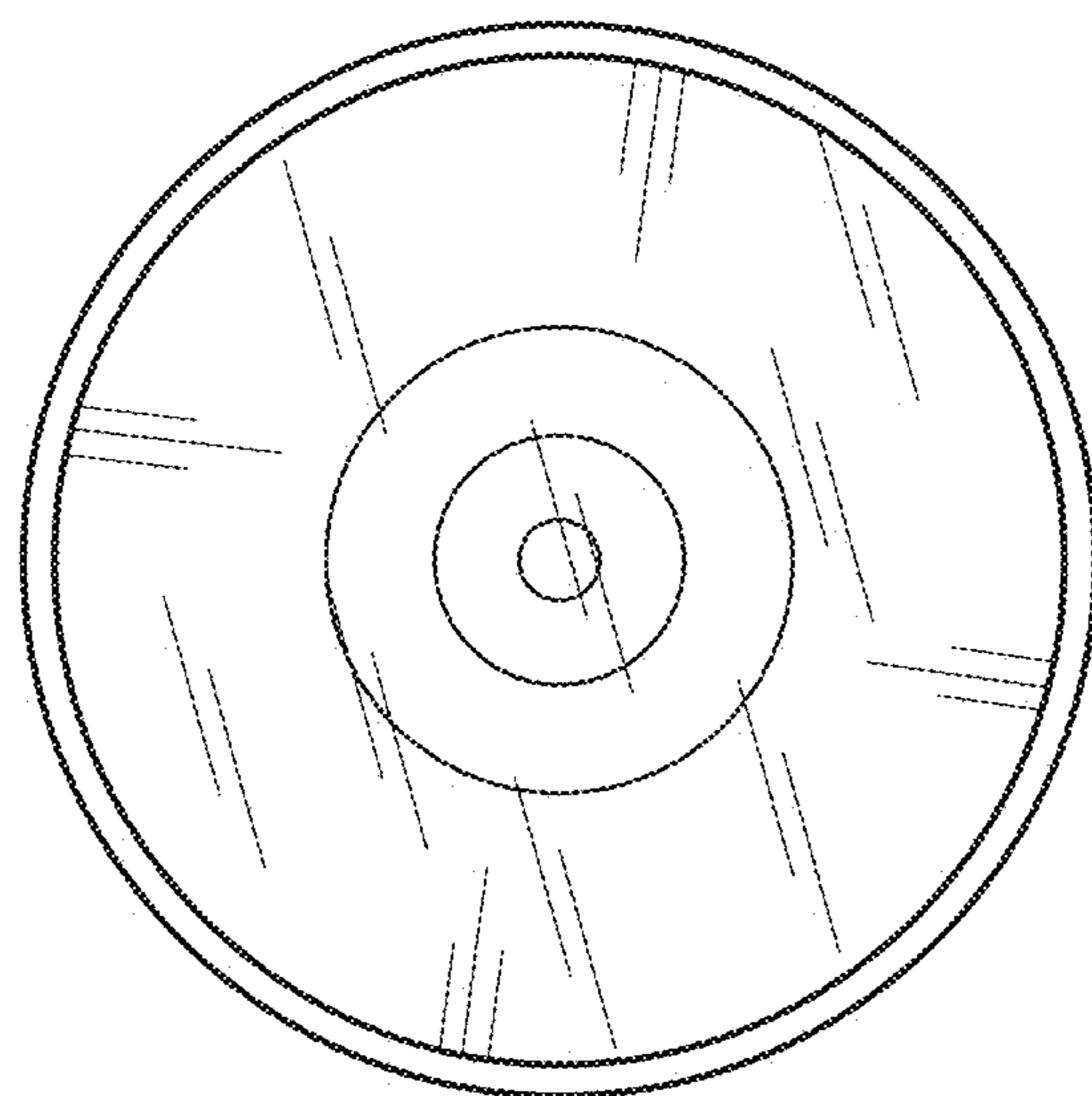


FIG. 5

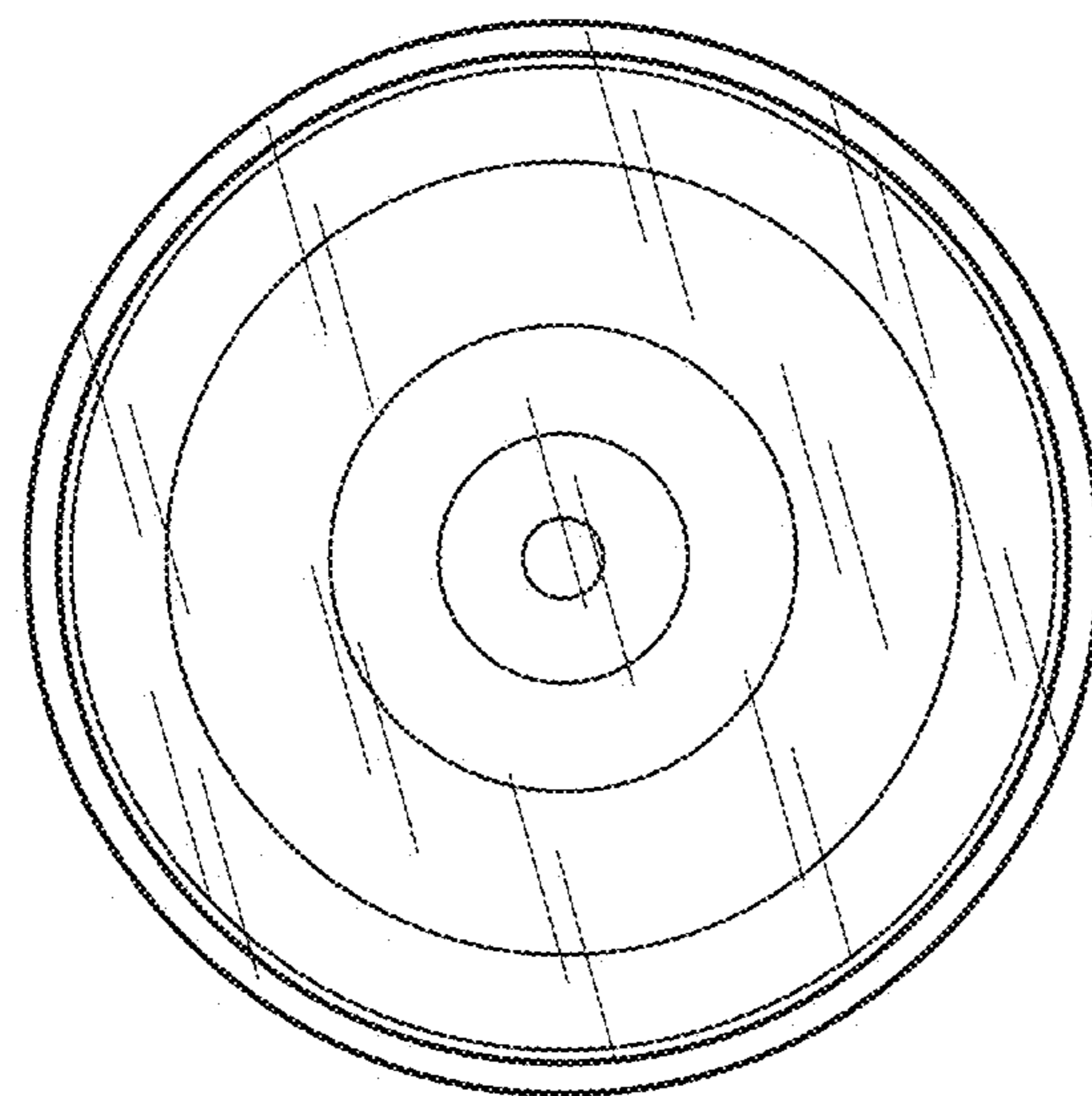


FIG. 6

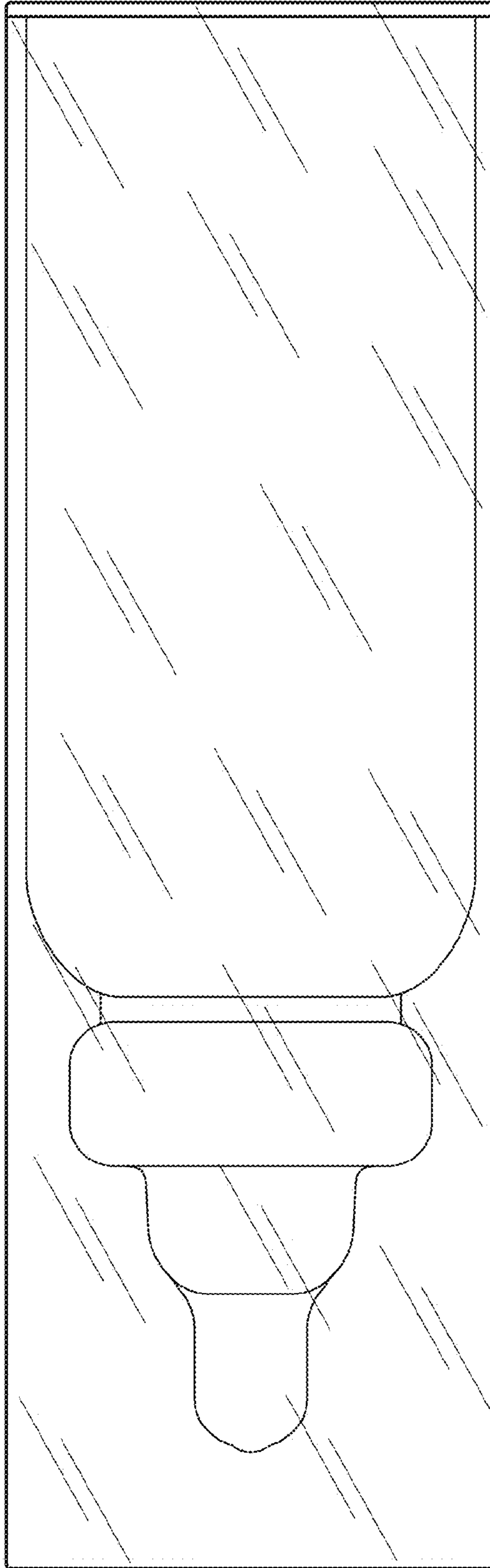


FIG. 7

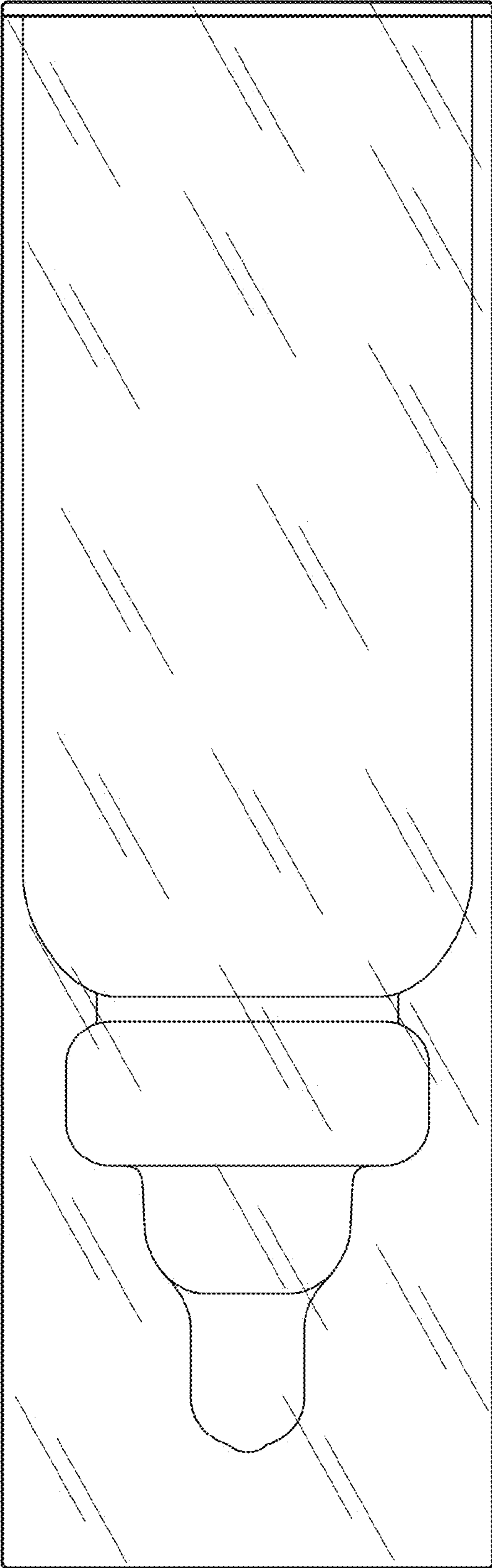


FIG. 8