



US00D709324S

(12) **United States Design Patent**  
**Guo et al.**

(10) **Patent No.:** **US D709,324 S**  
(45) **Date of Patent:** **\*\* Jul. 22, 2014**

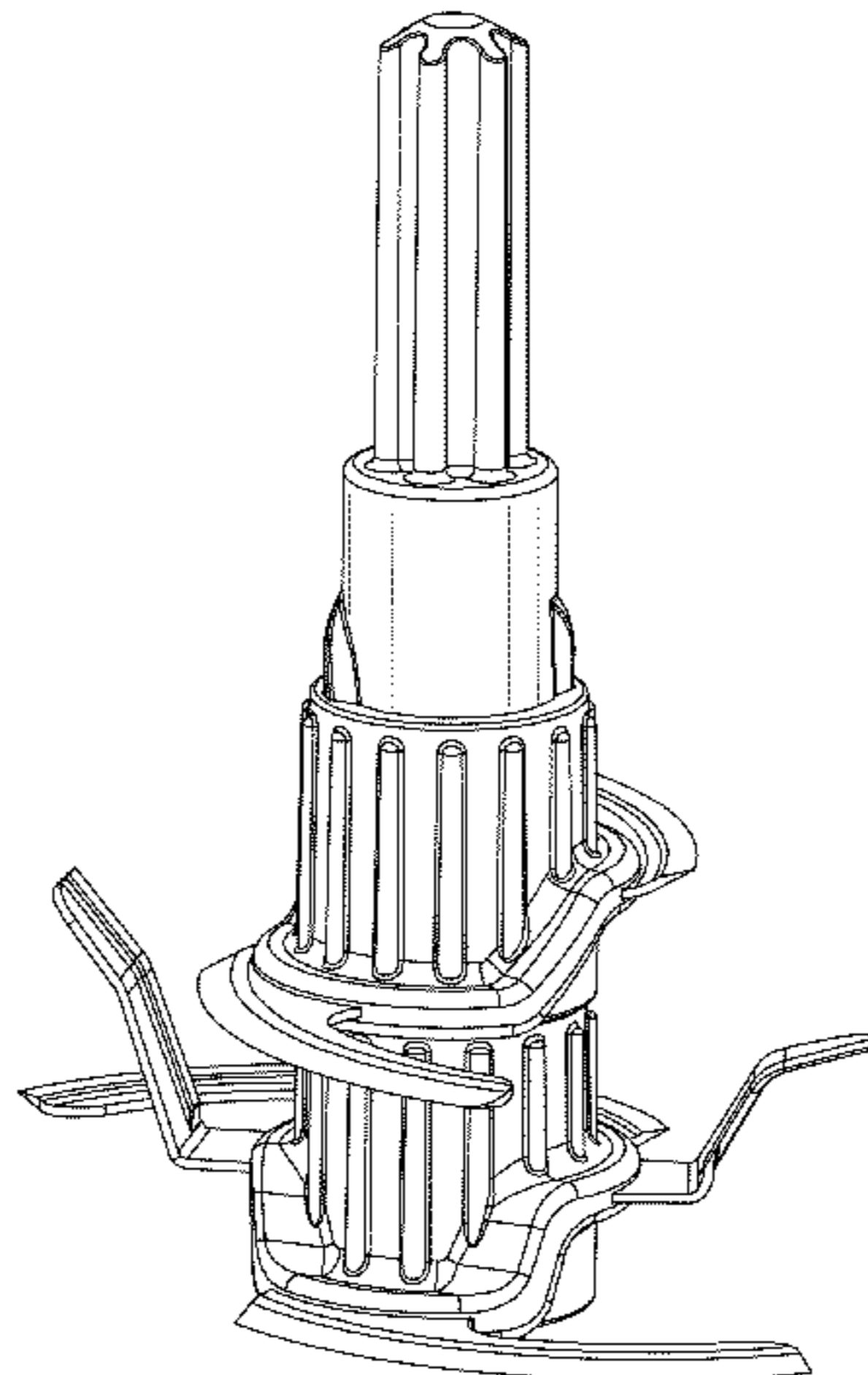
- (54) **BLADE OF BLENDER**
- (71) Applicant: **Guangdong Xinbao Electrical Appliances Holdings Co., Ltd,**  
Guangdong (CN)
- (72) Inventors: **Jiangang Guo,** Guangdong (CN);  
**Dingxun Sheng,** Guangdong (CN)
- (73) Assignee: **Guangdong Xinbao Electrical Appliances Holdings Co., Ltd,**  
Guangdong (CN)
- (\*\*) Term: **14 Years**
- (21) Appl. No.: **29/461,145**
- (22) Filed: **Jul. 18, 2013**
- (30) **Foreign Application Priority Data**  
Jan. 29, 2013 (CN) ..... 2013 3 0027692
- (51) **LOC (10) Cl.** ..... **31-00**
- (52) **U.S. Cl.**  
USPC ..... **D7/412; D7/376; D7/378; D7/383;**  
**D7/384**
- (58) **Field of Classification Search**  
USPC ..... **D7/301-313, 316-326, 356-357,**  
**D7/372-386, 391-398, 412-415, 665,**  
**D7/691-693; D15/29, 147; D23/200;**  
**30/265; 99/348, 508-512; 215/307;**  
**220/563; 241/36, 101.2, 199.12,**  
**241/282.1-282.2, 291, 292.1;**  
**366/192-211, 241-254, 282.2, 270,**  
**366/330.3, 434; 416/75-77, 70 R, 227 R;**  
**473/591**  
See application file for complete search history.

4,173,310	A *	11/1979	Schaeffer	.....	241/282.1
4,260,267	A *	4/1981	Walton	.....	366/343
4,331,300	A *	5/1982	Hicks et al.	.....	241/282.1
4,733,827	A *	3/1988	Williams	.....	241/101.2
4,817,878	A *	4/1989	Shibata	.....	241/282.2
D421,201	S *	2/2000	Crescenzi et al.	.....	D7/412
D421,546	S *	3/2000	Ekstrom	.....	D7/412
D432,621	S *	10/2000	Etschel et al.	.....	D23/200
6,532,863	B1 *	3/2003	Lee	.....	99/348
D499,303	S *	12/2004	Huang	.....	D7/412
D501,628	S *	2/2005	Feil	.....	D7/412
6,866,414	B2 *	3/2005	Kupidlowski	.....	366/330.3
D519,526	S *	4/2006	Bowsher	.....	D15/29
D523,028	S *	6/2006	Fitzpatrick	.....	D15/29
D572,076	S *	7/2008	Ling	.....	D7/384
7,419,111	B2 *	9/2008	Gursel	.....	241/282.1
D604,101	S *	11/2009	Sands	.....	D7/412
7,641,380	B2 *	1/2010	Behar et al.	.....	366/205
D622,095	S *	8/2010	Metaxatos et al.	.....	D7/383
D624,359	S *	9/2010	Schleinker	.....	D7/412
D647,364	S *	10/2011	Audette et al.	.....	D7/412
D647,365	S *	10/2011	Audette et al.	.....	D7/412
8,132,752	B1 *	3/2012	Hotaling et al.	.....	241/282.1
D663,586	S *	7/2012	Audette	.....	D7/412
D668,115	S *	10/2012	Potter	.....	D7/412
D682,030	S *	5/2013	Ezechukwu	.....	D7/412
D684,817	S *	6/2013	Leavitt	.....	D7/412
D690,751	S *	10/2013	Kehoe et al.	.....	D15/147
D696,070	S *	12/2013	Audette	.....	D7/412
D700,013	S *	2/2014	Chu	.....	D7/412
2002/0139884	A1 *	10/2002	Williams et al.	.....	241/282.1
2006/0176771	A1 *	8/2006	Adams	.....	366/270
2008/0198691	A1 *	8/2008	Behar et al.	.....	366/205
2009/0114616	A1 *	5/2009	White et al.	.....	215/307
2009/0134173	A1 *	5/2009	Liang et al.	.....	220/563
2009/0260236	A1 *	10/2009	Lin	.....	30/265
2012/0091245	A1 *	4/2012	Menashes	.....	241/282.1

\* cited by examiner

- (56) **References Cited**  
U.S. PATENT DOCUMENTS  
2,584,260 A \* 2/1952 Custer ..... 473/591  
3,461,933 A \* 8/1969 Mantelet ..... 241/199.12

*Primary Examiner* — Ricky Pham  
(74) *Attorney, Agent, or Firm* — Prakash Nama; Global IP Services, PLLC



(57)

**CLAIM**

The ornamental design for a blade of blender, as shown and described.

**DESCRIPTION**

FIG. 1 is a front elevational view of a blade of blender showing the first embodiment of my new design;  
FIG. 2 is a rear elevational view thereof;  
FIG. 3 is a left side view thereof;  
FIG. 4 is a right side view thereof;  
FIG. 5 is a top plan view thereof;  
FIG. 6 is a bottom plan view thereof;  
FIG. 7 is a perspective view thereof;  
FIG. 8 is a front elevational view of a blade of blender showing the second embodiment of my new design; the second embodiment is the same as the first embodiment except that the blades at the upper section in the first embodiment become the blades at the lower section in the second embodiment, and the blades at the lower section in the first embodiment become the blades at the upper section in the second embodiment;  
FIG. 9 is a rear elevational view of the second embodiment;  
FIG. 10 is a left side view of the second embodiment;  
FIG. 11 is a right side view of the second embodiment;  
FIG. 12 is a top plan view of the second embodiment;  
FIG. 13 is a bottom plan view of the second embodiment;

FIG. 14 is a perspective view of the second embodiment;  
FIG. 15 is a front elevational view of a blade of blender showing the third embodiment of my new design; the third embodiment is the same as the first embodiment except that the blades at the upper section in the first embodiment become the blades at the lower section in the third embodiment, and there are no blades at the upper section in the third embodiment;  
FIG. 16 is a rear elevational view of the third embodiment;  
FIG. 17 is a left side view of the third embodiment;  
FIG. 18 is a right side view of the third embodiment;  
FIG. 19 is a top plan view of the third embodiment;  
FIG. 20 is a bottom plan view of the third embodiment;  
FIG. 21 is a perspective view of the third embodiment;  
FIG. 22 is a front elevational view of a blade of blender showing the fourth embodiment of my new design; the fourth embodiment is the same as the first embodiment except that the blades at the upper section in the first embodiment are removed in the fourth embodiment;  
FIG. 23 is a rear elevational view of the fourth embodiment;  
FIG. 24 is a left side view of the fourth embodiment;  
FIG. 25 is a right side view of the fourth embodiment;  
FIG. 26 is a top plan view of the fourth embodiment;  
FIG. 27 is a bottom plan view of the fourth embodiment; and,  
FIG. 28 is a perspective view of the fourth embodiment.

**1 Claim, 27 Drawing Sheets**

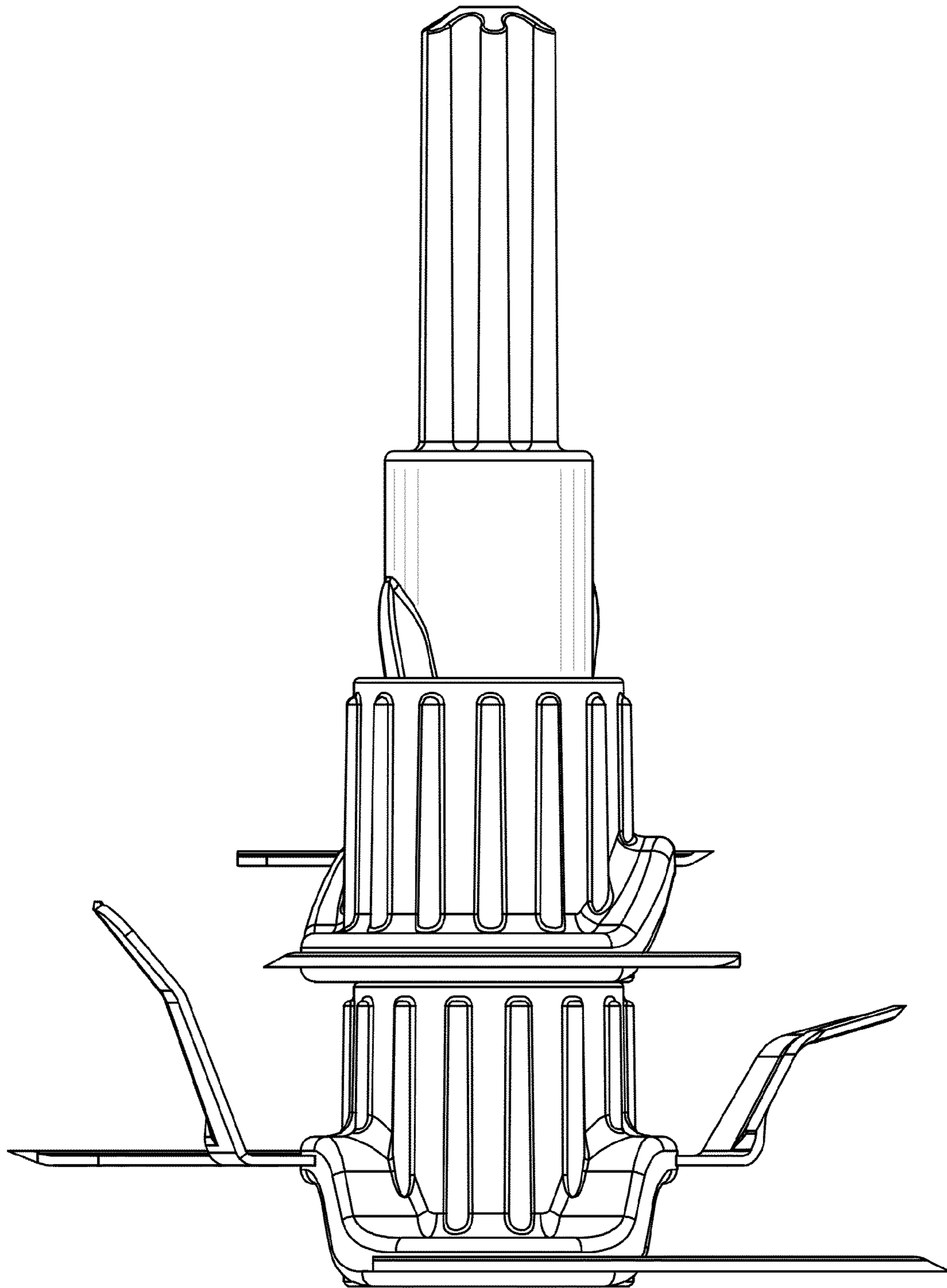


FIG. 1



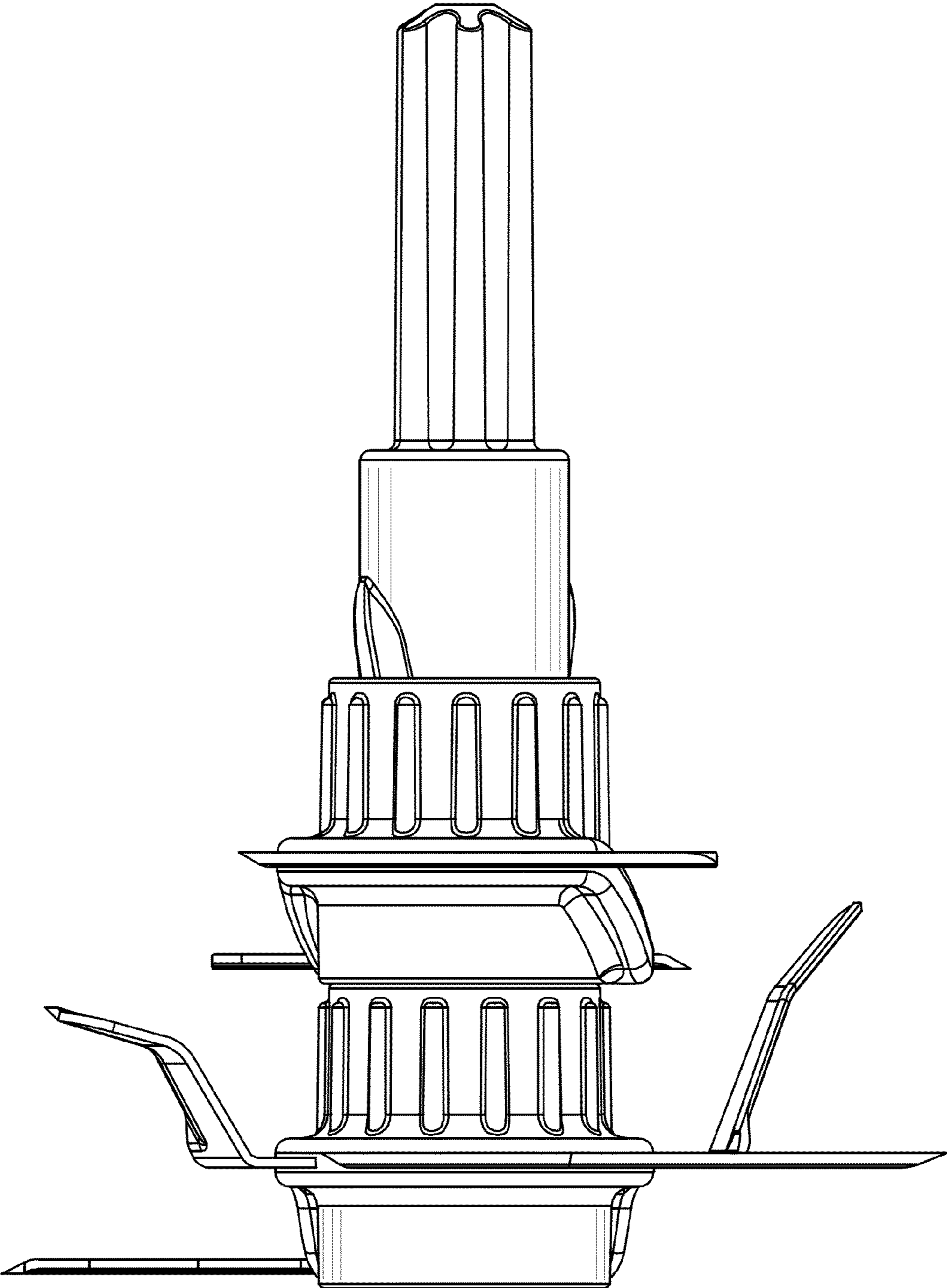


FIG. 2

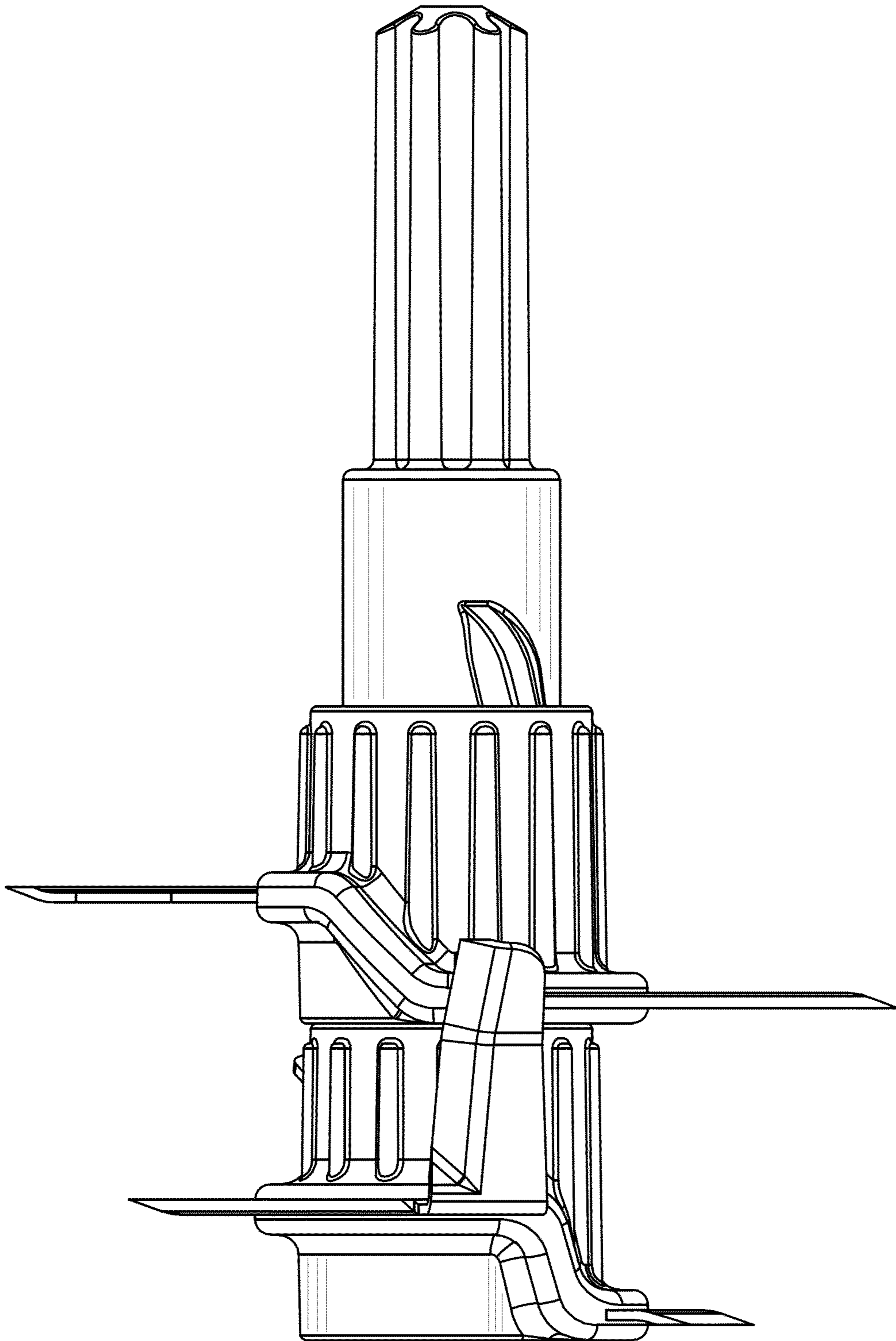


FIG. 3

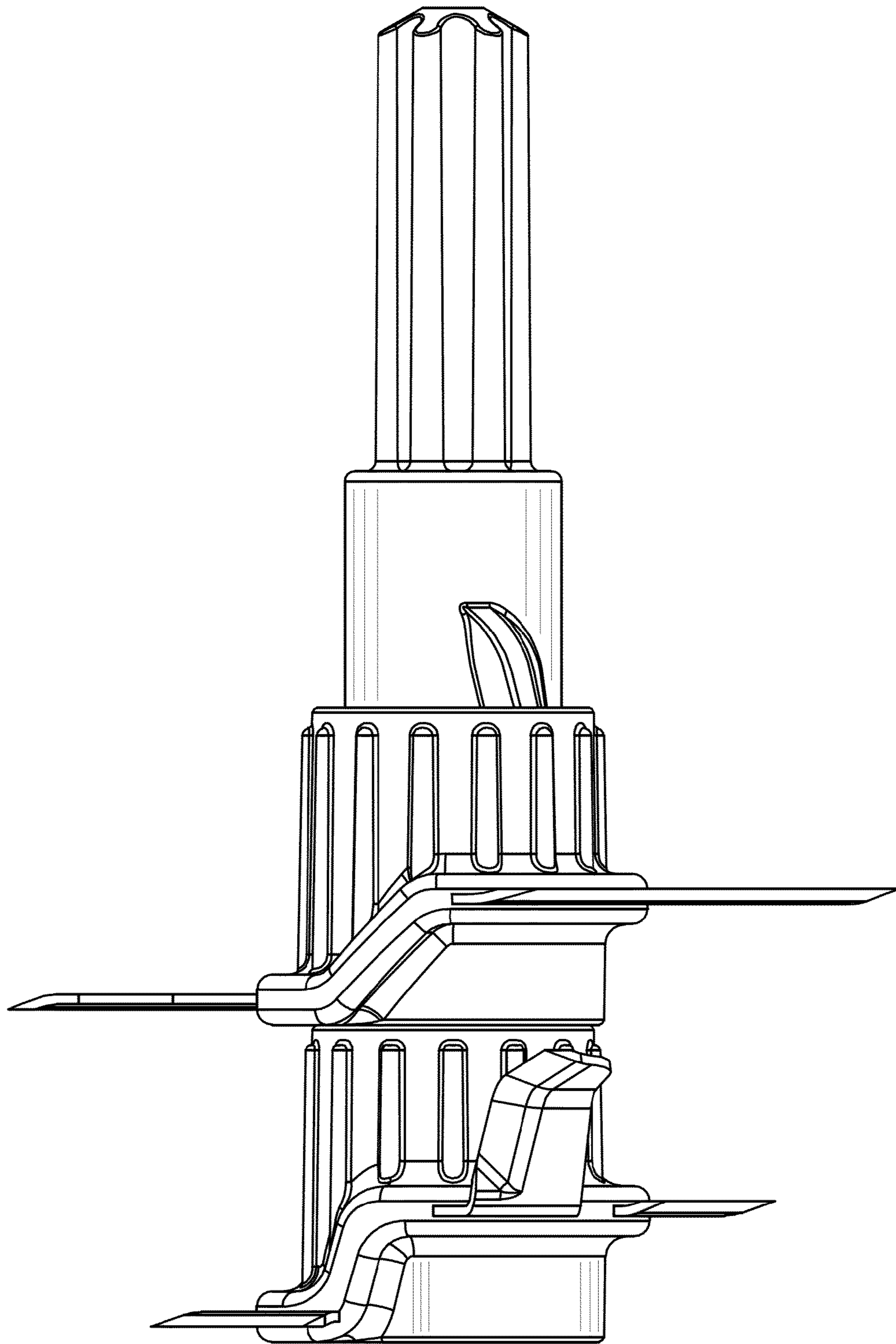


FIG. 4

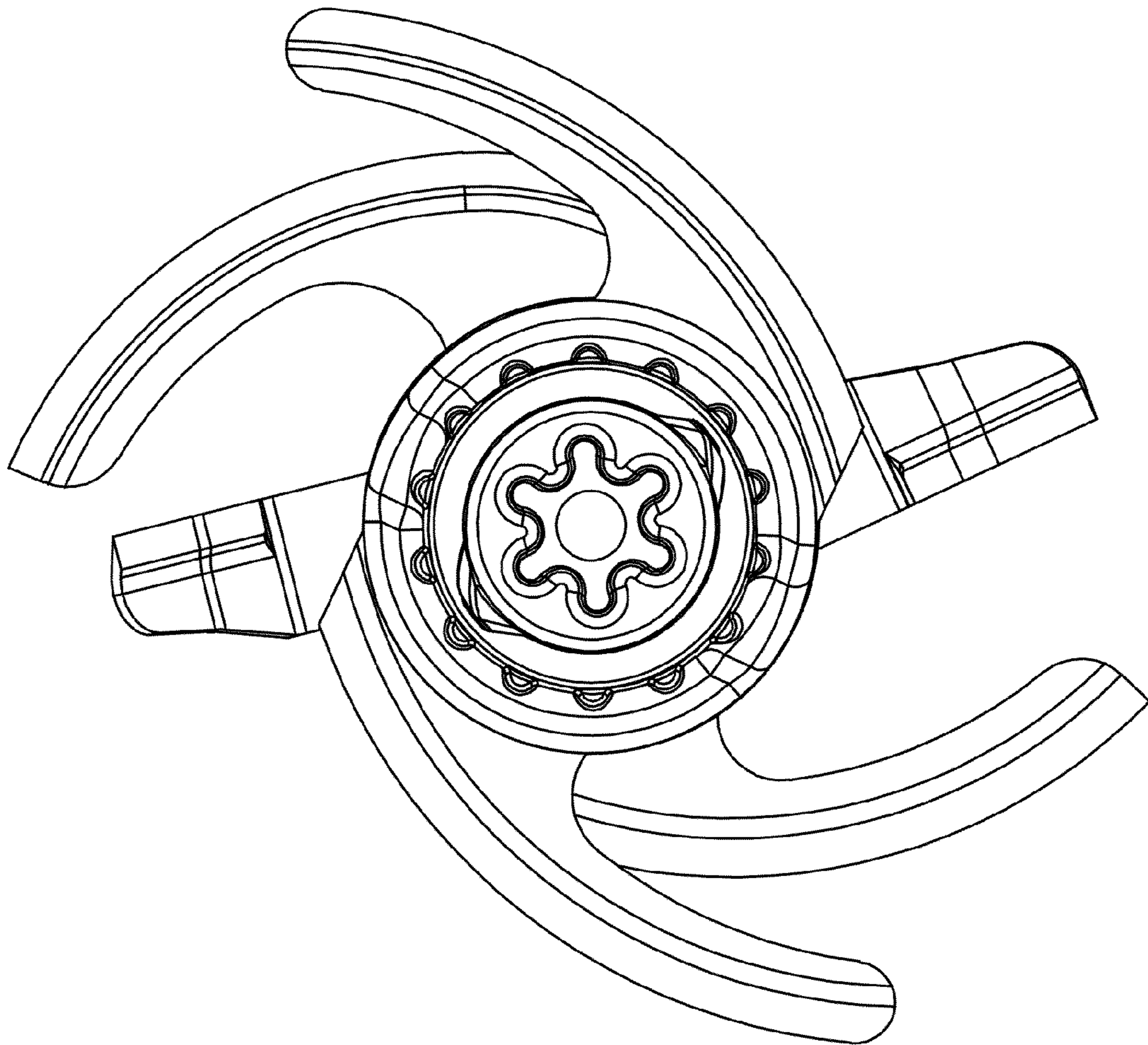


FIG. 5



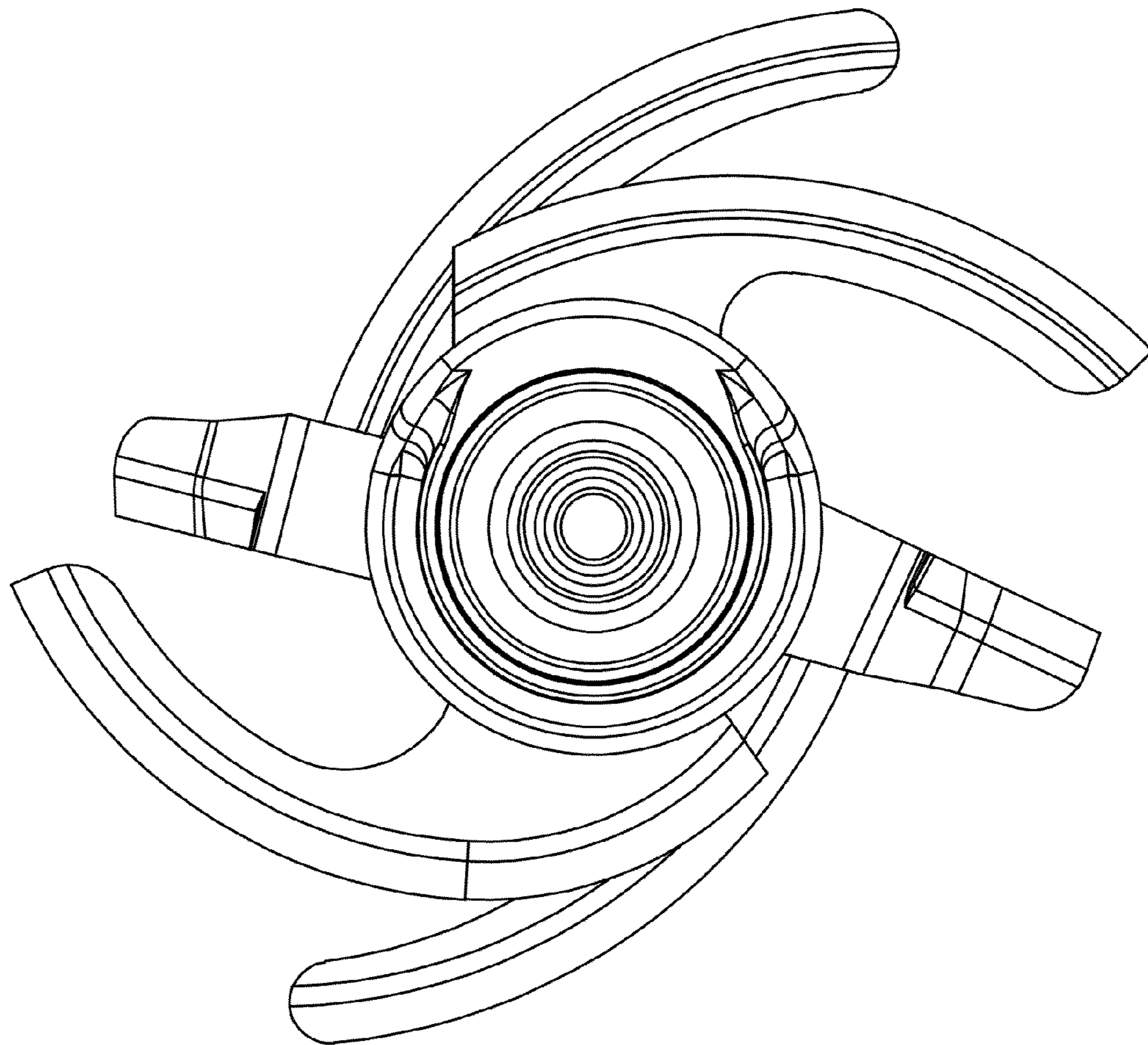


FIG. 6



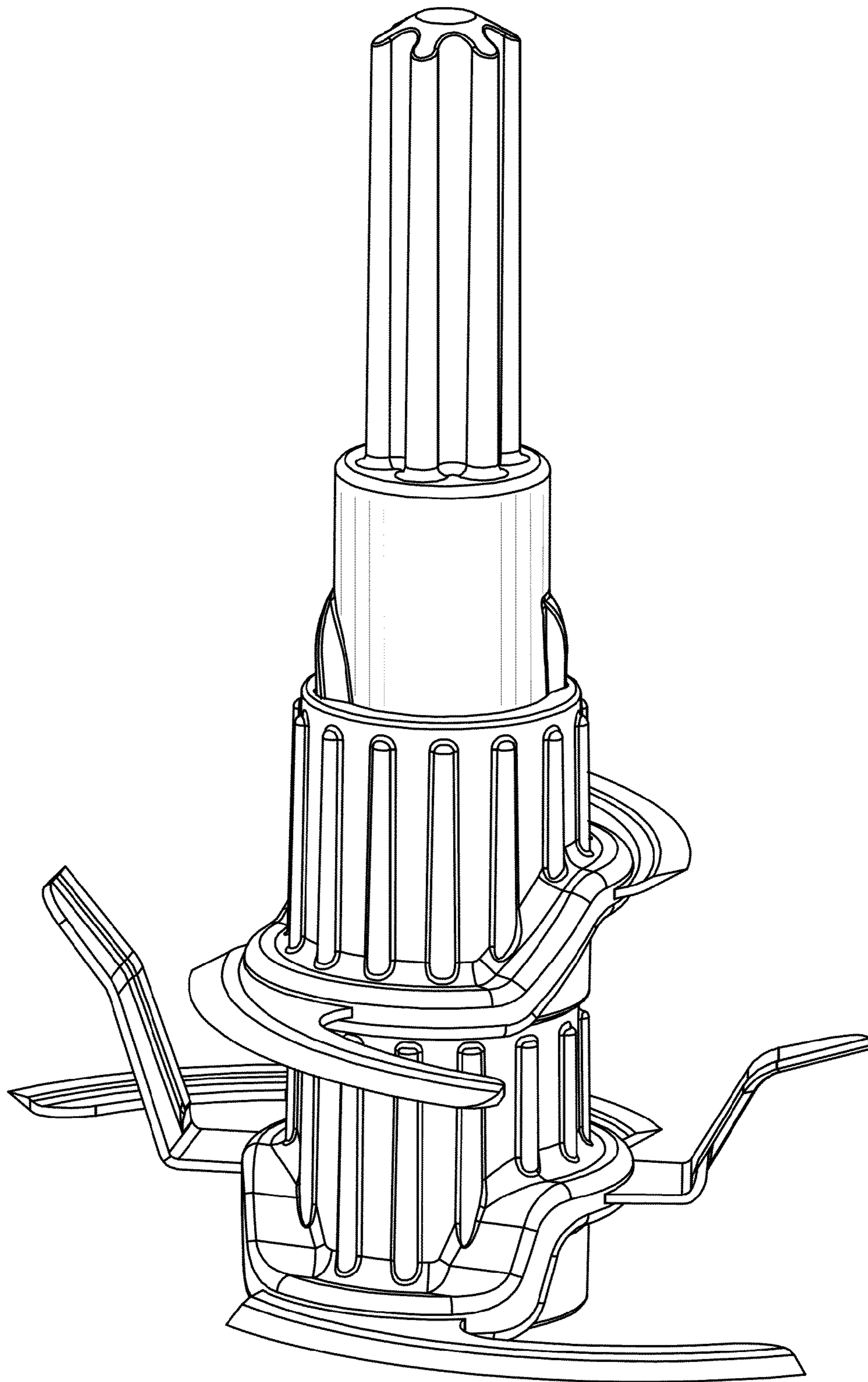


FIG. 7

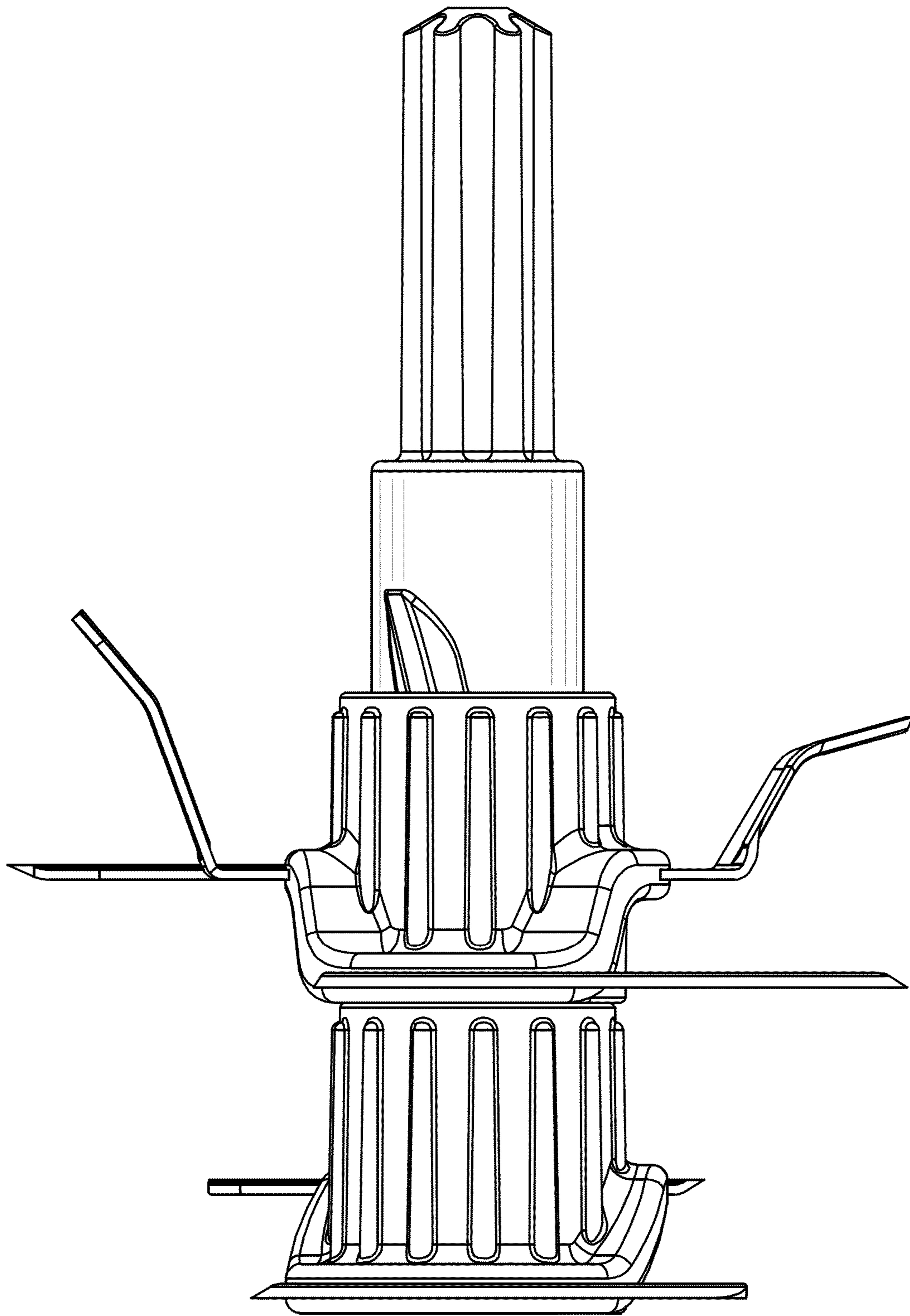


FIG. 8

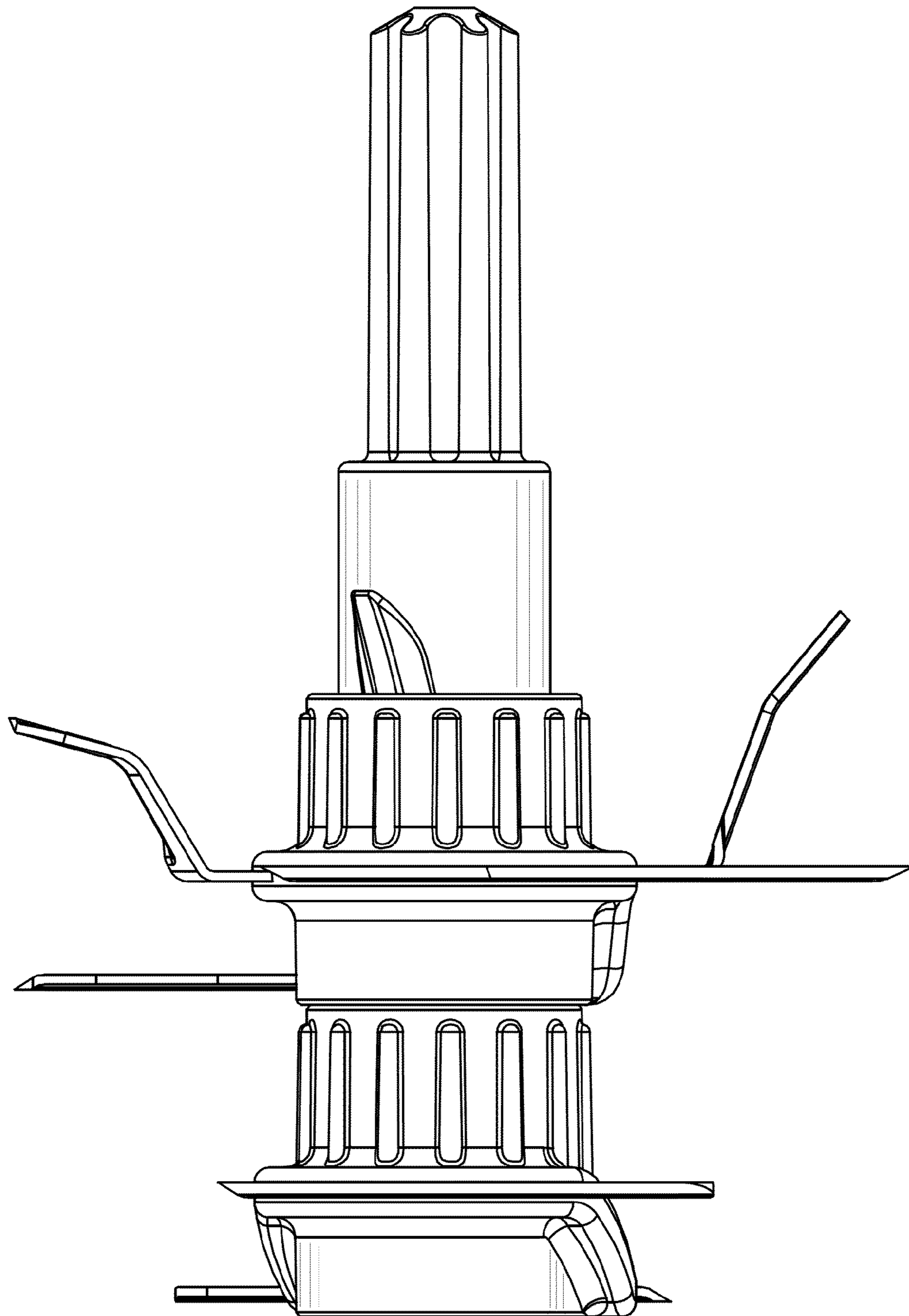


FIG. 9

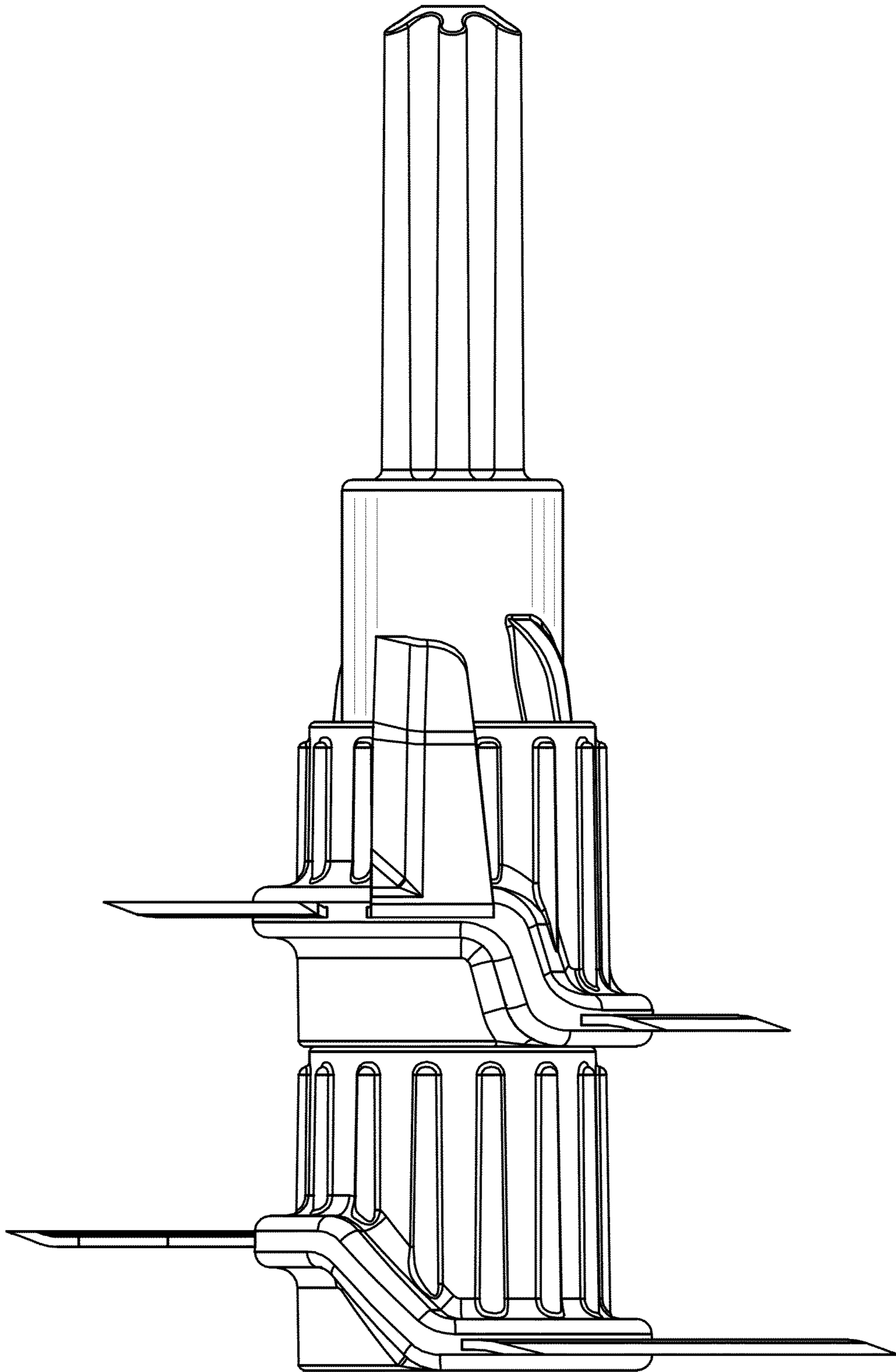


FIG. 10



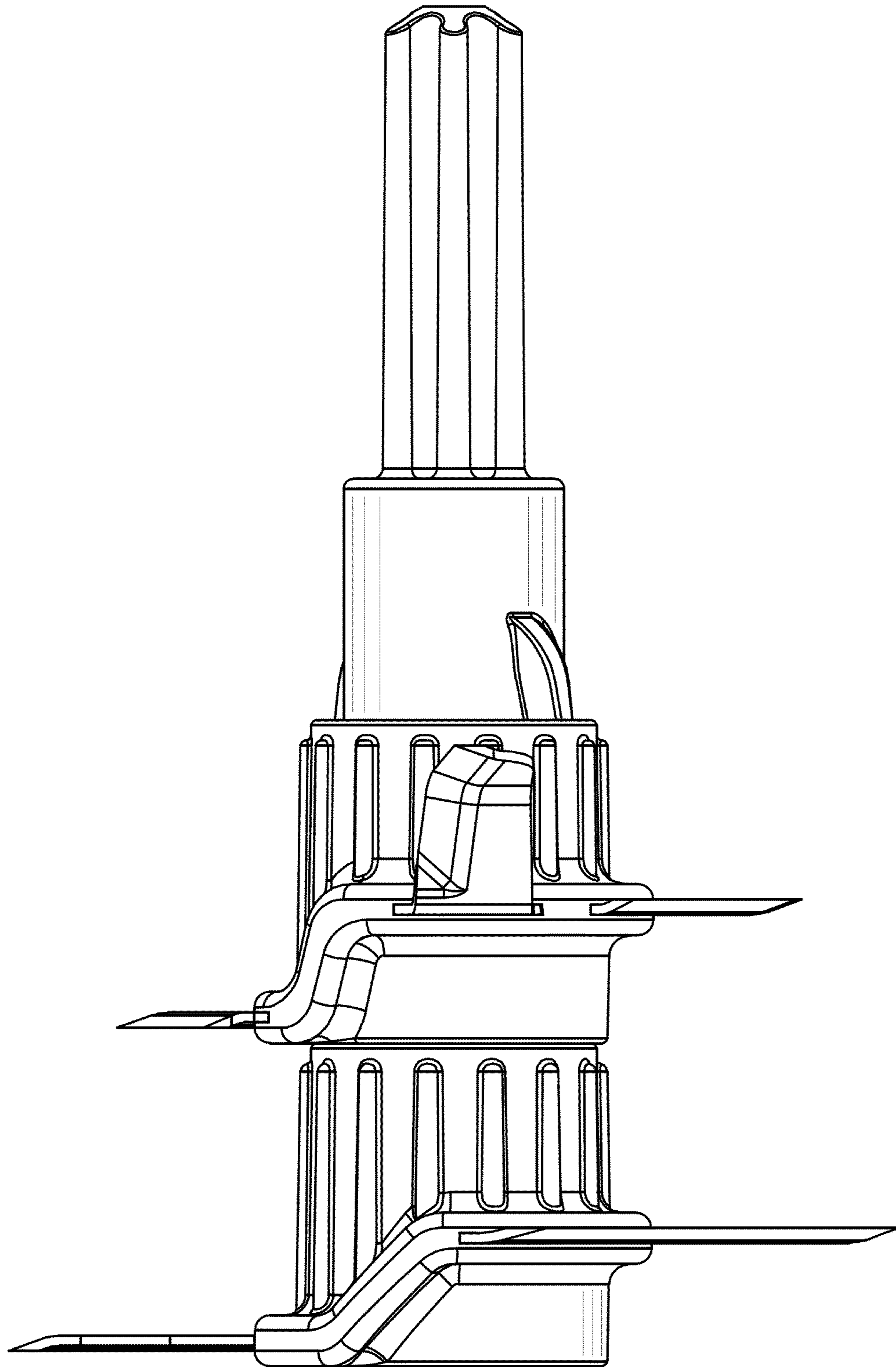


FIG. 11

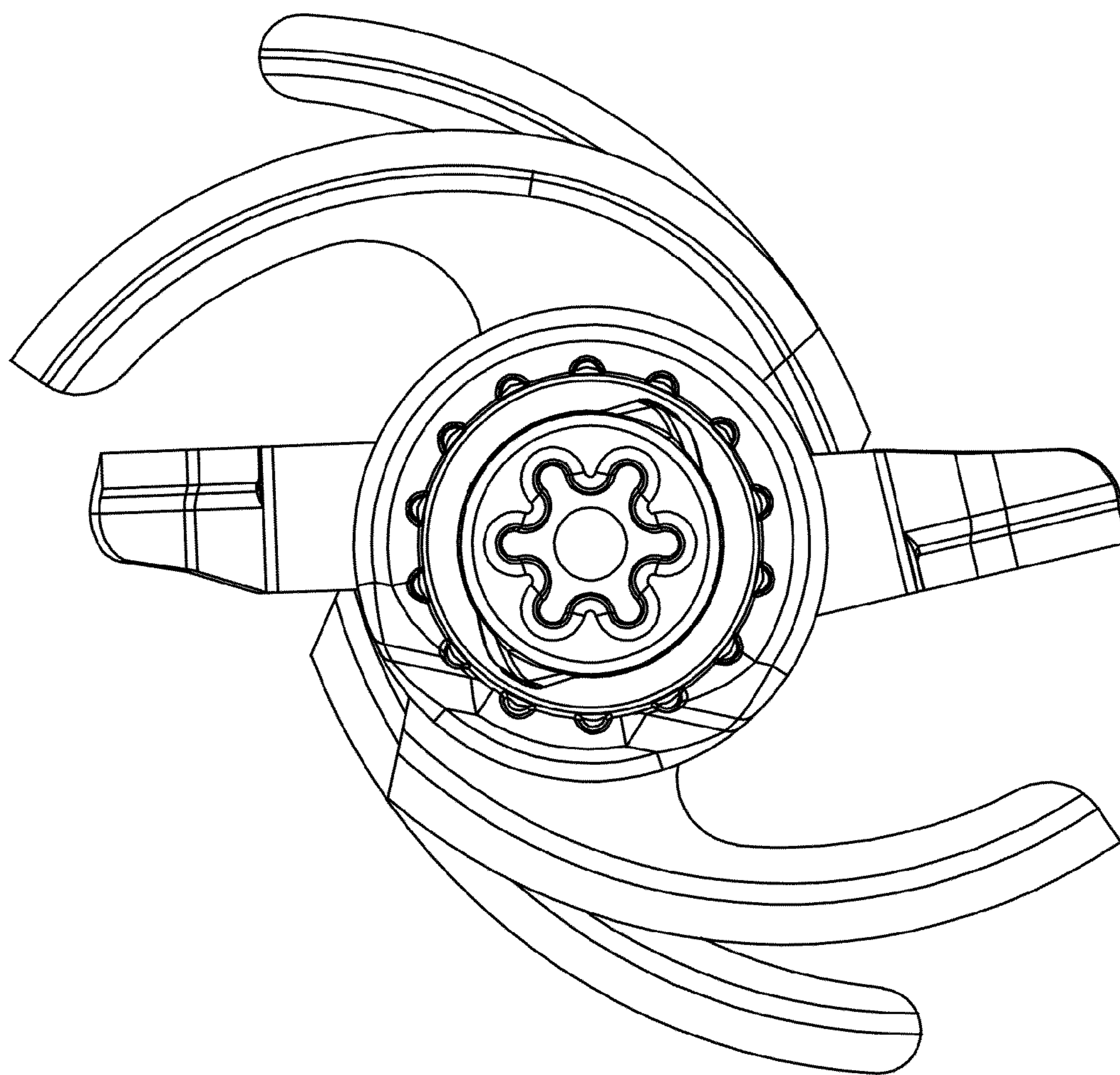


FIG. 12

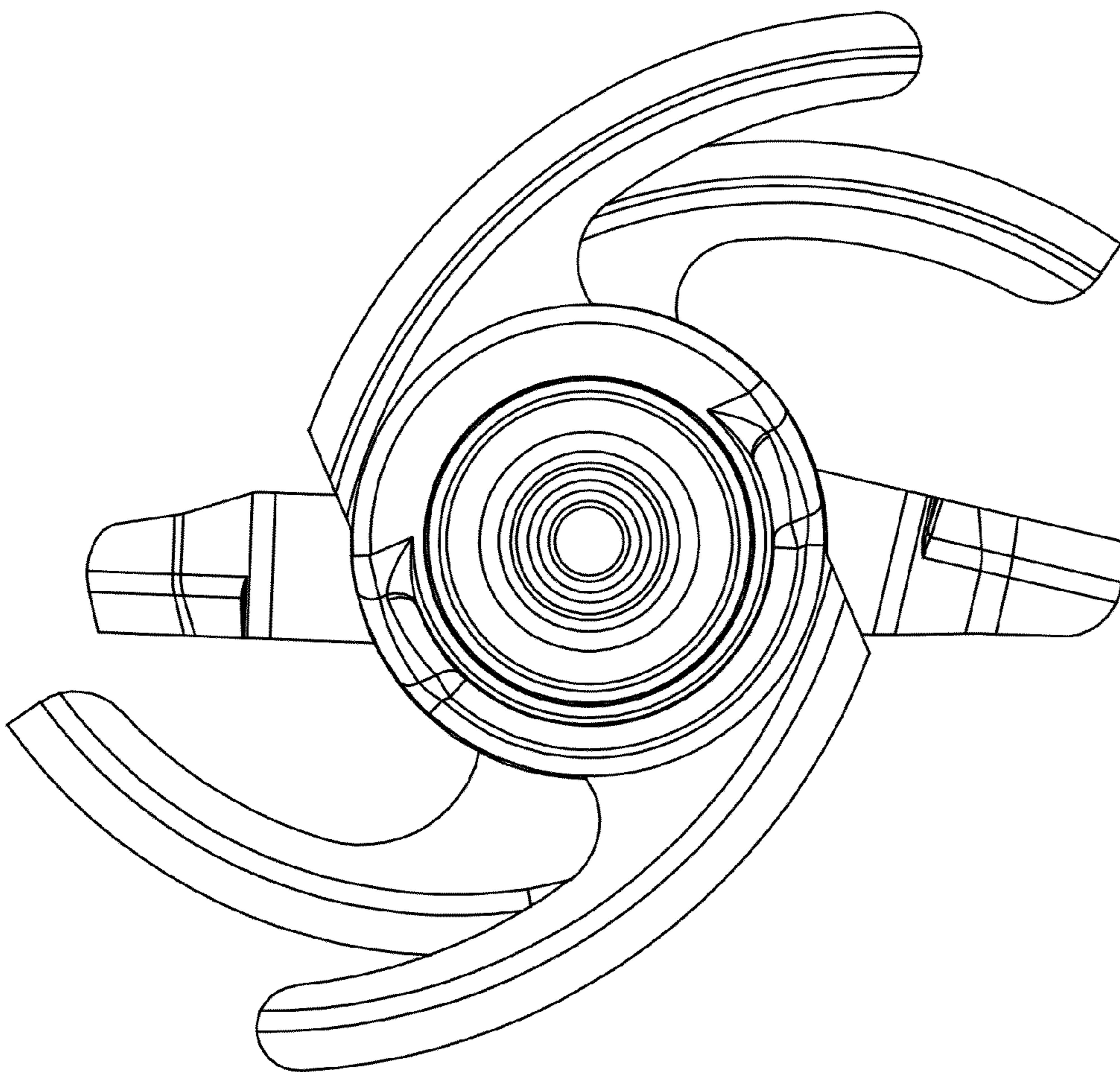


FIG. 13

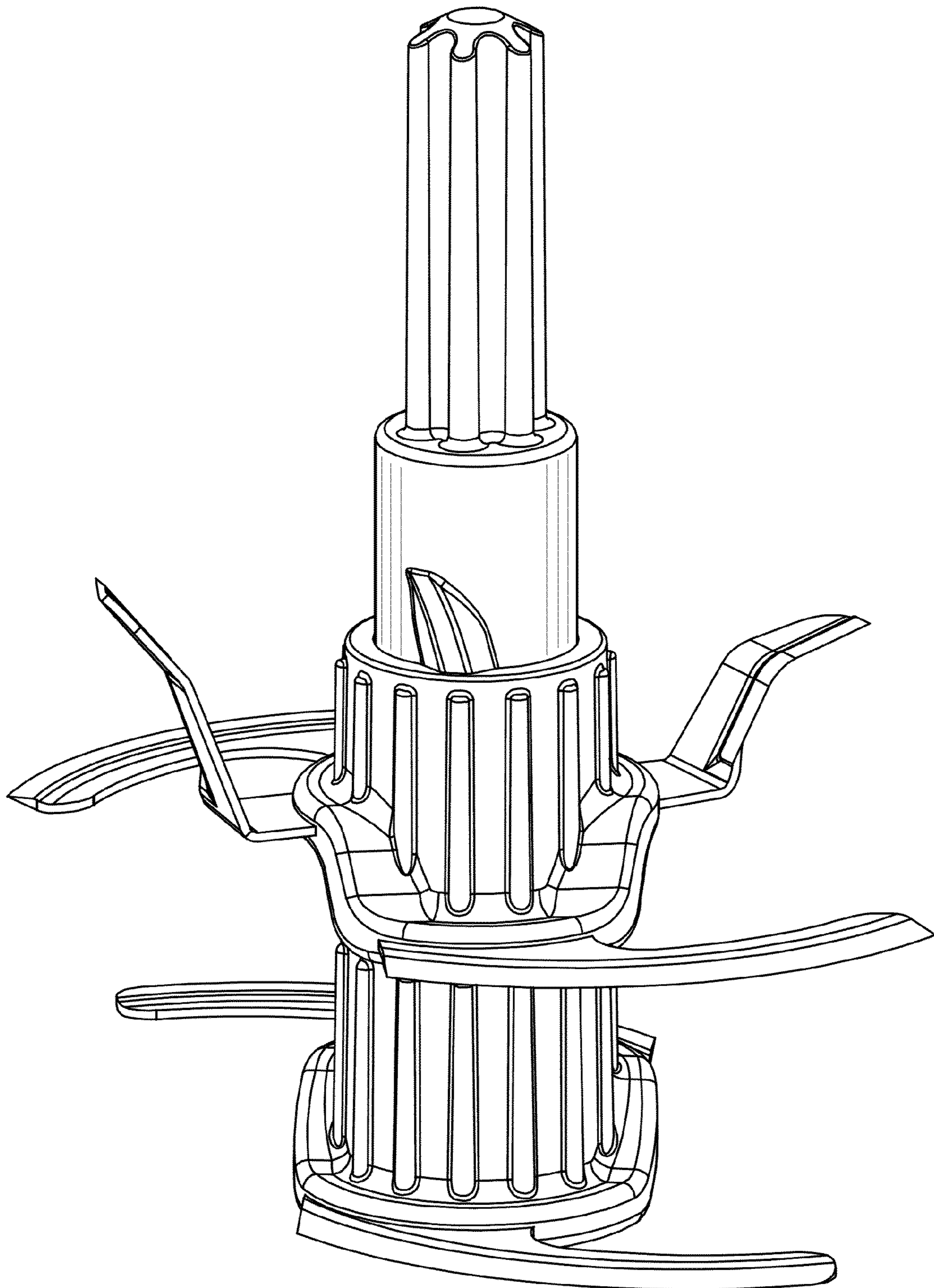


FIG. 14



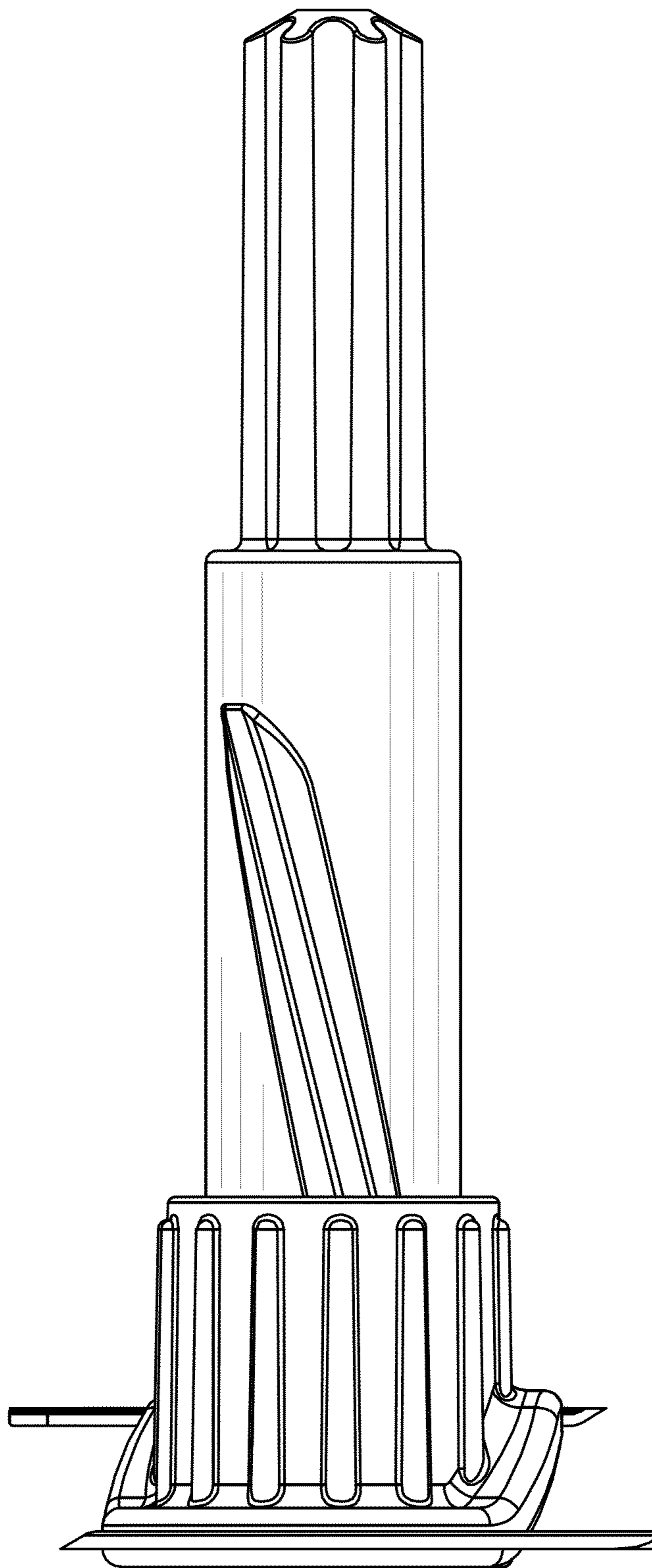


FIG. 15

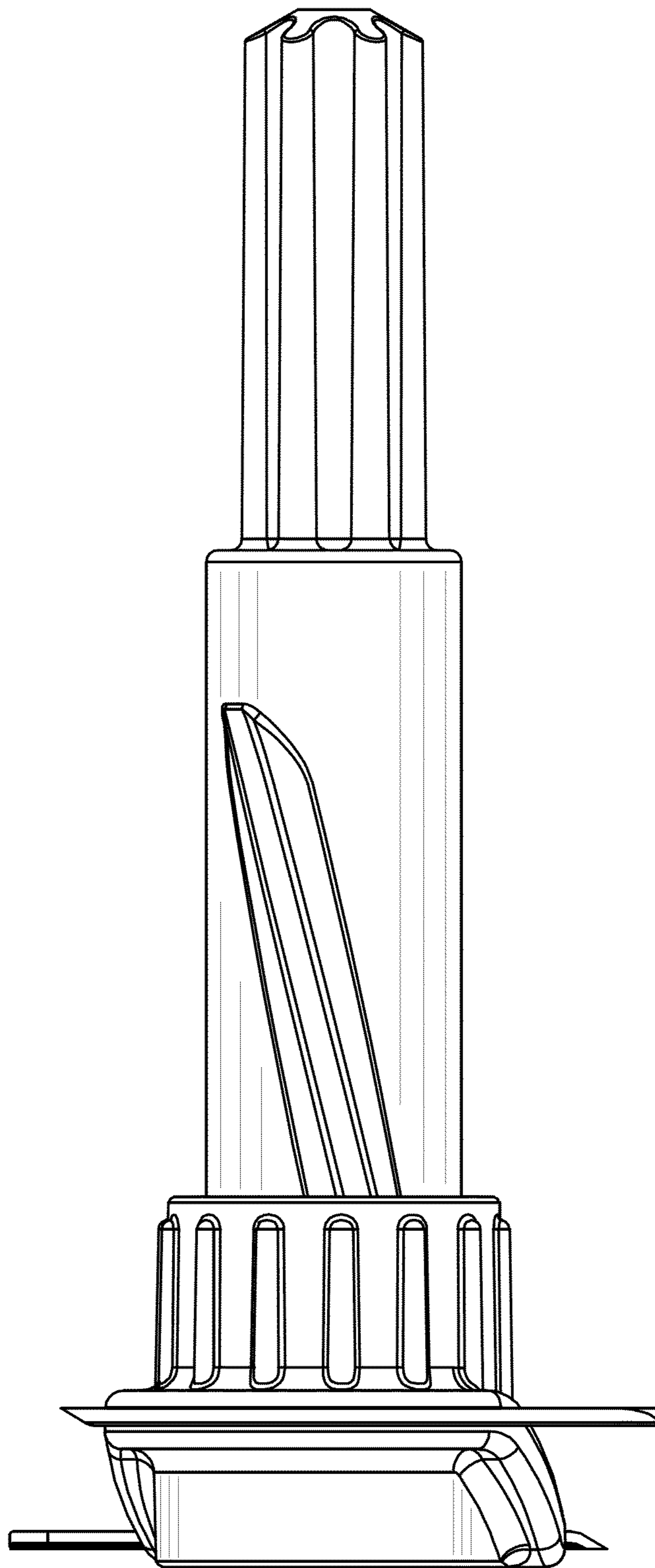


FIG. 16

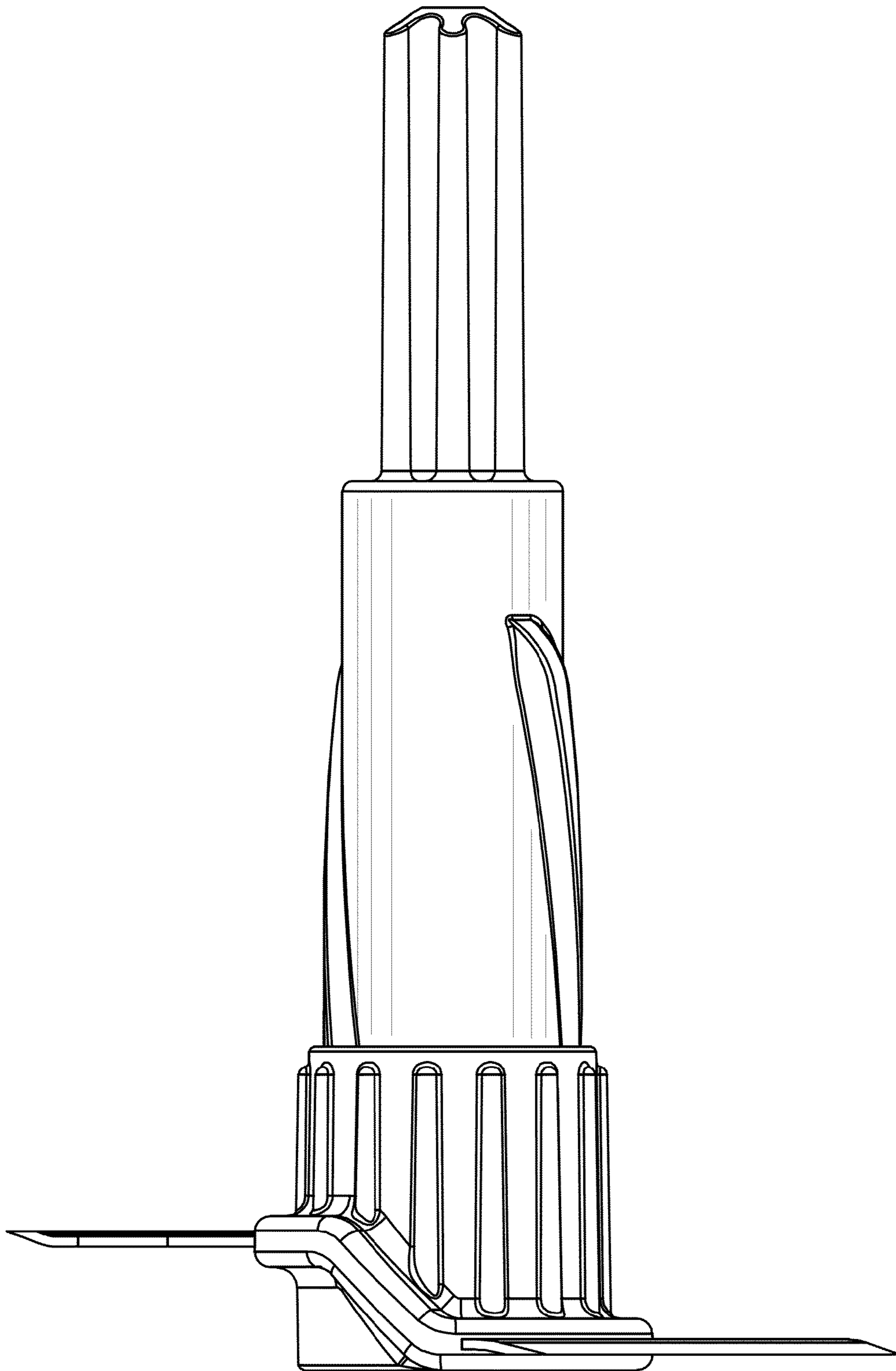


FIG. 17

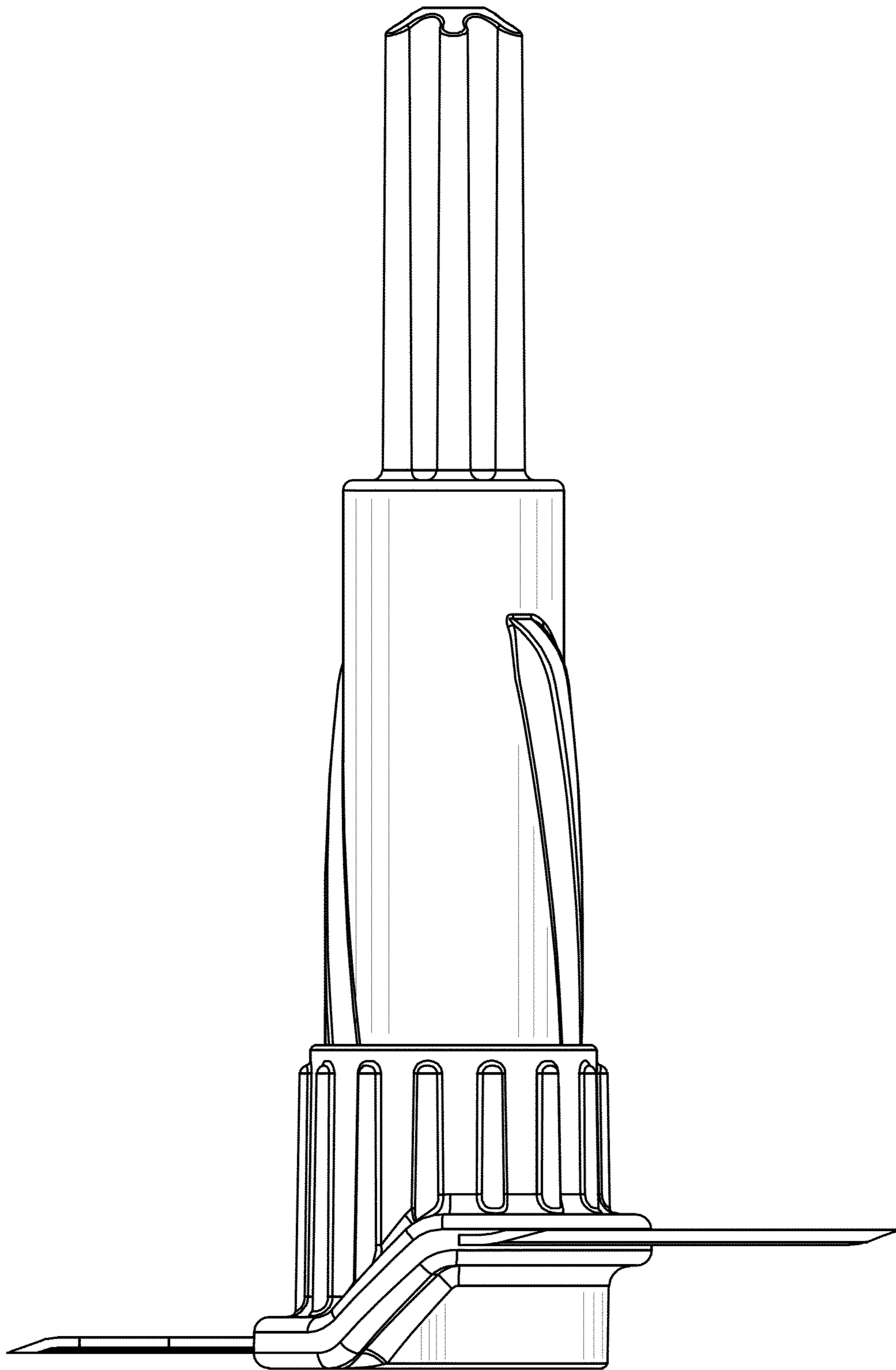


FIG. 18



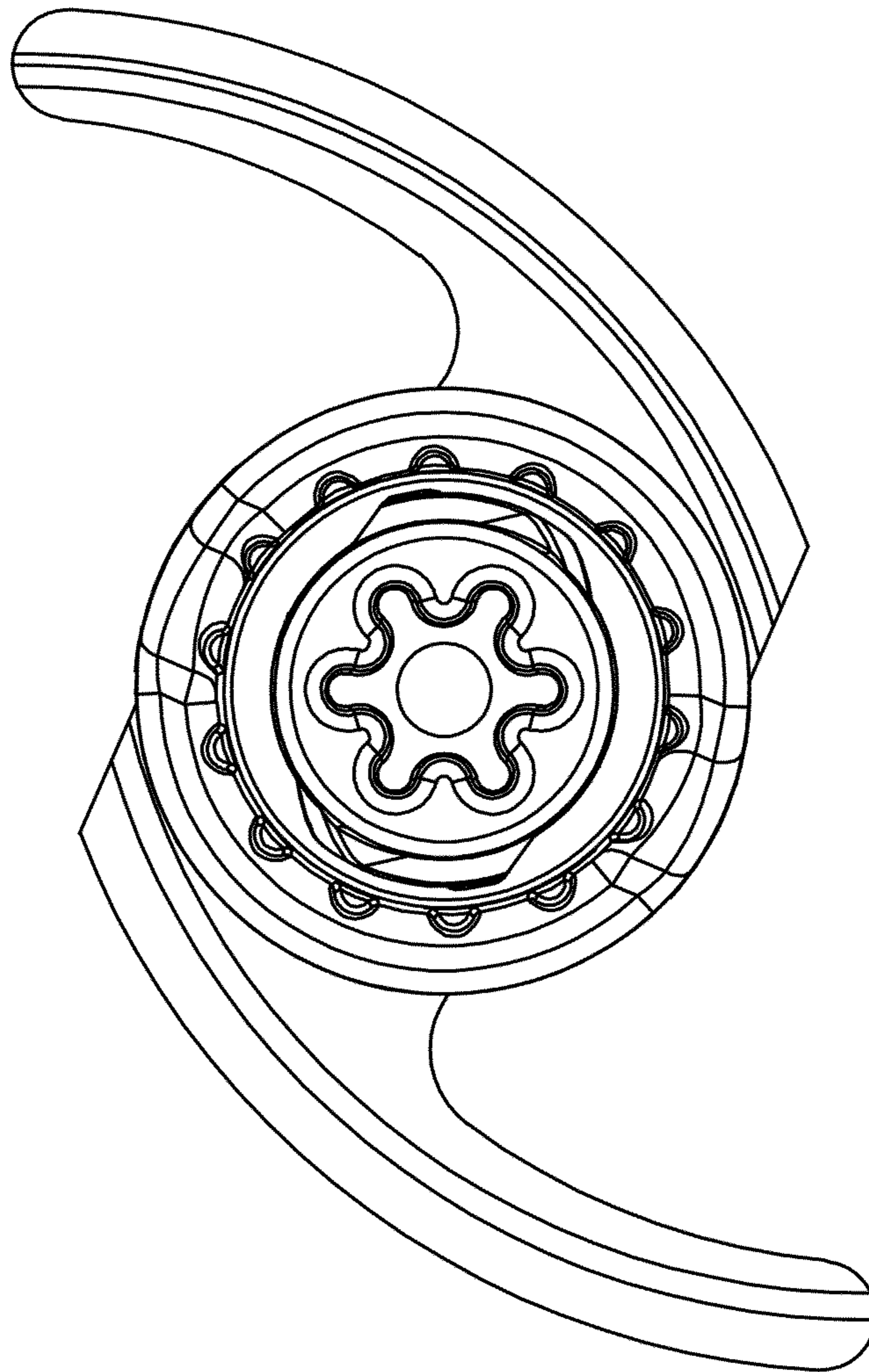


FIG. 19

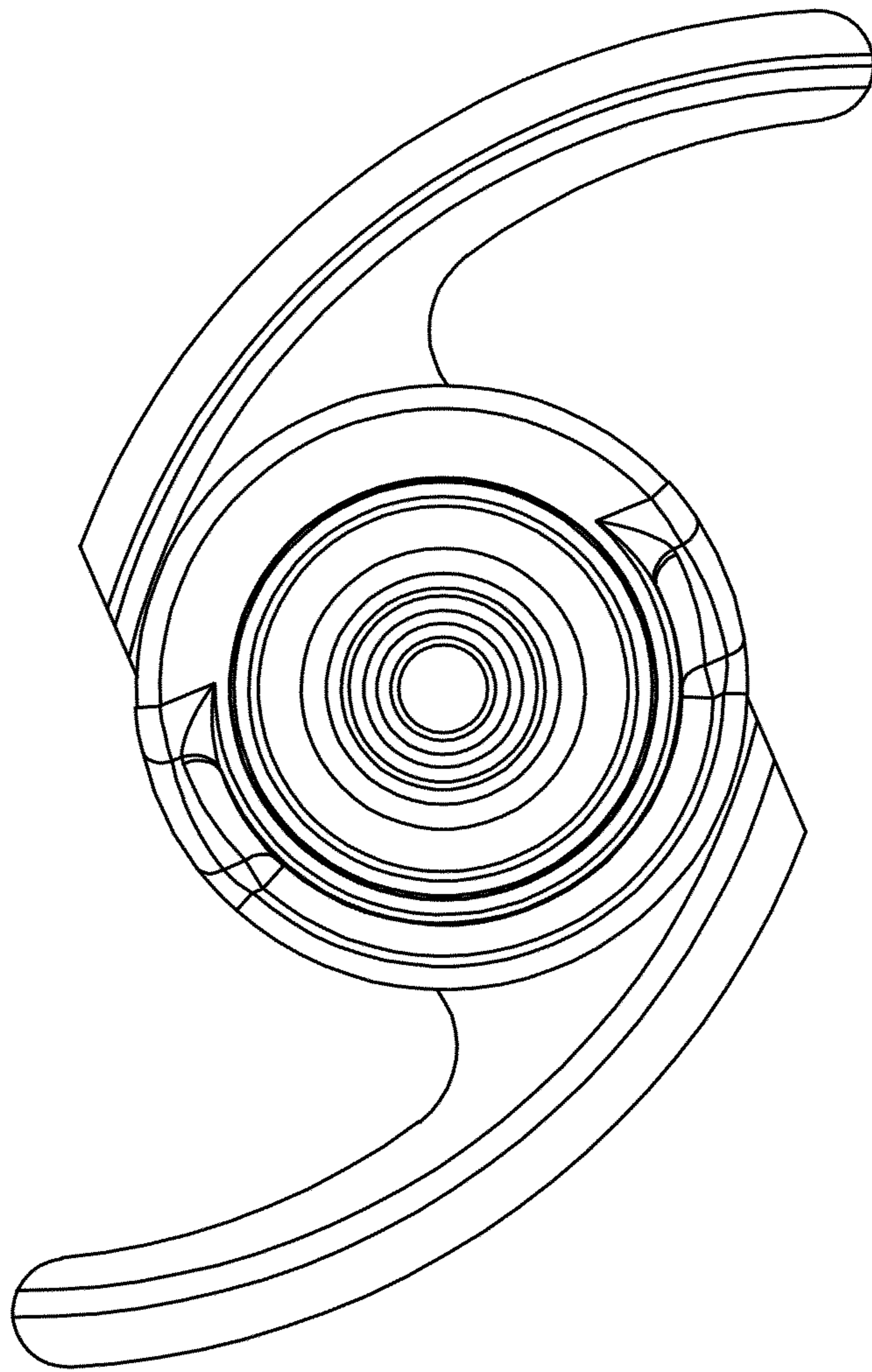


FIG. 20

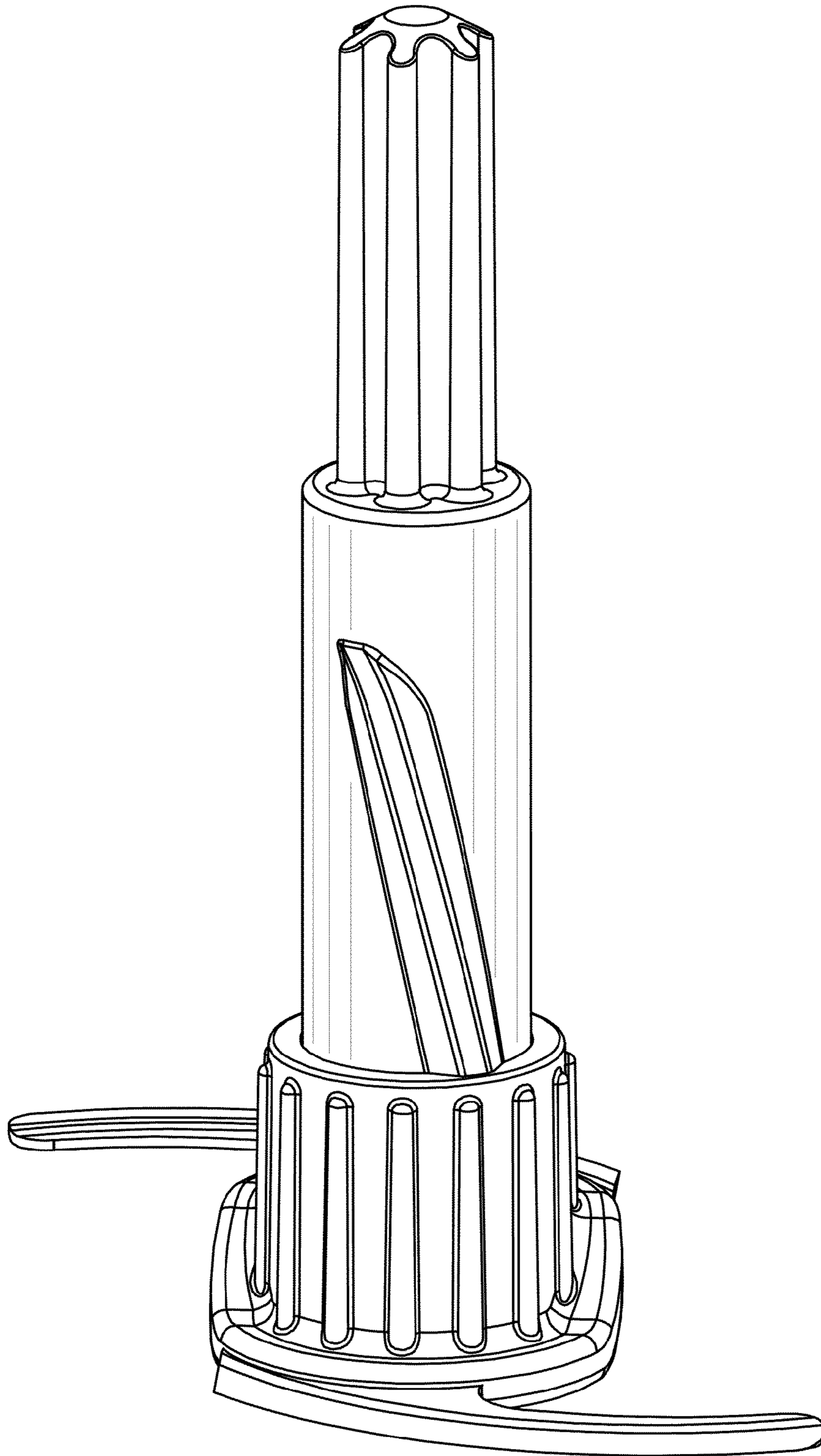


FIG. 21

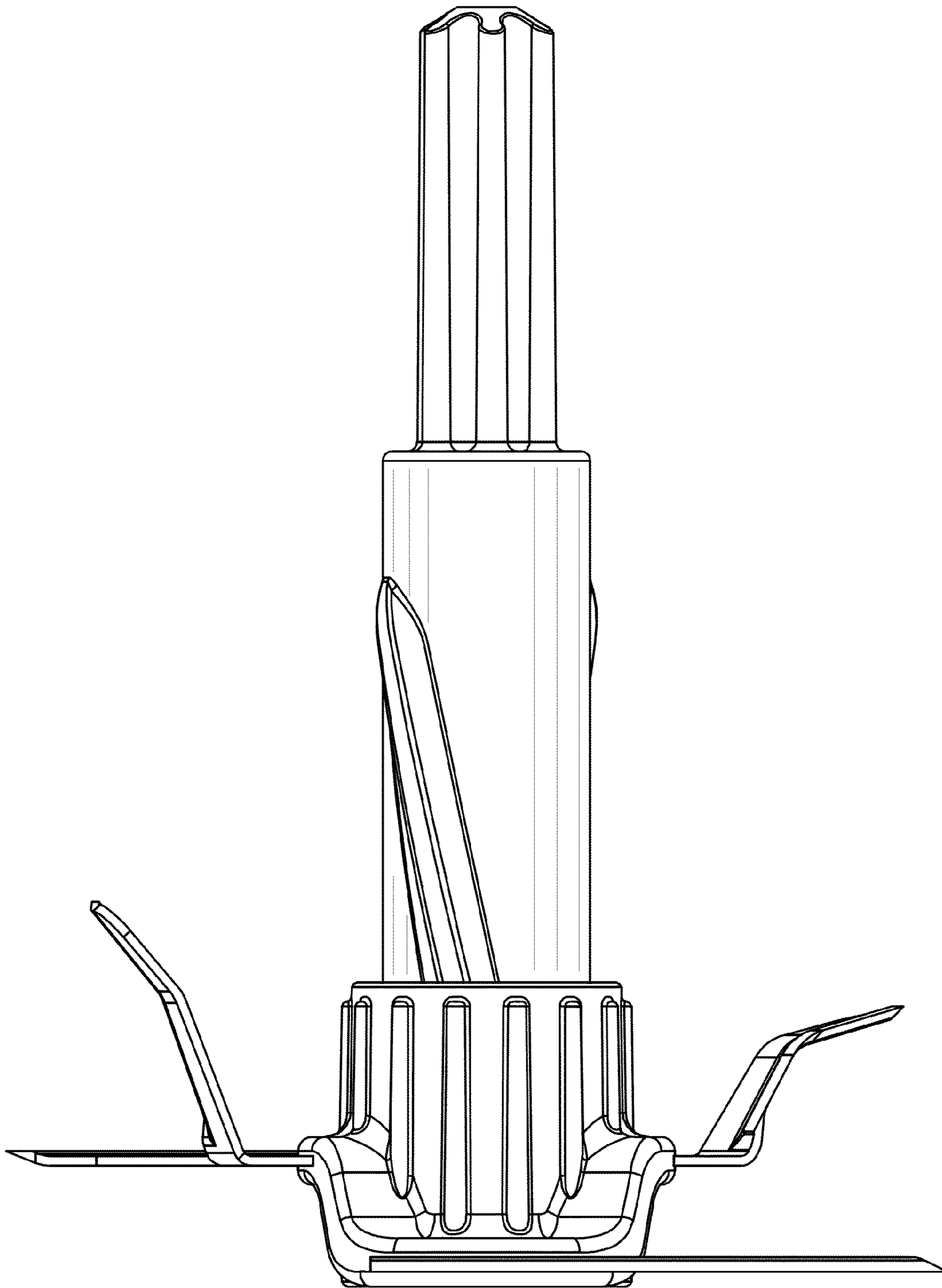


FIG. 22



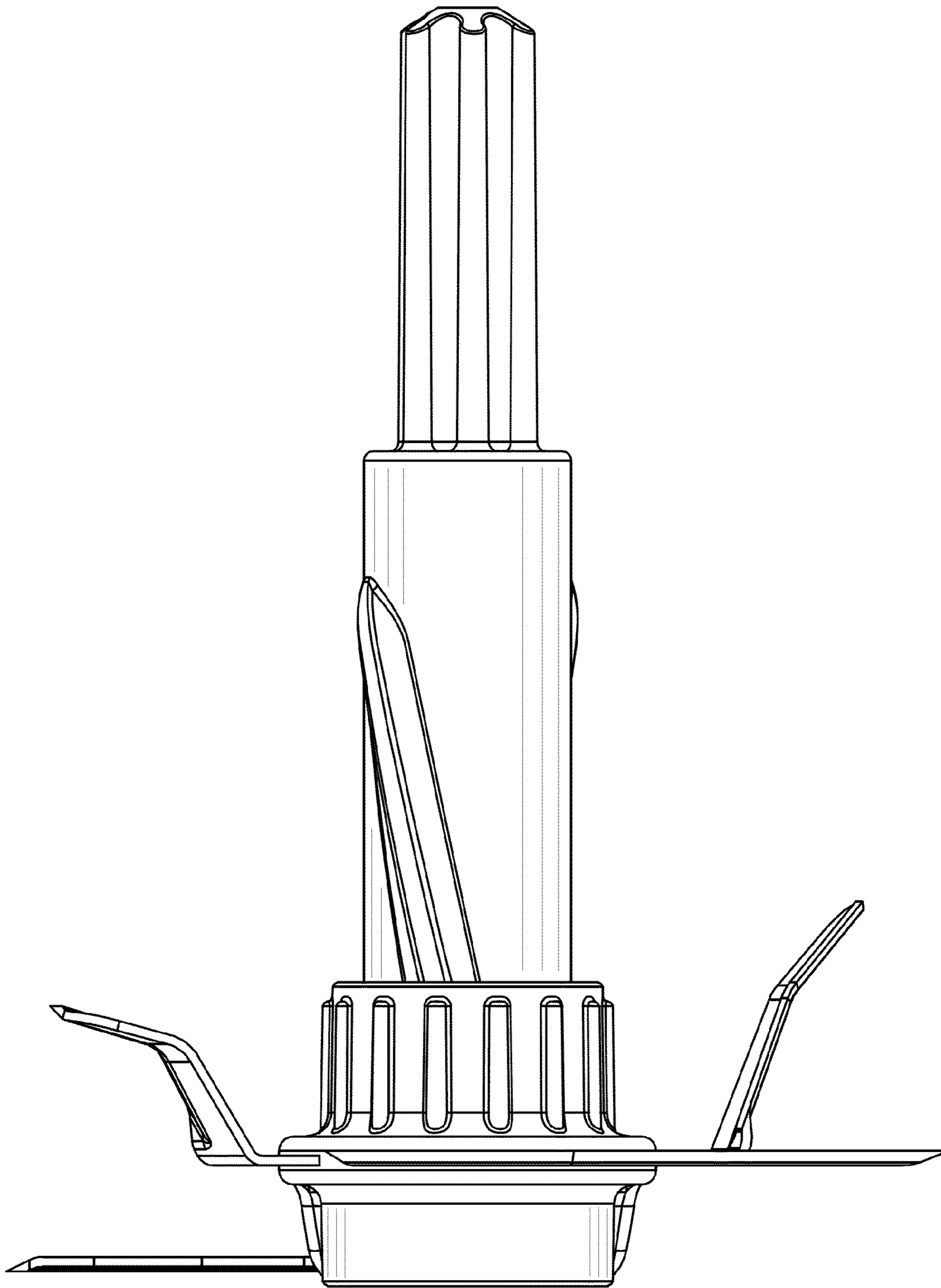


FIG. 23

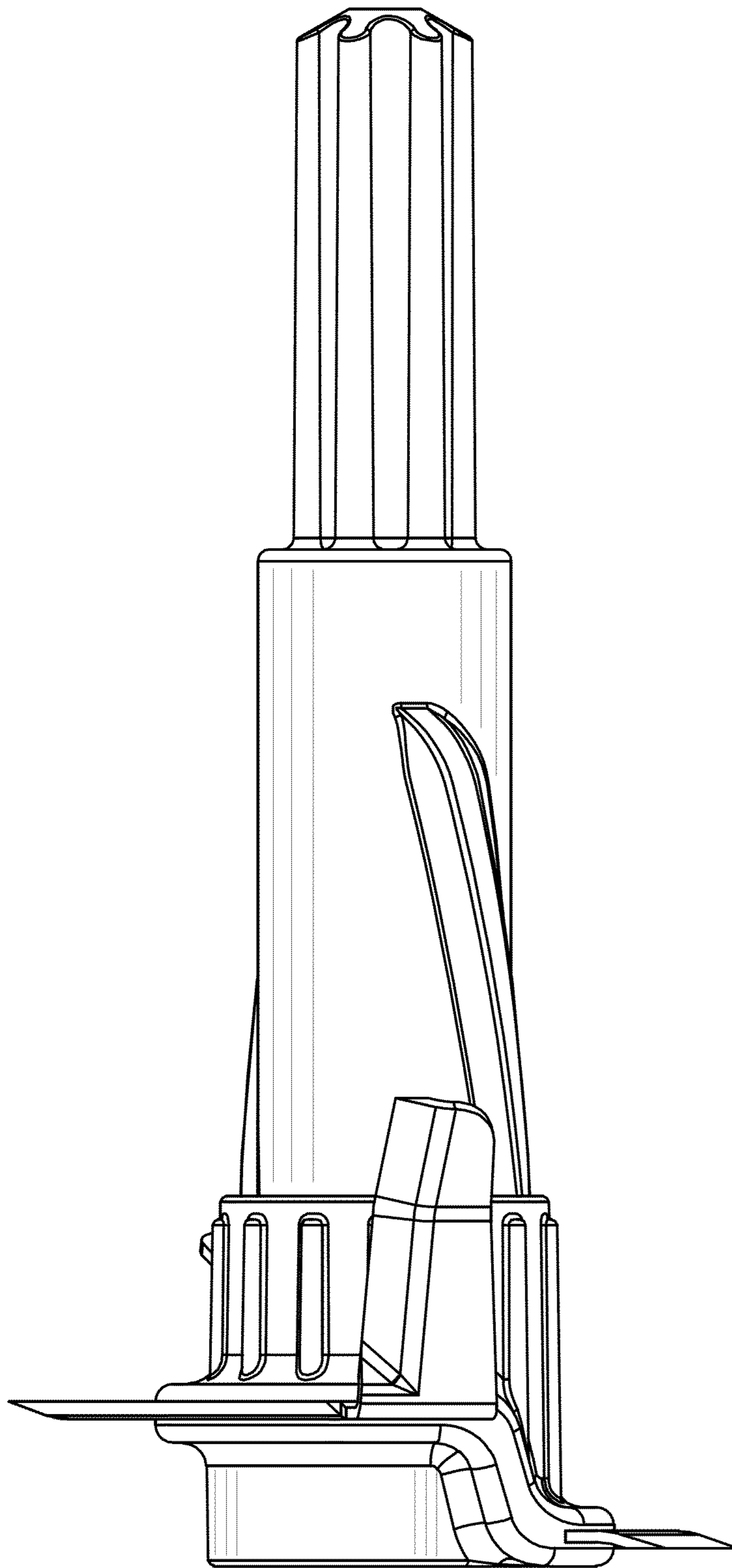


FIG. 24

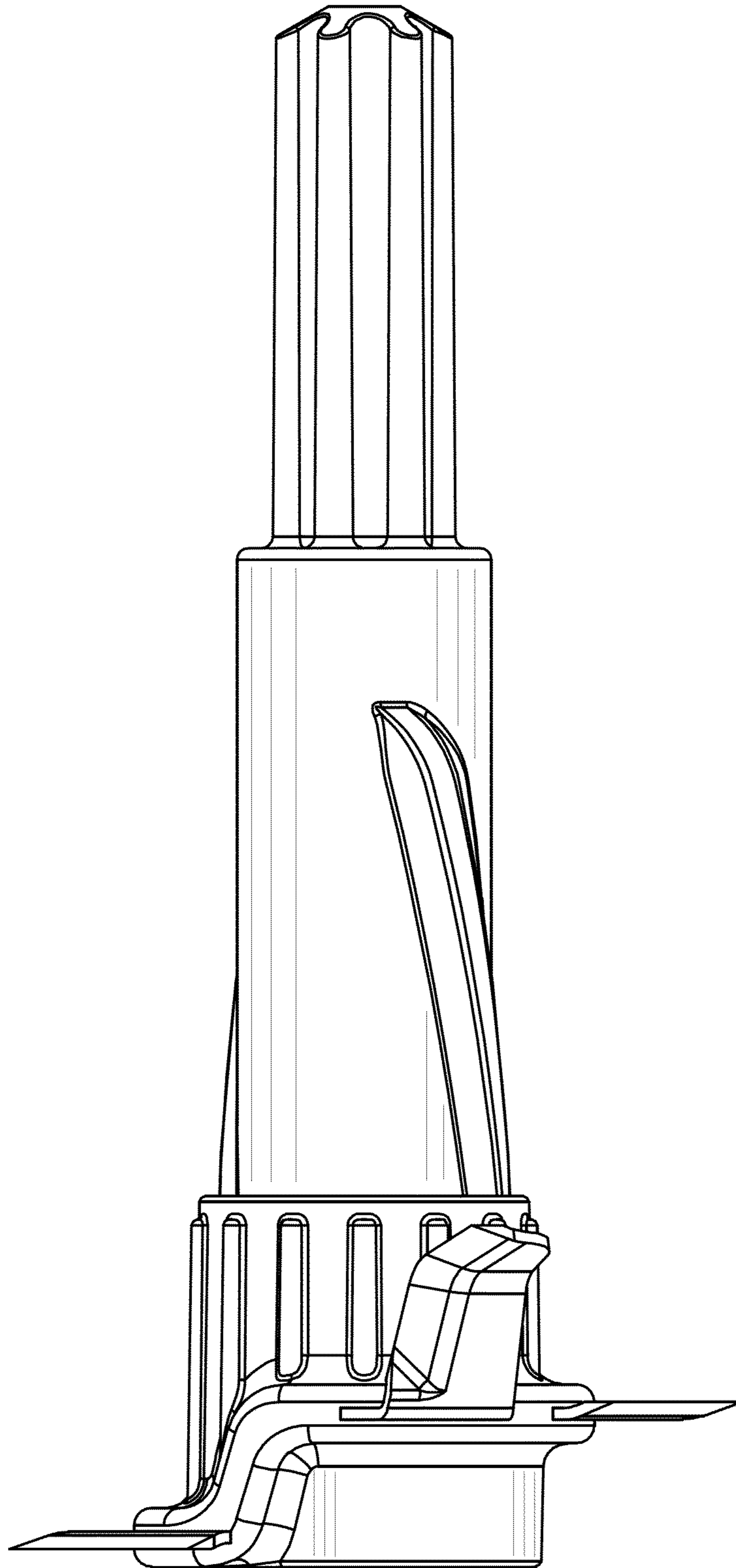


FIG. 25

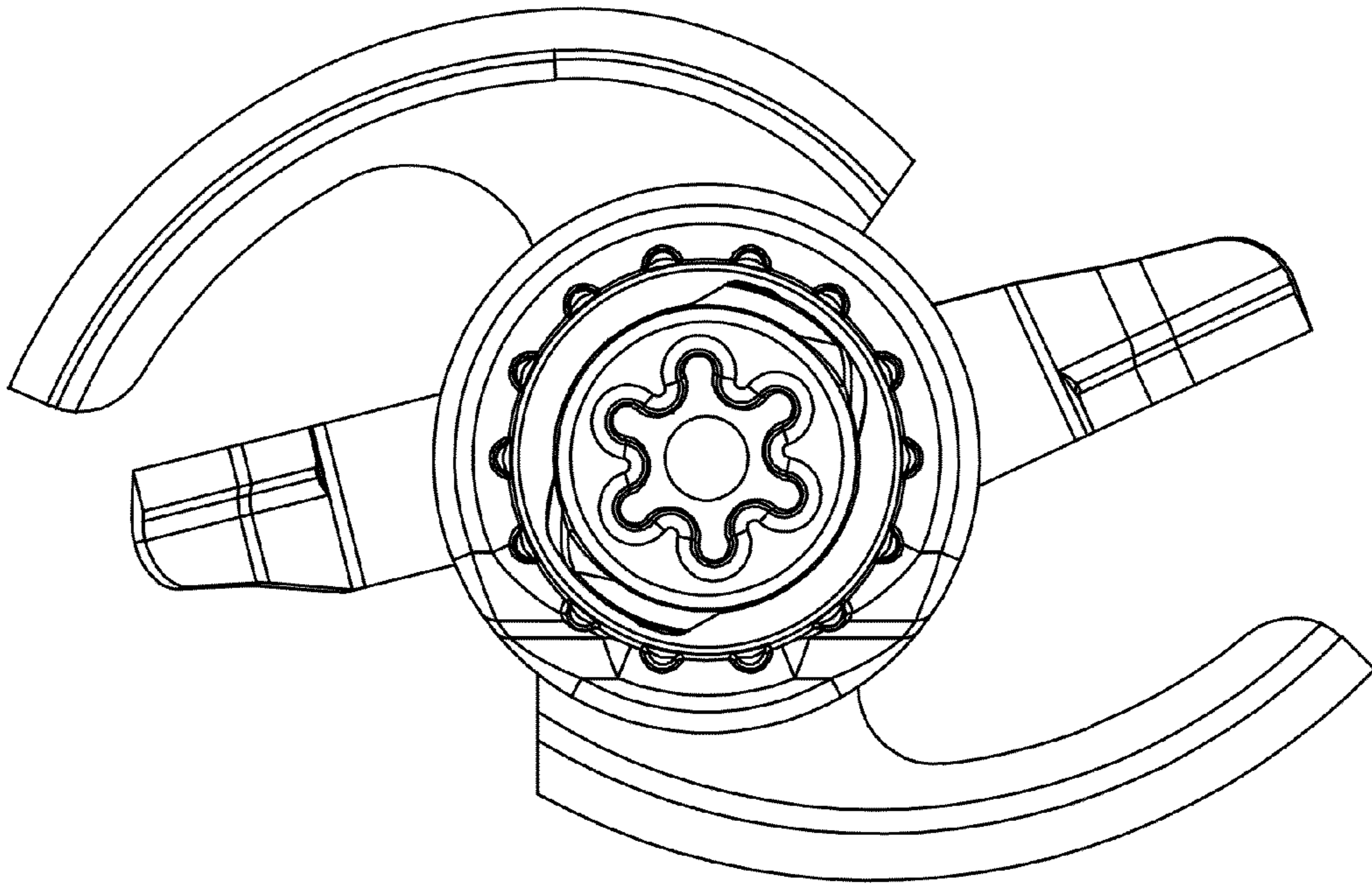


FIG. 26

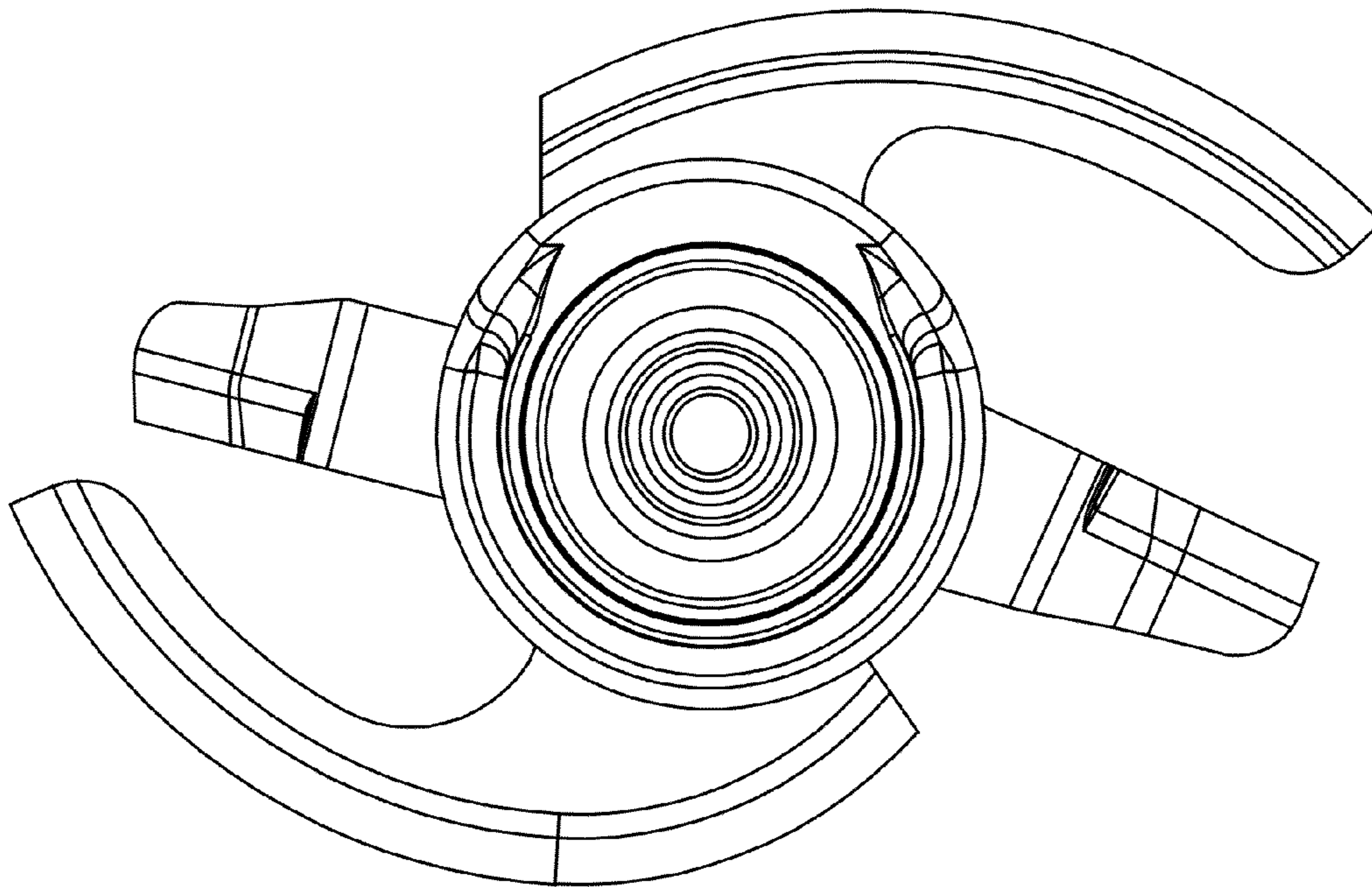


FIG. 27



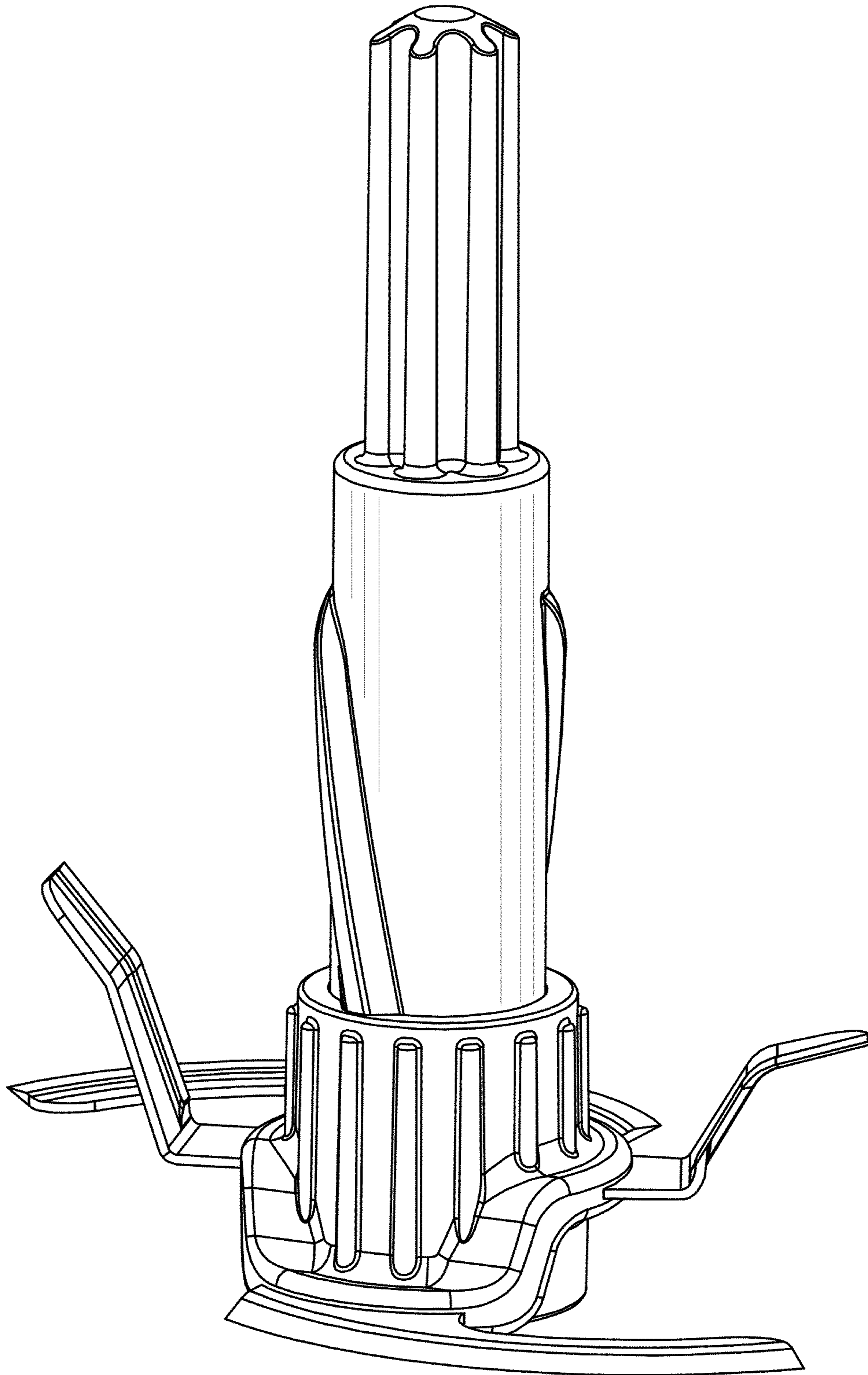


FIG. 28