



US00D709320S

(12) **United States Design Patent**
Jagger

(10) **Patent No.:** **US D709,320 S**

(45) **Date of Patent:** **** Jul. 22, 2014**

(54) **LID AND SPOUT FOR A NONSPILL CUP**

(75) Inventor: **Robin Drummond Jagger**, Bayswater (AU)

(73) Assignee: **Little People Manufacturing Ltd.**, Wanchai (HK)

(**) Term: **14 Years**

(21) Appl. No.: **29/411,096**

(22) Filed: **Jan. 17, 2012**

(30) **Foreign Application Priority Data**

Jul. 15, 2011 (EM) 001892233-0002

(51) **LOC (10) Cl.** **07-02**

(52) **U.S. Cl.**
USPC **D7/392.1; D7/510**

(58) **Field of Classification Search**
USPC D24/197; D7/510-511, 392, 392.1, D7/533-536, 900; 215/11.1, 11.4-11.6, 215/319; 220/253, 703, 713, 714, 717, 220/62.12, 62.14; 606/234-236; D9/435, D9/447

See application file for complete search history.

(56) **References Cited**

U.S. PATENT DOCUMENTS

D345,673 S *	4/1994	Dark	D7/392.1
D347,552 S *	6/1994	Green	D7/534
D361,469 S *	8/1995	Young	D7/392.1
D397,906 S *	9/1998	Briggs et al.	D7/392.1
5,890,621 A *	4/1999	Bachman et al.	220/717
D417,591 S *	12/1999	Roehrig	D7/510
D421,878 S *	3/2000	Roehrig	D7/510
6,321,931 B1 *	11/2001	Hakim et al.	220/714
D454,642 S *	3/2002	Hakim	D24/197
D457,778 S *	5/2002	Randolph et al.	D7/392.1
D460,322 S *	7/2002	Orr et al.	D7/510
D461,361 S *	8/2002	Orr et al.	D7/392.1

D473,423 S *	4/2003	Rhoad	D7/392.1
D538,597 S *	3/2007	Kim	D7/510
D574,488 S *	8/2008	Chauvin	D24/121
D642,435 S *	8/2011	Schofield et al.	D7/510
D642,438 S *	8/2011	Schofield et al.	D7/510
D644,067 S *	8/2011	Valderrama et al.	D7/534

* cited by examiner

Primary Examiner — Susan E Krakower

(74) *Attorney, Agent, or Firm* — Marshall, Gerstein & Borun LLP

(57) **CLAIM**

The ornamental design for a lid and spout for a nonspill cup, as shown and described.

DESCRIPTION

FIG. 1 is a top plan view of a lid and nipple for a nonspill cup that has the design.

FIG. 2 is a side elevation view of the article seen in FIG. 1, the opposite side elevation view being a mirror image of this view.

FIG. 3 is a front elevation view of the article.

FIG. 4 is a rear elevation view of the article.

FIG. 5 is an orthographic projection view of the top and sides of the article.

FIG. 6 is a top plan view of the same lid and nipple for a nonspill cup, showing a related design.

FIG. 7 is a bottom plan view of the article seen in FIG. 6.

FIG. 8 is a side elevation view of the article, the opposite side elevation view being a mirror image of this view.

FIG. 9 is a front elevation view of the article.

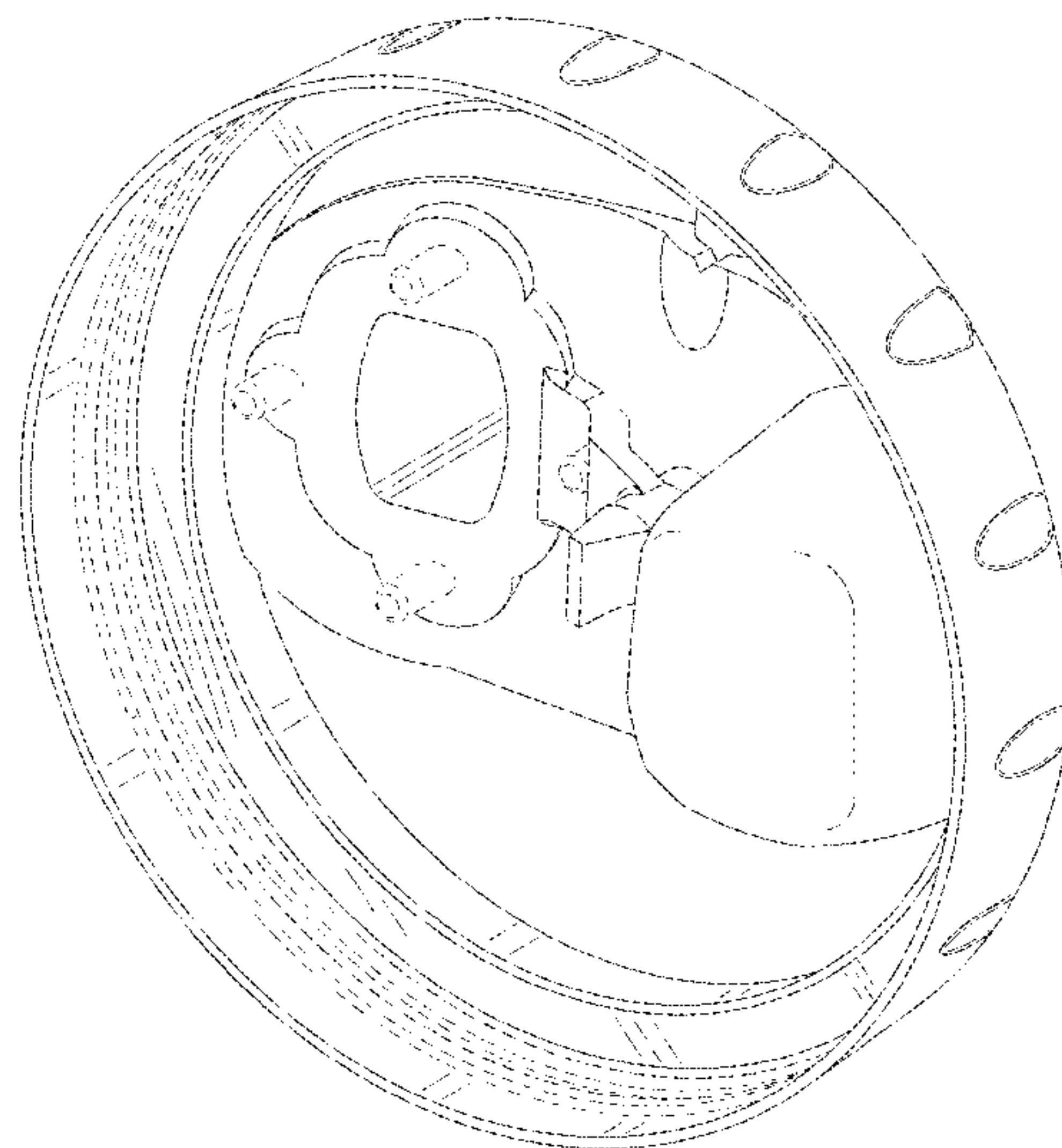
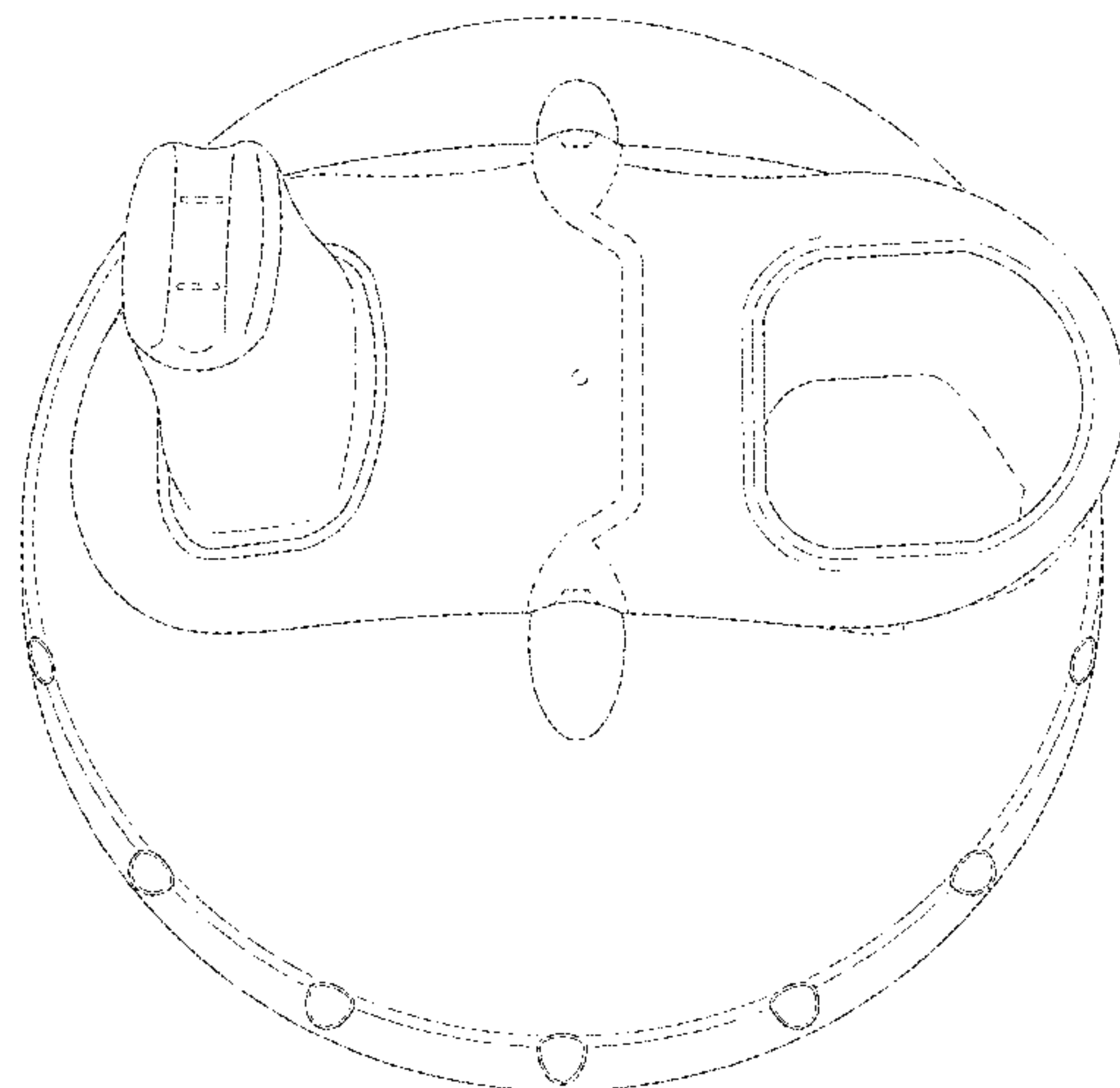
FIG. 10 is a rear elevation view of the article.

FIG. 11 is an orthographic projection view of the back, bottom, and sides of the article; and,

FIG. 12 is an orthographic projection view of the top and sides of the article.

The broken lines represent parts of the article that form no part of the claimed design.

1 Claim, 10 Drawing Sheets



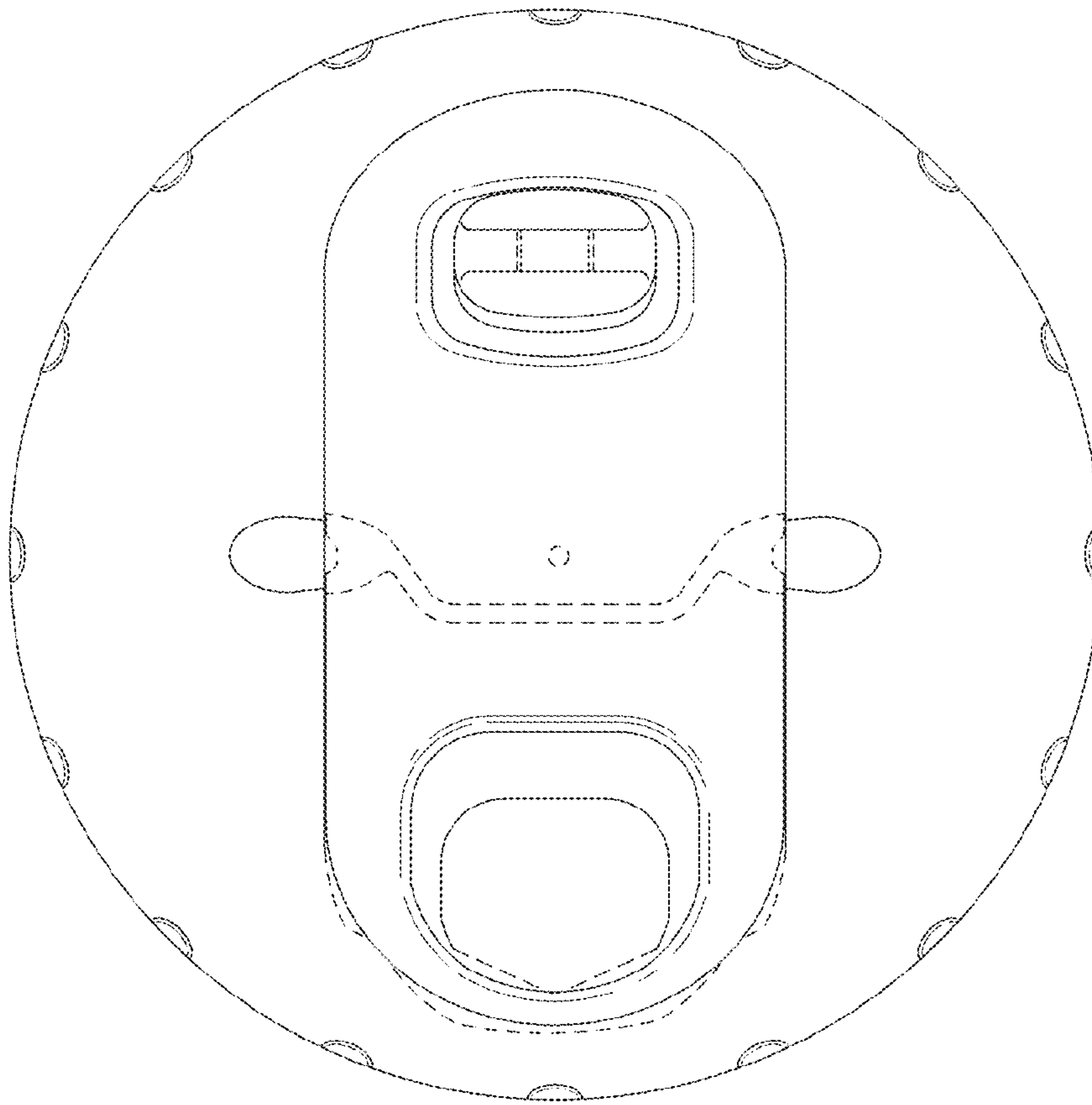


Fig. 1

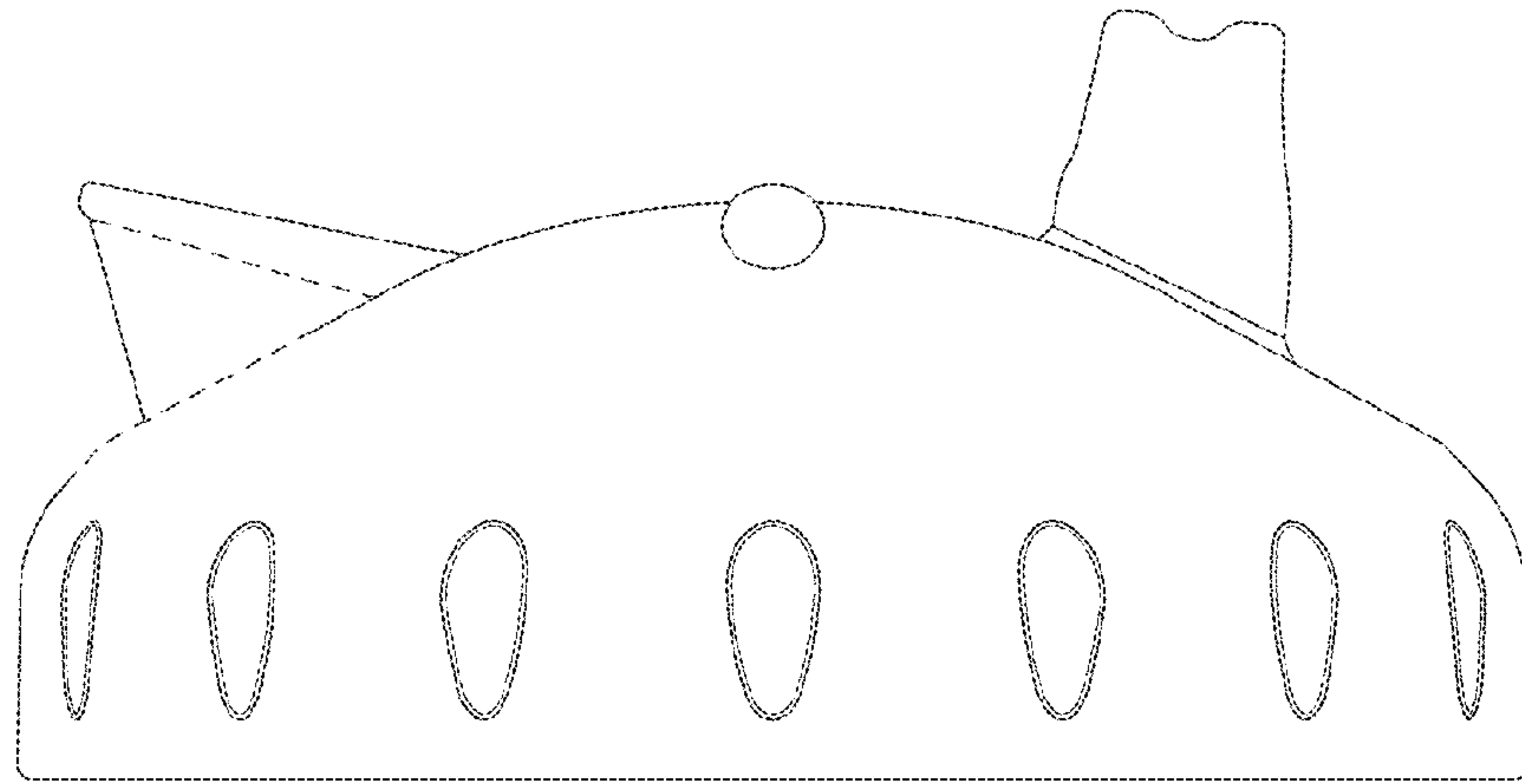


Fig. 2

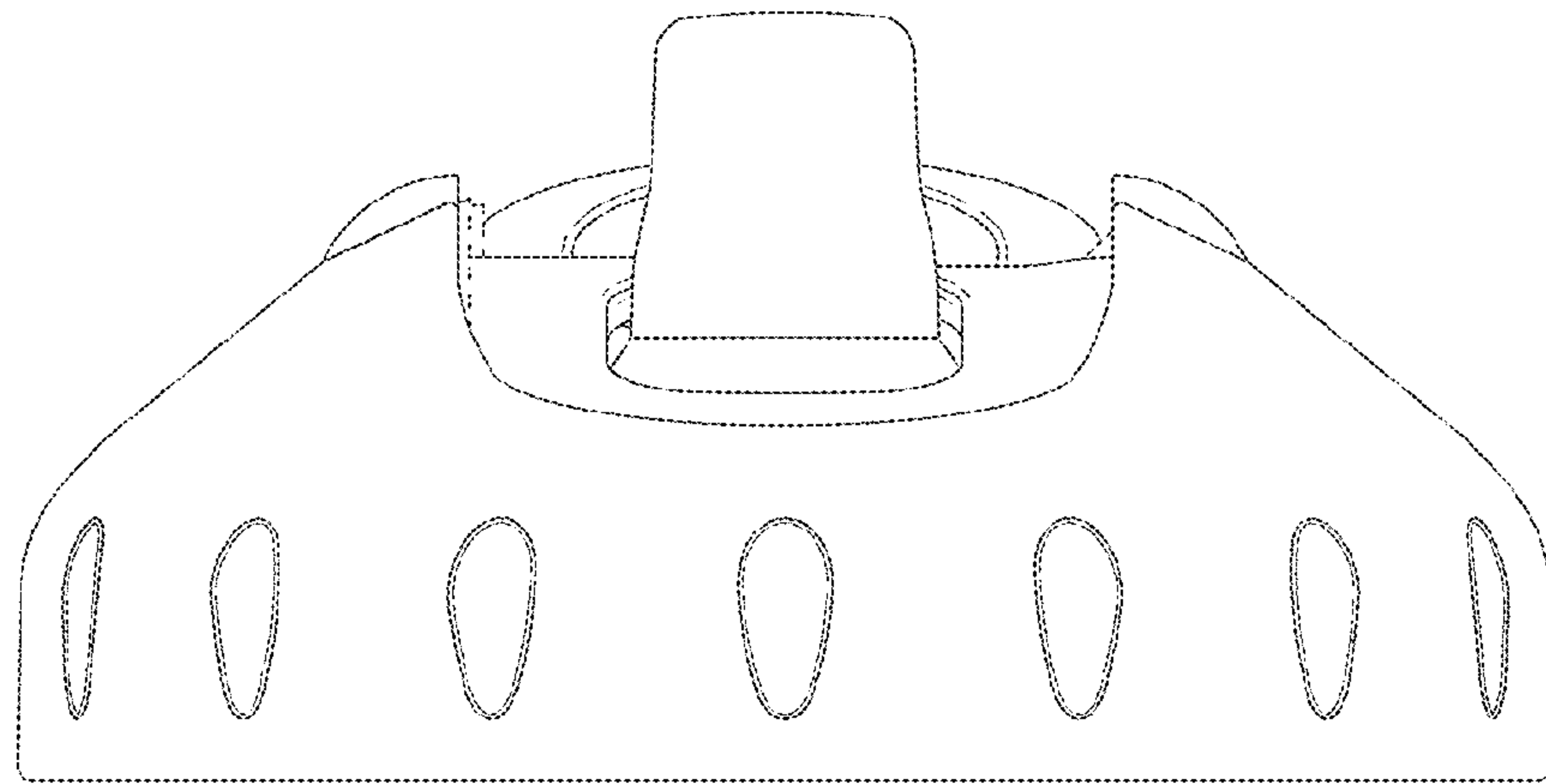


Fig. 3

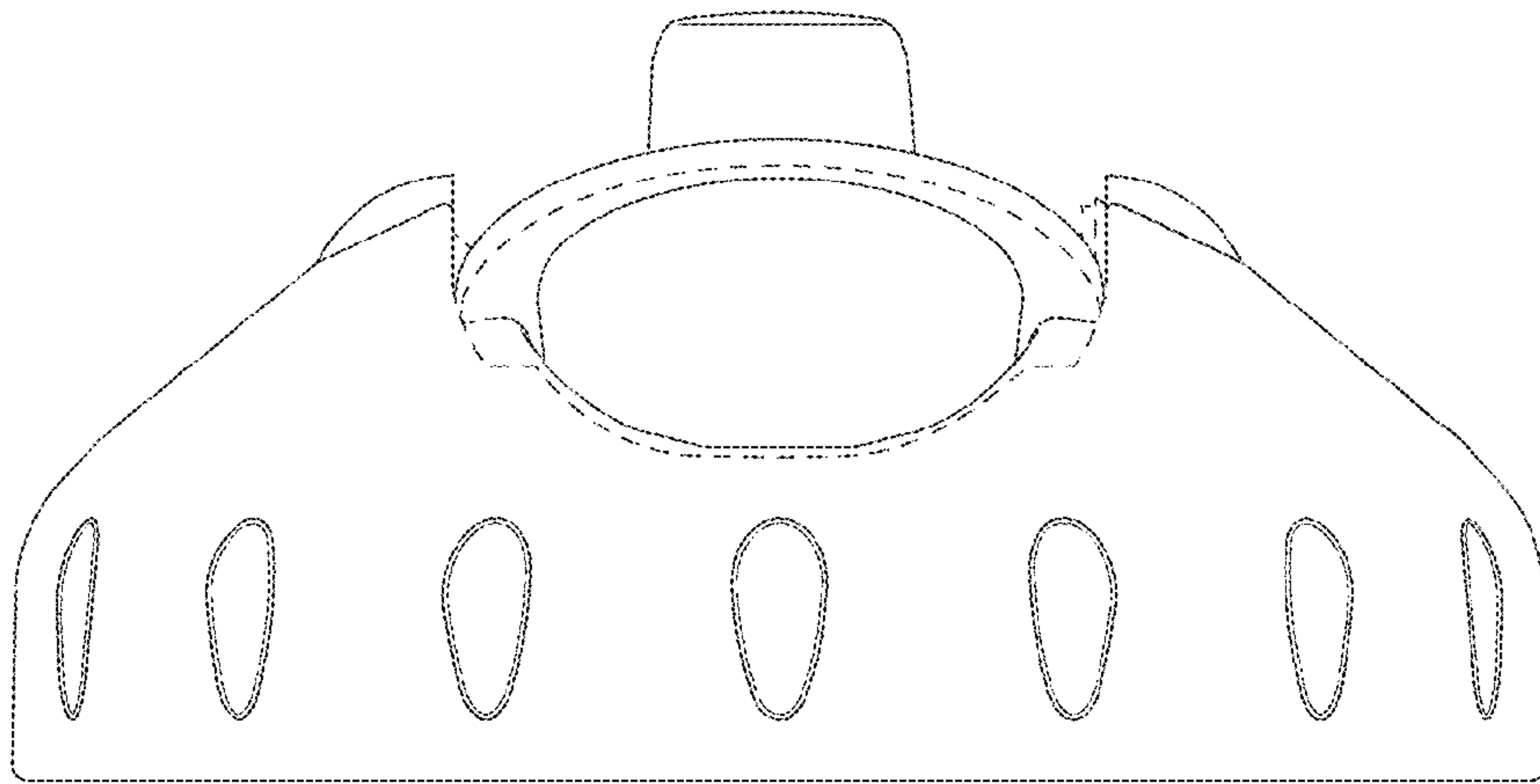


Fig. 4

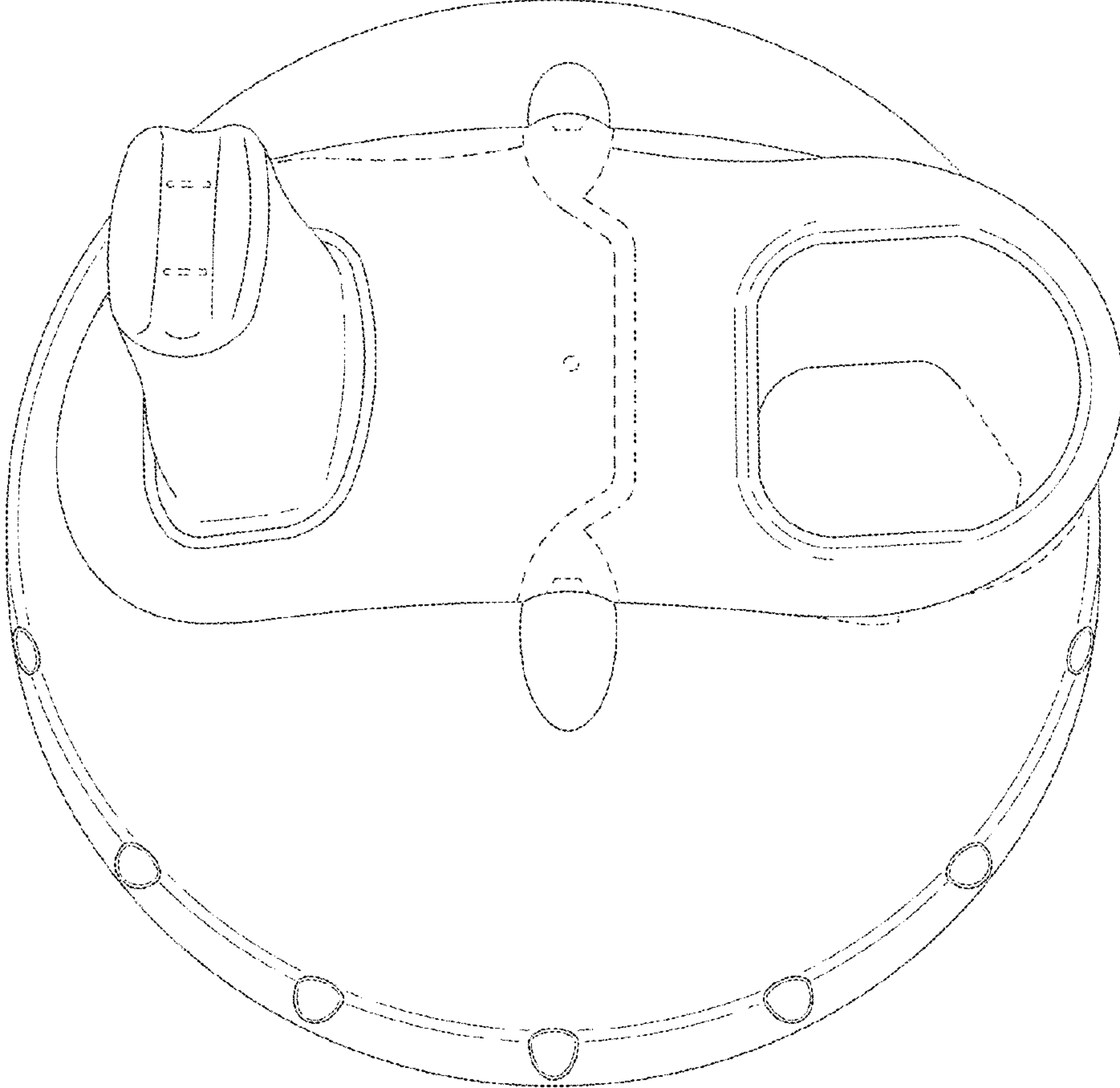


Fig. 5

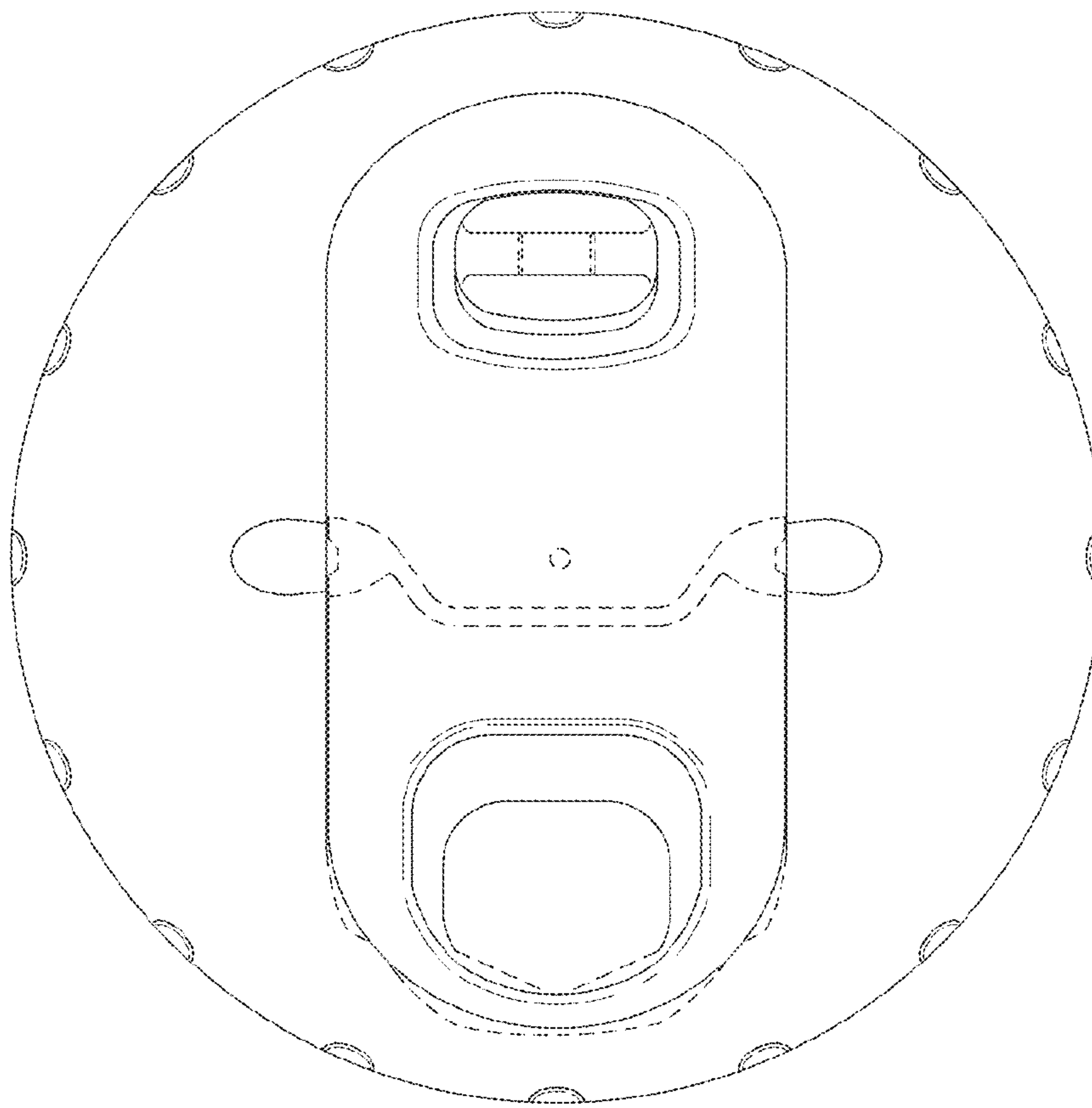


Fig. 6

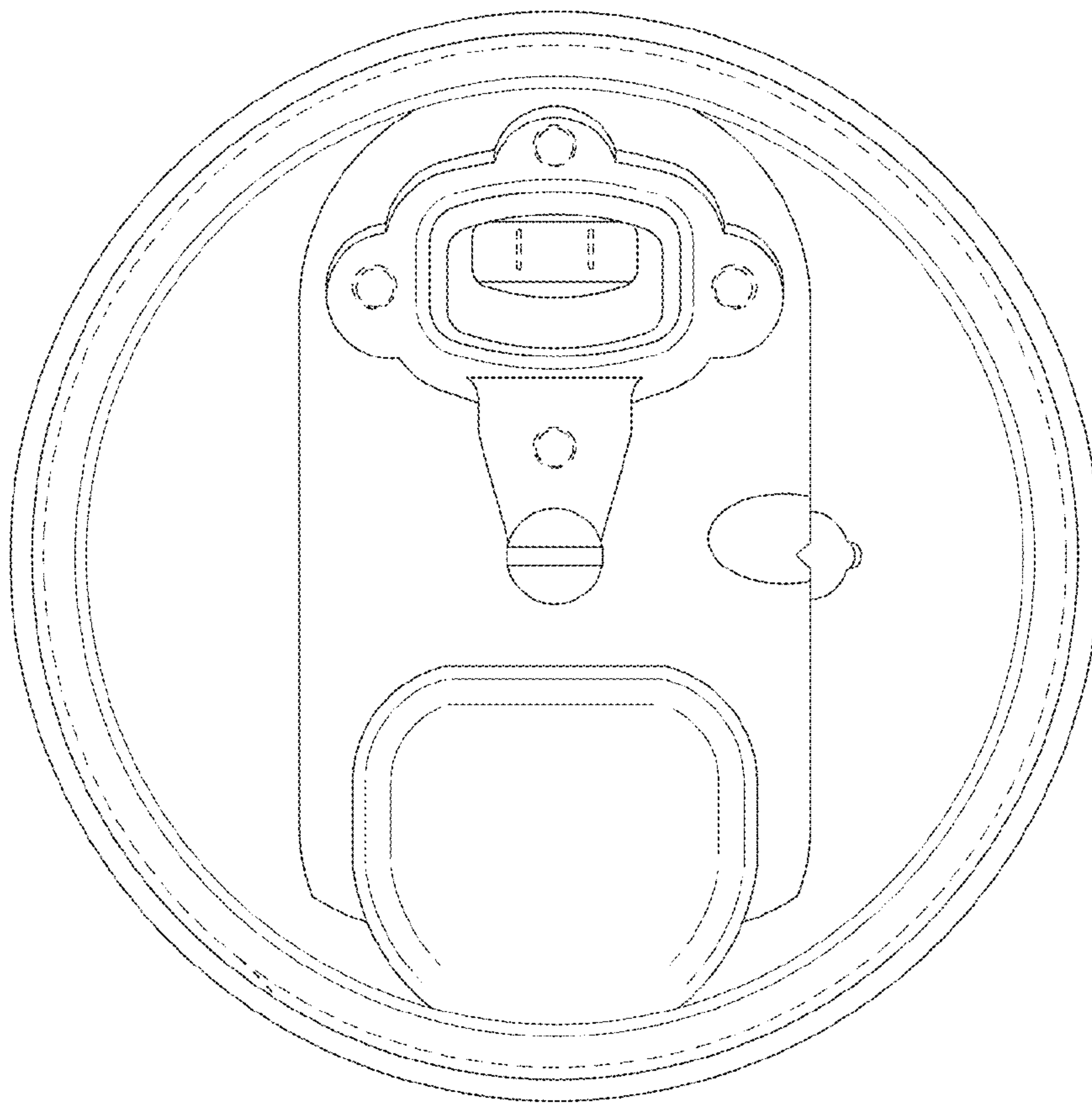


Fig. 7

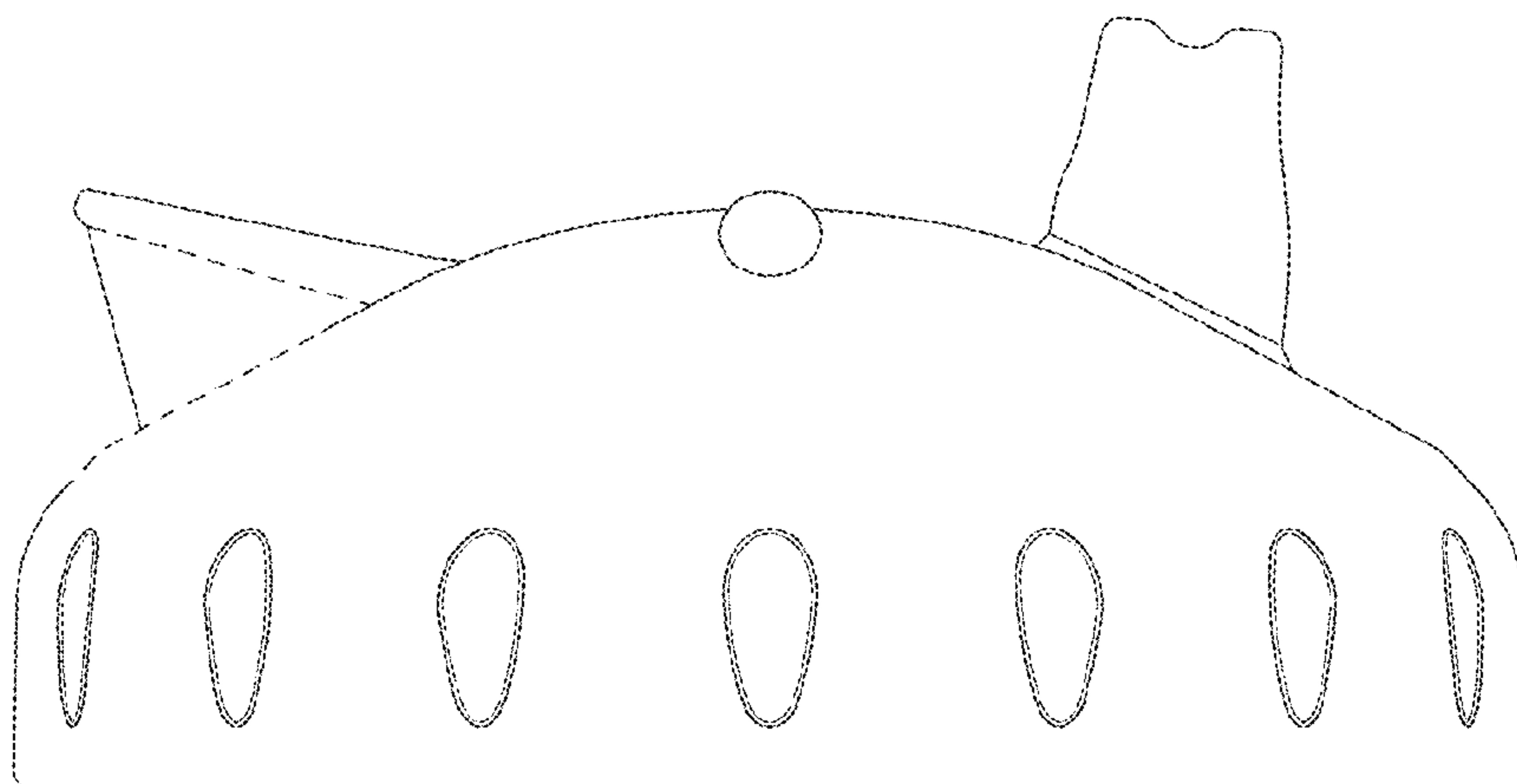


Fig. 8

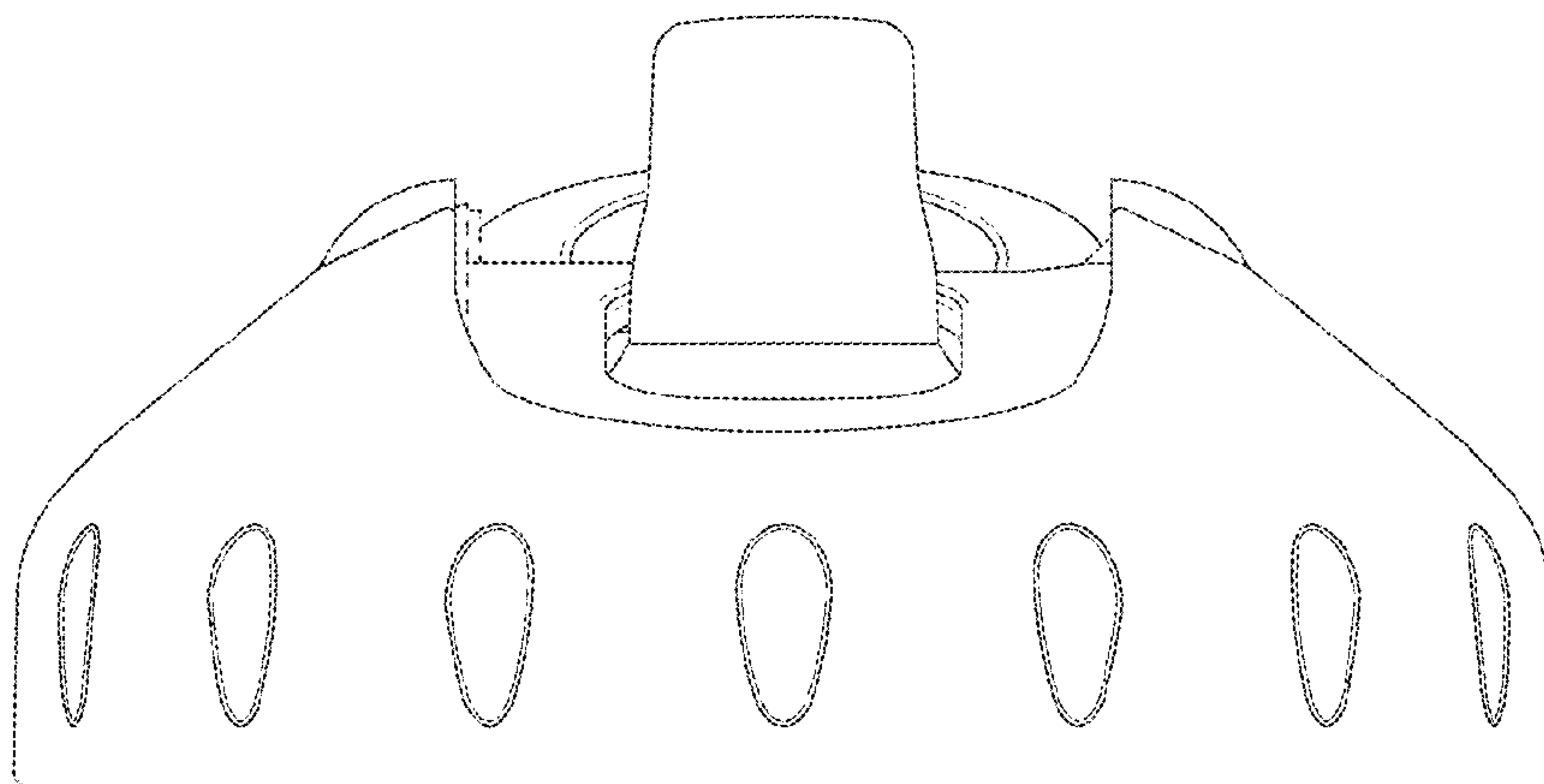


Fig. 9

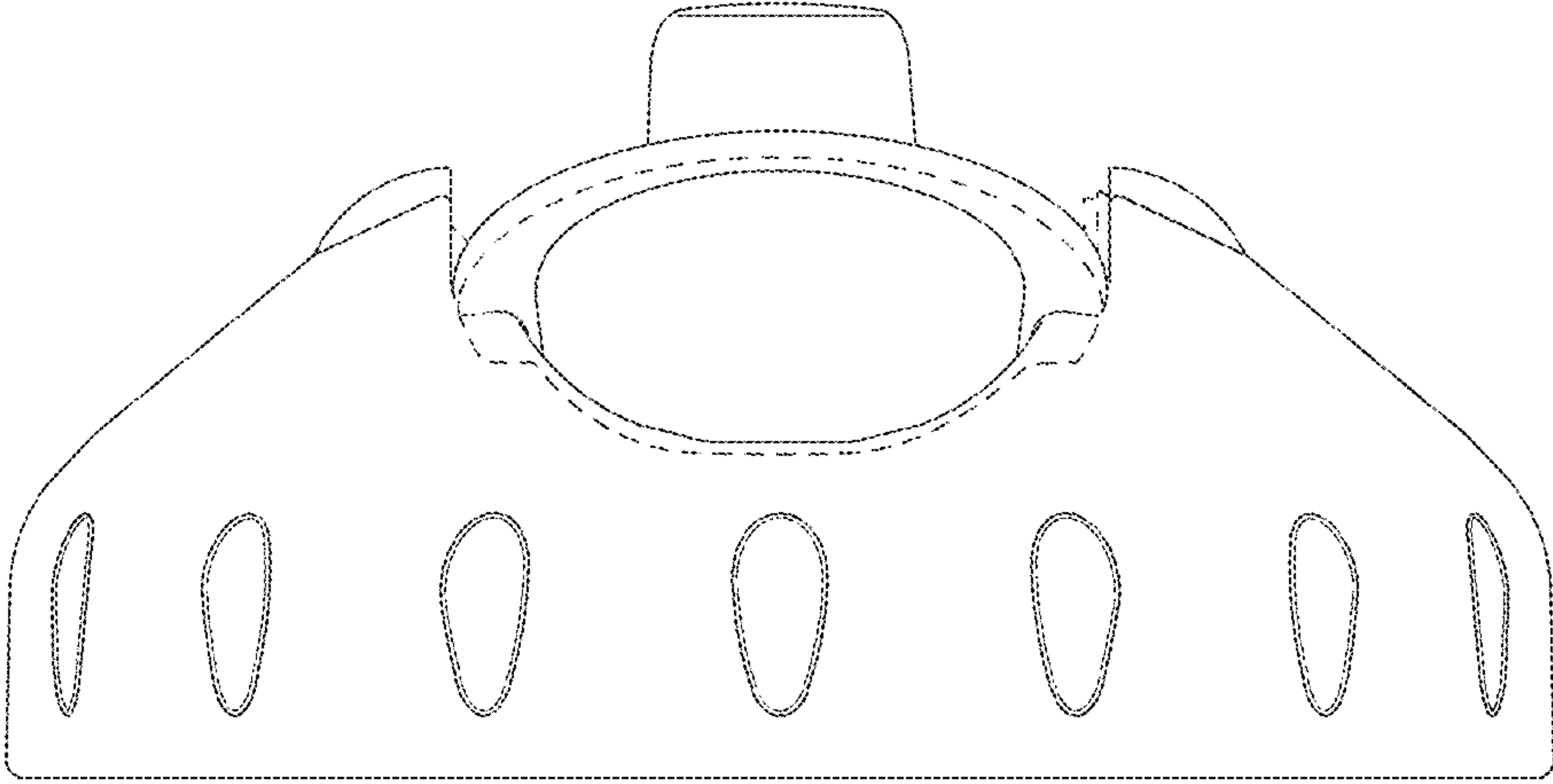


Fig. 10

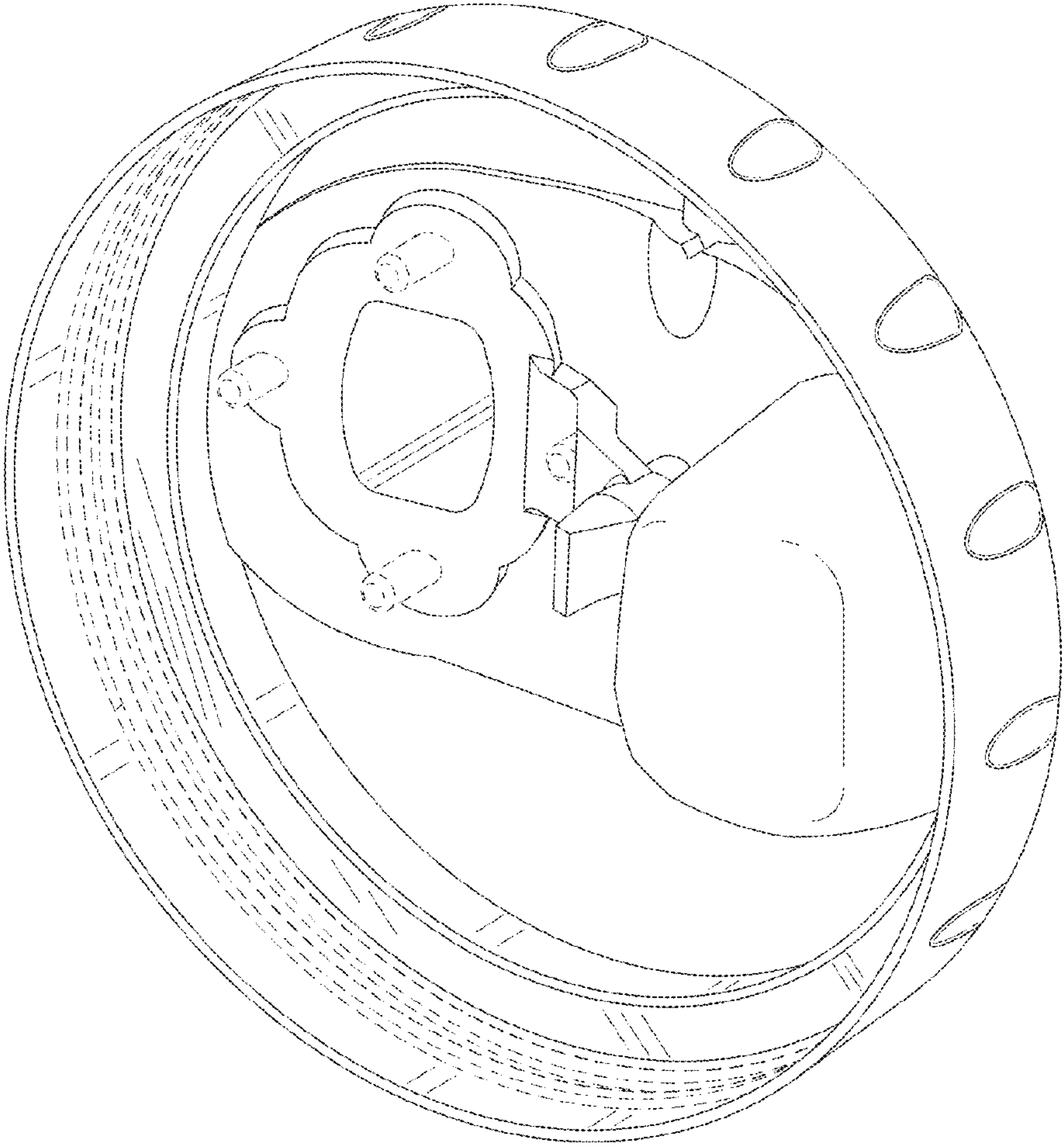


Fig. 11

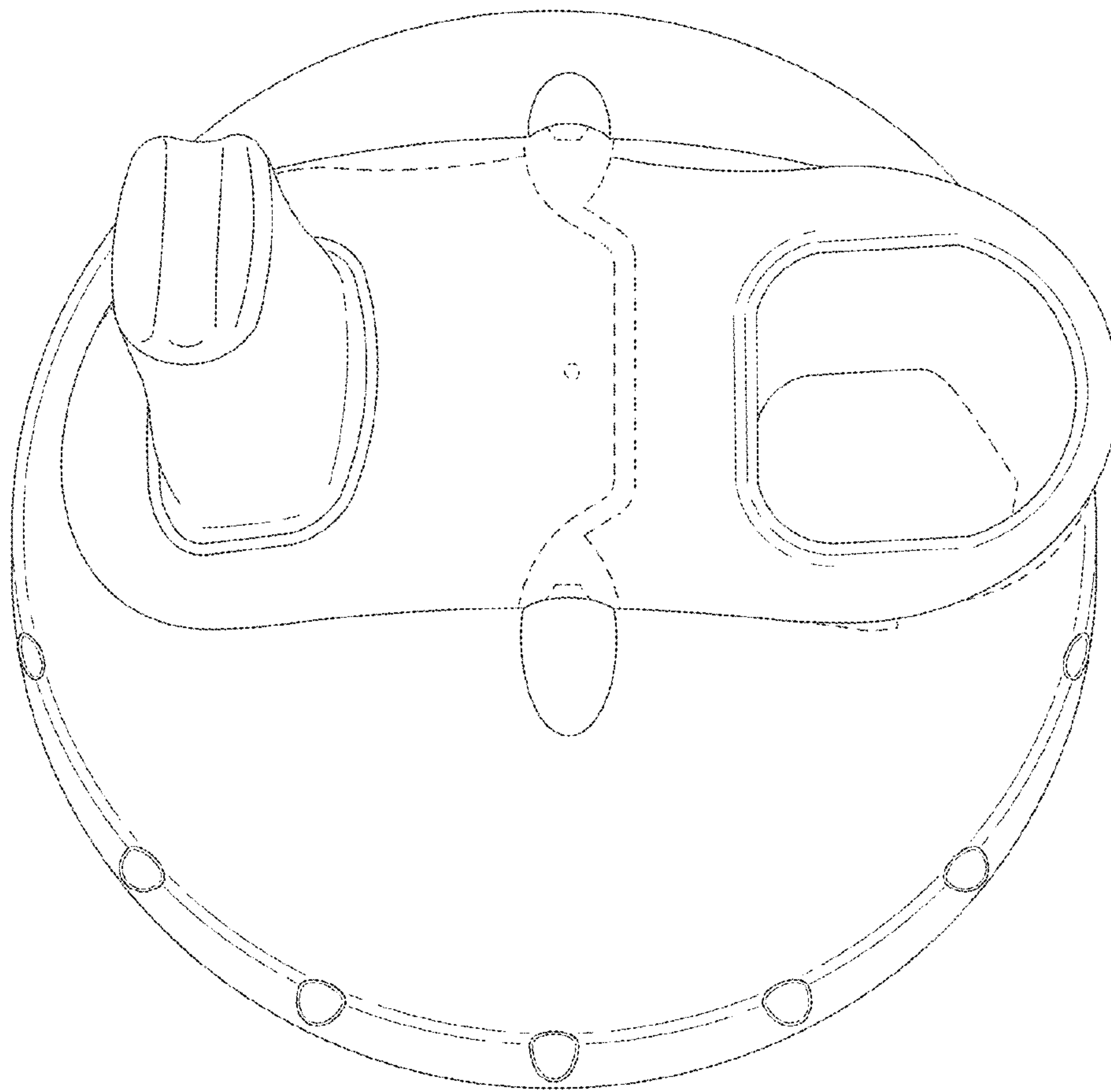


Fig. 12