



US00D709316S

(12) **United States Design Patent**  
**Yang**

(10) **Patent No.:** **US D709,316 S**  
(45) **Date of Patent:** **\*\* Jul. 22, 2014**

(54) **SUPPORT STRUCTURE FOR A GRILL**

(71) Applicant: **Hui-Feng Yang**, Taichung (TW)

(72) Inventor: **Hui-Feng Yang**, Taichung (TW)

(\*\*) Term: **14 Years**

(21) Appl. No.: **29/451,522**

(22) Filed: **Apr. 3, 2013**

(51) **LOC (10) Cl.** ..... **07-02**

(52) **U.S. Cl.**  
USPC ..... **D7/337**

(58) **Field of Classification Search**  
USPC ..... D7/332, 334-337, 402-405, 407-409;  
126/25 R, 25 A, 25 AA, 25 B, 9 R, 9 B,  
126/41 R, 37 R, 40, 50; D6/574  
See application file for complete search history.

(56) **References Cited**

**U.S. PATENT DOCUMENTS**

D503,586 S *	4/2005	Johnson	.....	D7/402
D510,680 S *	10/2005	Johnson	.....	D7/403
6,976,485 B2 *	12/2005	Johnson et al.	.....	126/41 R
7,438,071 B2 *	10/2008	Johnson et al.	.....	126/25 R
D688,096 S *	8/2013	Pai	.....	D7/403
2008/0230045 A1 *	9/2008	Bruno	.....	126/25 R
2013/0074822 A1 *	3/2013	Chien et al.	.....	126/25 R

\* cited by examiner

*Primary Examiner* — Ruth McInroy

(74) *Attorney, Agent, or Firm* — Egbert Law Offices, PLLC

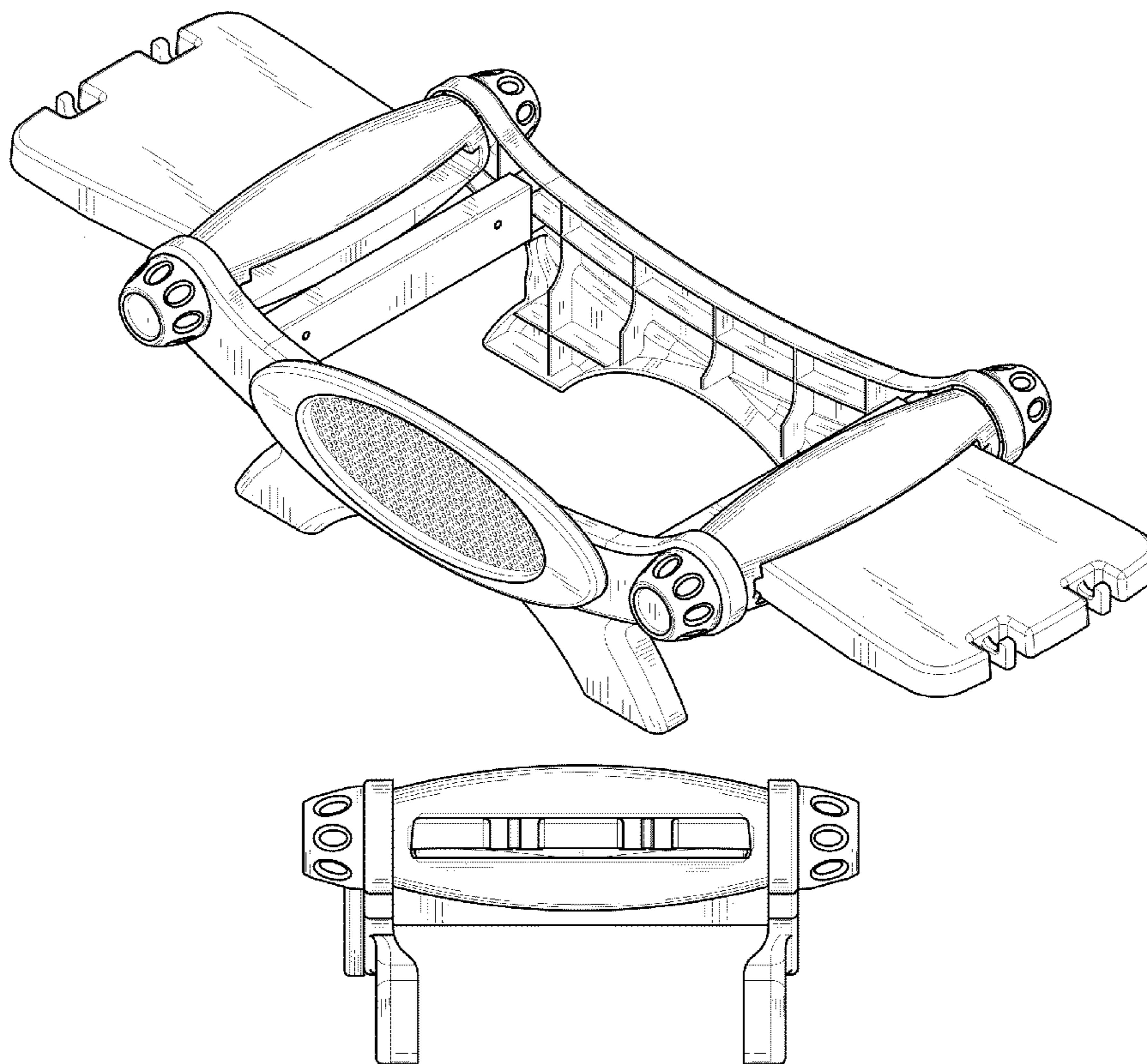
(57) **CLAIM**

The ornamental design for a support structure for a grill, as shown and described.

**DESCRIPTION**

FIG. 1 is an upper perspective view of a support structure for a grill showing my new design;  
 FIG. 2 is a front elevation view thereof;  
 FIG. 3 is a back elevation view thereof;  
 FIG. 4 is a side elevation view thereof;  
 FIG. 5 is an opposite side elevation view thereof;  
 FIG. 6 is a top plan view thereof;  
 FIG. 7 is a bottom plan view thereof;  
 FIG. 8 is an upper perspective view of the support structure for a grill showing a grill positioned thereon;  
 FIG. 9 is a front elevation view of the support structure for a grill showing a grill positioned thereon; and,  
 FIG. 10 is a front elevation view, of the support structure for a grill, showing a grill positioned thereon, wherein the side trays are folded upwards.  
 The grill shown in broken lines in FIGS. 8-10 is for environmental purposes only and forms no part of the claimed design.

**1 Claim, 10 Drawing Sheets**



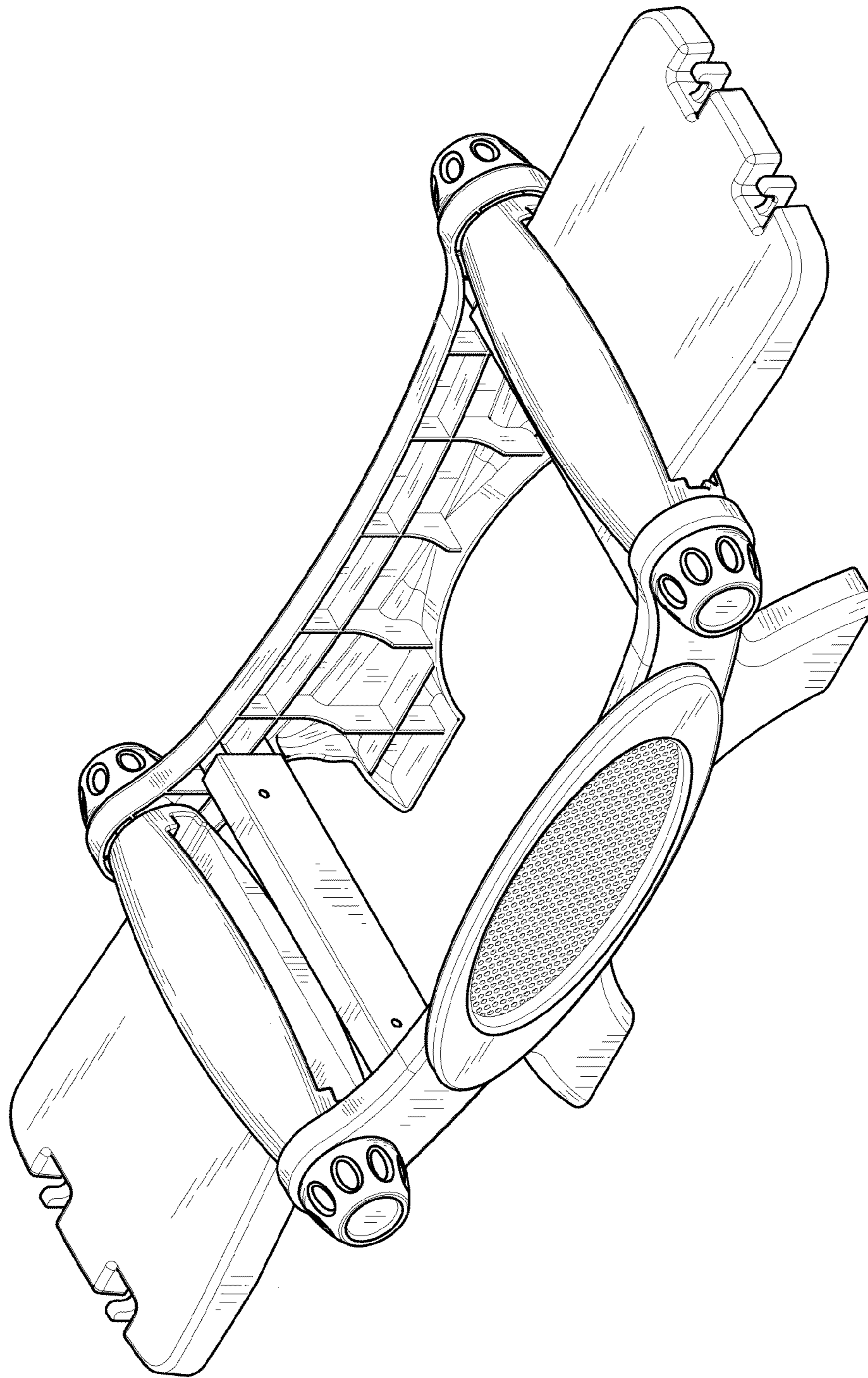


FIG.1

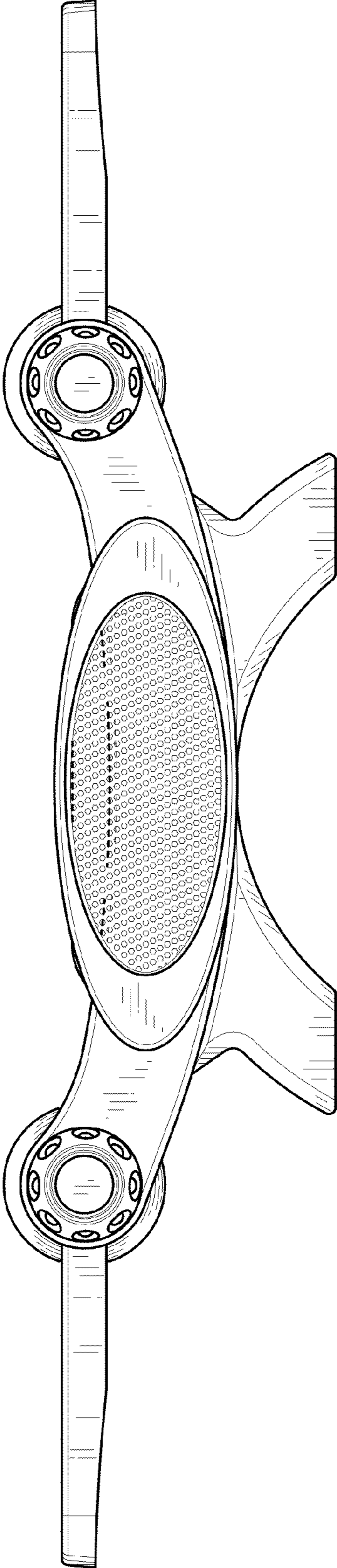


FIG.2

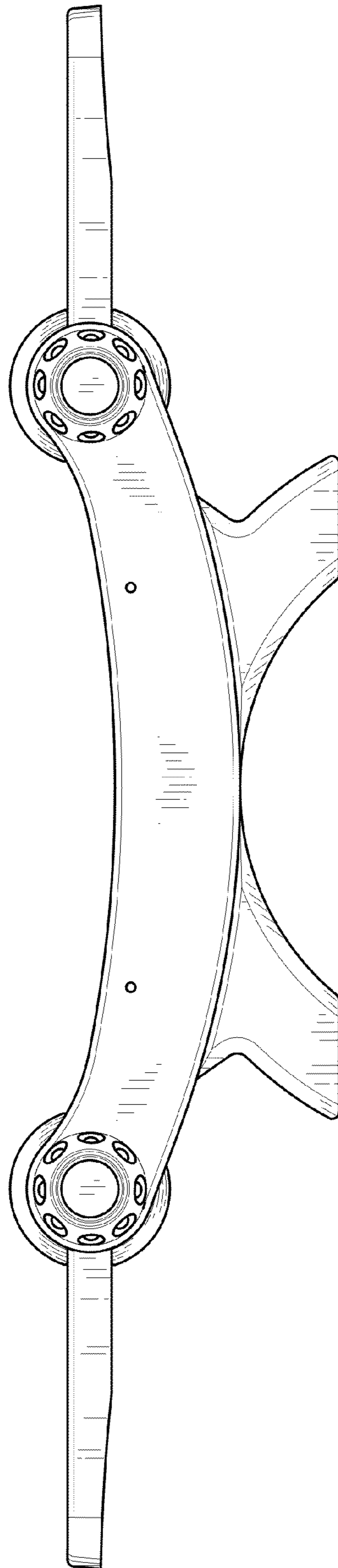


FIG.3

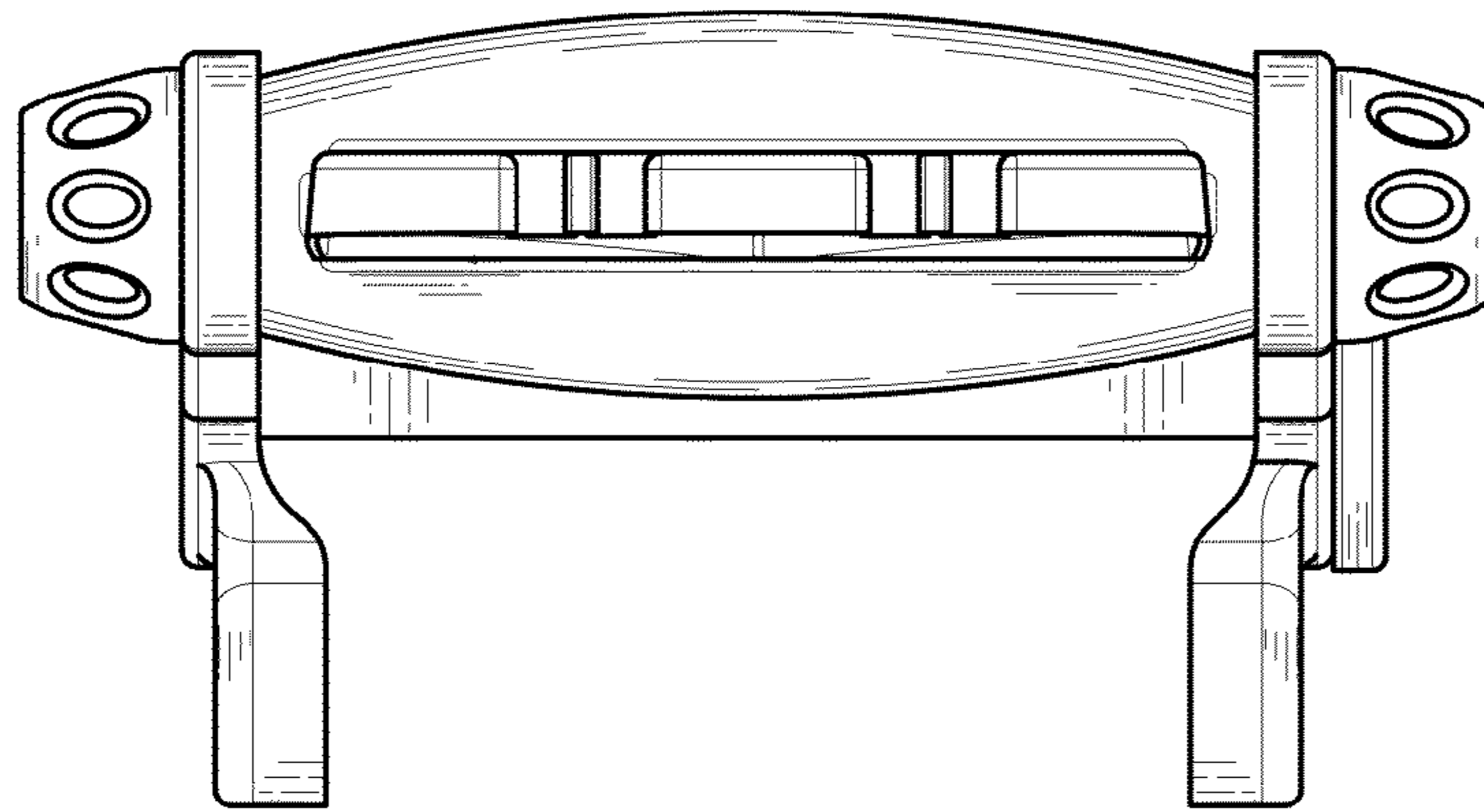


FIG.4

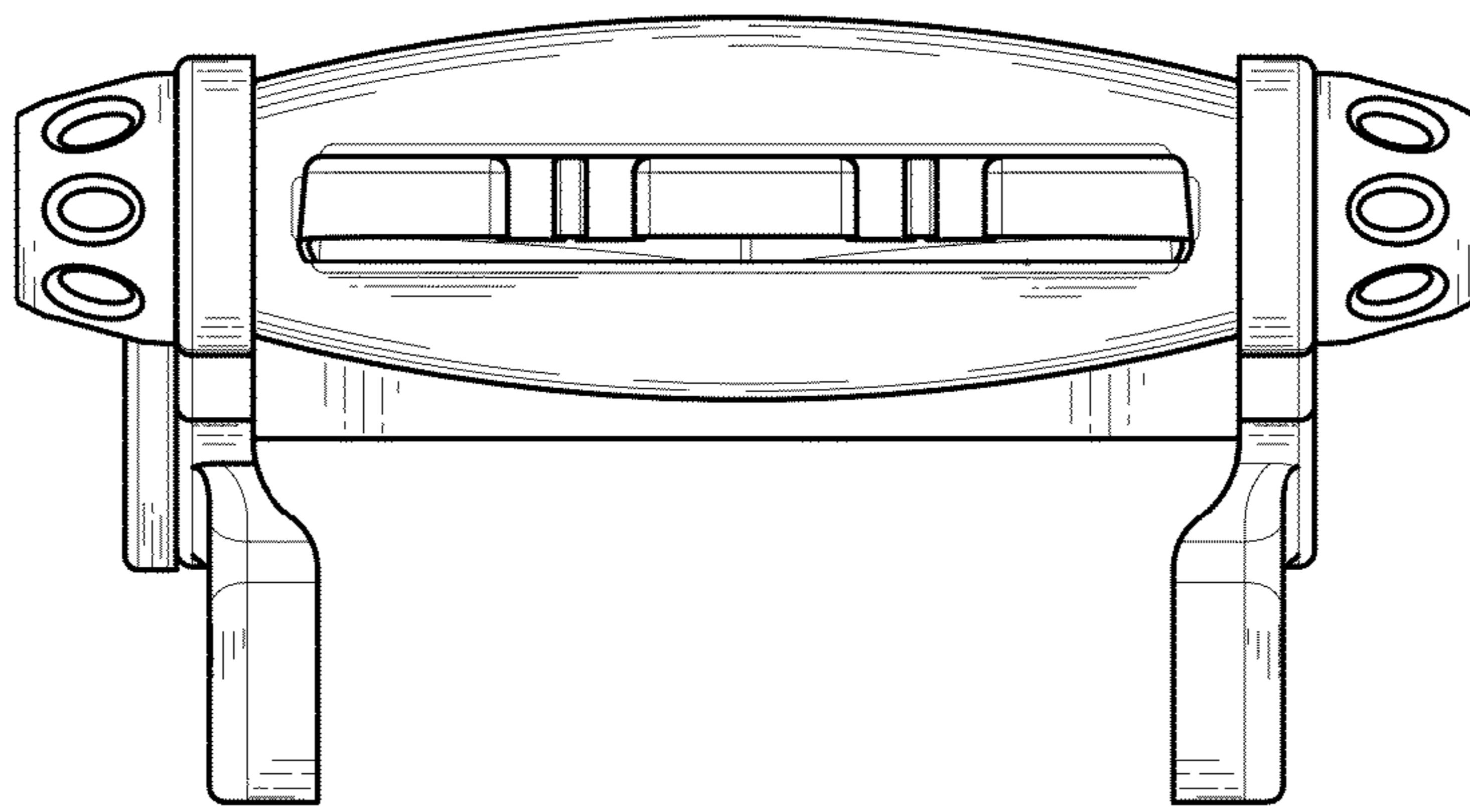


FIG.5

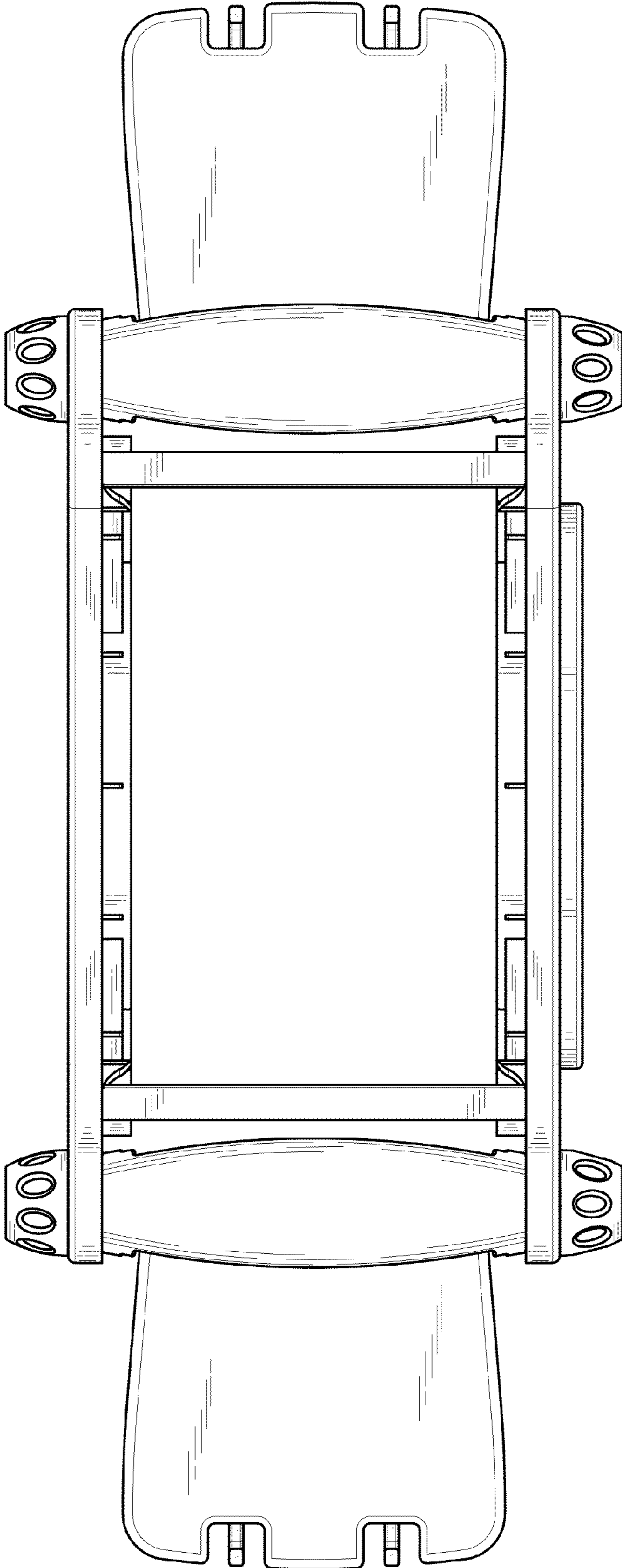


FIG.6

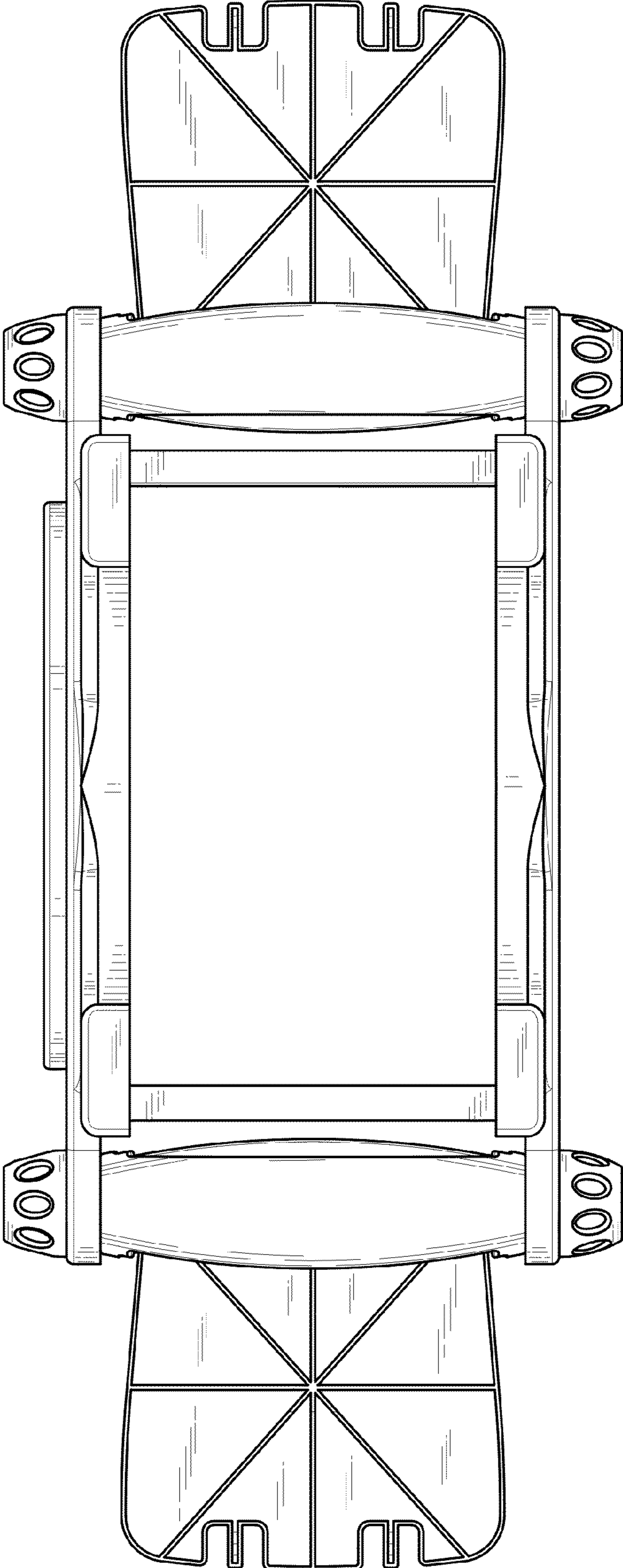


FIG.7



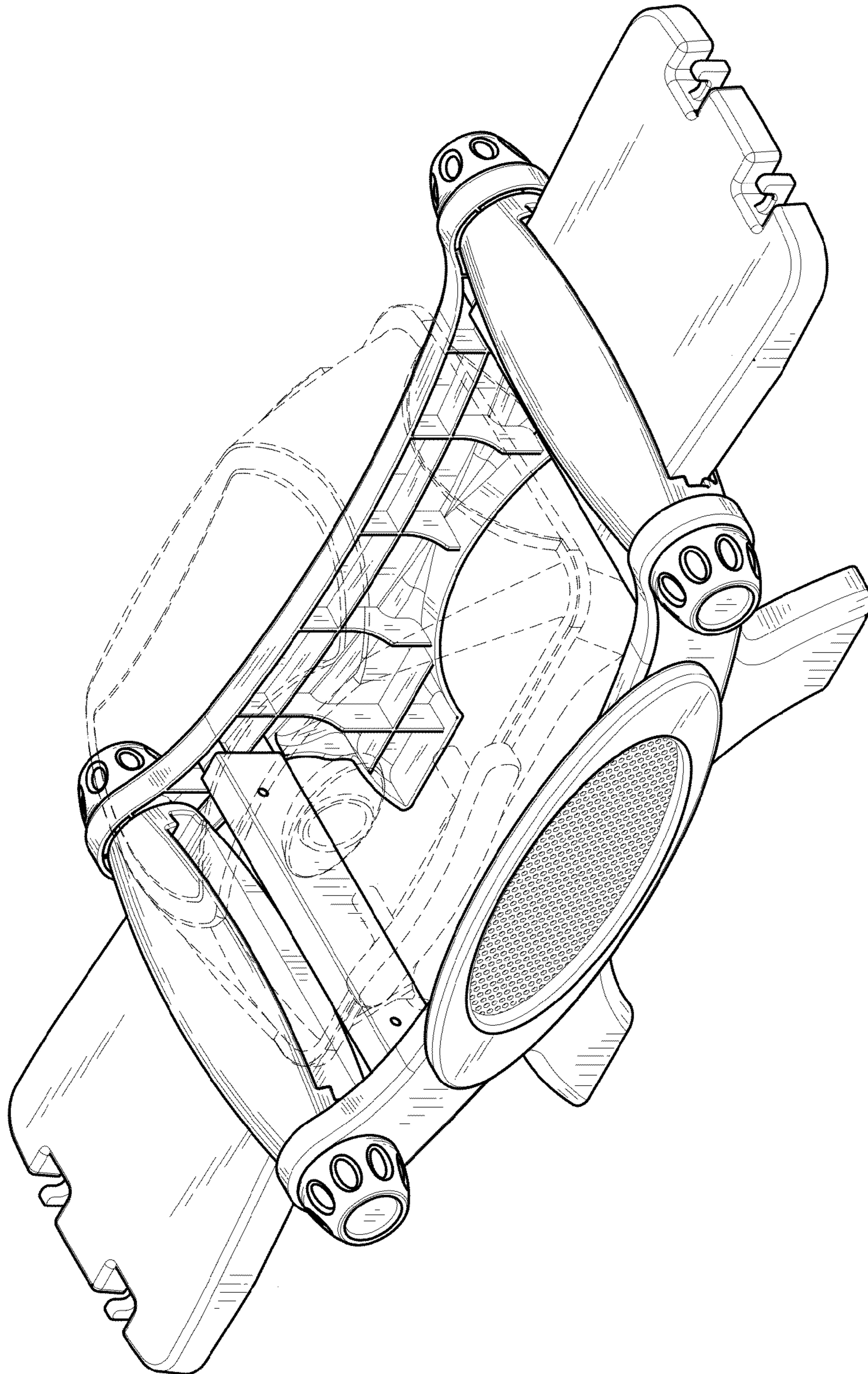


FIG. 8

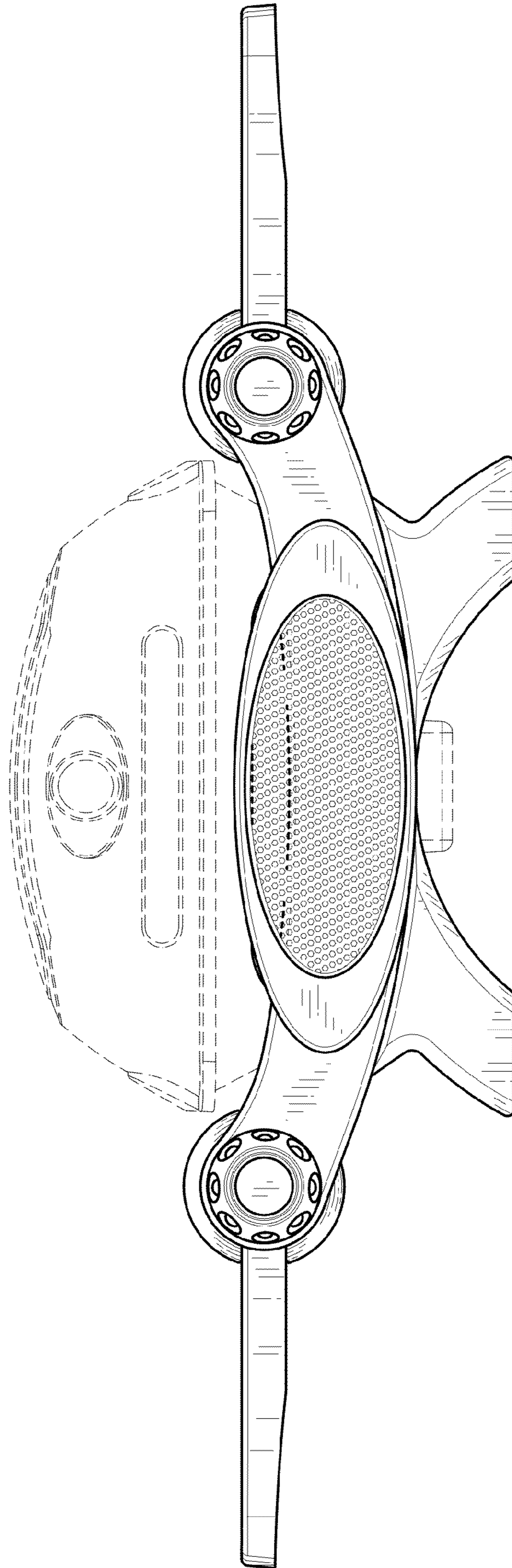


FIG.9

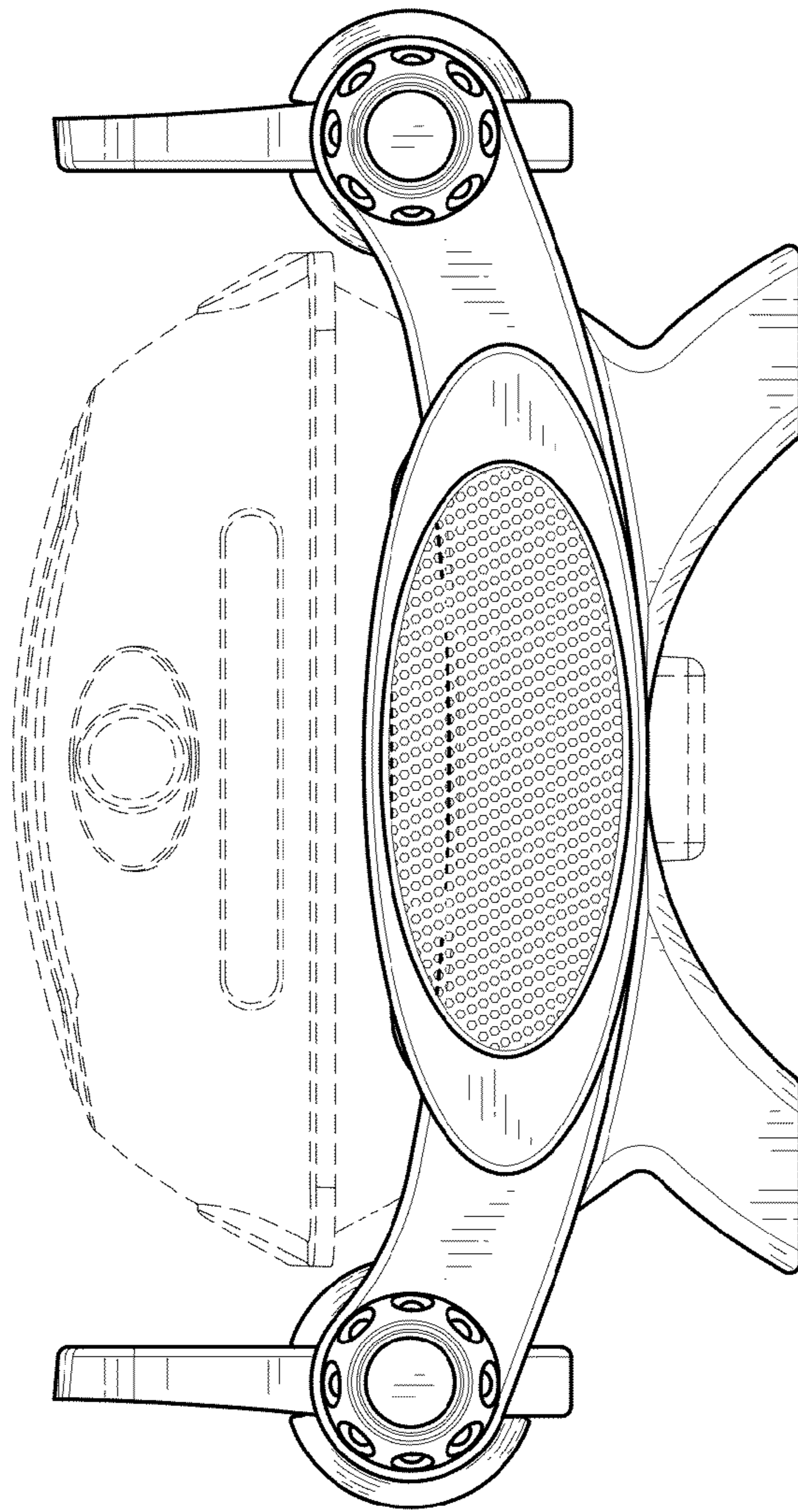


FIG.10