



US00D709315S

(12) **United States Design Patent**
Witzel et al.

(10) **Patent No.:** **US D709,315 S**
(45) **Date of Patent:** **** Jul. 22, 2014**

(54) **PORTABLE STOVE WITH REMOVABLE
ADJUSTABLE LEGS**

(71) Applicant: **Onward Multi-Corp Inc.**, Waterloo
(CA)

(72) Inventors: **Theodore Andrew Witzel**, Kitchener
(CA); **James Edward Scott**, Cambridge
(CA); **Benjamin Michael Harrison**,
Waterloo (CA)

(73) Assignee: **Onward Multi-Corp Inc.**, Waterloo,
Ontario (CA)

(**) Term: **14 Years**

(21) Appl. No.: **29/449,583**

(22) Filed: **Mar. 15, 2013**

(51) **LOC (10) Cl.** **07-02**

(52) **U.S. Cl.**
USPC **D7/332**

(58) **Field of Classification Search**
CPC F24B 1/20; F24B 1/205; F24B 1/202;
F24B 1/207; F24B 1/22; F24B 1/24; A47J
33/00; A47J 36/36; A47J 37/042; A47J 36/26;
A47J 37/067; A47J 37/0682; A47J 37/04;
A47J 2037/0777; F24C 3/085; F24C 3/14;
F24C 5/20; F24C 15/10; F24C 1/16
USPC 126/25 R; D7/332-337, 402-408
See application file for complete search history.

(56) **References Cited**

U.S. PATENT DOCUMENTS

D295,818	S *	5/1988	Chan	D7/332
5,906,196	A	5/1999	Measom		
D451,751	S *	12/2001	Stewart et al.	D7/334
D456,202	S *	4/2002	McNair et al.	D7/332
D460,312	S *	7/2002	Fry et al.	D7/334
D460,658	S *	7/2002	Wu	D7/334

D465,691	S *	11/2002	Wu	D7/332
D489,221	S *	5/2004	Pai	D7/334
6,792,935	B2 *	9/2004	Williams et al.	126/41 R
D512,871	S *	12/2005	Chung	D7/332
D517,365	S *	3/2006	Huang	D7/332
D521,307	S *	5/2006	Parrant et al.	D7/334
D562,619	S *	2/2008	Henley et al.	D7/334
D572,519	S *	7/2008	Thomas	D7/334
D583,613	S *	12/2008	Proffitt et al.	D7/332
D636,628	S *	4/2011	Chung	D7/334
D653,494	S *	2/2012	Chung	D7/334
D679,937	S *	4/2013	Chung	D7/334
D680,364	S *	4/2013	Chung	D7/334
D680,793	S *	4/2013	Chung	D7/332
D680,794	S *	4/2013	Chung	D7/332

(Continued)

OTHER PUBLICATIONS

Windproof Stove—Zippo Outdoor [online]. Published as early as Jul. 31, 2012 Retrieved from the Internet: <URL <http://zippooutdoor.com/windproof-camp-stove/>.

Primary Examiner — Ruth McInroy

(74) *Attorney, Agent, or Firm* — Bereskin & Parr LLP/S.E.N.C.R.L., s.r.l.

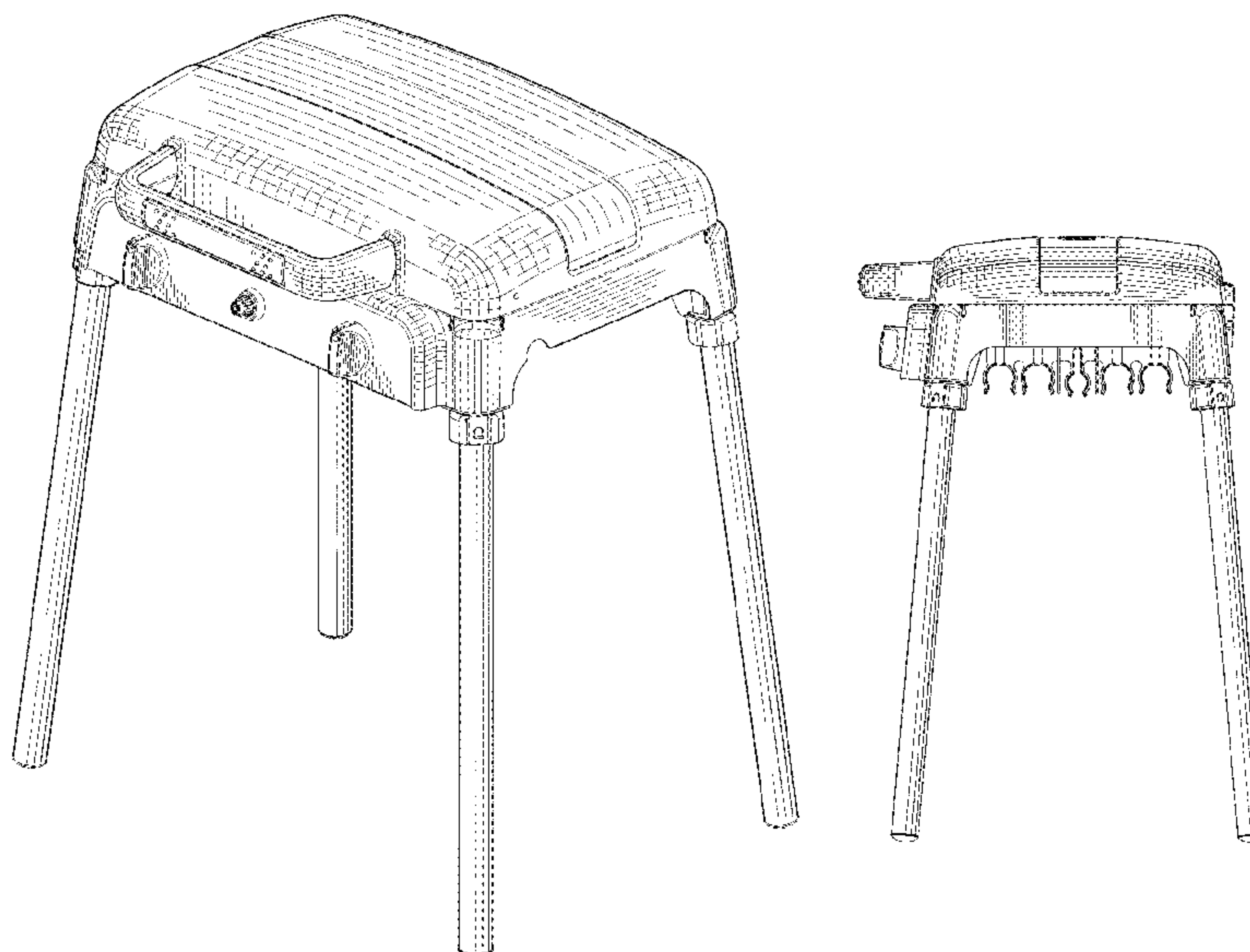
(57) **CLAIM**

The ornamental design for a portable stove with removable adjustable legs, as shown and described.

DESCRIPTION

FIG. 1 is a top perspective view of a portable stove with removable adjustable legs showing our new design; FIG. 2 is a bottom perspective view thereof; FIG. 3 is a top plan view thereof; FIG. 4 is a bottom plan view thereof; FIG. 5 is a front elevational view thereof; FIG. 6 is a back elevational view thereof; FIG. 7 is a left side view; and, FIG. 8 is a right side view thereof.

1 Claim, 5 Drawing Sheets



US D709,315 S

Page 2

(56)

References Cited

U.S. PATENT DOCUMENTS

			2002/0020405	A1*	2/2002	Coleman et al.	126/41	R
			2005/0087182	A1*	4/2005	Schulte	126/9	R
			2010/0242942	A1*	9/2010	Chang	126/19	R
D681,389	S	*	5/2013	Goecke et al.	D7/334			
D689,322	S	*	9/2013	Chung	D7/332			

* cited by examiner

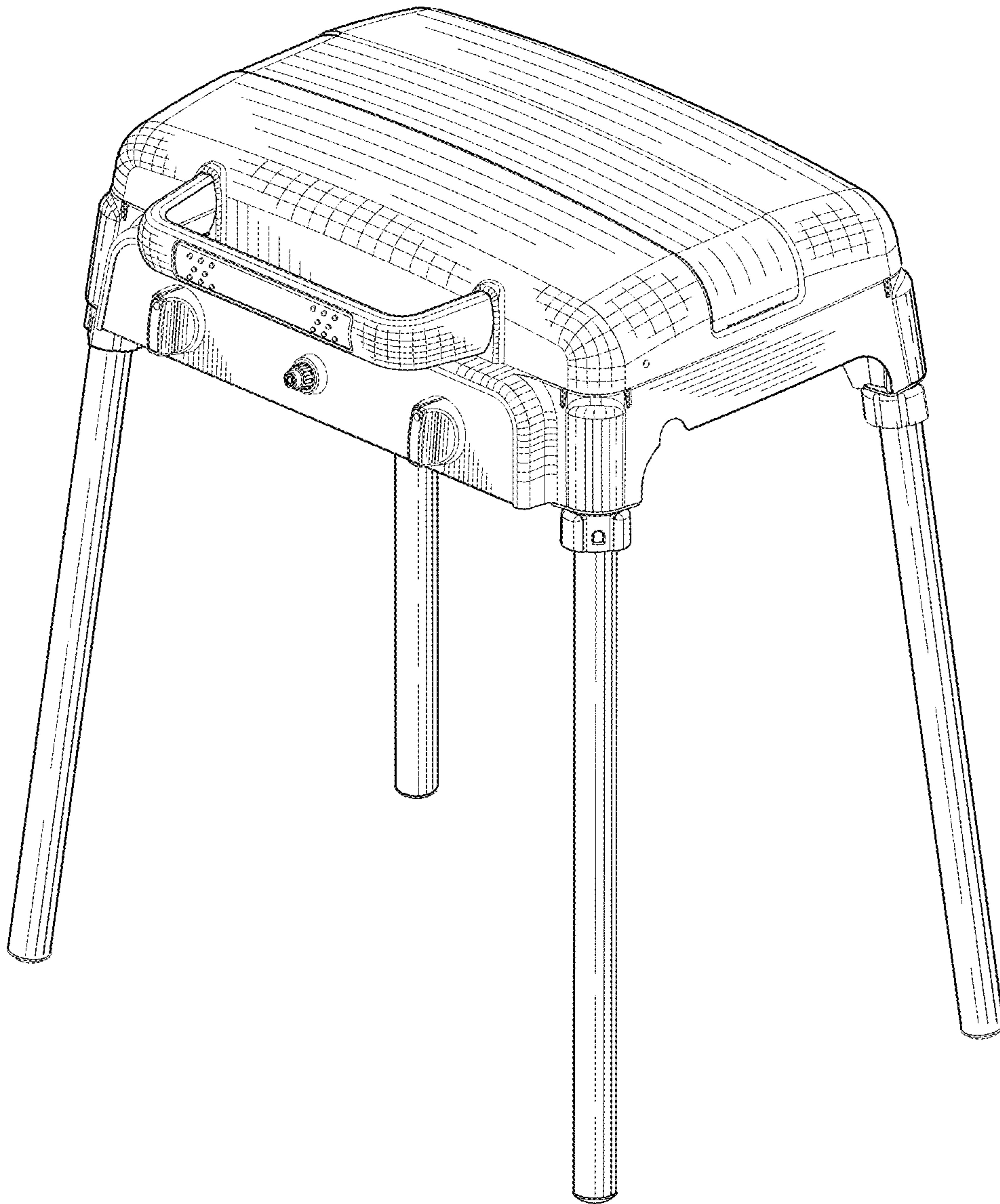


FIG.1

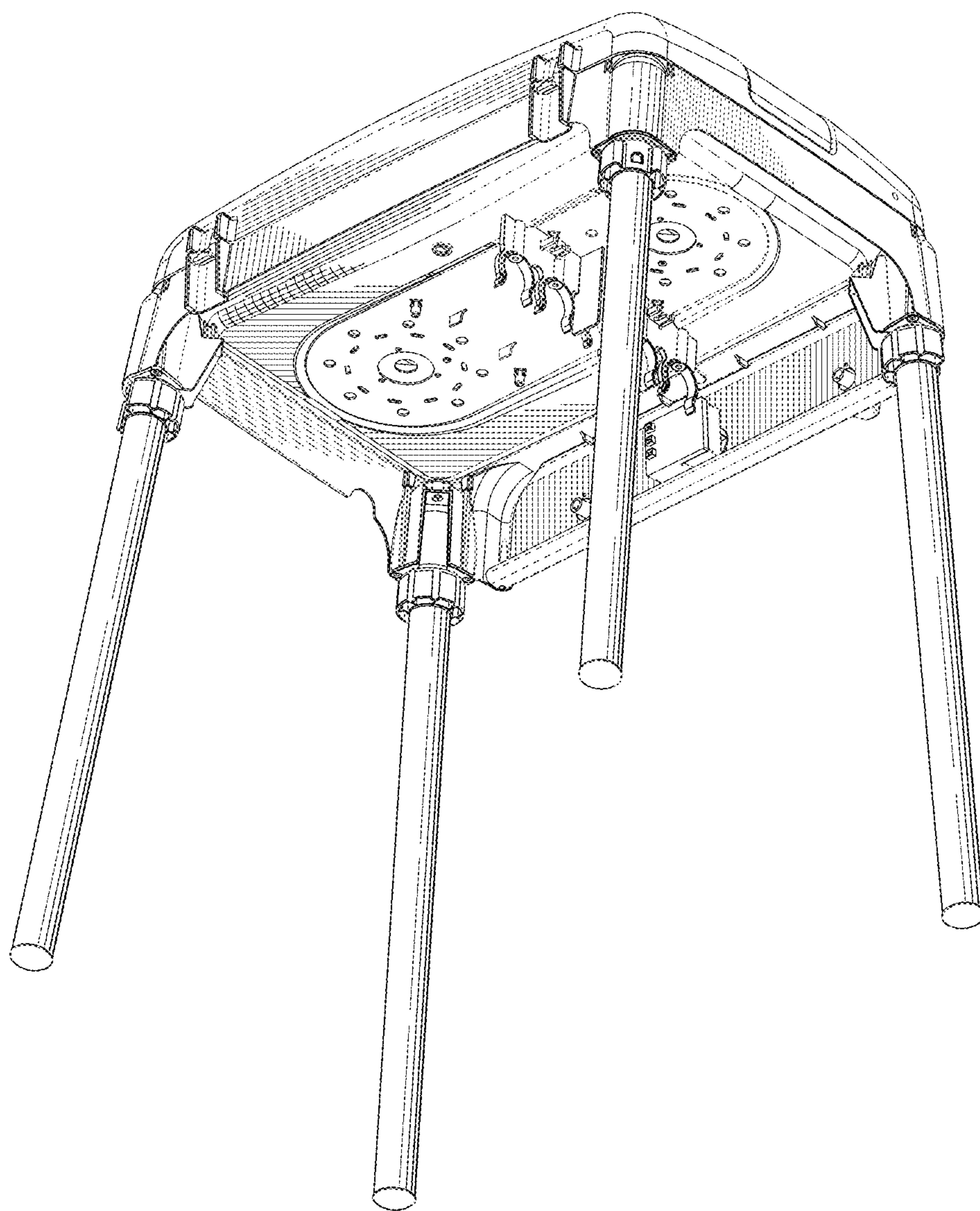


FIG.2

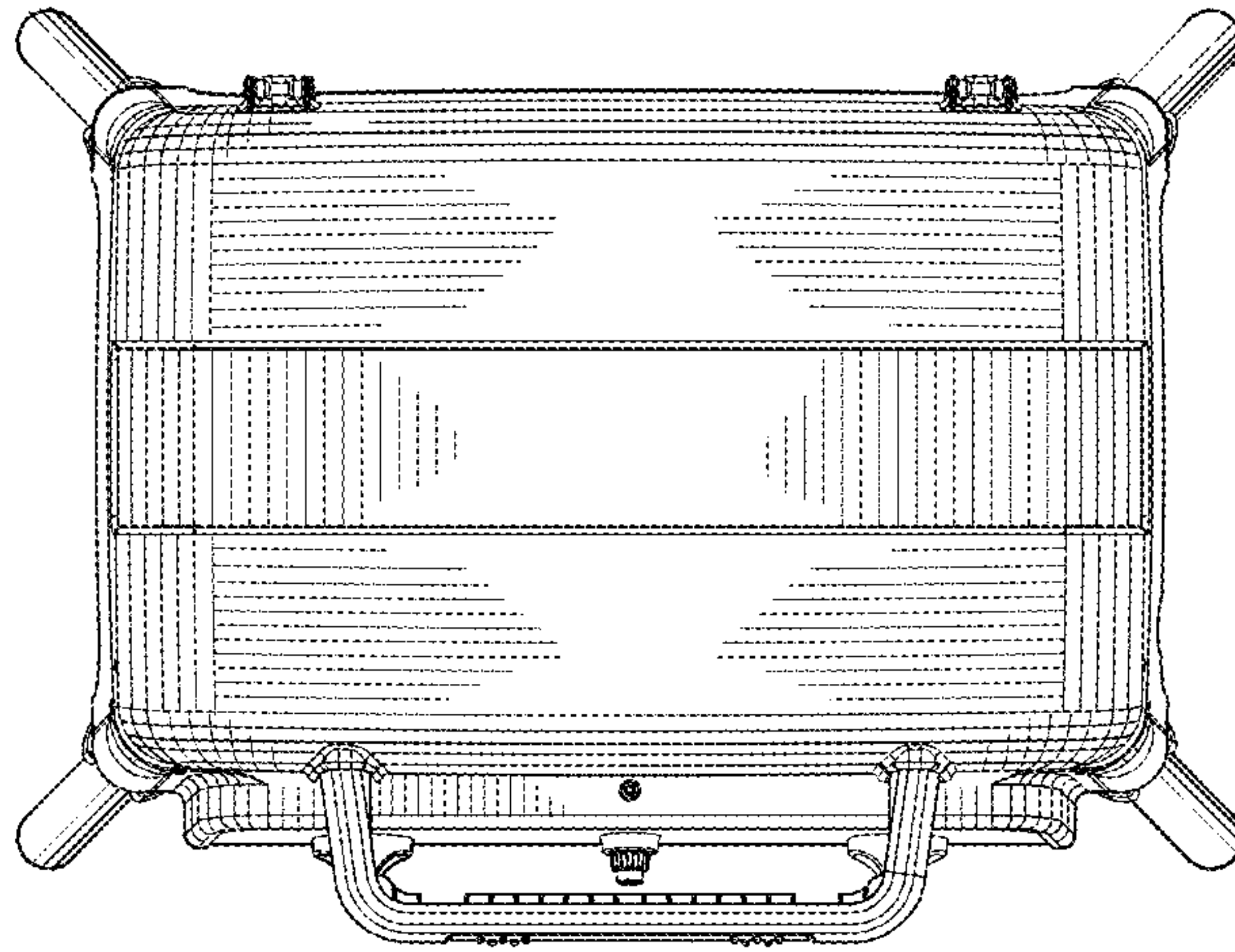


FIG.3

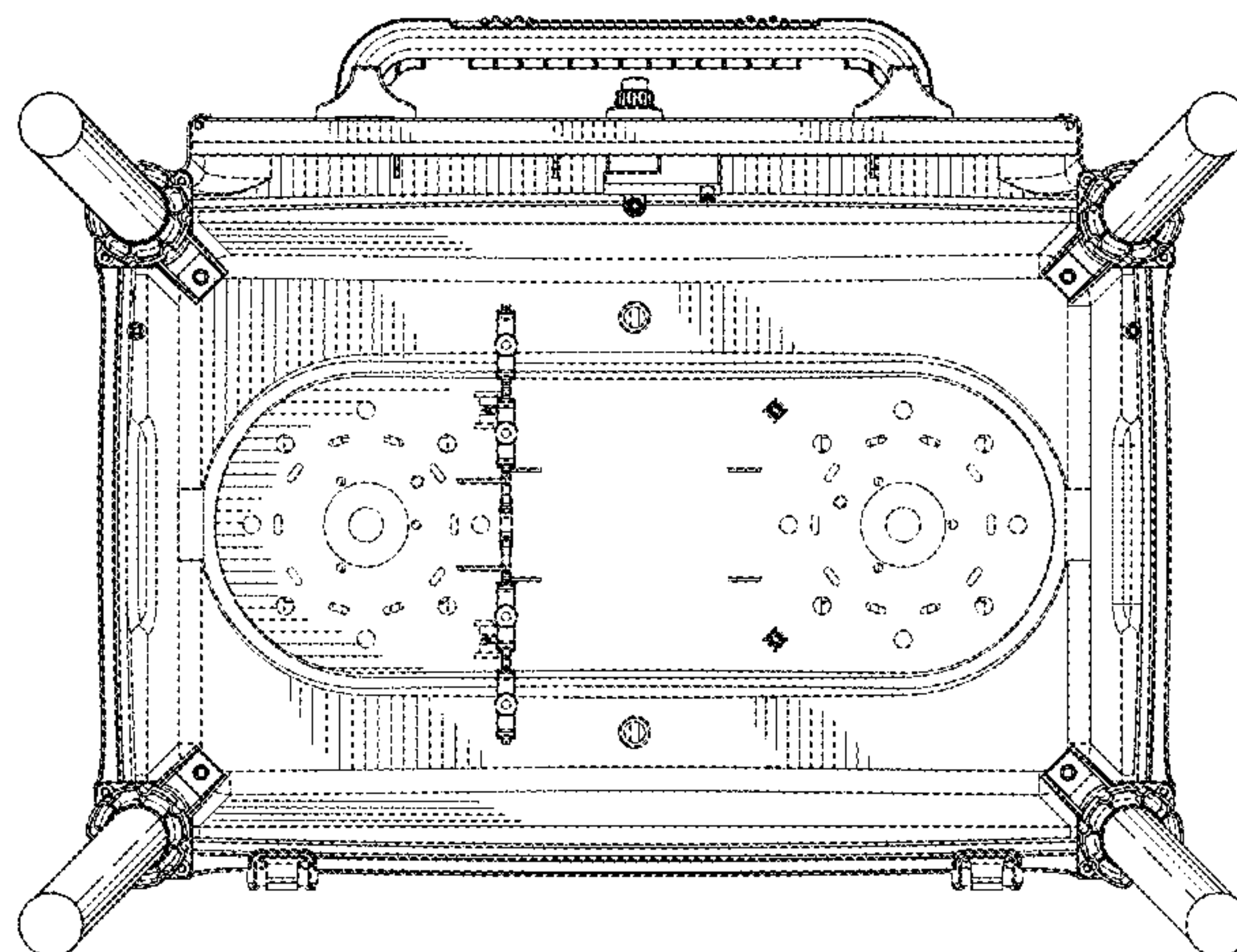


FIG.4

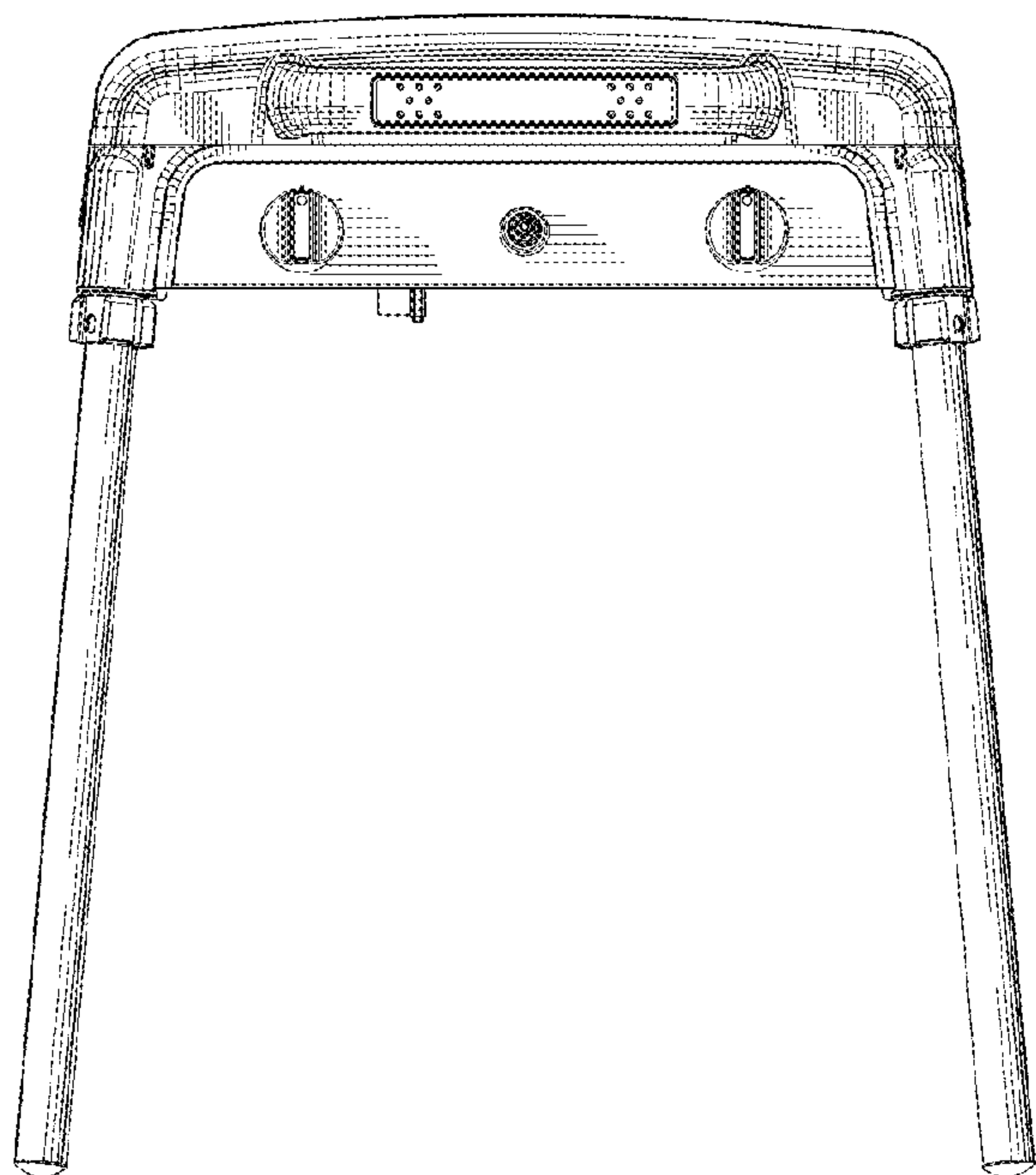


FIG.5

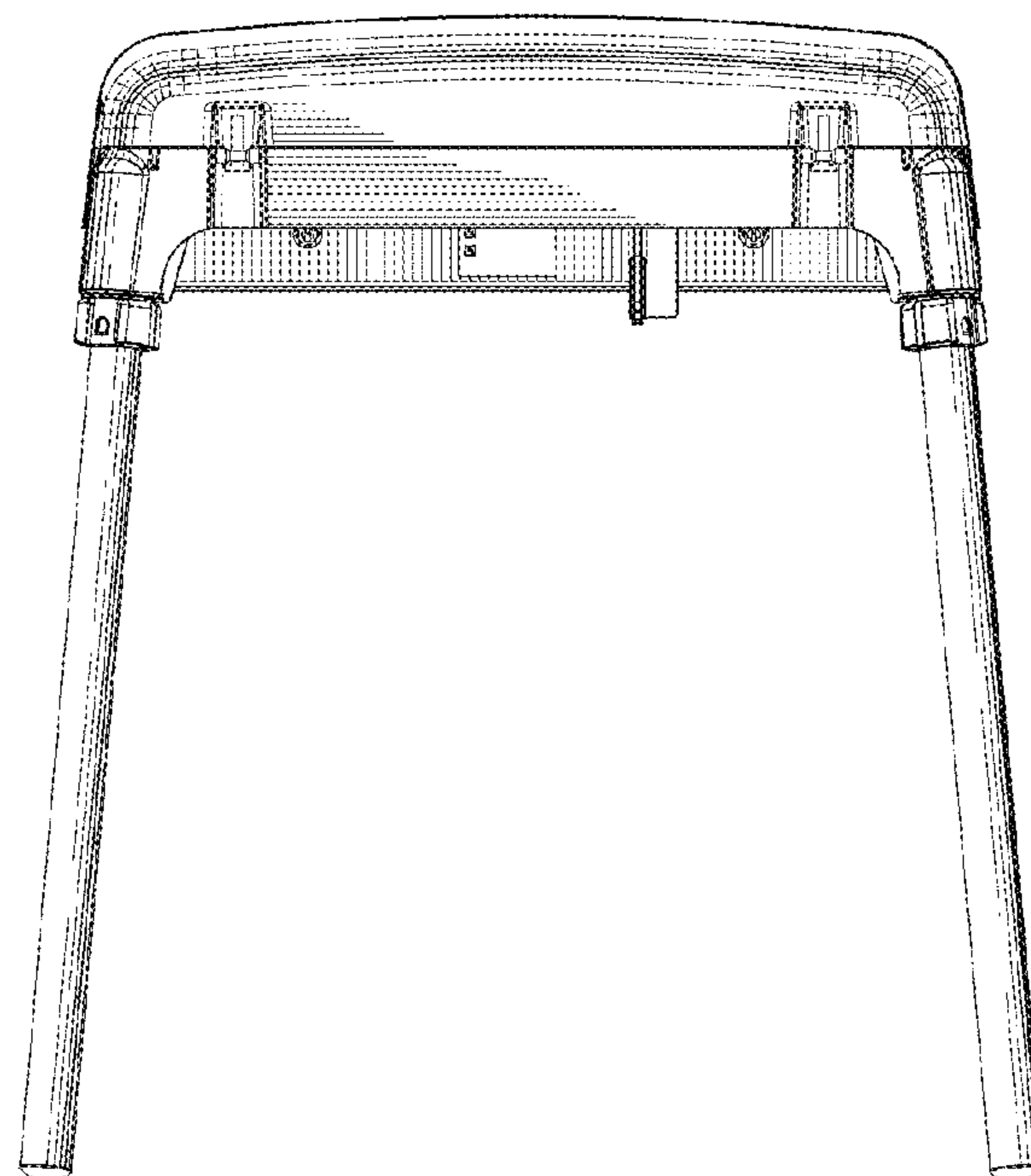


FIG.6

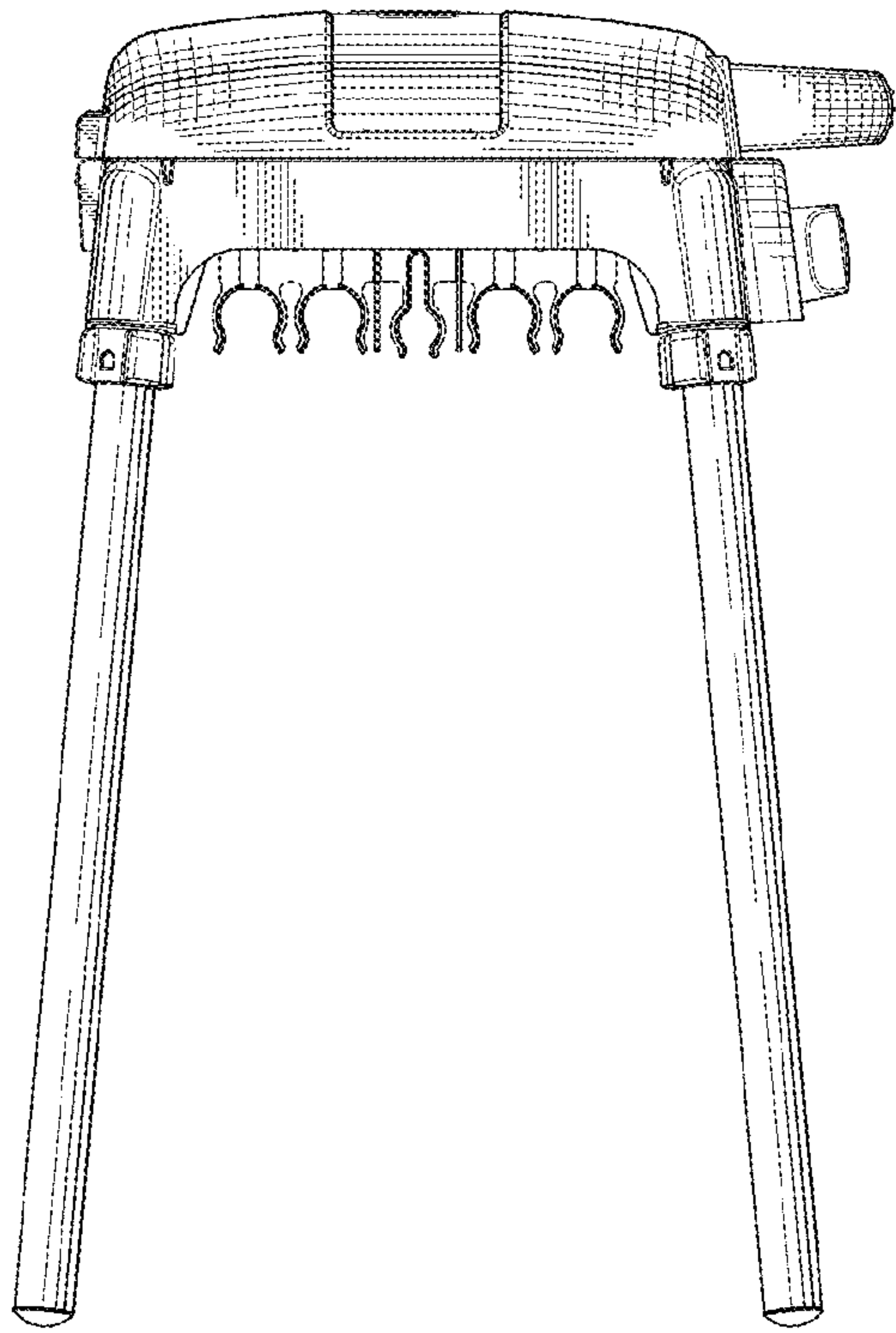


FIG. 7

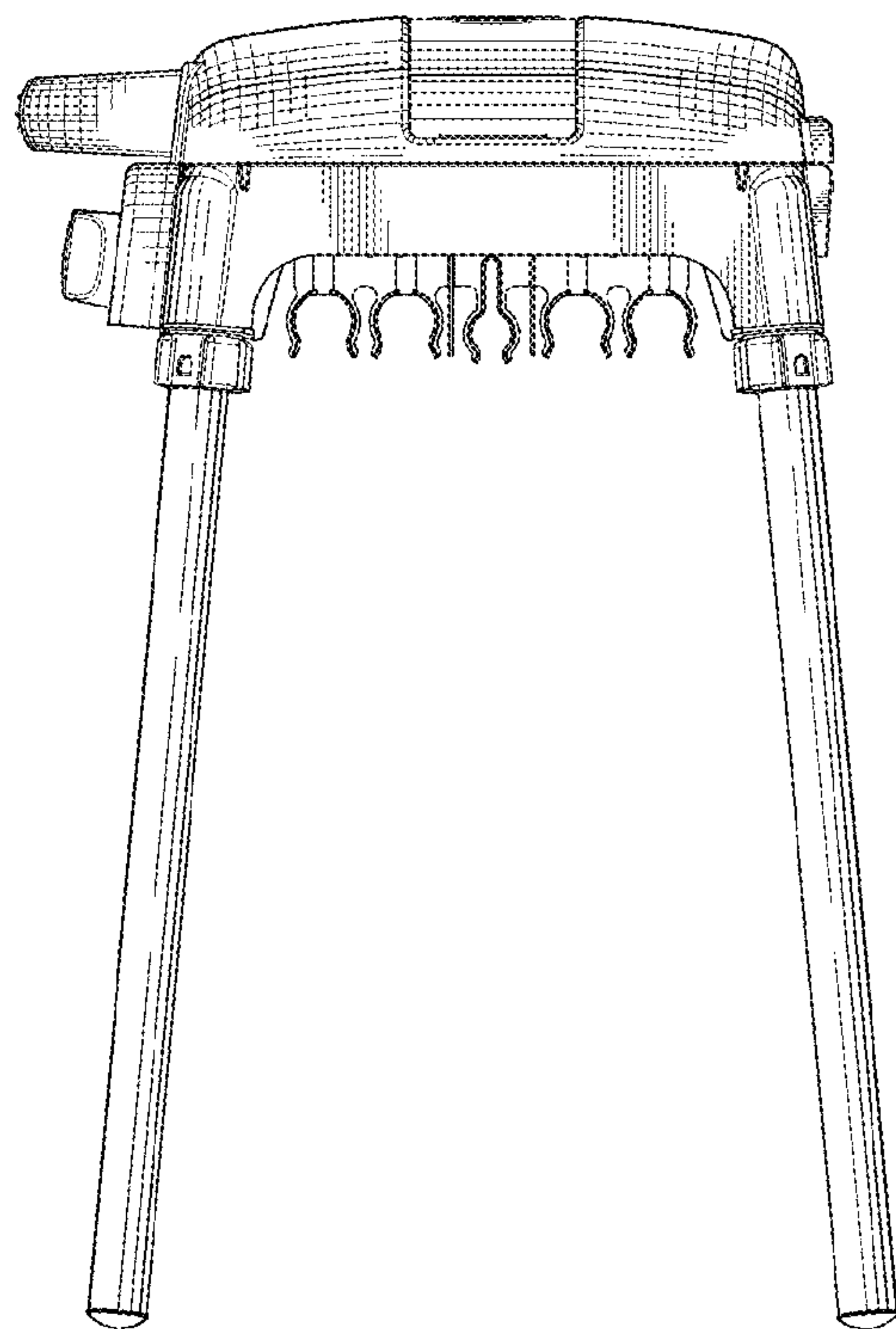


FIG. 8