



US00D709314S

(12) **United States Design Patent**  
**Gioe**

(10) **Patent No.:** **US D709,314 S**

(45) **Date of Patent:** **\*\* \*Jul. 22, 2014**

- (54) **BED**
- (71) Applicant: **Anthony Gioe**, Pelham, NY (US)
- (72) Inventor: **Anthony Gioe**, Pelham, NY (US)
- (\* ) Notice: This patent is subject to a terminal disclaimer.
- (\*\*) Term: **14 Years**
- (21) Appl. No.: **29/442,167**
- (22) Filed: **Dec. 24, 2012**
- (51) **LOC (10) Cl.** ..... **06-06**
- (52) **U.S. Cl.**  
USPC ..... **D6/718.13**
- (58) **Field of Classification Search**  
USPC ..... D6/382, 389, 392-395, 718, 718.13,  
D6/718.21, 718.22, 718.28; 5/53.1, 907,  
5/279.1, 280, 281  
See application file for complete search history.

D666,437 S *	9/2012	Gioe	.....	D6/505
D666,851 S *	9/2012	Gioe	.....	D6/508
D666,852 S *	9/2012	Gioe	.....	D6/508

\* cited by examiner

*Primary Examiner* — Janice Seeger

(74) *Attorney, Agent, or Firm* — Greenberg Traurig LLP

(57) **CLAIM**

The ornamental design for a bed, as shown and described.

**DESCRIPTION**

FIG. 1 is a perspective view of a bed according to the invention;  
 FIG. 2 is a front view of a bed showing my new design;  
 FIG. 3 is a rear view thereof;  
 FIG. 4 is a side view thereof;  
 FIG. 5 is side opposite that shown in FIG. 4;  
 FIG. 6 is a top plan view thereof; and,  
 FIG. 7 is a bottom plan view thereof.

The portions of the figures illustrated in broken lines are provided for illustrative purposes only and form no part of the claimed design. Portions of the frieze forming part of the claimed design may include elements of one or more current or prior trademarks of New York Yankees Partnership, Executive Offices; Yankee Stadium, One East 161<sup>st</sup> Street, Bronx, N.Y. 10451.

(56) **References Cited**

U.S. PATENT DOCUMENTS

D165,921 S *	2/1952	Ippolito	.....	D21/520
D403,542 S *	1/1999	Feldstein	.....	D6/503
6,618,878 B1 *	9/2003	McCoy et al.	.....	5/95
D617,574 S *	6/2010	Lake	.....	D6/390

**1 Claim, 7 Drawing Sheets**

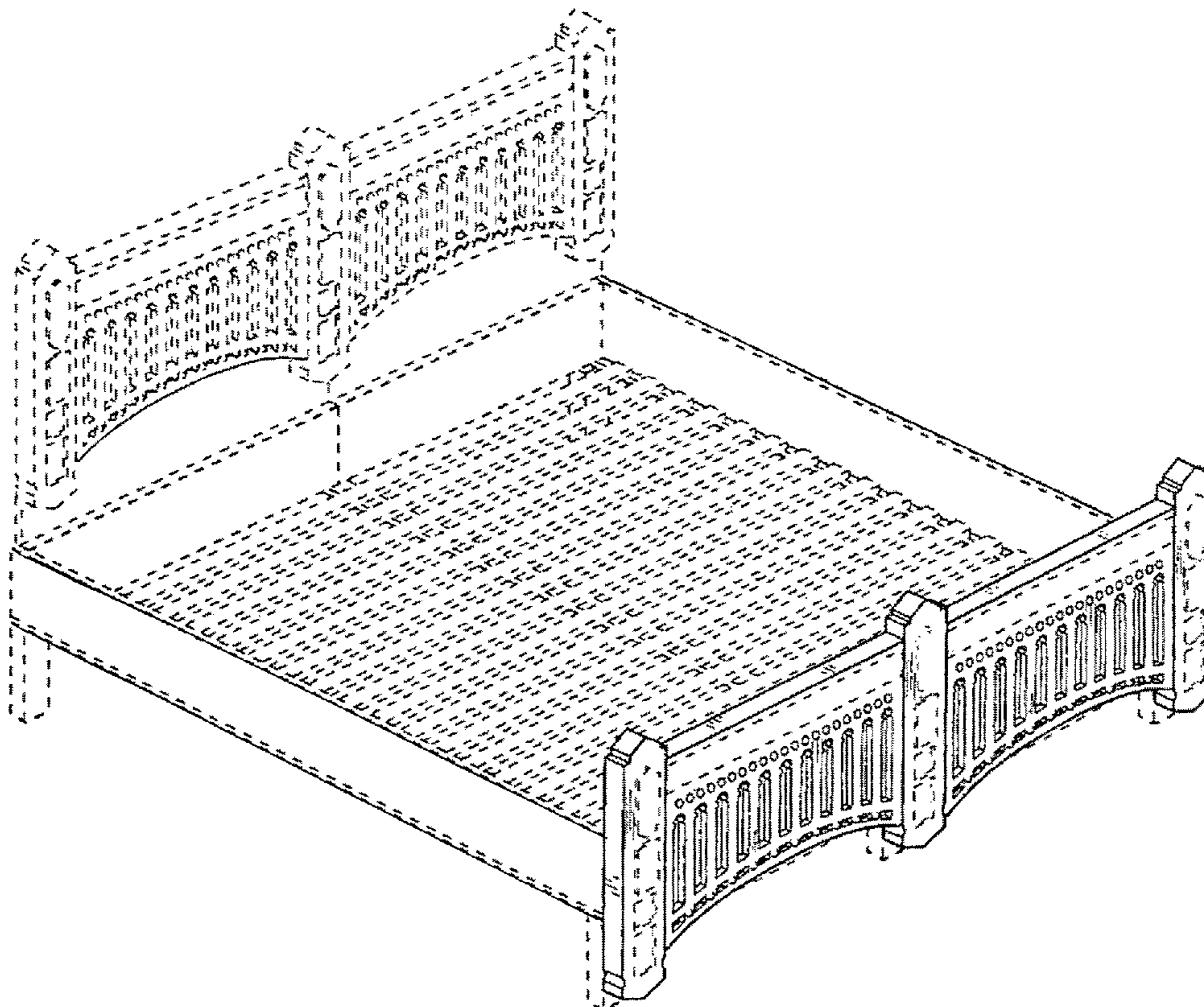


FIG. 1

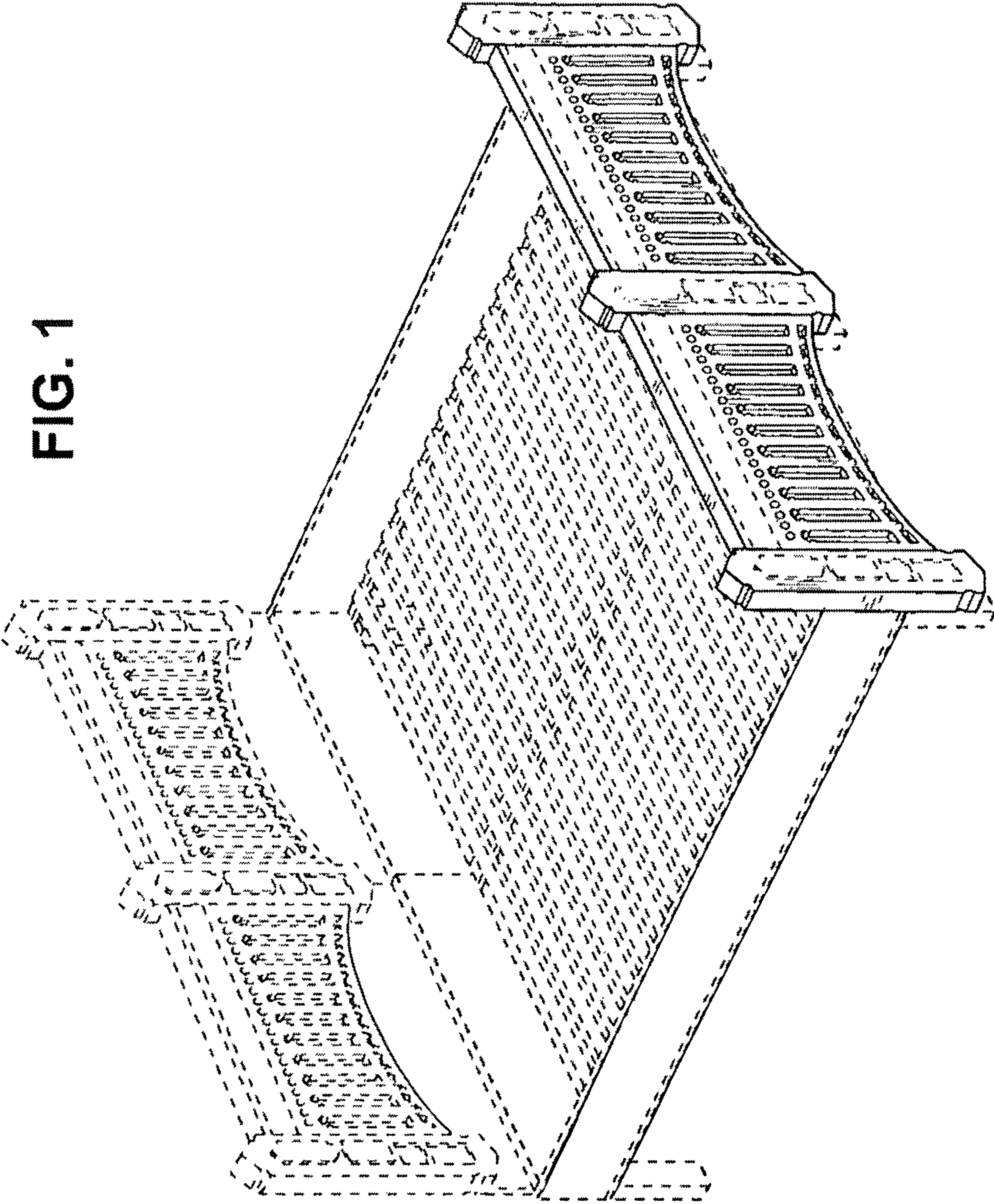


FIG. 2

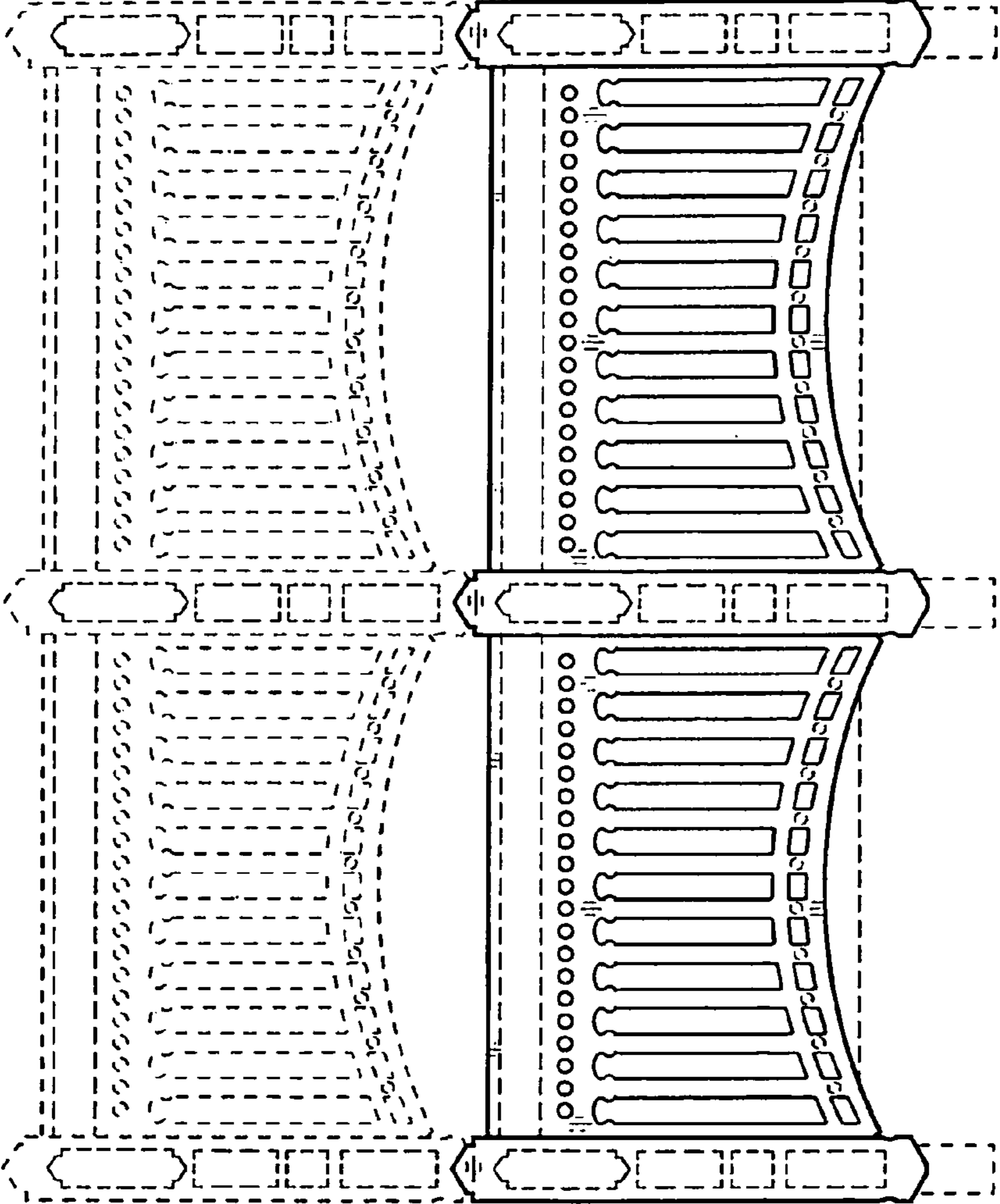


FIG. 3

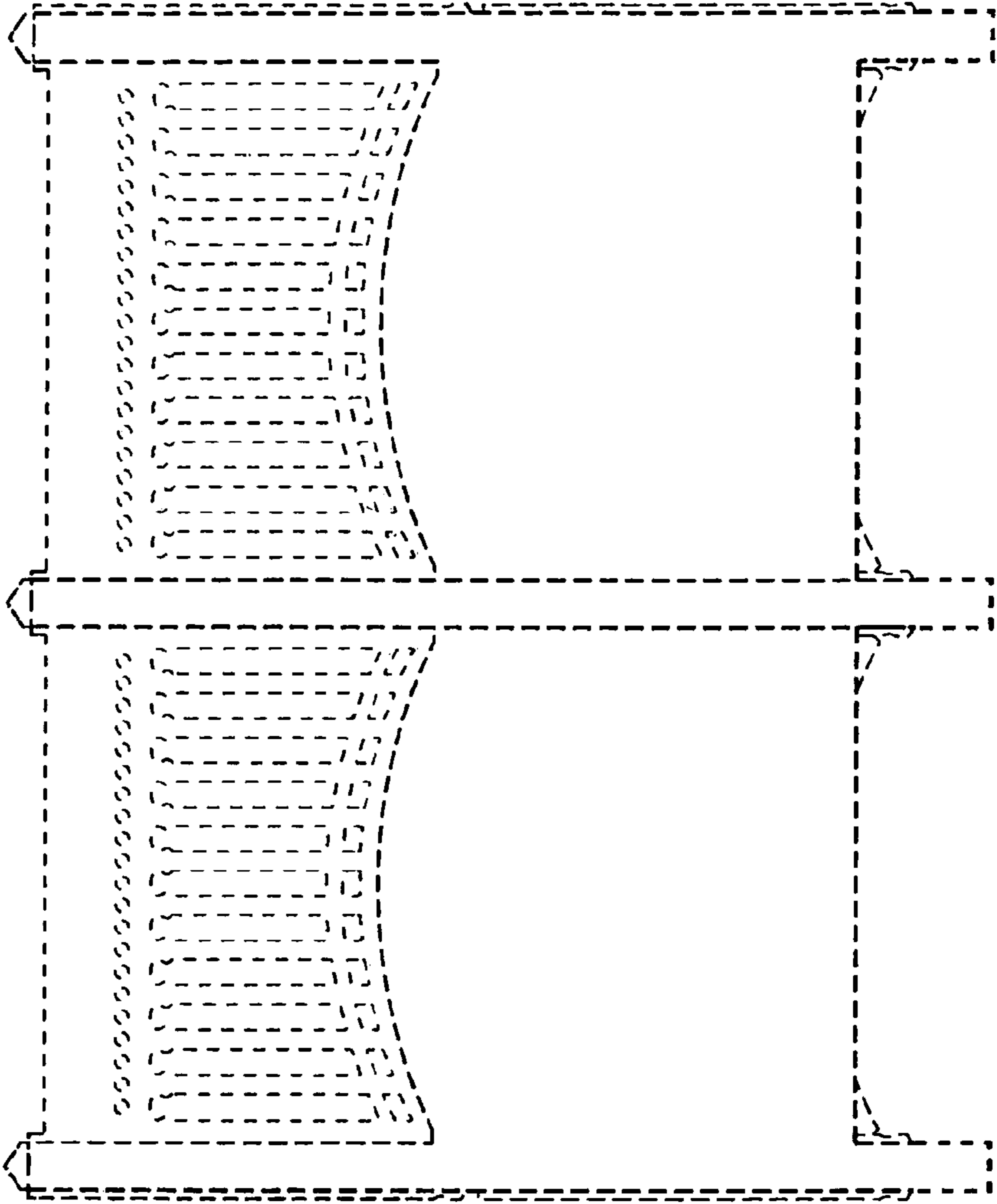


FIG. 4

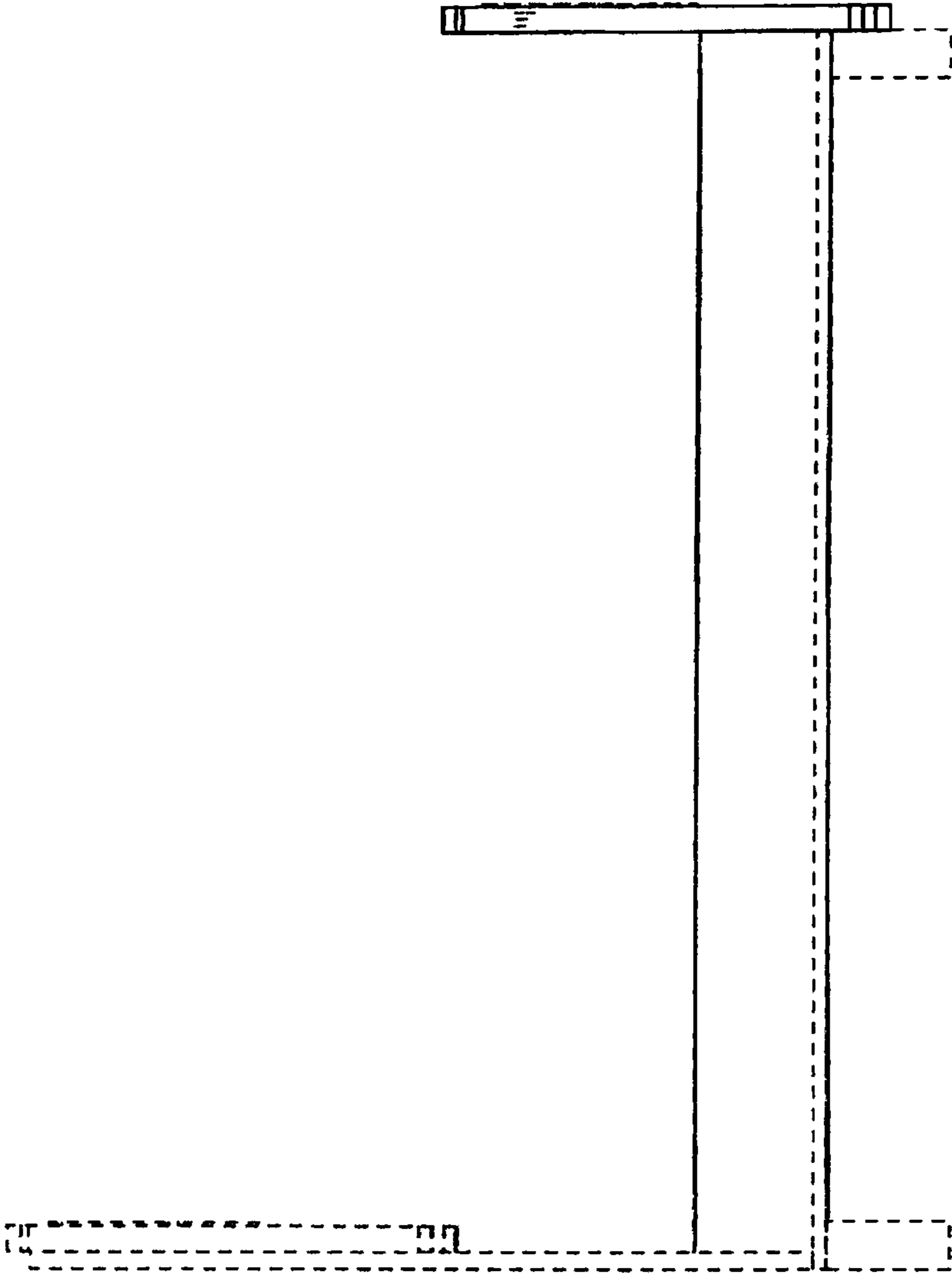
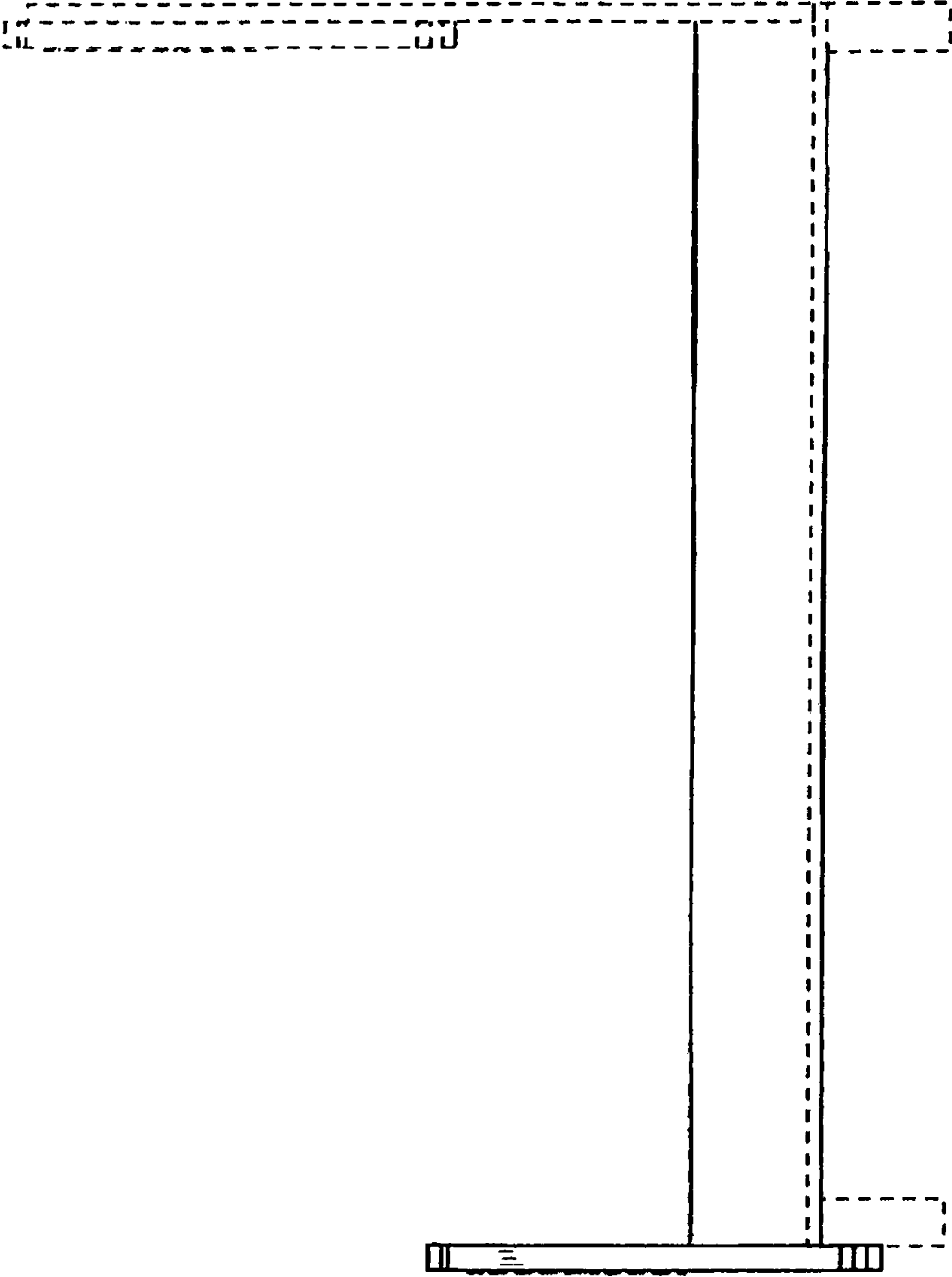


FIG. 5



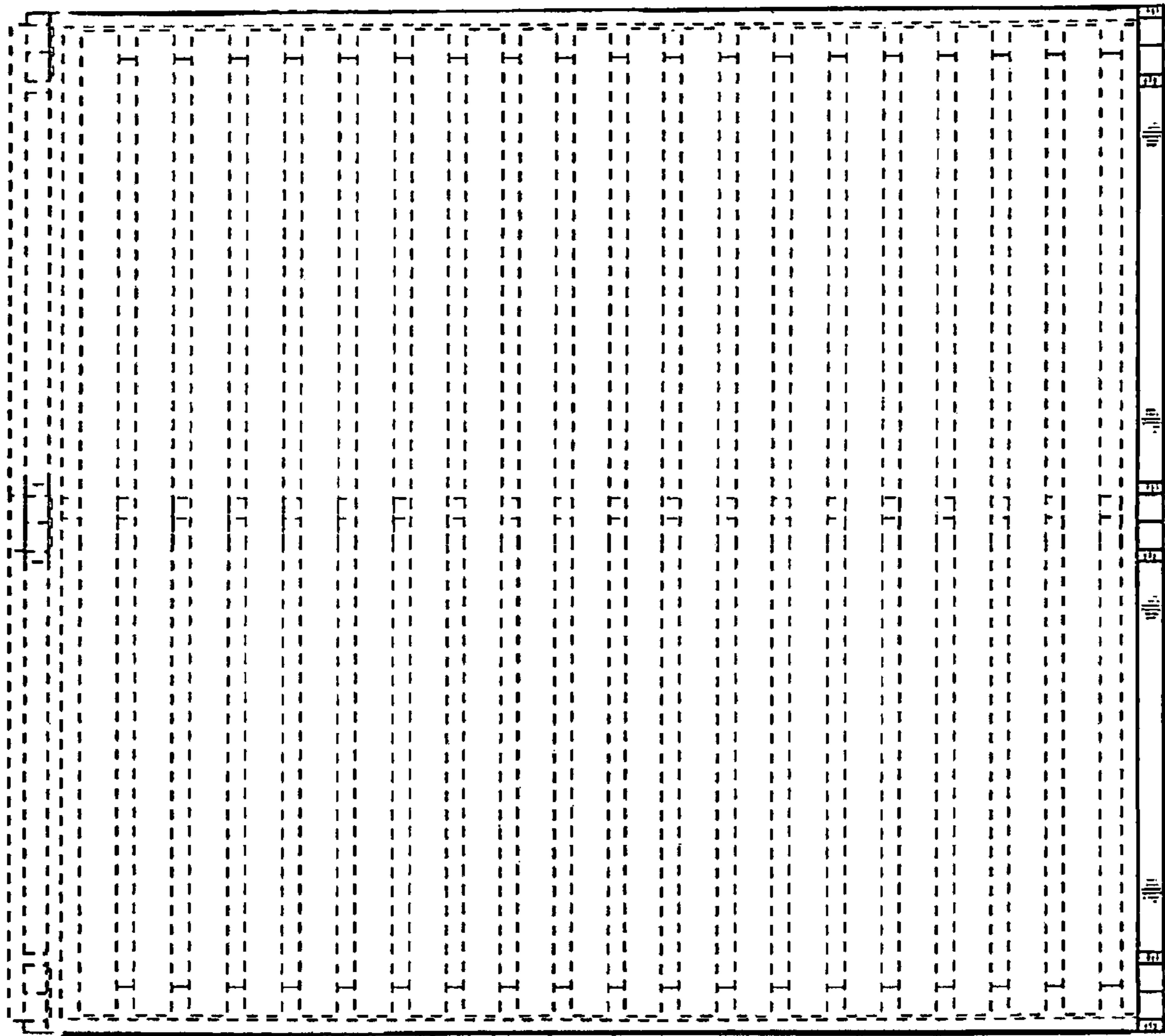


FIG. 6

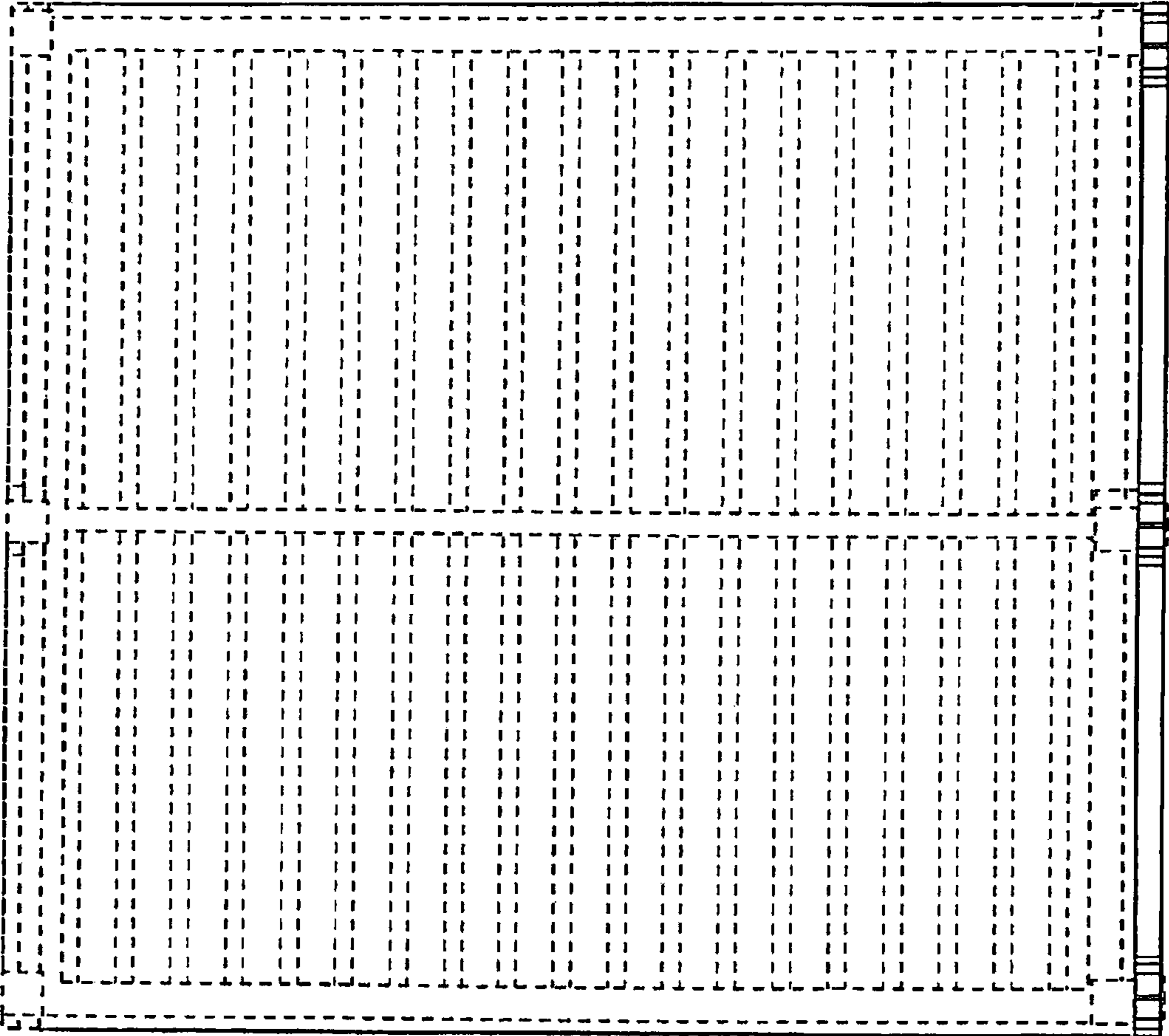


FIG. 7